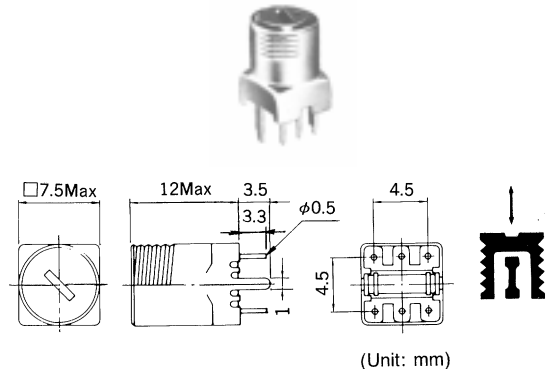


7mm TYPE 7P**Frequency Range:** 200kHz-2MHz**Inductance Range:** 10 μ H-2.6mH**Temperature Coefficient:** Inductor TC (L) 750 \pm 500ppm/ $^{\circ}$ C
With Internal Capacitor TC (F) 0 \pm 250ppm/ $^{\circ}$ C**Internal Capacitance Value:** 150-390pF⁽¹⁾**Features**

- Ideal for use as an AM IFT and in oscillator circuits.
- Unique design features a cup core adjuster, threaded directly into the shield can, allowing the use of larger cores. This produces the superior, large signal characteristics typically associated with 10mm types.



(Unit: mm)

STANDARD COILS SELECTION GUIDE

(1) Cross slit core (Philips type) also available upon request.

TYPE 7P

TOKO Part Number	Inductance Range (μ H)	Turns Ratio		Q (min.)	Test Frequency (MHz)
		1-3/1-2	1-3/4-6		
7BR-151208N2	150 \pm 8%	65:2	65:8	60	1.4
7BR-271208N2	270 \pm 8%	43:1	43:4	60	1.4
7BR-271308N2	270 \pm 8%	86:3	43:4	60	1.4
7BR-331208N2	330 \pm 8%	95:2	95:8	60	1.4
7BR-331308N2	330 \pm 8%	95:3	95:8	60	1.4
7BR-361208N2	360 \pm 8%	50:1	25:2	60	1.4
7BR-361308N2	360 \pm 8%	100:3	25:2	60	1.4
A7BRS-11859Z	100 \pm 6%			50	2.52
A7BRS-T1860Z	120 \pm 6%			80	0.796
A7BRS-T1861Z	150 \pm 6%			80	0.796
A7BRS-T1862Z	180 \pm 6%			80	0.796
A7BRS-T1863Z	220 \pm 6%			80	0.796
A7BRS-T1864Z	270 \pm 6%			85	0.796
A7BRS-T1865Z	330 \pm 6%			90	0.796
A7BRS-T1866Z	390 \pm 6%			90	0.796
A7BRS-T1867Z	470 \pm 6%			90	0.796
A7BRS-T1868Z	560 \pm 6%			100	0.796
A7BRS-T1869Z	680 \pm 6%			100	0.796
A7BRS-T1870Z	820 \pm 6%			100	0.796
A7BRS-T1871Z	1000 \pm 6%			100	0.796

TYPE 7P with Internal Capacitor

TOKO Part Number	Tuning Capacitance (pf)	Turns Ratio		Q (min.)	Test Frequency (kHz)
		1-3/2-3	1-3/4-6		
7LC-252142N0	180+5(ext)	146:37	146:20	70	455
7LC-252203N0	180+5(ext)	146:37	146:3	70	455
7LC-352142N0	180+5(ext)	146:52	146:20	70	455
7LC-352203N0	180+5(ext)	146:52	146:3	70	455
7LC-352353N0	180+5(ext)	146:52	146:5	70	455
7LC-352503N0	180+5(ext)	146:52	146:7	70	455
7LC-352713N0	180+5(ext)	146:52	146:10	70	455
7LC-452503N0	180+5(ext)	146:66	146:7	70	455
7MC-162503N0	180+5(ext)	146:23	146:7	110	455
7MC-202503N0	180+5(ext)	146:29	146:7	110	455
7MC-222162N0	180+5(ext)	146:33	146:23	110	455
7MC-312162N0	180+5(ext)	146:46	146:23	110	455
7MC-402353N0	180+5(ext)	146:58	146:5	110	455
7MC-402503N0	180+5(ext)	146:58	146:7	110	455
7MC-402563N0	180+5(ext)	146:58	146:8	110	455
7MC-452252N0	180+5(ext)	146:66	146:37	110	455
7MC-502503N0	180+5(ext)	146:73	146:7	110	455