

Document No.	853-1511
ECN No.	00733
Date of Issue	October 17, 1990
Status	Product Specification
ACL Products	

74AC/ACT11898

10-bit serial-in parallel-out shift register

FEATURES

- Gated serial data inputs
- Fully buffered clock and data inputs
- Fully synchronous data transfers
- Typical shift frequency of 100MHz
- Asynchronous master reset
- Output capability: $\pm 24\text{mA}$
- CMOS (AC) and TTL (ACT) voltage level inputs
- 50 Ω incident wave switching
- Center-pin V_{CC} and ground configuration to minimize high-speed switching noise
- I_{CC} category: MSI

DESCRIPTION

The 74AC/ACT11898 high-performance CMOS devices combine very high speed and high output drive comparable to the most advanced TTL families.

The 74AC/ACT11898 10-bit Serial-In Parallel-Out Shift Register is an edge-triggered shift register with serial data entry and an output from each of the 10 stages. Data is entered serially through one of two inputs (A • B); either input

(continued)

QUICK REFERENCE DATA

SYMBOL	PARAMETER	CONDITIONS $T_{amb} = 25^{\circ}\text{C}; \text{GND} = 0\text{V};$ $V_{CC} = 5.0\text{V}$	TYPICAL		UNIT
			AC	ACT	
t_{PLH}/t_{PHL}	Propagation delay CP to Q_n ($\overline{\text{MR}} = \text{High}$)	$C_L = 50\text{pF}$	5.9	6.9	ns
C_{PD}	Power dissipation capacitance ¹	$f = 1\text{MHz}; C_L = 50\text{pF}$	122	117	pF
C_{IN}	Input capacitance	$V_I = 0\text{V}$ or V_{CC}	4.0	4.0	pF
I_{LATCH}	Latch-up current	Per JEDEC JC40.2 Standard 17	500	500	mA
f_{MAX}	Maximum clock frequency	$C_L = 50\text{pF}$	100	100	MHz

Note:

1. C_{PD} is used to determine the dynamic power dissipation (P_D in μW):

$$P_D = C_{PD} \times V_{CC}^2 \times f_i + \sum (C_L \times V_{CC}^2 \times f_o)$$

f_i = input frequency in MHz, C_L = output load capacitance in pF,

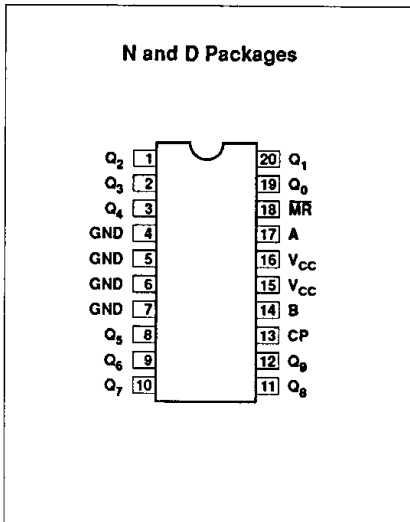
f_o = output frequency in MHz, V_{CC} = supply voltage in V,

$\sum (C_L \times V_{CC}^2 \times f_o)$ = sum of outputs

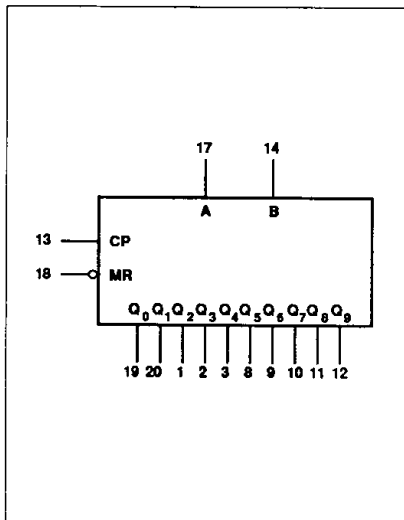
ORDERING INFORMATION

PACKAGES	TEMPERATURE RANGE	ORDER CODE
20-pin plastic DIP (300mil-wide)	-40°C to +85°C	74AC11898N 74ACT11898N
20-pin plastic SOL (300mil-wide)	-40°C to +85°C	74AC11898D 74ACT11898D

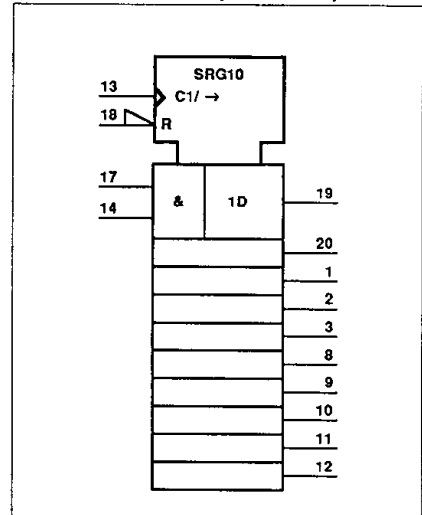
PIN CONFIGURATION



LOGIC SYMBOL



LOGIC SYMBOL (IEEE/IEC)



10-bit serial-in parallel-out shift register

74AC/ACT11898

can be used as an active-High enable for data entry through the other input. Otherwise both inputs must be connected to the input data or an unused input must be tied High.

Data shifts one place to the right on each Low-to-High transition of the Clock (CP) input and enters the logical AND of the two inputs (A • B) that existed one setup time before the rising clock edge

into Q₀. A Low level on the Master Reset (\overline{MR}) input overrides all other inputs and clears the register asynchronously, forcing all outputs Low.

PIN DESCRIPTION

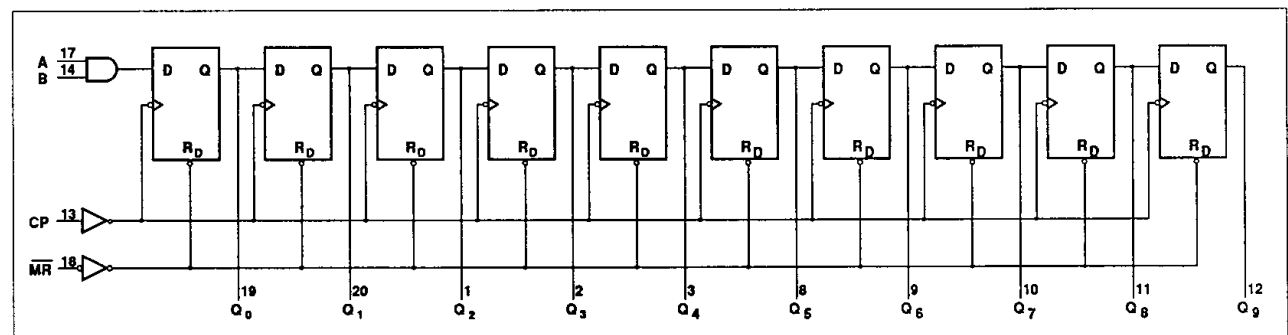
PIN NUMBER	SYMBOL	NAME AND FUNCTION
18	\overline{MR}	Asynchronous master reset (active Low)
13	CP	Clock input (Low-to-High, edge-triggered)
17, 14	A, B	Data inputs
19, 20, 1, 2, 3, 8, 9, 10, 11, 12	Q ₀ - Q ₉	Parallel outputs outputs
4, 5, 6, 7	GND	Ground (0V)
15, 16	V _{CC}	Positive supply voltage

FUNCTION TABLE

OPERATING MODE	INPUTS				OUTPUTS			
	\overline{MR}	CP	A	B	Q ₀	Q ₁	Q ₉	
Reset (clear)	L	X	X	X	L	L	L	
Shift	H	↑	l	l	L	q ₀	q ₉	
	H	↑	l	h	L	q ₀	q ₉	
	H	↑	h	l	L	q ₀	q ₉	
	H	↑	h	h	H	q ₀	q ₉	

H = High voltage level
 L = Low voltage level
 h = High voltage level one setup time prior to the Low-to-High clock transition
 l = Low voltage level one setup time prior to the Low-to-High clock transition
 X = Don't care
 q_n = State of the referenced input (or output) one setup time prior to the Low-to-High clock transition
 ↑ = Low-to-High clock transition

LOGIC DIAGRAM



10-bit serial-in parallel-out shift register

74AC/ACT11898

RECOMMENDED OPERATING CONDITIONS

SYMBOL	PARAMETER	74AC11898			74ACT11898			UNIT
		Min	Nom	Max	Min	Nom	Max	
V_{CC}	DC supply voltage	3.0 ¹	5.0	5.5	4.5	5.0	5.5	V
V_I	Input voltage	0		V_{CC}	0		V_{CC}	V
V_O	Output voltage	0		V_{CC}	0		V_{CC}	V
$\Delta I/\Delta V$	Input transition rise or fall rate	0		10	0		10	ns/V
T_{amb}	Operating free-air temperature range	-40		+85	-40		+85	°C

NOTE:

- No electrical or switching characteristics are specified at $V_{CC} < 3V$. Operation between 2V and 3V is not recommended, but within that range, a device output will maintain a previously established logic state.

ABSOLUTE MAXIMUM RATINGS¹

SYMBOL	PARAMETER	TEST CONDITIONS	RATING	UNIT
V_{CC}	DC supply voltage		-0.5 TO +7.0	V
I_{IK} or V_I	DC input diode current ²	$V_I < 0$	-20	mA
		$V_I > V_{CC}$	20	
	DC input voltage		-0.5 to $V_{CC} + 0.5$	V
I_{OK} or V_O	DC output diode current ²	$V_O < 0$	-50	mA
		$V_O > V_{CC}$	50	
	DC output voltage		-0.5 to $V_{CC} + 0.5$	V
I_O	DC output source or sink current per output pin	$V_O = 0$ to V_{CC}	± 50	mA
I_{CC} or I_{GND}	DC V_{CC} current		± 250	mA
	DC ground current		± 250	
T_{STG}	Storage temperature		-65 to 150	°C
P_{TOT}	Power dissipation per package	Above 70°C; derate linearly by 8mW/K	500	mW
	Power dissipation per package Plastic surface mount (SO)	Above 70°C; derate linearly by 8mW/K	400	mW

NOTES:

- Stresses beyond those listed may cause permanent damage to the device. These are stress ratings only and functional operation of the device at these or any other conditions beyond those indicated under "recommended operating conditions" is not implied. Exposure to absolute-maximum-rated conditions for extended periods may affect device reliability.
- The input and output voltage ratings may be exceeded if the input and output current ratings are observed.

10-bit serial-in parallel-out shift register

74AC/ACT11898

DC ELECTRICAL CHARACTERISTICS

SYMBOL	PARAMETER	TEST CONDITIONS	V _{CC}	74AC11898				74ACT11898				UNIT	
				T _{amb} = +25°C		T _{amb} = -40°C to +85°C		T _{amb} = +25°C		T _{amb} = -40°C to +85°C			
				Min	Max	Min	Max	Min	Max	Min	Max		
V _{IH}	High-level input voltage		3.0	2.10		2.10						V	
			4.5	3.15		3.15		2.0		2.0			
			5.5	3.85		3.85		2.0		2.0			
V _{IL}	Low-level input voltage		3.0		0.90		0.90					V	
			4.5		1.35		1.35		0.8		0.8		
			5.5		1.65		1.65		0.8		0.8		
V _{OH}	High-level output voltage	V _I = V _{IL} or V _{IH}	I _{OH} = -50μA	3.0	2.9		2.9					V	
				4.5	4.4		4.4		4.4		4.4		
				5.5	5.4		5.4		5.4		5.4		
			I _{OH} = -4mA	3.0	2.58		2.48						
				4.5	3.94		3.8		3.94		3.8		
				5.5	4.94		4.8		4.94		4.8		
				I _{OH} = -75mA ¹	5.5			3.85					3.85
V _{OL}	Low-level output voltage	V _I = V _{IL} or V _{IH}	I _{OL} = 50μA	3.0		0.1		0.1				V	
				4.5		0.1		0.1		0.1			0.1
				5.5		0.1		0.1		0.1			0.1
			I _{OL} = 12mA	3.0		0.36		0.44					
				4.5		0.36		0.44		0.36			0.44
				5.5		0.36		0.44		0.36			0.44
				I _{OL} = 75mA ¹	5.5				1.65				
I _I	Input leakage current	V _I = V _{CC} or GND	5.5		±0.1		±1.0		±0.1		±1.0	μA	
I _{CC}	Quiescent supply current	V _I = V _{CC} or GND, I _O = 0mA	5.5		8.0		80		8.0		80	μA	
ΔI _{CC}	Supply current, TTL inputs High ²	One input at 3.4V, other inputs at V _{CC} or GND	5.5						0.9		1.0	mA	

NOTES:

- Not more than one output should be tested at a time, and the duration of the test should not exceed 10ms.
- This is the increase in supply current for each input that is at one of the specified TTL voltage levels rather than 0V or V_{CC}.

10-bit serial-in parallel-out shift register

74AC/ACT11898

AC ELECTRICAL CHARACTERISTICS AT 3.3V $\pm 0.3V$

SYMBOL	PARAMETER	WAVEFORM	74AC11898					UNIT
			T _{amb} = +25°C			T _{amb} = -40°C to +85°C		
			Min	Typ	Max	Min	Max	
f _{MAX}	Maximum clock frequency	1	40	65		40		MHz
t _{PLH} t _{PHL}	Propagation delay CP to Q _n	1	3.3 3.9	8.1 8.8	9.8 10.5	3.3 3.9	10.8 11.5	ns
t _{PHL}	Propagation delay \overline{MR} to Q _n	2	4.1	9.3	11.2	4.1	12.3	ns
t _S	Setup time, High or Low A, B to CP	3	14.0			14.0		ns
t _H	Hold time, High or Low A, B to CP	3	0.0			0.0		ns
t _W	Clock pulse width (shift) High or Low	1	12.5			12.5		ns
t _W	\overline{MR} pulse width, Low	2	4.0			4.0		ns
t _{REC}	Recovery time \overline{MR} to CP	2	1.5			1.5		ns

AC ELECTRICAL CHARACTERISTICS AT 5.0V $\pm 0.5V$

SYMBOL	PARAMETER	WAVEFORM	74AC11898					UNIT
			T _{amb} = +25°C			T _{amb} = -40°C to +85°C		
			Min	Typ	Max	Min	Max	
f _{MAX}	Maximum clock frequency	1	75	100		75		MHz
t _{PLH} t _{PHL}	Propagation delay CP to Q _n	1	2.7 3.1	5.5 6.3	7.4 8.3	2.7 3.1	8.1 9.0	ns
t _{PHL}	Propagation delay \overline{MR} to Q _n	2	3.8	6.7	8.6	3.8	9.4	ns
t _S	Setup time, High or Low A, B to CP	3	8.5			8.5		ns
t _H	Hold time, High or Low A, B to CP	3	0.0			0.0		ns
t _W	Clock pulse width (shift) High or Low	1	6.7			6.7		ns
t _W	\overline{MR} pulse width, Low	2	4.0			4.0		ns
t _{REC}	Recovery time \overline{MR} to CP	2	1.5			1.5		ns

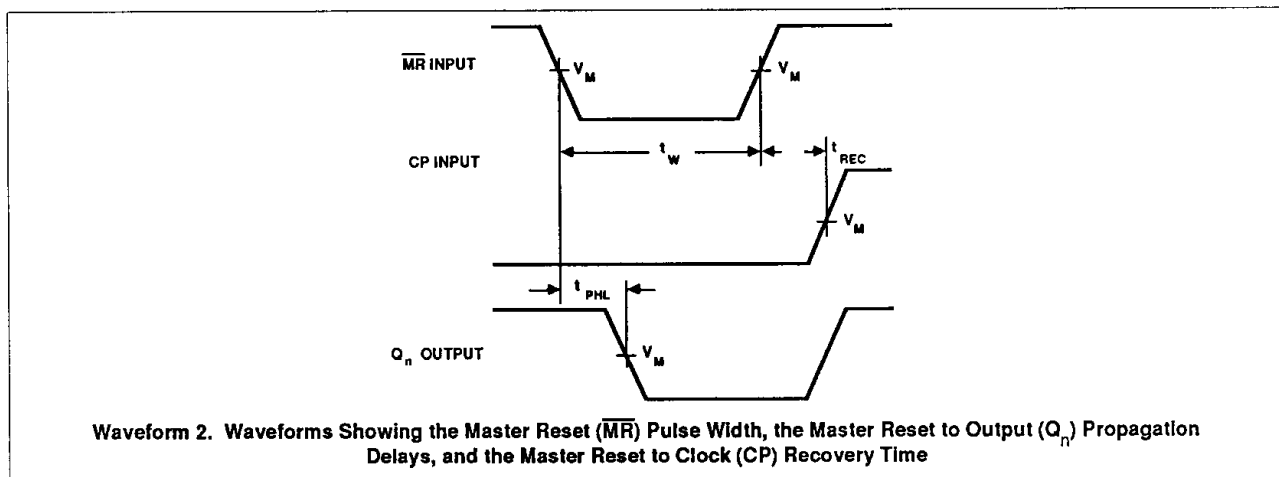
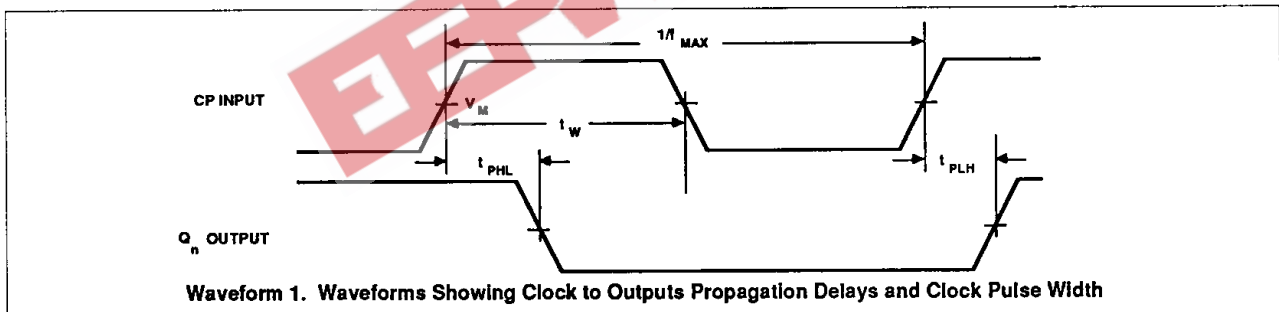
10-bit serial-in parallel-out shift register

74AC/ACT11898

AC ELECTRICAL CHARACTERISTICS AT 5.0V ±0.5V

SYMBOL	PARAMETER	WAVEFORM	74ACT11898					UNIT
			T _{amb} = +25°C			T _{amb} = -40°C to +85°C		
			Min	Typ	Max	Min	Max	
f _{MAX}	Maximum clock frequency	1	75	100		75		MHz
t _{PLH} t _{PHL}	Propagation delay CP to Q _n	1	4.1 4.4	6.5 7.2	8.0 8.8	4.1 4.4	8.8 9.6	ns
t _{PHL}	Propagation delay \overline{MR} to Q _n	2	4.6	8.0	10.3	4.6	11.3	ns
t _S	Setup time, High or Low A, B to CP	3	9.5			9.5		ns
t _H	Hold time, High or Low A, B to CP	3	0.0			0.0		ns
t _W	Clock pulse width (shift) High or Low	1	6.7			6.7		ns
t _W	\overline{MR} pulse width, Low	2	4.5			4.5		ns
t _{REC}	Recovery time \overline{MR} to CP	2	1.5			1.5		ns

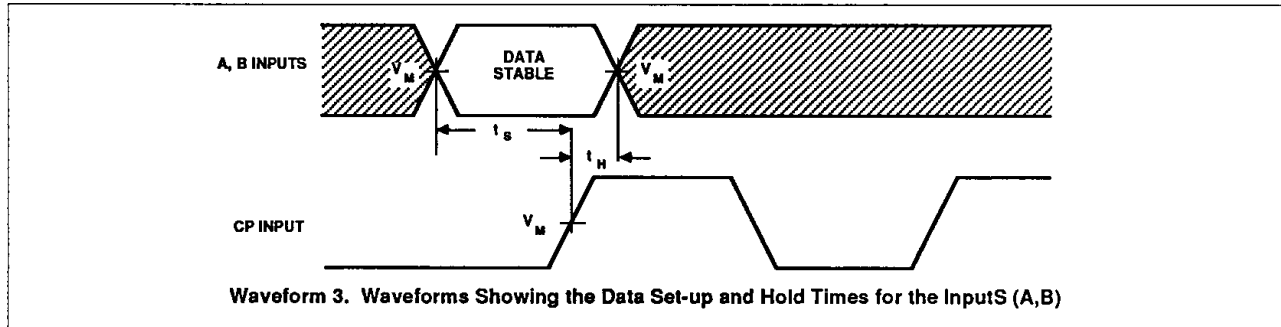
AC WAVEFORMS



10-bit serial-in parallel-out shift register

74AC/ACT11898

AC WAVEFORMS (Continued)



WAVEFORM CONDITIONS

	INPUTS	OUTPUTS
AC	$V_{IN} = \text{GND to } V_{CC}$ $V_M = 50\% V_{CC}$	$V_{OUT} = V_{OL} \text{ to } V_{OH}$
ACT	$V_{IN} = \text{GND to } 3.0V$ $V_M = 1.5V$	$V_M = 50\% V_{CC}$

TEST CIRCUIT

