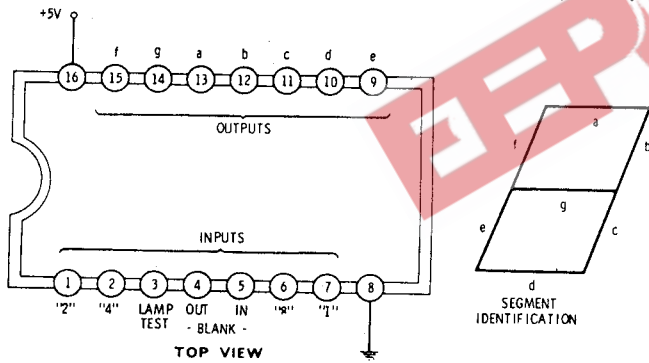


7447

BCD TO 7-SEGMENT DECODER-DRIVER (Low=on, 40-mA, 30-Volt Outputs)



This package accepts a 1-2-4-8 positive-logic Binary Coded Decimal input and converts it to the proper pattern to light a 7-segment display. A low output is intended to light the segment.

The outputs can sink 40 milliamperes in the low state and can withstand 30 volts in the high state. Note that the supply must remain at +5 volts. An output-high state can be obtained only if a display device or resistor pulls the output to some positive voltage less than 30 volts.

Current-limiting resistors, typically 330 ohms, must be used when driving a light emitting diode display with this package. Incandescent or fluorescent readouts can be directly driven.

The Lamp Test input should remain high. Bringing the Lamp Test to ground simultaneously brings all the outputs to ground.

A low on the Blanking input will extinguish only character "0." A low on the Blanking output is provided to extinguish the character "0" of the next stage if leading-edge blanking is desired.

A low on the Blanking output will extinguish the display. It is permissible to short this output to ground.

- Propagation delay 45 nanoseconds
- Current per package 43 milliamperes

電子產品世界
www.eepw.com.cn