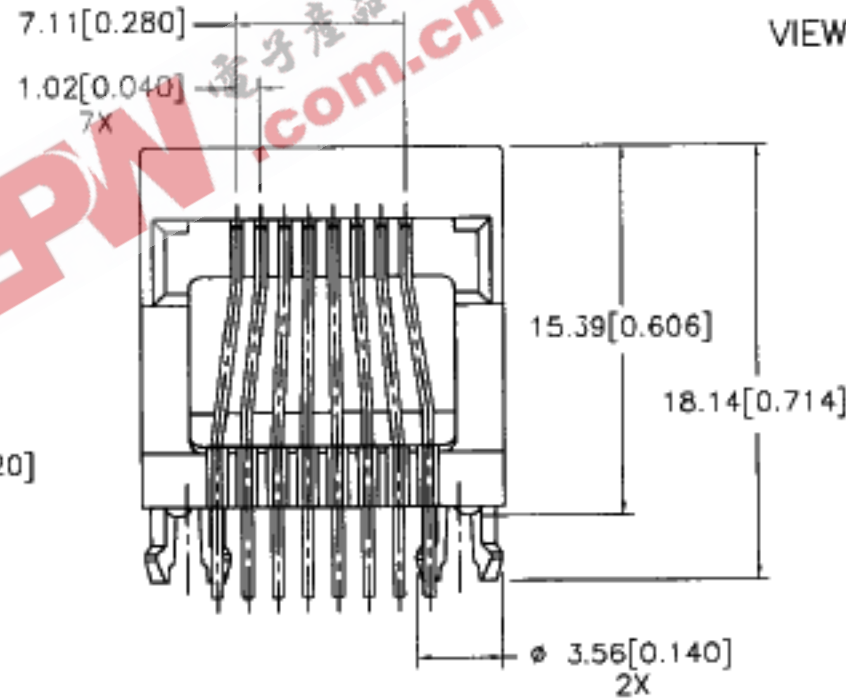
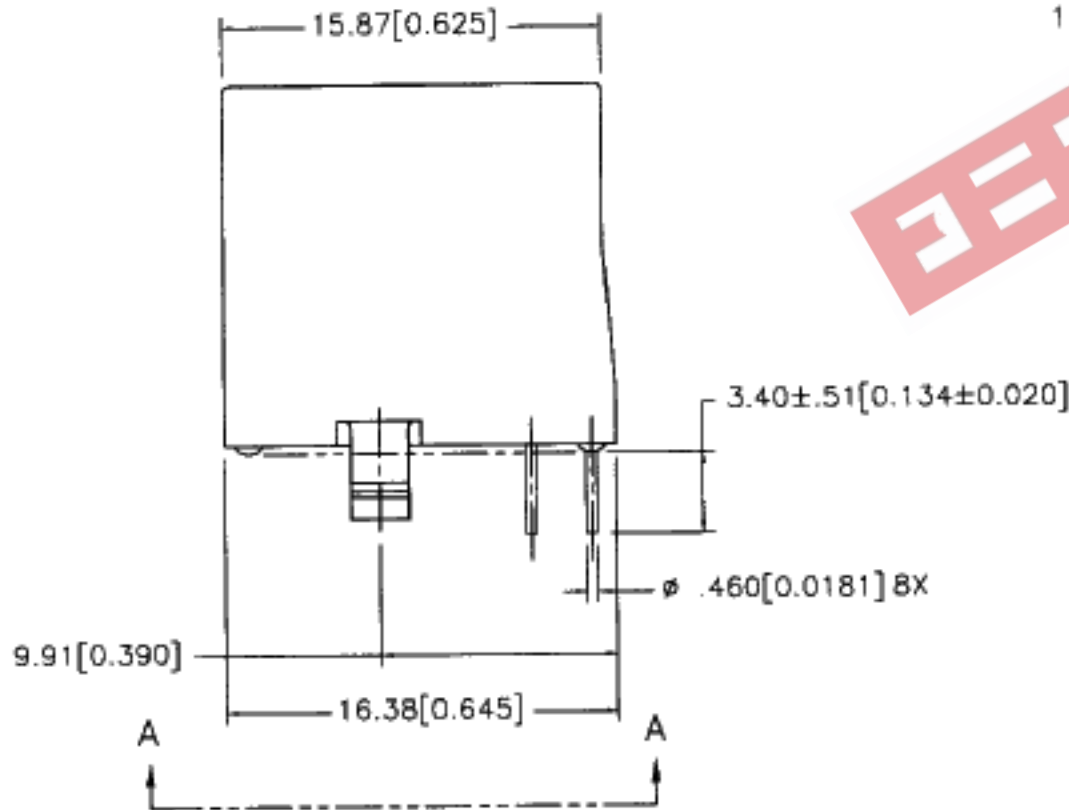
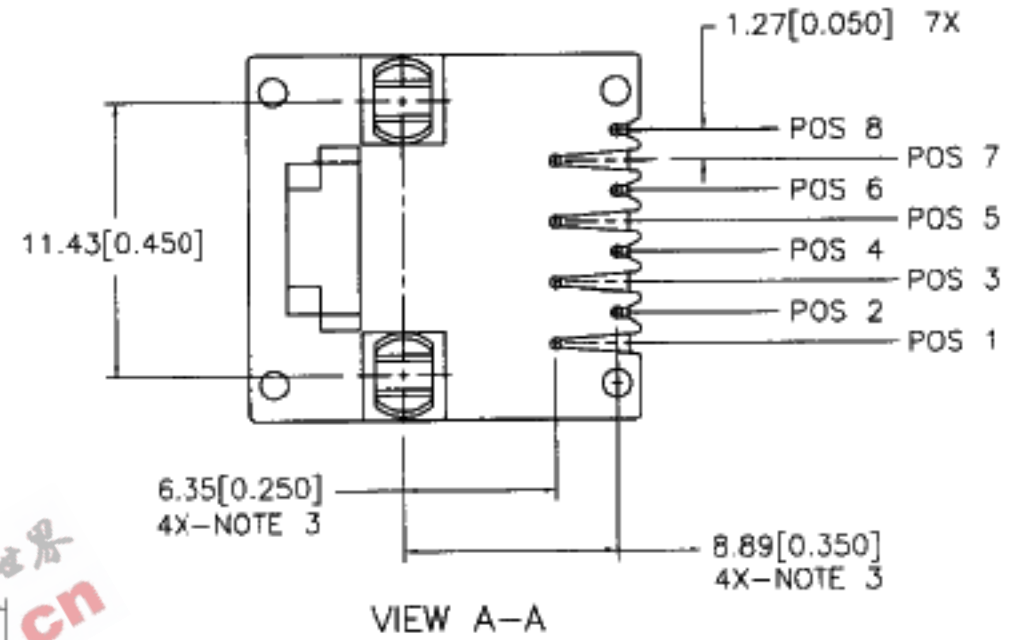
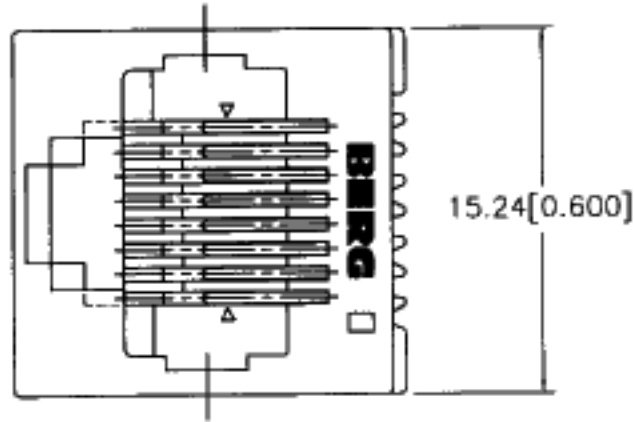


Tous droits strictement reserves. Reproduction ou communication a des tiers interdite sous quelque forme que ce soit sans autorisation écrite du propriétaire. Propriete de ©BERG ELECTRONICS. Droits de reproduction BERG ELECTRONICS INC.

All rights strictly reserved. Reproduction or issue to third parties in any form whatever is not permitted without written authority from the proprietor. Property of ©BERG ELECTRONICS Copyright BERG ELECTRONICS INC.

PRODUCT NO.
SEE TABLE



mat'l. code				tolerances unless otherwise specified		CUSTOMER COPY		BERG ELECTRONICS	
ltr	ecn no	dr	date	linear	.x±.3/.xx±.01	projection	title 8 POS VERT. SNAP PEG P.C.B. III MOD JACK ASSY		
A	V71534	GAH	10/30/97		.xx±.13/.xxx±.005	mm/INCH	product family MOD JACK code -		
B	V80048	BWN	1/13/98	angles	.xxx±.051/.xxxx±.0020		scale	size dwg no	
C	V80394	BWN	3/9/98		0±2'	1:1	A4 74268		sheet 1 of 2
D	V81208	GAH	6/30/98	dr	C. HULL 10/13/97		cage code		
				engr	B. NAREHOOD 10/13/97		22526		
				chr	B. NAREHOOD 10/13/97				
				appd	J. SPICKLER 10/13/97				
sheet index	revision sheet	D 1	Θ 2						

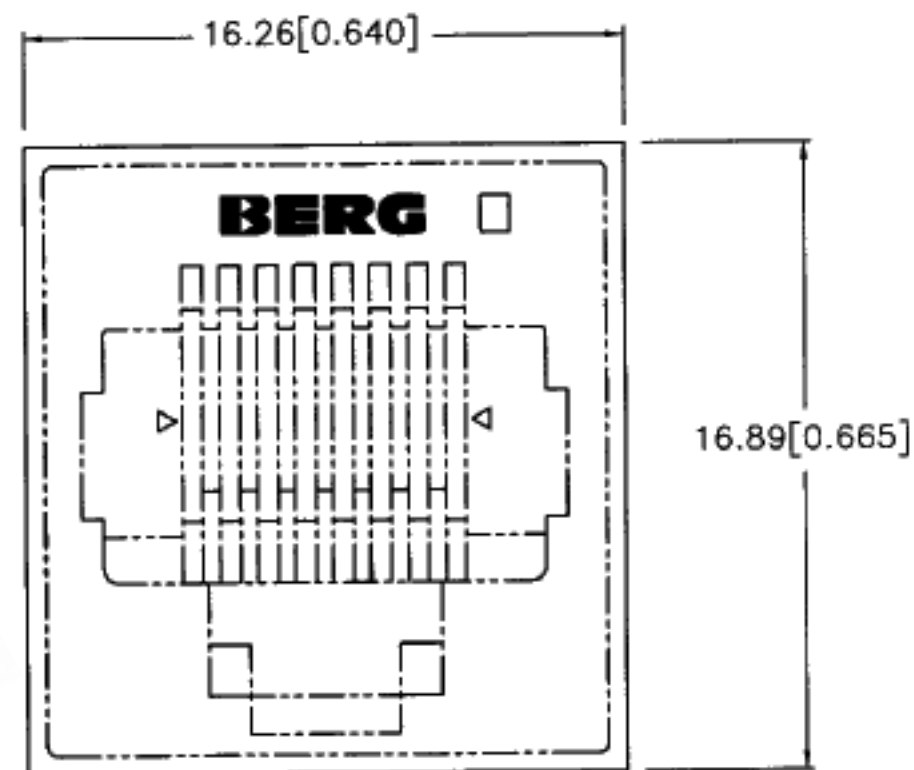
Tous droits strictement reserves. Reproduction ou communication a des tiers interdite sous quelque forme que ce soit sans autorisation écrite du propriétaire. Propriete de ©BERG ELECTRONICS. Droits de reproduction BERG ELECTRONICS INC.

BERG
ELECTRONICS

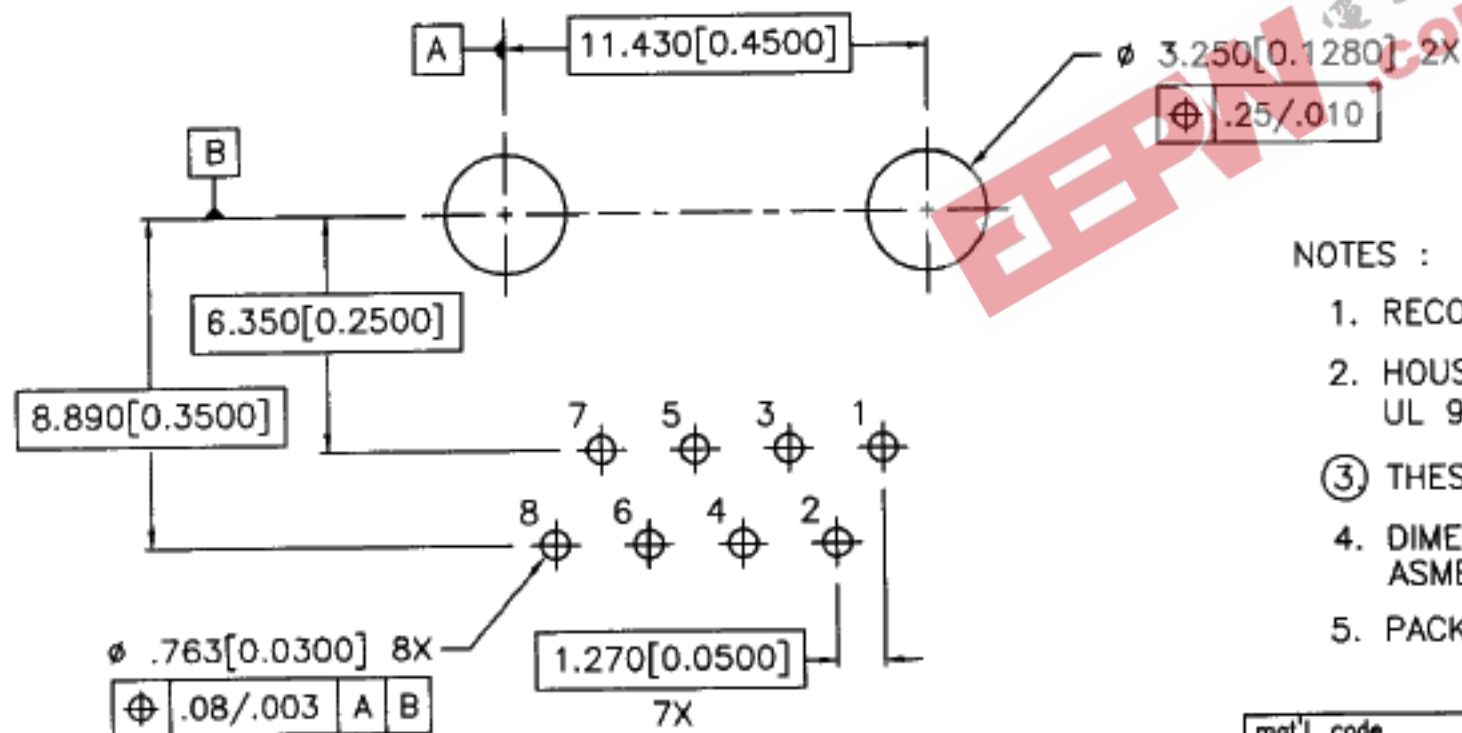
All rights strictly reserved. Reproduction or issue to third parties in any form whatever is not permitted without written authority from the proprietor. Property of ©BERG ELECTRONICS Copyright BERG ELECTRONICS INC.

PRODUCT NO	POSITIONS LOADED
74268-X01	ALL

PLATING CODE "X"	CONTACT PLATING
0	30u"/.76uM GXT
3	30u"/.76uM Au
5	50u"/1.27uM Au



RECOMMENDED PANEL CUTOUT



RECOMMENDED PCB LAYOUT
AS VIEWED FROM TOP SIDE (COMPONENT SIDE)

NOTES :

1. RECOMMENDED PCB THICKNESS 1.57 [0.062].
2. HOUSING MATL.: HIGH TEMPERATURE THERMOPLASTIC MATERIAL. UL 94V-0, COLOR BLACK.
- ③ THESE DIMENSIONS ARE TAKEN FROM THE TOP OF THE PEG.
4. DIMENSIONS AND TOLERANCES ARE IN ACCORDANCE WITH ASME Y14.5M 1994.
5. PACKAGE IN TUBES.

mat'l. code		tolerances unless otherwise specified		CUSTOMER COPY		BERG ELECTRONICS	
ltr	ecr no	dr	date	linear	.XX±.13/.XXX±.005	projection	title
B				angles	.XXX±.051/.XXX±.0020		8 POS VERT. SNAP PEG P.C.B. III MOD JACK ASSY
				dr	G. HULL 10/13/97	mm/INCH	product family MOD JACK
				enr	B. NAREHOOD 10/13/97	scale	code
				chr	B. NAREHOOD 10/13/97	1:1	size
				appd	B. NAREHOOD 10/13/97		dwg no
sheet index	revision sheet						74268
							sheet 2 of
							cage code
							22526