

7mm TYPE 7P

Frequency Range: 200kHz-2MHz

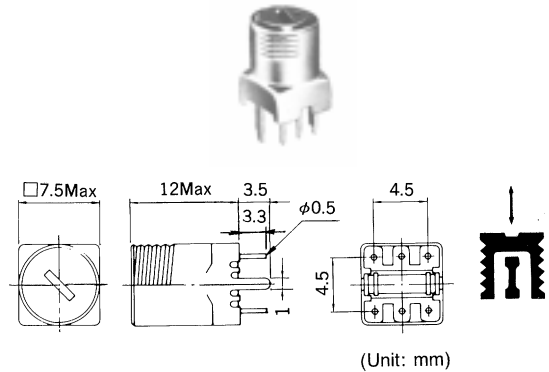
Inductance Range: 10 μ H-2.6mH

Temperature Coefficient: Inductor TC (L) 750 \pm 500ppm/ $^{\circ}$ C
 With Internal Capacitor TC (F) 0 \pm 250ppm/ $^{\circ}$ C

Internal Capacitance Value: 150-390pF⁽¹⁾

Features

- Ideal for use as an AM IFT and in oscillator circuits.
- Unique design features a cup core adjuster, threaded directly into the shield can, allowing the use of larger cores. This produces the superior, large signal characteristics typically associated with 10mm types.



STANDARD COILS SELECTION GUIDE

(1) Cross slit core (Philips type) also available upon request.

TYPE 7P

TOKO Part Number	Inductance Range (μ H)	Turns Ratio		Q (min.)	Test Frequency (MHz)
		1-3/1-2	1-3/4-6		
7BR-151208N2	150 \pm 8%	65:2	65:8	60	1.4
7BR-271208N2	270 \pm 8%	43:1	43:4	60	1.4
7BR-271308N2	270 \pm 8%	86:3	43:4	60	1.4
7BR-331208N2	330 \pm 8%	95:2	95:8	60	1.4
7BR-331308N2	330 \pm 8%	95:3	95:8	60	1.4
7BR-361208N2	360 \pm 8%	50:1	25:2	60	1.4
7BR-361308N2	360 \pm 8%	100:3	25:2	60	1.4
A7BRS-11859Z	100 \pm 6%			50	2.52
A7BRS-T1860Z	120 \pm 6%			80	0.796
A7BRS-T1861Z	150 \pm 6%			80	0.796
A7BRS-T1862Z	180 \pm 6%			80	0.796
A7BRS-T1863Z	220 \pm 6%			80	0.796
A7BRS-T1864Z	270 \pm 6%			85	0.796
A7BRS-T1865Z	330 \pm 6%			90	0.796
A7BRS-T1866Z	390 \pm 6%			90	0.796
A7BRS-T1867Z	470 \pm 6%			90	0.796
A7BRS-T1868Z	560 \pm 6%			100	0.796
A7BRS-T1869Z	680 \pm 6%			100	0.796
A7BRS-T1870Z	820 \pm 6%			100	0.796
A7BRS-T1871Z	1000 \pm 6%			100	0.796

TYPE 7P with Internal Capacitor

TOKO Part Number	Tuning Capacitance (pf)	Turns Ratio		Q (min.)	Test Frequency (kHz)
		1-3/2-3	1-3/4-6		
7LC-252142N0	180+5(ext)	146:37	146:20	70	455
7LC-252203N0	180+5(ext)	146:37	146:3	70	455
7LC-352142N0	180+5(ext)	146:52	146:20	70	455
7LC-352203N0	180+5(ext)	146:52	146:3	70	455
7LC-352353N0	180+5(ext)	146:52	146:5	70	455
7LC-352503N0	180+5(ext)	146:52	146:7	70	455
7LC-352713N0	180+5(ext)	146:52	146:10	70	455
7LC-452503N0	180+5(ext)	146:66	146:7	70	455
7MC-162503N0	180+5(ext)	146:23	146:7	110	455
7MC-202503N0	180+5(ext)	146:29	146:7	110	455
7MC-222162N0	180+5(ext)	146:33	146:23	110	455
7MC-312162N0	180+5(ext)	146:46	146:23	110	455
7MC-402353N0	180+5(ext)	146:58	146:5	110	455
7MC-402503N0	180+5(ext)	146:58	146:7	110	455
7MC-402563N0	180+5(ext)	146:58	146:8	110	455
7MC-452252N0	180+5(ext)	146:66	146:37	110	455
7MC-502503N0	180+5(ext)	146:73	146:7	110	455