

## 54F/74F245 Octal Bidirectional Transceiver with TRI-STATE® Outputs

### General Description

The 'F245 contains eight non-inverting bidirectional buffers with TRI-STATE outputs and is intended for bus-oriented applications. Current sinking capability is 24 mA (20 mA Mil) at the A ports and 64 mA (48 mA Mil) at the B ports. The Transmit/Receive ( $T/\bar{R}$ ) input determines the direction of data flow through the bidirectional transceiver. Transmit (active HIGH) enables data from A ports to B ports; Receive (active LOW) enables data from B ports to A ports. The Output Enable input, when HIGH, disables both A and B ports by placing them in a High Z condition.

### Features

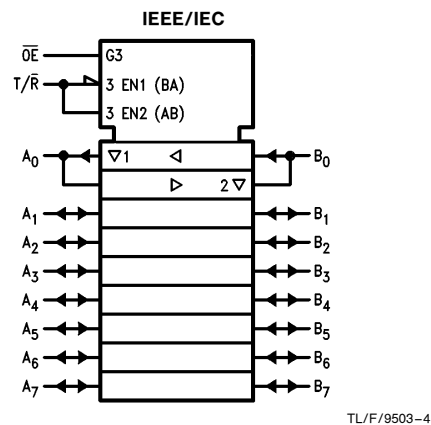
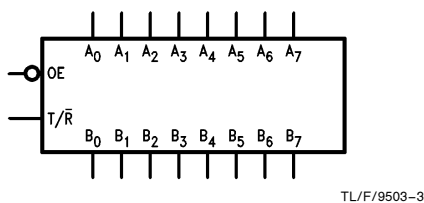
- Non-inverting buffers
- Bidirectional data path
- A outputs sink 24 mA (20 mA Mil)
- B outputs sink 64 mA (48 mA Mil)
- Guaranteed 4000V minimum ESD protection

Commercial	Military	Package Number	Package Description
74F245PC		N20A	20-Lead (0.300" Wide) Molded Dual-In-Line
	54F245DM (Note 2)	J20A	20-Lead Ceramic Dual-In-Line
74F245SC (Note 1)		M20B	20-Lead (0.300" Wide) Molded Small Outline, JEDEC
74F245SJ (Note 1)		M20D	20-Lead (0.300" Wide) Molded Small Outline, EIAJ
74F245MSA (Note 1)		MSA20	20-Lead Molded Shrink Small Outline, EIAJ Type II
	54F245FM (Note 2)	W20A	20-Lead Cerpack
	54F245LM (Note 2)	E20A	20-Lead Ceramic Leadless Chip Carrier, Type C

**Note 1:** Devices also available in 13" reel. Use suffix = SCX, SJX and MSAX.

**Note 2:** Military grade device with environmental and burn-in processing. Use suffix = DMQB, FMQB and LMQB.

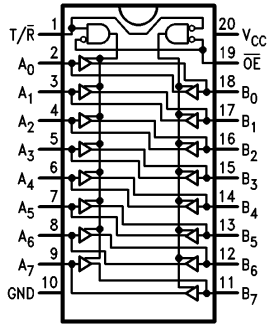
### Logic Symbols



TRI-STATE® is a registered trademark of National Semiconductor Corporation.

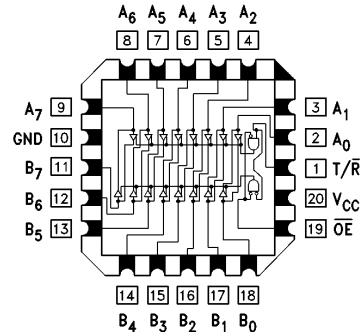
## Connection Diagrams

Pin Assignment for  
DIP, SOIC, SSOP and Flatpak



TL/F/9503-1

Pin Assignment  
for LCC



TL/F/9503-2

## Unit Loading/Fan Out

Pin Names	Description	54F/74F	
		U.L. HIGH/LOW	Input $I_{IH}/I_{IL}$ Output $I_{OH}/I_{OL}$
$\overline{OE}$	Output Enable Input (Active LOW)	1.0/2.0	20 $\mu$ A/ -1.2 mA
T/ $\overline{R}$	Transmit/Receive Input	1.0/2.0	20 $\mu$ A/ -1.2 mA
A <sub>0</sub> -A <sub>7</sub>	Side A Inputs or TRI-STATE Outputs	3.5/1.083	70 $\mu$ A/ -0.65 mA
B <sub>0</sub> -B <sub>7</sub>	Side B Inputs or TRI-STATE Outputs	150/40(38.3) 3.5/1.083 600/106.6(80)	-3 mA/24 mA (20 mA) 70 $\mu$ A/ -0.65 mA -12 mA/64 mA (48 mA)

## Truth Table

Inputs		Output
$\overline{OE}$	T/ $\overline{R}$	
L	L	Bus B Data to Bus A
L	H	Bus A Data to Bus B
H	X	High Z State

H = HIGH Voltage Level  
L = LOW Voltage Level  
X = Immaterial

## Absolute Maximum Ratings (Note 1)

If Military/Aerospace specified devices are required, please contact the National Semiconductor Sales Office/Distributors for availability and specifications.

Storage Temperature	-65°C to +150°C
Ambient Temperature under Bias	-55°C to +125°C
Junction Temperature under Bias	-55°C to +175°C
Plastic	-55°C to +150°C
V <sub>CC</sub> Pin Potential to Ground Pin	-0.5V to +7.0V
Input Voltage (Note 2)	-0.5V to +7.0V
Input Current (Note 2)	-30 mA to +5.0 mA
Voltage Applied to Output in HIGH State (with V <sub>CC</sub> = 0V)	
Standard Output	-0.5V to V <sub>CC</sub>
TRI-STATE Output	-0.5V to +5.5V

Current Applied to Output in LOW State (Max)

twice the rated I<sub>OL</sub> (mA)

ESD Last Passing Voltage (Min) 4000V

**Note 1:** Absolute maximum ratings are values beyond which the device may be damaged or have its useful life impaired. Functional operation under these conditions is not implied.

**Note 2:** Either voltage limit or current limit is sufficient to protect inputs.

## Recommended Operating Conditions

Free Air Ambient Temperature

Military -55°C to +125°C

Commercial 0°C to +70°C

Supply Voltage

Military +4.5V to +5.5V

Commercial +4.5V to +5.5V

## DC Electrical Characteristics

Symbol	Parameter	54F/74F			Units	V <sub>CC</sub>	Conditions
		Min	Typ	Max			
V <sub>IH</sub>	Input HIGH Voltage	2.0			V		Recognized as a HIGH Signal
V <sub>IL</sub>	Input LOW Voltage				V		Recognized as a LOW Signal
V <sub>CD</sub>	Input Clamp Diode Voltage				V	Min	I <sub>IN</sub> = -18 mA
V <sub>OH</sub>	Output HIGH Voltage	54F 10% V <sub>CC</sub>	2.4		V	Min	I <sub>OH</sub> = -3 mA (A <sub>n</sub> )
		54F 10% V <sub>CC</sub>	2.0				I <sub>OH</sub> = -12 mA (B <sub>n</sub> )
		74F 10% V <sub>CC</sub>	2.4				I <sub>OH</sub> = -3 mA (A <sub>n</sub> )
		74F 10% V <sub>CC</sub>	2.0				I <sub>OH</sub> = -15 mA (B <sub>n</sub> )
		74F 5% V <sub>CC</sub>	2.7				I <sub>OH</sub> = -3 mA (A <sub>n</sub> )
V <sub>OL</sub>	Output LOW Voltage	54F 10% V <sub>CC</sub>	0.5		V	Min	I <sub>OL</sub> = 20 mA (A <sub>n</sub> )
		54F 10% V <sub>CC</sub>	0.55				I <sub>OL</sub> = 48 mA (B <sub>n</sub> )
		74F 10% V <sub>CC</sub>	0.5				I <sub>OL</sub> = 24 mA (A <sub>n</sub> )
		74F 10% V <sub>CC</sub>	0.55				I <sub>OL</sub> = 64 mA (B <sub>n</sub> )
I <sub>IH</sub>	Input HIGH Current	54F	20.0		μA	Max	V <sub>IN</sub> = 2.7V
		74F	5.0				
I <sub>BVI</sub>	Input HIGH Current Breakdown Test	54F	100		μA	Max	V <sub>IN</sub> = 7.0V ( $\overline{OE}$ , T/ $\overline{R}$ )
		74F	7.0				
I <sub>BVIT</sub>	Input HIGH Current Breakdown (I/O)	54F	1.0		mA	Max	V <sub>IN</sub> = 5.5 V (A <sub>n</sub> , B <sub>n</sub> )
		74F	0.5				
I <sub>CEX</sub>	Output HIGH Leakage Current	54F	250		μA	Max	V <sub>OUT</sub> = V <sub>CC</sub> (A <sub>n</sub> , B <sub>n</sub> )
		74F	50				
V <sub>ID</sub>	Input Leakage Test	74F	4.75		V	0.0	I <sub>ID</sub> = 1.9 μA All Other Pins Grounded
I <sub>OD</sub>	Output Leakage Circuit Current	74F	3.75		μA	0.0	V <sub>IOD</sub> = 150 mV All Other Pins Grounded
I <sub>IL</sub>	Input LOW Current				mA	Max	V <sub>IN</sub> = 0.5V (T/ $\overline{R}$ , $\overline{OE}$ )
I <sub>IH</sub> + I <sub>OZH</sub>	Output Leakage Current				μA	Max	V <sub>OUT</sub> = 2.7V (A <sub>n</sub> , B <sub>n</sub> )
I <sub>IL</sub> + I <sub>OZL</sub>	Output Leakage Current				μA	Max	V <sub>OUT</sub> = 0.5V (A <sub>n</sub> , B <sub>n</sub> )

## DC Electrical Characteristics (Continued)

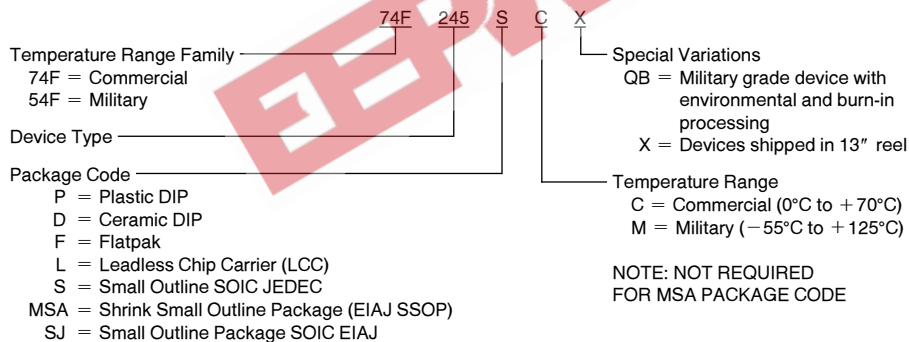
Symbol	Parameter	54F/74F			Units	V <sub>CC</sub>	Conditions
		Min	Typ	Max			
I <sub>OS</sub>	Output Short-Circuit Current	-60 -100		-150 -225	mA	Max	V <sub>OUT</sub> = 0V (A <sub>n</sub> ) V <sub>OUT</sub> = 0V (B <sub>n</sub> )
I <sub>ZZ</sub>	Bus Drainage Test			500	μA	0.0V	V <sub>OUT</sub> = 5.25V(A <sub>n</sub> , B <sub>n</sub> )
I <sub>CCH</sub>	Power Supply Current		70	90	mA	Max	V <sub>O</sub> = HIGH
I <sub>CCL</sub>	Power Supply Current		95	120	mA	Max	V <sub>O</sub> = LOW
I <sub>CCZ</sub>	Power Supply Current		85	110	mA	Max	V <sub>O</sub> = HIGH Z

## AC Electrical Characteristics

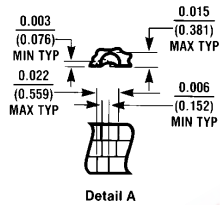
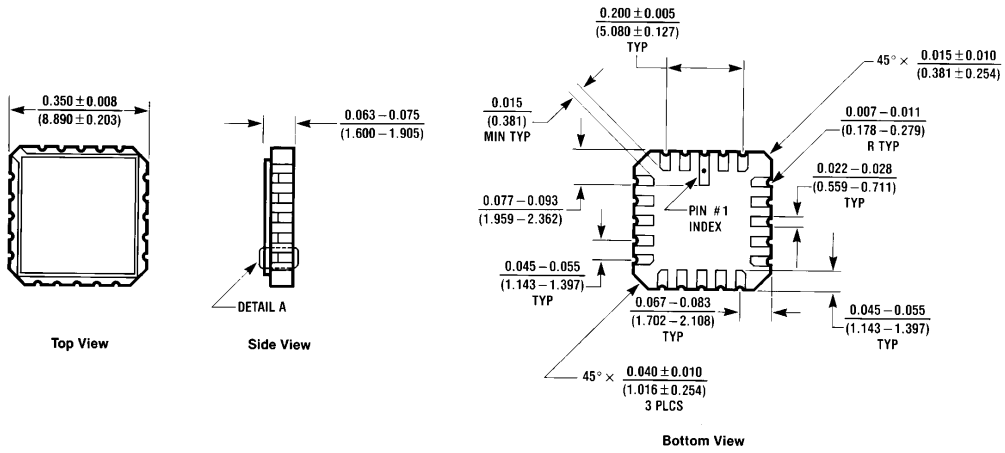
Symbol	Parameter	74F			54F		74F		Units
		T <sub>A</sub> = +25°C V <sub>CC</sub> = +5.0V C <sub>L</sub> = 50 pF			T <sub>A</sub> , V <sub>CC</sub> = Mil C <sub>L</sub> = 50 pF		T <sub>A</sub> , V <sub>CC</sub> = Com C <sub>L</sub> = 50 pF		
		Min	Typ	Max	Min	Max	Min	Max	
t <sub>PLH</sub>	Propagation Delay	2.5	4.2	6.0	2.0	7.5	2.0	7.0	ns
t <sub>PHL</sub>	A <sub>n</sub> to B <sub>n</sub> or B <sub>n</sub> to A <sub>n</sub>	2.5	4.2	6.0	2.0	7.5	2.0	7.0	
t <sub>PZH</sub>	Output Enable Time	3.0	5.3	7.0	2.5	9.0	2.5	8.0	ns
t <sub>PZL</sub>	Output Disable Time	3.5	6.0	8.0	3.0	10.0	3.0	9.0	
t <sub>PHZ</sub>	Output Disable Time	2.0	5.0	6.5	2.0	9.0	2.0	7.5	ns
t <sub>PLZ</sub>	Output Disable Time	2.0	5.0	6.5	2.0	10.0	2.0	7.5	

## Ordering Information

The device number is used to form part of a simplified purchasing code where the package type and temperature range are defined as follows:

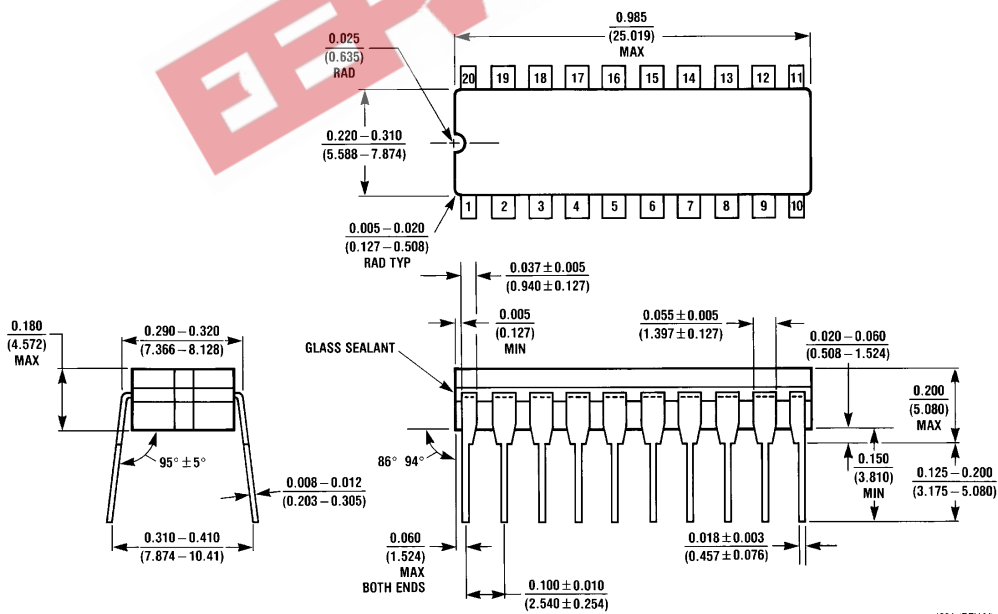


**Physical Dimensions** inches (millimeters)



**20-Lead Ceramic Leadless Chip Carrier (L)**  
NS Package Number E20A

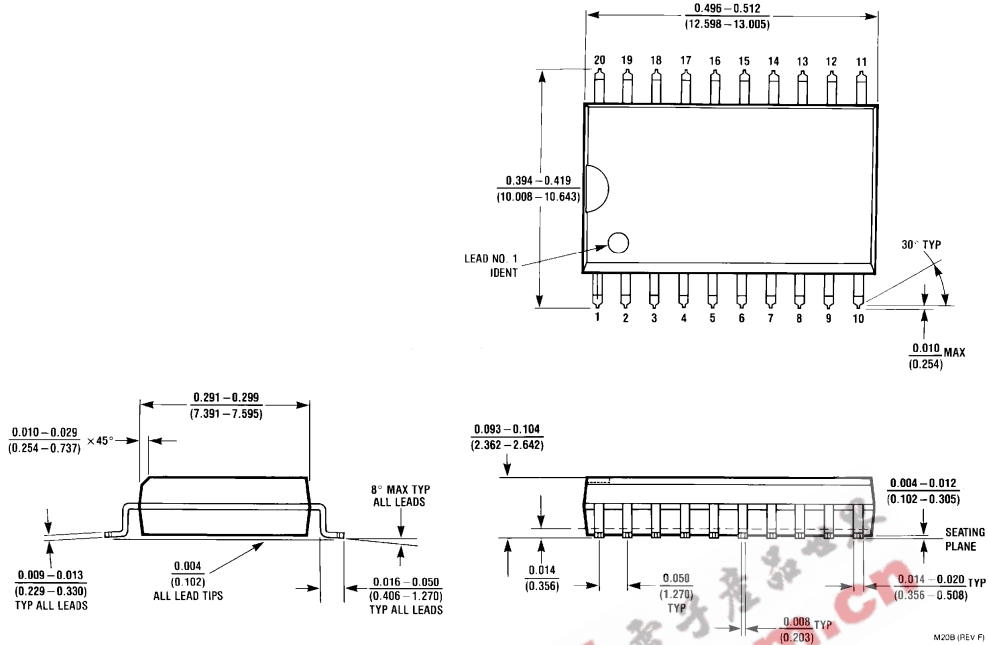
E20A (REV D)



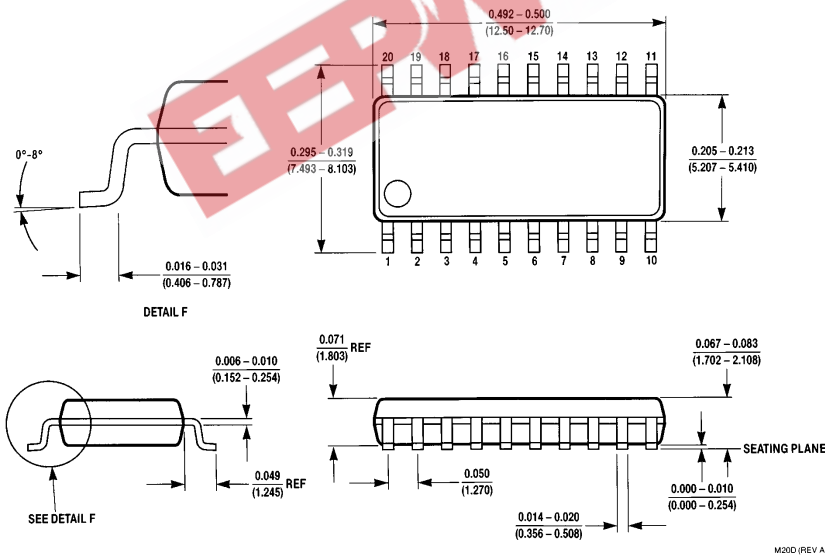
**20-Lead Ceramic Dual-In-Line Package (D)**  
NS Package Number J20A

J20A (REV M)

**Physical Dimensions** inches (millimeters) (Continued)

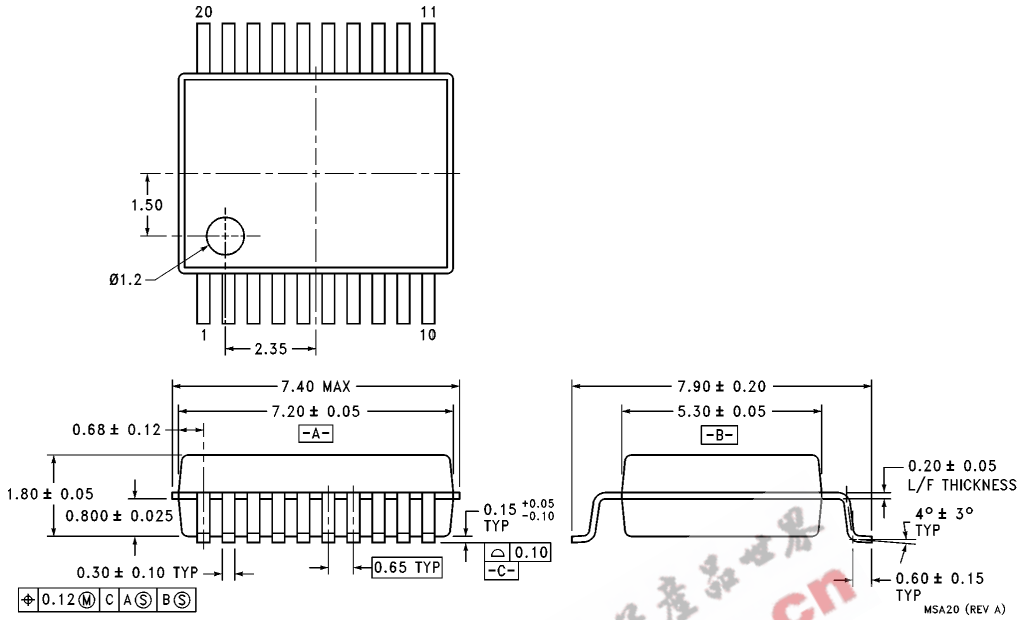


**20-Lead (0.300" Wide) Molded Small Outline Package, JEDEC (S)  
NS Package Number M20B**

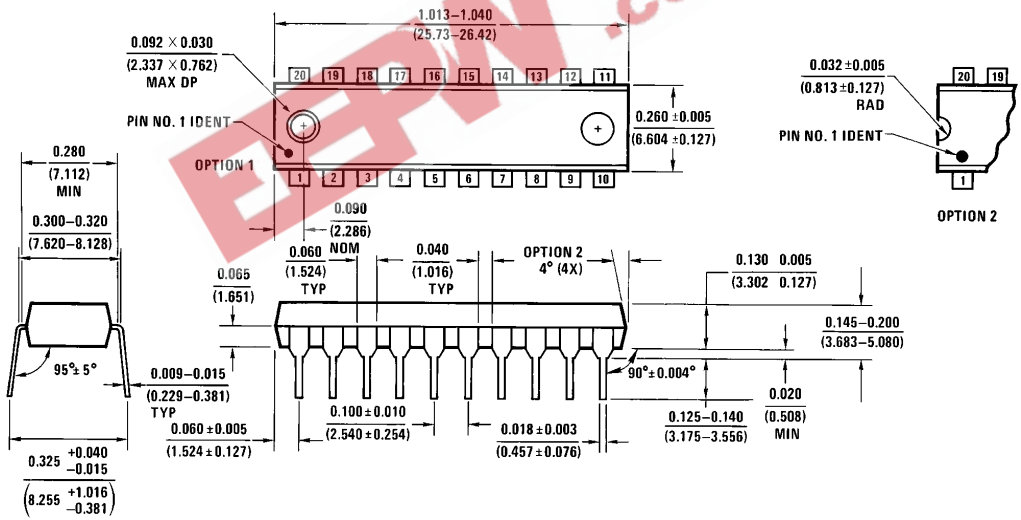


**20-Lead (0.300" Wide) Molded Small Outline Package, EIAJ (SJ)  
NS Package Number M20D**

**Physical Dimensions** inches (millimeters) (Continued)

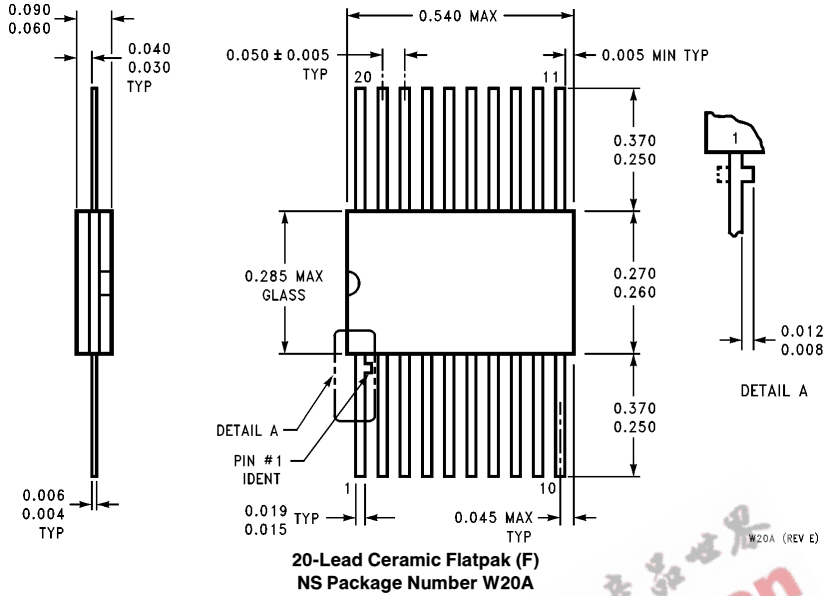


**20-Lead Molded Shrink Small Outline Package, EIAJ, Type II (MSA)**  
NS Package Number MSA20



**20-Lead Molded (0.300" Wide) Dual-In-Line Package (P)**  
NS Package Number N20A

**Physical Dimensions** inches (millimeters) (Continued)



EEPW.com.cn 电子产品世界 W20A (REV E)

**LIFE SUPPORT POLICY**

NATIONAL'S PRODUCTS ARE NOT AUTHORIZED FOR USE AS CRITICAL COMPONENTS IN LIFE SUPPORT DEVICES OR SYSTEMS WITHOUT THE EXPRESS WRITTEN APPROVAL OF THE PRESIDENT OF NATIONAL SEMICONDUCTOR CORPORATION. As used herein:

1. Life support devices or systems are devices or systems which, (a) are intended for surgical implant into the body, or (b) support or sustain life, and whose failure to perform, when properly used in accordance with instructions for use provided in the labeling, can be reasonably expected to result in a significant injury to the user.
2. A critical component is any component of a life support device or system whose failure to perform can be reasonably expected to cause the failure of the life support device or system, or to affect its safety or effectiveness.



**National Semiconductor Corporation**  
2900 Semiconductor Drive  
P.O. Box 58090  
Santa Clara, CA 95052-8090  
Tel: 1 (800) 272-9959  
TWX: (910) 339-9240

**National Semiconductor GmbH**  
Livry-Gargan-Str. 10  
D-82256 Fürstenfeldbruck  
Germany  
Tel: (81-41) 35-0  
Telex: 527649  
Fax: (81-41) 35-1

**National Semiconductor Japan Ltd.**  
Sumitomo Chemical  
Engineering Center  
Bldg. 7F  
1-7-1, Nakase, Mihama-Ku  
Chiba-City,  
Chiba Prefecture 261  
Tel: (043) 299-2300  
Fax: (043) 299-2500

**National Semiconductor Hong Kong Ltd.**  
13th Floor, Straight Block,  
Ocean Centre, 5 Canton Rd.  
Tsimshatsui, Kowloon  
Hong Kong  
Tel: (852) 2737-1600  
Fax: (852) 2736-9960

**National Semiconductores Do Brazil Ltda.**  
Rua Deputado Lacorda Franco  
120-3A  
Sao Paulo-SP  
Brazil 05418-000  
Tel: (55-11) 212-5066  
Telex: 391-1131931 NSBR BR  
Fax: (55-11) 212-1181

**National Semiconductor (Australia) Pty, Ltd.**  
Building 16  
Business Park Drive  
Monash Business Park  
Nottingham, Melbourne  
Victoria 3168 Australia  
Tel: (3) 558-9889  
Fax: (3) 558-9898

National does not assume any responsibility for use of any circuitry described, no circuit patent licenses are implied and National reserves the right at any time without notice to change said circuitry and specifications.