

74VHC221A Dual Non-Retriggerable Monostable Multivibrator

General Description

The VHC221A is an advanced high speed CMOS Monostable Multivibrator fabricated with silicon gate CMOS technology. It achieves the high speed operation similar to equivalent Bipolar Schottky TTL while maintaining the CMOS low power dissipation. Each multivibrator features both a negative, A, and a positive, B, transition triggered input, either of which can be used as an inhibit input. Also included is a clear input that when taken LOW resets the one-shot. The VHC221A can be triggered on the positive transition of the clear while A is held LOW and B is held HIGH. The VHC221A is non-retriggerable, and therefore cannot be retriggered until the output pulse times out. The output pulse width is determined by the equation:

$PW = (R_x)(C_x)$; where PW is in seconds, R is in ohms, and C is in farads.

Limits for R_x and C_x are:

External capacitor, C_x : No limit

External resistors, R_x : $V_{CC} = 2.0V, 5 k\Omega \text{ min}$

$V_{CC} > 3.0V, 1 k\Omega \text{ min}$

An input protection circuit ensures that 0 to 7V can be applied to the input pins without regard to the supply voltage. This device can be used to interface 5V to 3V systems and two supply systems such as battery back up. This circuit prevents device destruction due to mismatched supply and input voltages.

Features

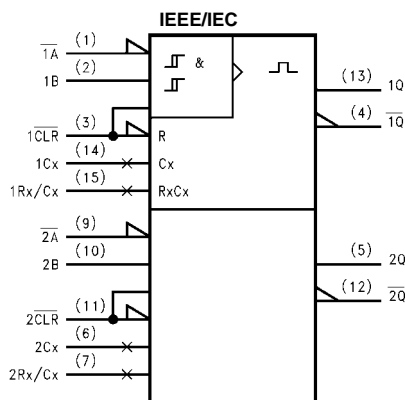
- High Speed: $t_{PD} = 8.1 \text{ ns (typ)}$ at $V_{CC} = 5V$
- Low Power Dissipation: $I_{CC} = 4 \mu A \text{ (Max)}$ at $T_A = 25^\circ C$
- Active State: $I_{CC} = 600 \mu A \text{ (Max)}$ at $T_A = 25^\circ C$
- High Noise Immunity: $V_{NIH} = V_{NIL} = 28\% V_{CC} \text{ (min)}$
- Power down protection is provided on all inputs
- Pin and function compatible with 74HC221A

Ordering Code:

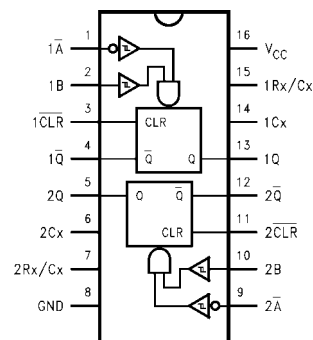
Order Number	Package Number	Package Description
74VHC221AM	M16A	16-Lead Small Outline Integrated Circuit (SOIC), JEDEC MS-012, 0.150 Narrow
74VHC221ASJ	M16D	16-Lead Small Outline Package (SOP), EIAJ TYPE II, 5.3mm Wide
74VHC221AMTC	MTC16	16-Lead Thin Shrink Small Outline Package (TSSOP), JEDEC MO-153, 4.4mm Wide
74VHC221AN	N16E	16-Lead Plastic Dual-In-Line Package (PDIP), JEDEC MS-001, 0.300 Wide

Surface mount packages are also available on Tape and Reel. Specify by appending the suffix letter "X" to the ordering code.

Logic Symbol



Connection Diagram



Truth Table

Inputs			Outputs		Function
\bar{A}	B	\overline{CLR}	Q	\bar{Q}	
~	H	H	~	~	Output Enable
X	L	H	L	H	Inhibit
H	X	H	L	H	Inhibit
L	~	H	~	~	Output Enable
L	H	~	~	~	Output Enable
X	X	L	L	H	Reset

H = HIGH Voltage Level ~ = HIGH-to-LOW Transition
 L = LOW Voltage Level ~ = LOW-to-HIGH Transition
 X: Don't Care

Block Diagrams



Note A: Cx, Rx, Dx are external Capacitor, Resistor, and Diode, respectively.

Note B: External clamping diode, Dx;

External capacitor is charged to V_{CC} level in the wait state, i.e. when no trigger is applied.

If the supply voltage is turned off, Cx discharges mainly through the internal (parasitic) diode. If Cx is sufficiently large and V_{CC} drops rapidly, there will be some possibility of damaging the IC through inrush current or latch-up. If the capacitance of the supply voltage filter is large enough and V_{CC} drops slowly, the inrush current is automatically limited and damage to the IC is avoided.

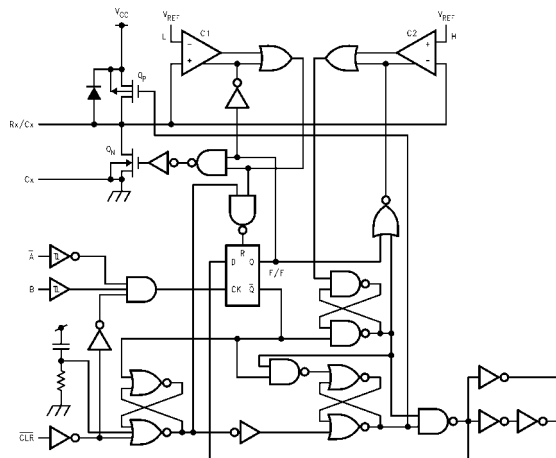
The maximum value of forward current through the parasitic diode is ± 20 mA. In the case of a large Cx, the limit of fall time of the supply voltage is determined as follows:

$$t_f \geq (V_{CC} - 0.7) Cx / 20 \text{ mA}$$

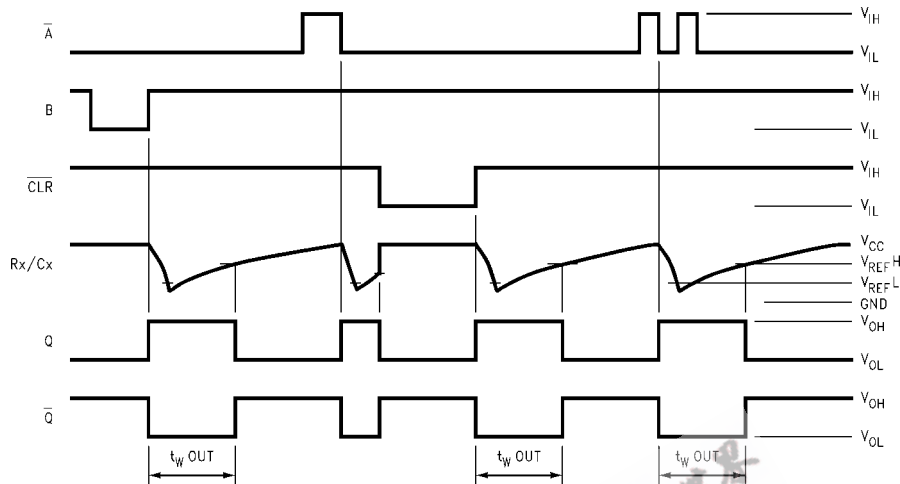
(t_f is the time between the supply voltage turn off and the supply voltage reaching 0.4 V_{CC})

In the event a system does not satisfy the above condition, an external clamping diode (Dx) is needed to protect the IC from inrush current.

System Diagram



Timing Chart



Functional Description

1. Stand-by State

The external capacitor (Cx) is fully charged to V_{CC} in the Stand-by State. That means, before triggering, the Q_P and Q_N transistors which are connected to the Rx/Cx node are in the off state. Two comparators that relate to the timing of the output pulse, and two reference voltage supplies turn off. The total supply current is only leakage current.

2. Trigger Operation

Trigger operation is effective in any of the following three cases. First, the condition where the \bar{A} input is LOW, and B input has a rising signal; second, where the B input is HIGH, and the A input has a falling signal; and third, where the \bar{A} input is LOW and the B input is HIGH, and the CLR input has a rising signal.

After a trigger becomes effective, comparators C1 and C2 start operating, and Q_N is turned on. The external capacitor discharges through Q_N . The voltage level at the Rx/Cx node drops. If the Rx/Cx voltage level falls to the internal reference voltage V_{REF}^L , the output of C1 becomes LOW. The flip-flop is then reset and Q_N turns off. At that moment C1 stops but C2 continues operating.

After Q_N turns off, the voltage at the Rx/Cx node starts rising at a rate determined by the time constant of external capacitor Cx and resistor Rx.

Upon triggering, output Q becomes HIGH, following some delay time of the internal F/F and gates. It stays HIGH even if the voltage of Rx/Cx changes from falling to rising. When Rx/Cx reaches the internal reference voltage V_{REF}^H , the output of C2 becomes LOW, the output Q goes LOW and C2 stops its operation. That means, after triggering, when the voltage level of the Rx/Cx node reaches V_{REF}^H , the IC returns to its MONOSTABLE state.

With large values of Cx and Rx, and ignoring the discharge time of the capacitor and internal delays of the IC, the width of the output pulse, t_W (OUT), is as follows:

$$t_W \text{ (OUT)} = 1.0 Cx Rx$$

3. Reset Operation

In normal operation, the \bar{CLR} input is held HIGH. If \bar{CLR} is LOW, a trigger has no affect because the Q output is held LOW and the trigger control F/F is reset. Also, Q_P turns on and Cx is charged rapidly to V_{CC} .

This means if \bar{CLR} is set LOW, the IC goes into a wait state.

Absolute Maximum Ratings (Note 1)

Supply Voltage (V_{CC})	-0.5V to +7.0V
DC Input Voltage (V_{IN})	-0.5V to +7.0V
DC Output Voltage (V_{OUT})	-0.5 to V_{CC} +0.5V
Input Diode Current (I_{IK})	-20 mA
Output Diode Current (I_{OK})	±20 mA
DC Output Current (I_{OUT})	±25 mA
DC V_{CC} /Current (I_{CC})	±50 mA
Storage Temperature (T_{STG})	-65°C to 150°C
Lead Temperature (T_L)	
Soldering, 10 seconds	260°C

Recommended Operating Conditions (Note 2)

Supply Voltage (V_{CC})	2.0V to +5.5V
Input Voltage (V_{IN})	0V to +5.5V
Output Voltage (V_{OUT})	0V to V_{CC}
Operating Temperature (T_{opr})	-40° to +85°C
Input Rise and Fall Time (t_r, t_f) (CLR only)	
$V_{CC} = 3.3V \pm 0.3V$	0 – 100 ns/V
$V_{CC} = 5.0V \pm 0.5V$	0 – 20 ns/V
External Capacitor - Cx	No Limitation (Note 3) F
External Resistor - Rx	>5 k Ω (Note 3) ($V_{CC} = 2.0V$) >1 k Ω (Note 3) ($V_{CC} > 3.0V$)

Note 1: Absolute maximum ratings are values beyond which the device may be damaged or have its useful life impaired. The databook specifications should be met, without exception, to ensure that the system design is reliable over its power supply, temperature, and output/input loading variables. Fairchild does not recommend operation outside data book specifications.

Note 2: Unused inputs must be used HIGH or LOW. They may not float.

Note 3: The maximum allowable values of Cx and Rx are a function of the leakage of capacitor Cx, the leakage of the device, and leakage due to board layout and surface resistance.

Susceptibility to externally induced noise signals may occur for Rx > 1 M Ω .

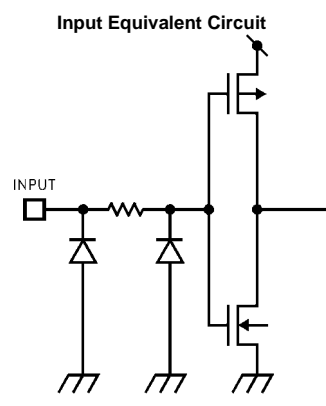
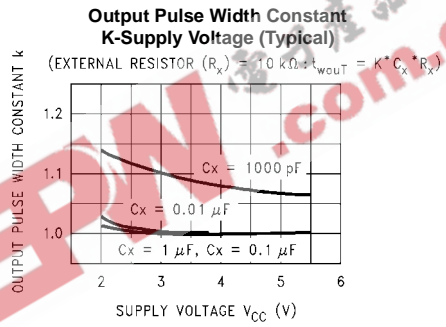
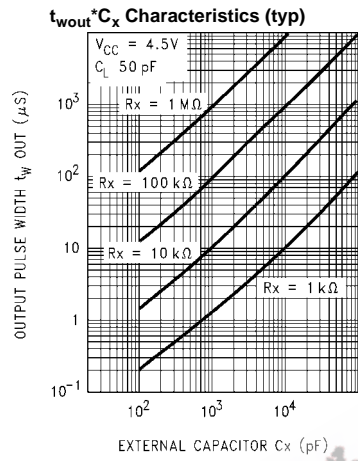
DC Electrical Characteristics

Symbol	Parameter	V_{CC} (V)	$T_A = 25^\circ\text{C}$			$T_A = -40^\circ\text{ to }85^\circ\text{C}$		Units	Conditions			
			Min	Typ	Max	Min	Max					
V_{IH}	HIGH Level	2.0	1.50			1.50		V				
	Input Voltage	3.0 – 5.5	0.7 V_{CC}			0.7 V_{CC}						
V_{IL}	LOW Level	2.0	0.50			0.50		V				
	Input Voltage	3.0 – 5.5	0.3 V_{CC}			0.3 V_{CC}						
V_{OH}	HIGH Level	2.0	1.9	2.0		1.9		V	$V_{IN} = V_{IH}$ or V_{IL}	$I_{OH} = -50 \mu\text{A}$		
		3.0	2.9	3.0		2.9						
	Output Voltage	4.5	4.4	4.5		4.4				$I_{OH} = -4 \text{ mA}$ $I_{OH} = -8 \text{ mA}$		
		3.0	2.58			2.48						
		4.5	3.94			3.80						
V_{OL}	LOW Level	2.0		0.0	0.1		0.1	V	$V_{IN} = V_{IH}$ or V_{IL}	$I_{OL} = 50 \mu\text{A}$		
		3.0		0.0	0.1		0.1					
	Output Voltage	4.5		0.0	0.1		0.1					$I_{OL} = 4 \text{ mA}$ $I_{OL} = 8 \text{ mA}$
		3.0			0.36		0.44					
		4.5			0.36		0.44					
I_{IN}	Input Leakage Current	0 – 5.5			±0.1		±1.0	μA	$V_{IN} = 5.5V$ or GND			
I_{IN}	Rx/Cx Terminal Off-State Current	5.5			±0.25		±2.50	μA	$V_{IN} = V_{CC}$ or GND			
I_{CC}	Quiescent Supply Current	5.5			4.0		40.0	μA	$V_{IN} = V_{CC}$ or GND			
I_{CC}	Active—State (Note 4)	3.0		160	250		280	μA	$V_{IN} = V_{CC}$ or GND			
	Supply Current	4.5		380	500		650	μA	$Rx/Cx = 0.5 V_{CC}$			
		5.5		560	750		975	μA				

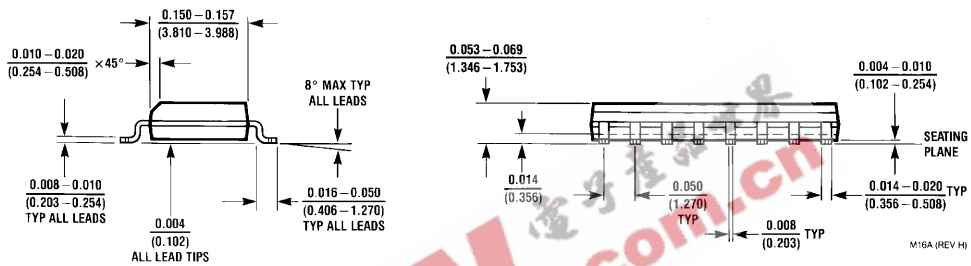
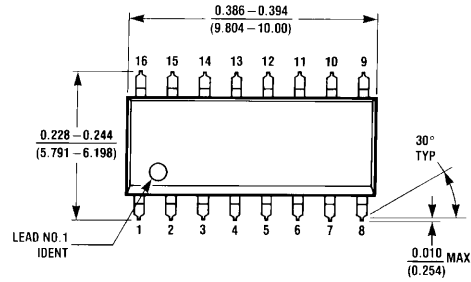
Note 4: Per Circuit

AC Electrical Characteristics (Note 6)									
Symbol	Parameter	V _{CC} (V)	T _A = 25°C			T _A = -40°C to +85°C		Units	Conditions
			Min	Typ	Max	Min	Max		
t _{PLH}	Propagation Delay Time (A, B-Q, \bar{Q})	3.3 ± 0.3	13.4	20.6	1.0	24.0	ns	C _L = 15 pF	
t _{PHL}			15.9	24.1	1.0	27.5		C _L = 50 pF	
		5.0 ± 0.5	8.1	12.0	1.0	14.0	ns	C _L = 15 pF	
			9.6	14.0	1.0	16.0		C _L = 50 pF	
t _{PLH}	Propagation Delay Time (CLR Trigger-Q, \bar{Q})	3.3 ± 0.3	14.5	22.4	1.0	26.0	ns	C _L = 15 pF	
t _{PHL}			17.0	25.9	1.0	29.5		C _L = 50 pF	
		5.0 ± 0.5	8.7	12.9	1.0	15.0	ns	C _L = 15 pF	
			10.2	14.9	1.0	17.0		C _L = 50 pF	
t _{PLH}	Propagation Delay Time (CLR-Q, \bar{Q})	3.3 ± 0.3	10.3	15.8	1.0	18.5	ns	C _L = 15 pF	
t _{PHL}			12.8	19.3	1.0	22.0		C _L = 50 pF	
		5.0 ± 0.5	6.3	9.4	1.0	11.0	ns	C _L = 15 pF	
			7.8	11.4	1.0	13.0		C _L = 50 pF	
t _{WOUT}	Output Pulse Width	2.0	415			ns	C _X = 28 pF		
		3.3 ± 0.3	345				C _L = 50 pF R _X = 6 kΩ		
		5.0 ± 0.5	312						
		3.3 ± 0.3	160	240		300	ns	C _L = 50 pF C _X = 28 pF	
		5.0 ± 0.5	133	200		240		R _X = 2 kΩ	
		3.3 ± 0.3	90	100	110	90	110	μs	C _L = 50 pF C _X = 0.01 μF
		5.0 ± 0.5	90	100	110	90	110		R _X = 10 kΩ
		3.3 ± 0.3	0.9	1.0	1.1	0.9	1.1	ms	C _L = 50 pF C _X = 0.1 μF
	5.0 ± 0.5	0.9	1.0	1.1	0.9	1.1	R _X = 10 kΩ		
Δt _{WOUT}	Output Pulse Width Error Between Circuits (In same Package)		±1				%		
C _{IN}	Input Capacitance		4	10		10	pF	V _{CC} = Open	
C _{PD}	Power Dissipation Capacitance		73				pF	(Note 5)	
<p>Note 5: C_{PD} is defined as the value of the internal equivalent capacitance which is calculated from the operating current consumption without load. Average operating current can be obtained by the equation:</p> $I_{CC}(\text{opr.}) = C_{PD} \cdot V_{CC} \cdot f_{IN} + I_{CC}^1 \cdot \text{Duty}/100 + I_{CC}/2 \text{ (per Circuit)}$ <p>I_{CC}¹: Active Supply Current Duty: %</p> <p>Note 6: Refer to 74VHC221A Timing Chart.</p>									
AC Operating Requirement									
Symbol	Parameter	V _{CC} (V)	T _A = 25°C			T _A = -40°C to +85°C		Units	
			Min	Typ	Max	Min	Max		
t _{W(L)}	Minimum Trigger	3.3	5.0			5.0	ns		
t _{W(H)}	Pulse Width	5.0	5.0			5.0			
t _{W(L)}	Minimum Clear	3.3	5.0			5.0	ns		
	Pulse Width	5.0	5.0			5.0			

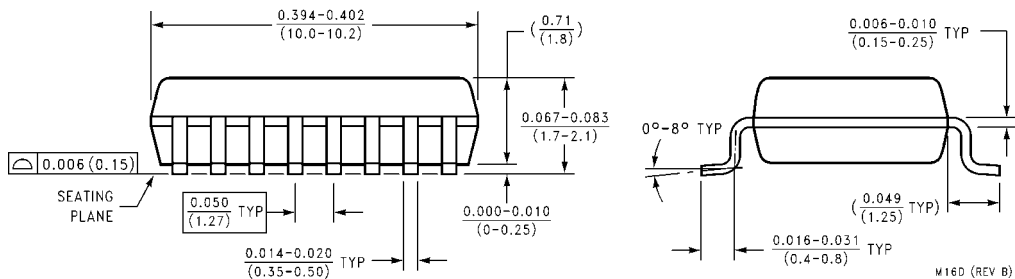
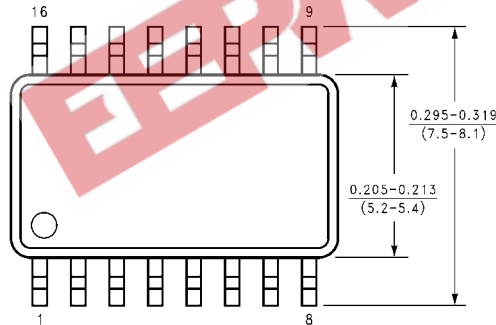
Device Characteristics



Physical Dimensions inches (millimeters) unless otherwise noted

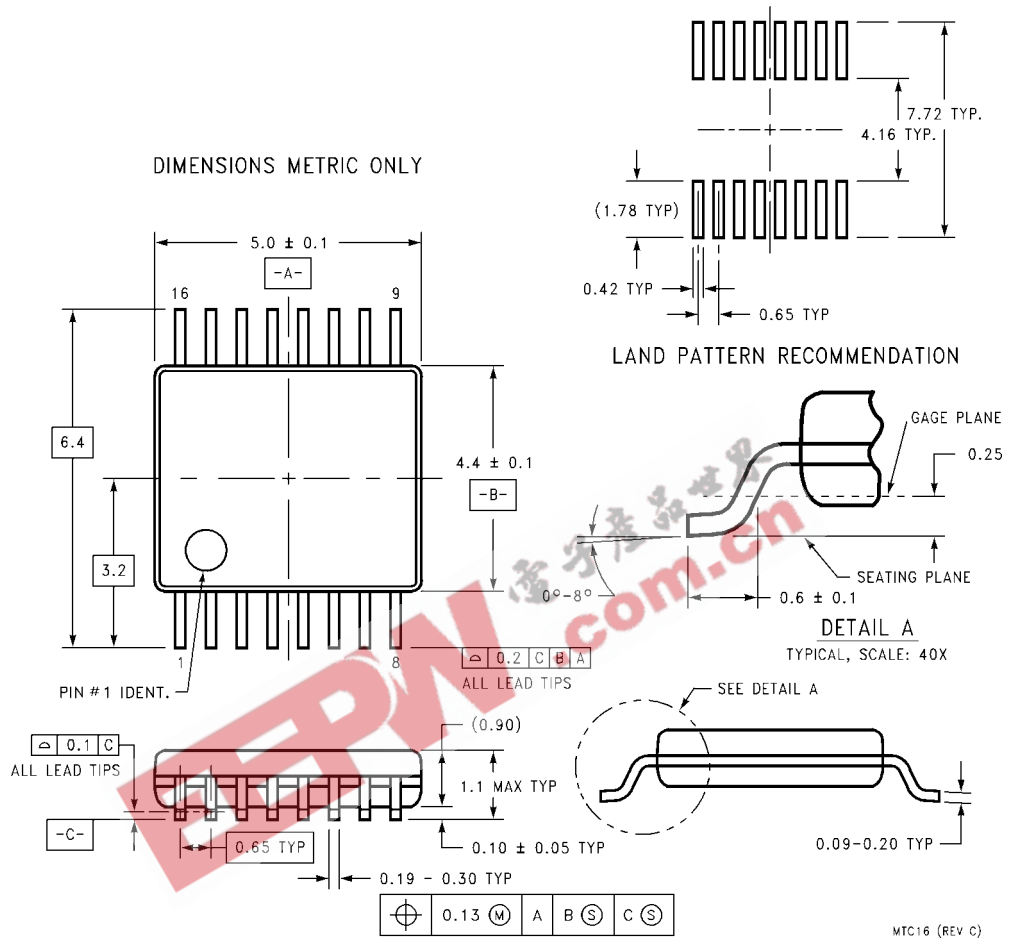


16-Lead Small Outline Integrated Circuit (SOIC), JEDEC MS-012, 0.150 Narrow
Package Number M16A



16-Lead Small Outline Package (SOP), EIAJ TYPE II, 5.3mm Wide
Package Number M16D

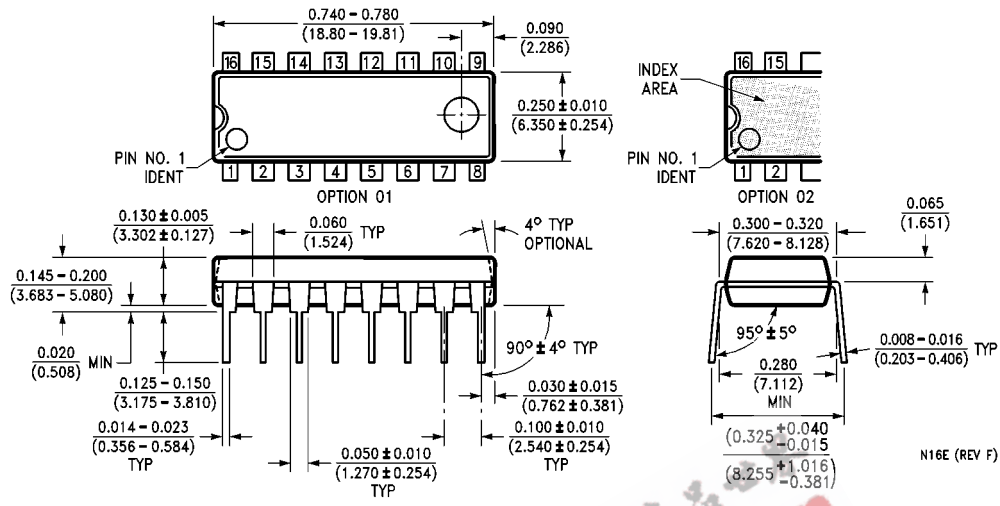
Physical Dimensions inches (millimeters) unless otherwise noted (Continued)



**16-Lead Thin Shrink Small Outline Package (TSSOP), JEDEC MO-153, 4.4mm Wide
Package Number MTC16**

MTC16 (REV. C)

Physical Dimensions inches (millimeters) unless otherwise noted (Continued)



16-Lead Plastic Dual-In-Line Package (PDIP), JEDEC MS-001, 0.300 Wide Package Number N16E

N16E (REV F)

LIFE SUPPORT POLICY

FAIRCHILD'S PRODUCTS ARE NOT AUTHORIZED FOR USE AS CRITICAL COMPONENTS IN LIFE SUPPORT DEVICES OR SYSTEMS WITHOUT THE EXPRESS WRITTEN APPROVAL OF THE PRESIDENT OF FAIRCHILD SEMICONDUCTOR CORPORATION. As used herein:

1. Life support devices or systems are devices or systems which, (a) are intended for surgical implant into the body, or (b) support or sustain life, and (c) whose failure to perform when properly used in accordance with instructions for use provided in the labeling, can be reasonably expected to result in a significant injury to the user.
2. A critical component in any component of a life support device or system whose failure to perform can be reasonably expected to cause the failure of the life support device or system, or to affect its safety or effectiveness.

www.fairchildsemi.com

Fairchild does not assume any responsibility for use of any circuitry described, no circuit patent licenses are implied and Fairchild reserves the right at any time without notice to change said circuitry and specifications.