

## 74LCX16240

### Low Voltage 16-Bit Inverting Buffer/Line Driver with 5V Tolerant Inputs/Outputs

#### General Description

The LCX16240 contains sixteen inverting buffers with 3-STATE outputs designed to be employed as a memory and address driver, clock driver, or bus-oriented transmitter/receiver. The device is nibble controlled. Each nibble has separate 3-STATE control inputs which can be shorted together for full 16-bit operation.

The LCX16240 is designed for low voltage (2.5V or 3.3V)  $V_{CC}$  applications with capacity of interfacing to a 5V signal environment.

The LCX16240 is fabricated with an advanced CMOS technology to achieve high speed operation while maintaining CMOS low power dissipation.

#### Features

- 5V tolerant inputs and outputs
- 2.3V–3.6V  $V_{CC}$  specifications provided
- 4.5 ns  $t_{PD}$  max ( $V_{CC} = 3.3V$ ), 20  $\mu A$   $I_{CC}$  max
- Power down high impedance inputs and outputs
- Supports live insertion/withdrawal (Note 1)
- $\pm 24$  mA output drive ( $V_{CC} = 3.0V$ )
- Implements patented noise/EMI reduction circuitry
- Latch-up performance exceeds 500 mA
- ESD performance:
  - Human body model > 2000V
  - Machine model > 200V

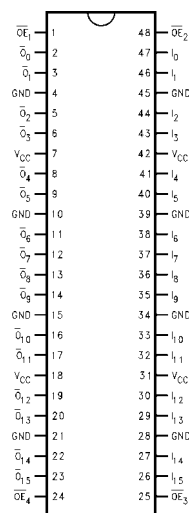
Note 1: To ensure the high-impedance state during power up or down,  $\overline{OE}$  should be tied to  $V_{CC}$  through a pull-up resistor: the minimum value or the resistor is determined by the current-sourcing capability of the driver.

#### Ordering Code:

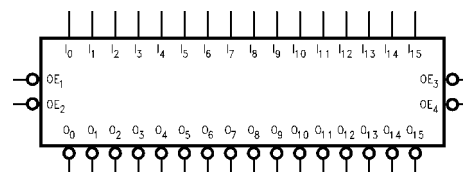
| Order Number  | Package Number | Package Description   |
|---------------|----------------|---|
| 74LCX16240MEA | MS48A          | 48-Lead Small Shrink Outline Package (SSOP), JEDEC MO-118, 0.300" Wide      |
| 74LCX16240MTD | MTD48          | 48-Lead Thin Shrink Small Outline Package (TSSOP), JEDEC MO-153, 6.1mm Wide |

Devices also available in Tape and Reel. Specify by appending the suffix letter "X" to the ordering code.

#### Connection Diagram



#### Logic Symbol



#### Pin Descriptions

| Pin Names                              | Description                       |
|--|-----------------------------------|
| $\overline{OE}_n$                      | Output Enable Inputs (Active LOW) |
| $I_0$ – $I_{15}$                       | Inputs                            |
| $\overline{O}_0$ – $\overline{O}_{15}$ | Outputs                           |

## Truth Tables

| Inputs            |           | Outputs                         |
|-------------------|-----------|---------------------------------|
| $\overline{OE}_1$ | $I_0-I_3$ | $\overline{O}_0-\overline{O}_3$ |
| L                 | L         | H                               |
| L                 | H         | L                               |
| H                 | X         | Z                               |

| Inputs            |              | Outputs                            |
|-------------------|--------------|------------------------------------|
| $\overline{OE}_3$ | $I_8-I_{11}$ | $\overline{O}_8-\overline{O}_{11}$ |
| L                 | L            | H                                  |
| L                 | H            | L                                  |
| H                 | X            | Z                                  |

| Inputs            |           | Outputs                         |
|-------------------|-----------|---------------------------------|
| $\overline{OE}_2$ | $I_4-I_7$ | $\overline{O}_4-\overline{O}_7$ |
| L                 | L         | H                               |
| L                 | H         | L                               |
| H                 | X         | Z                               |

| Inputs            |                 | Outputs                               |
|-------------------|-----------------|---------------------------------------|
| $\overline{OE}_4$ | $I_{12}-I_{15}$ | $\overline{O}_{12}-\overline{O}_{15}$ |
| L                 | L               | H                                     |
| L                 | H               | L                                     |
| H                 | X               | Z                                     |

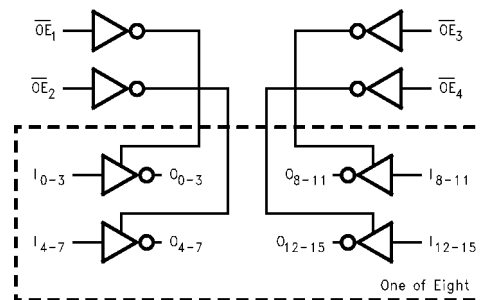
H = HIGH Voltage Level  
 L = LOW Voltage Level  
 X = Immaterial  
 Z = High Impedance

## Functional Description

The LCX16240 contains sixteen inverting buffers with 3-STATE standard outputs. The device is nibble (4 bits) controlled with each nibble functioning identically, but independent of the other. The control pins may be shorted together to obtain full 16-bit operation. The 3-STATE outputs are

controlled by an Output Enable ( $\overline{OE}_n$ ) input for each nibble. When  $\overline{OE}_n$  is LOW, the outputs are in 2-state mode. When  $\overline{OE}_n$  is HIGH, the outputs are in the high impedance mode, but this does not interfere with entering new data into the inputs.

## Logic Diagram



| Absolute Maximum Ratings (Note 2) |                                  |  |   |             |
|-----------------------------------|----------------------------------|--|---|-------------|
| Symbol                            | Parameter                        | Value                                  | Conditions  | Units       |
| $V_{CC}$                          | Supply Voltage                   | -0.5 to +7.0                           |   | V           |
| $V_I$                             | DC Input Voltage                 | -0.5 to +7.0                           |   | V           |
| $V_O$                             | DC Output Voltage                | -0.5 to +7.0<br>-0.5 to $V_{CC} + 0.5$ | Output in 3-STATE<br>Output in HIGH or LOW State (Note 3) | V           |
| $I_{IK}$                          | DC Input Diode Current           | -50                                    | $V_I < GND$   | mA          |
| $I_{OK}$                          | DC Output Diode Current          | -50<br>+50                             | $V_O < GND$<br>$V_O > V_{CC}$                             | mA          |
| $I_O$                             | DC Output Source/Sink Current    | $\pm 50$                               |   | mA          |
| $I_{CC}$                          | DC Supply Current per Supply Pin | $\pm 100$                              |   | mA          |
| $I_{GND}$                         | DC Ground Current per Ground Pin | $\pm 100$                              |   | mA          |
| $T_{STG}$                         | Storage Temperature              | -65 to +150                            |   | $^{\circ}C$ |

| Recommended Operating Conditions (Note 4) |   |                        |     |             |    |
|---|---|------------------------|-----|-------------|----|
| Symbol                                    | Parameter   | Min                    | Max | Units       |    |
| $V_{CC}$                                  | Supply Voltage  | Operating              | 2.0 | 3.6         | V  |
|   |   | Data Retention         | 1.5 | 3.6         |    |
| $V_I$                                     | Input Voltage   | 0                      | 5.5 | V           |    |
| $V_O$                                     | Output Voltage  | HIGH or LOW State      | 0   | $V_{CC}$    | V  |
|   |   | 3-STATE                | 0   | 5.5         |    |
| $I_{OH}/I_{OL}$                           | Output Current  | $V_{CC} = 3.0V - 3.6V$ |     | $\pm 24$    | mA |
|   |   | $V_{CC} = 2.7V - 3.0V$ |     | $\pm 12$    |    |
|   |   | $V_{CC} = 2.3V - 2.7V$ |     | $\pm 8$     |    |
| $T_A$                                     | Free-Air Operating Temperature                            | -40                    | 85  | $^{\circ}C$ |    |
| $\Delta t/\Delta V$                       | Input Edge Rate, $V_{IN} = 0.8V - 2.0V$ , $V_{CC} = 3.0V$ | 0                      | 10  | ns/V        |    |

**Note 2:** The Absolute Maximum Ratings are those values beyond which the safety of the device cannot be guaranteed. The device should not be operated at these limits. The parametric values defined in the Electrical Characteristics tables are not guaranteed at the Absolute Maximum Ratings. The "Recommended Operating Conditions" table will define the conditions for actual device operation.

**Note 3:**  $I_O$  Absolute Maximum Rating must be observed.

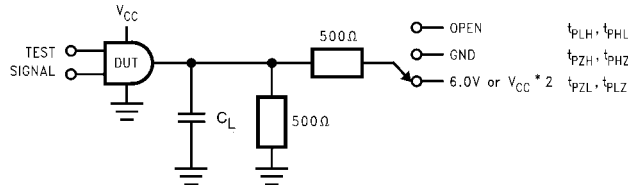
**Note 4:** Unused inputs must be held HIGH or LOW. They may not float.

## DC Electrical Characteristics

| Symbol    | Parameter                 | Conditions   | $V_{CC}$<br>(V) | $T_A = -40^{\circ}C$ to $+85^{\circ}C$ |           | Units   |
|-----------|---------------------------|--|-----------------|--|-----------|---------|
|           |                           |  |                 | Min                                    | Max       |         |
| $V_{IH}$  | HIGH Level Input Voltage  |  | 2.3 - 2.7       | 1.7                                    |           | V       |
|           |                           |  | 2.7 - 3.6       | 2.0                                    |           |         |
| $V_{IL}$  | LOW Level Input Voltage   |  | 2.3 - 2.7       |  | 0.7       | V       |
|           |                           |  | 2.7 - 3.6       |  | 0.8       |         |
| $V_{OH}$  | HIGH Level Output Voltage | $I_{OH} = -100 \mu A$                                | 2.3 - 3.6       | $V_{CC} - 0.2$                         |           | V       |
|           |                           | $I_{OH} = -8 \text{ mA}$                             | 2.3             | 1.8                                    |           |         |
|           |                           | $I_{OH} = -12 \text{ mA}$                            | 2.7             | 2.2                                    |           |         |
|           |                           | $I_{OH} = -18 \text{ mA}$                            | 3.0             | 2.4                                    |           |         |
|           |                           | $I_{OH} = -24 \text{ mA}$                            | 3.0             | 2.2                                    |           |         |
| $V_{OL}$  | LOW Level Output Voltage  | $I_{OL} = 100 \mu A$                                 | 2.3 - 3.6       |  | 0.2       | V       |
|           |                           | $I_{OL} = 8 \text{ mA}$                              | 2.3             |  | 0.6       |         |
|           |                           | $I_{OL} = 12 \text{ mA}$                             | 2.7             |  | 0.4       |         |
|           |                           | $I_{OL} = 16 \text{ mA}$                             | 3.0             |  | 0.4       |         |
|           |                           | $I_{OL} = 24 \text{ mA}$                             | 3.0             |  | 0.55      |         |
| $I_I$     | Input Leakage Current     | $0 \leq V_I \leq 5.5V$                               | 2.3 - 3.6       |  | $\pm 5.0$ | $\mu A$ |
| $I_{OZ}$  | 3-STATE Output Leakage    | $0 \leq V_O \leq 5.5V$<br>$V_I = V_{IH}$ or $V_{IL}$ | 2.3 - 3.6       |  | $\pm 5.0$ | $\mu A$ |
| $I_{OFF}$ | Power-Off Leakage Current | $V_I$ or $V_O = 5.5V$                                | 0               |  | 10        | $\mu A$ |

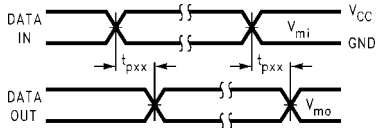
| DC Electrical Characteristics (Continued)   |   |   |                        |                                 |      |                              |     |       |
|---|---|---|------------------------|---------------------------------|------|------------------------------|-----|-------|
| Symbol  | Parameter                                   | Conditions  | V <sub>CC</sub><br>(V) | T <sub>A</sub> = -40°C to +85°C |      | Units                        |     |       |
|   |   |   |                        | Min                             | Max  |                              |     |       |
| I <sub>CC</sub>   | Quiescent Supply Current                    | V <sub>I</sub> = V <sub>CC</sub> or GND   | 2.3 – 3.6              |                                 | 20   | μA                           |     |       |
|   |   | 3.6V ≤ V <sub>I</sub> , V <sub>O</sub> ≤ 5.5V (Note 5)  | 2.3 – 3.6              |                                 | ±20  |                              |     |       |
| ΔI <sub>CC</sub>  | Increase in I <sub>CC</sub> per Input       | V <sub>IH</sub> = V <sub>CC</sub> - 0.6V  | 2.3 – 3.6              |                                 | 500  | μA                           |     |       |
| <b>Note 5:</b> Outputs disabled or 3-STATE only.  |   |   |                        |                                 |      |                              |     |       |
| AC Electrical Characteristics   |   |   |                        |                                 |      |                              |     |       |
| Symbol  | Parameter                                   | T <sub>A</sub> = -40°C to +85°C, R <sub>L</sub> = 500 Ω   |                        |                                 |      |                              |     | Units |
|   |   | V <sub>CC</sub> = 3.3V ± 0.3V   |                        | V <sub>CC</sub> = 2.7V          |      | V <sub>CC</sub> = 2.5 ± 0.2V |     |       |
|   |   | C <sub>L</sub> = 50 pF  |                        | C <sub>L</sub> = 50 pF          |      | C <sub>L</sub> = 30 pF       |     |       |
|   |   | Min   | Max                    | Min                             | Max  | Min                          | Max |       |
| t <sub>PHL</sub>  | Propagation Delay                           | 1.5   | 4.5                    | 1.5                             | 5.3  | 1.5                          | 5.4 | ns    |
| t <sub>PLH</sub>  | Data to Output                              | 1.5   | 4.5                    | 1.5                             | 5.3  | 1.5                          | 5.4 |       |
| t <sub>PZL</sub>  | Output Enable Time                          | 1.5   | 5.4                    | 1.5                             | 6.0  | 1.5                          | 7.0 | ns    |
| t <sub>PZH</sub>  |   | 1.5   | 5.4                    | 1.5                             | 6.0  | 1.5                          | 7.0 |       |
| t <sub>PLZ</sub>  | Output Disable Time                         | 1.5   | 5.3                    | 1.5                             | 5.4  | 1.5                          | 6.4 | ns    |
| t <sub>PHZ</sub>  |   | 1.5   | 5.3                    | 1.5                             | 5.4  | 1.5                          | 6.4 |       |
| t <sub>OSSL</sub>   | Output to Output Skew (Note 6)              |   | 1.0                    |                                 |      |                              |     | ns    |
| t <sub>OSLH</sub>   |   |   | 1.0                    |                                 |      |                              |     |       |
| <b>Note 6:</b> Skew is defined as the absolute value of the difference between the actual propagation delay for any two separate outputs of the same device. The specification applies to any outputs switching in the same direction, either HIGH-to-LOW (t <sub>OSSL</sub> ) or LOW-to-HIGH (t <sub>OSLH</sub> ). |   |   |                        |                                 |      |                              |     |       |
| Dynamic Switching Characteristics   |   |   |                        |                                 |      |                              |     |       |
| Symbol  | Parameter                                   | Conditions  | V <sub>CC</sub><br>(V) | T <sub>A</sub> = 25°C           | Unit |                              |     |       |
|   |   |   |                        | Typical                         |      |                              |     |       |
| V <sub>OLP</sub>  | Quiet Output Dynamic Peak V <sub>OL</sub>   | C <sub>L</sub> = 50 pF, V <sub>IH</sub> = 3.3V, V <sub>IL</sub> = 0V<br>C <sub>L</sub> = 30pF, V <sub>IH</sub> = 2.5V, V <sub>IL</sub> = 0V | 3.3<br>2.5             | 0.8<br>0.6                      | V    |                              |     |       |
| V <sub>OLV</sub>  | Quiet Output Dynamic Valley V <sub>OL</sub> | C <sub>L</sub> = 50 pF, V <sub>IH</sub> = 3.3V, V <sub>IL</sub> = 0V<br>C <sub>L</sub> = 30pF, V <sub>IH</sub> = 2.5V, V <sub>IL</sub> = 0V | 3.3<br>2.5             | -0.8<br>-0.6                    | V    |                              |     |       |
| Capacitance   |   |   |                        |                                 |      |                              |     |       |
| Symbol  | Parameter                                   | Conditions  | Typical                | Units                           |      |                              |     |       |
| C <sub>IN</sub>   | Input Capacitance                           | V <sub>CC</sub> = Open, V <sub>I</sub> = 0V or V <sub>CC</sub>  | 7                      | pF                              |      |                              |     |       |
| C <sub>OUT</sub>  | Output Capacitance                          | V <sub>CC</sub> = 3.3V, V <sub>I</sub> = 0V or V <sub>CC</sub>  | 8                      | pF                              |      |                              |     |       |
| C <sub>PD</sub>   | Power Dissipation Capacitance               | V <sub>CC</sub> = 3.3V, V <sub>I</sub> = 0V or V <sub>CC</sub> , f = 10 MHz   | 20                     | pF                              |      |                              |     |       |

**AC LOADING and WAVEFORMS** Generic for LCX Family

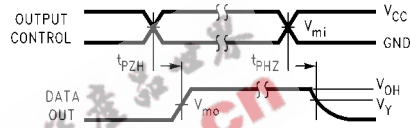


**FIGURE 1. AC Test Circuit ( $C_L$  includes probe and jig capacitance)**

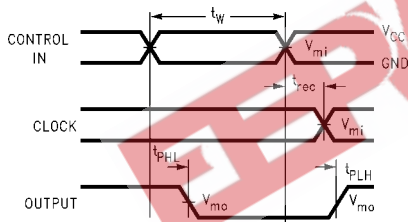
| Test               | Switch  |
|--------------------|---|
| $t_{PLH}, t_{PHL}$ | Open  |
| $t_{PZL}, t_{PLZ}$ | 6V at $V_{CC} = 3.3 \pm 0.3V$<br>$V_{CC} \times 2$ at $V_{CC} = 2.5 \pm 0.2V$ |
| $t_{PZH}, t_{PHZ}$ | GND   |



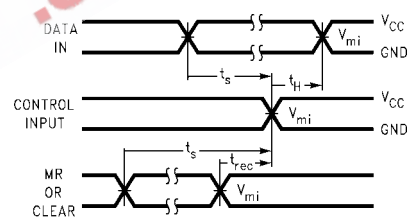
**Waveform for Inverting and Non-Inverting Functions**



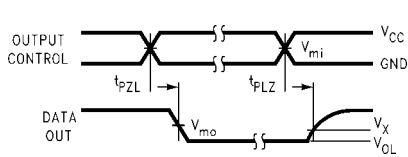
**3-STATE Output High Enable and Disable Times for Logic**



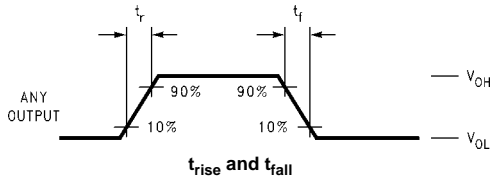
**Propagation Delay, Pulse Width and  $t_{rec}$  Waveforms**



**Setup Time, Hold Time and Recovery Time for Logic**



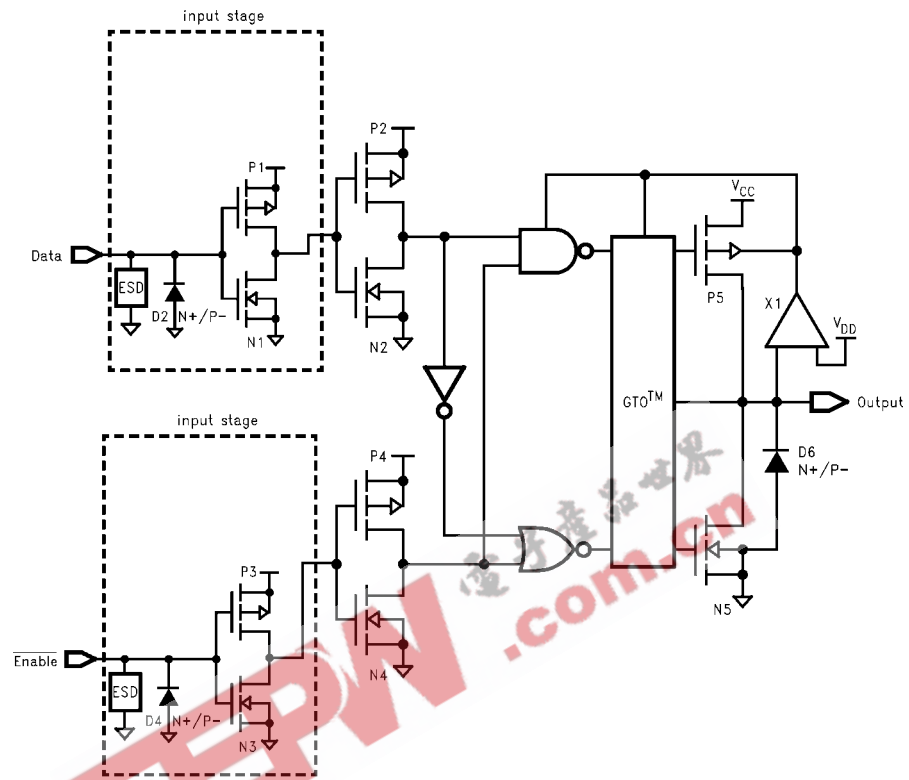
**3-STATE Output Low Enable and Disable Times for Logic**



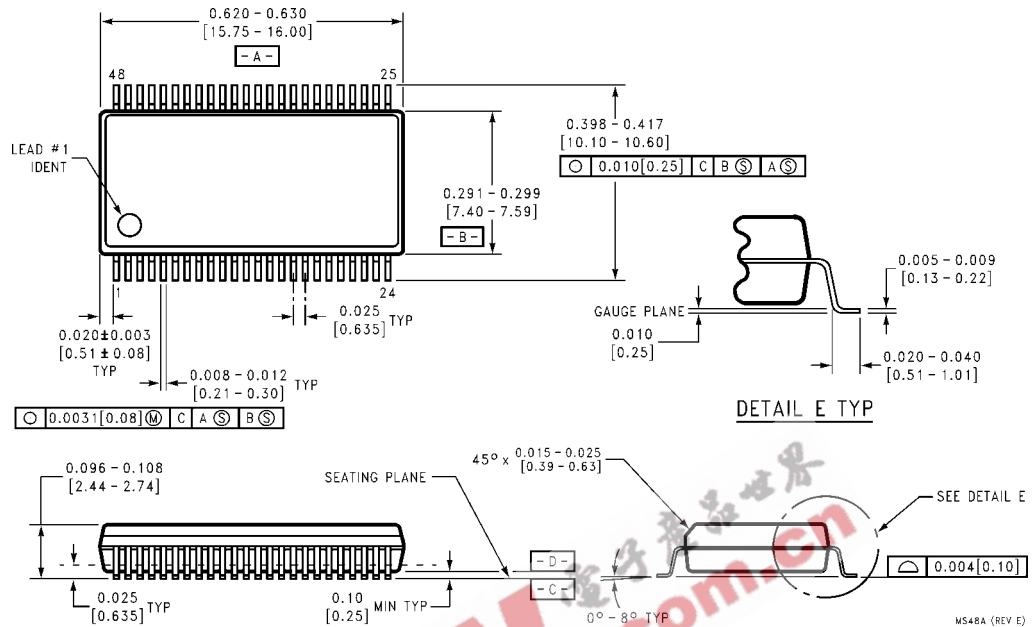
**FIGURE 2. Waveforms (Input Characteristics;  $f = 1MHz, t_R = t_F = 3ns$ )**

| Symbol   | $V_{CC}$        |                 |                  |
|----------|-----------------|-----------------|------------------|
|          | $3.3V \pm 0.3V$ | 2.7V            | $2.5V \pm 0.2V$  |
| $V_{mi}$ | 1.5V            | 1.5V            | $V_{CC}/2$       |
| $V_{mo}$ | 1.5V            | 1.5V            | $V_{CC}/2$       |
| $V_x$    | $V_{OL} + 0.3V$ | $V_{OL} + 0.3V$ | $V_{OL} + 0.15V$ |
| $V_y$    | $V_{OH} - 0.3V$ | $V_{OH} - 0.3V$ | $V_{OH} - 0.15V$ |

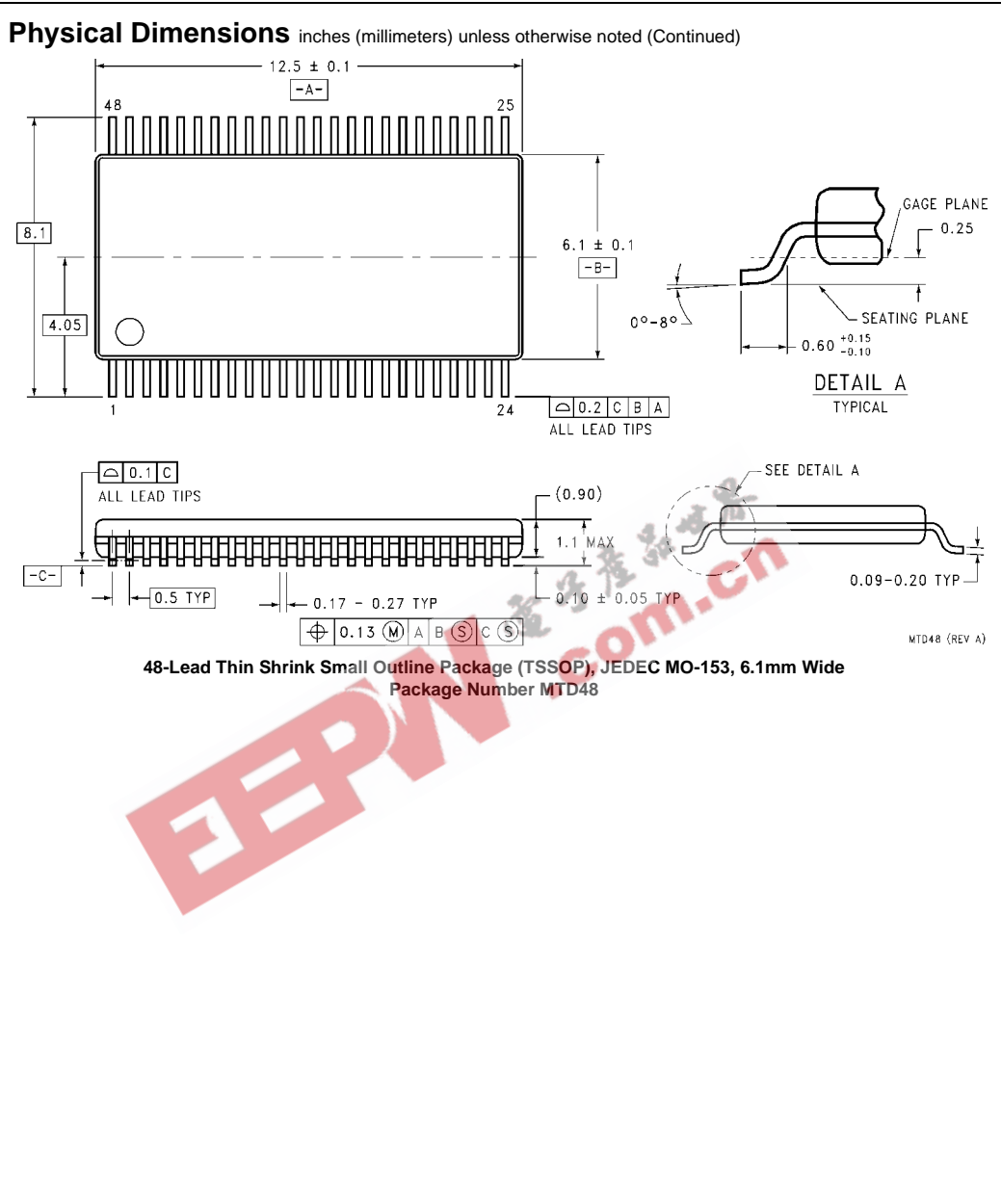
**Schematic Diagram** Generic for LCX Family



**Physical Dimensions** inches (millimeters) unless otherwise noted



**48-Lead Small Shrink Outline Package (SSOP), JEDEC MO-118, 0.300" Wide  
Package Number MS48A**



**LIFE SUPPORT POLICY**

FAIRCHILD'S PRODUCTS ARE NOT AUTHORIZED FOR USE AS CRITICAL COMPONENTS IN LIFE SUPPORT DEVICES OR SYSTEMS WITHOUT THE EXPRESS WRITTEN APPROVAL OF THE PRESIDENT OF FAIRCHILD SEMICONDUCTOR CORPORATION. As used herein:

1. Life support devices or systems are devices or systems which, (a) are intended for surgical implant into the body, or (b) support or sustain life, and (c) whose failure to perform when properly used in accordance with instructions for use provided in the labeling, can be reasonably expected to result in a significant injury to the user.
2. A critical component in any component of a life support device or system whose failure to perform can be reasonably expected to cause the failure of the life support device or system, or to affect its safety or effectiveness.

[www.fairchildsemi.com](http://www.fairchildsemi.com)