

DATA SHEET

EEPW 电子產品世界
.com.cn

74LV4067

16-channel analog
multiplexer/demultiplexer

Product specification
Supersedes data of 1997 Jul 15
IC24 Data Handbook

1998 Jun 23

16-channel analog multiplexer/demultiplexer

74LV4067

FEATURES

- Optimized for low voltage applications: 1.0 to 6.0 V
- Accepts TTL input levels between $V_{CC} = 2.7$ V and $V_{CC} = 3.6$ V
- Low typ "ON" resistance:
 - 60 Ω at $V_{CC} - GND = 4.5$ V
 - 90 Ω at $V_{CC} - GND = 3.0$ V
 - 145 Ω at $V_{CC} - GND = 2.0$ V
- Typical "break before make" built in
- Output capability: non-standard
- I_{CC} category: MSI

DESCRIPTION

The 74LV4067 is a low-voltage CMOS device and is pin and function compatible with 74HC/HCT4067.

The 74LV4067 is an 16-channel analog multiplexer/demultiplexer with four address inputs (S_0 to S_3), an active LOW enable input (\bar{E}), sixteen independent inputs/outputs (Y_0 to Y_{15}) and a common input/output (Z).

The 74LV4067 contains sixteen bidirectional analog switches, each with one side connected to an independent input/output (Y_0 to Y_{15}) and the other side connected to a common input/output (Z).

With \bar{E} LOW, one of the sixteen switches is selected (low impedance ON-state) by S_0 to S_3 . All unselected switches are in the high impedance OFF-state. With \bar{E} HIGH, all switches are in the high impedance OFF-state, independent of S_0 to S_3 .

The analog inputs/outputs (Y_0 to Y_{15} , and Z) can swing between V_{CC} as a positive limit and GND as a negative limit. $V_{CC} - GND$ may not exceed 6.0 V.

QUICK REFERENCE DATA

GND = 0 V; $T_{amb} = 25^\circ\text{C}$; $t_r = t_f \leq 2.5$ ns

SYMBOL	PARAMETER	CONDITIONS	TYPICAL	UNIT
t_{PZH}/t_{PZL}	Turn "ON" time \bar{E} to V_{OS} S_n to V_{OS}	$C_L = 15$ pF $R_L = 1K\Omega$ $V_{CC} = 3.3$ V	25 27	ns
t_{PHZ}/t_{PLZ}	Turn "OFF" time \bar{E} to V_{OS} S_n to V_{OS}		25 27	ns
C_I	Input capacitance		3.5	pF
C_{PD}	Power dissipation capacitance per switch	See Notes 1 and 2	29	pF
C_S	Maximum switch capacitance independent (Y) common (Z)		5 45	pF

NOTE:

- C_{PD} is used to determine the dynamic power dissipation (P_D in μW)
 $P_D = C_{PD} \times V_{CC}^2 \times f_i + \sum (C_L \times V_{CC}^2 \times f_o)$ where:
 f_i = input frequency in MHz; C_L = output load capacity in pF;
 f_o = output frequency in MHz; C_S = max. switch capacitance in pF; V_{CC} = supply voltage in V;
 $\sum (C_L \times V_{CC}^2 \times f_o)$ = sum of the outputs.
- The condition is $V_I = GND$ to V_{CC} .

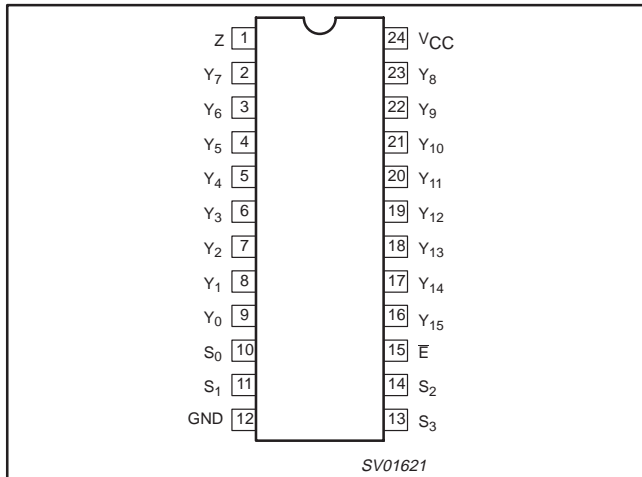
ORDERING INFORMATION

PACKAGES	TEMPERATURE RANGE	OUTSIDE NORTH AMERICA	NORTH AMERICA	PKG. DWG. #
24-Pin Plastic DIL	-40°C to +125°C	74LV4067 N	74LV4067 N	SOT101-1
24-Pin Plastic SO	-40°C to +125°C	74LV4067 D	74LV4067 D	SOT137-1
24-Pin Plastic SSOP Type II	-40°C to +125°C	74LV4067 DB	74LV4067 DB	SOT340-1
24-Pin Plastic TSSOP Type I	-40°C to +125°C	74LV4067 PW	74LV4067PW DH	SOT355-1

16-channel analog multiplexer/demultiplexer

74LV4067

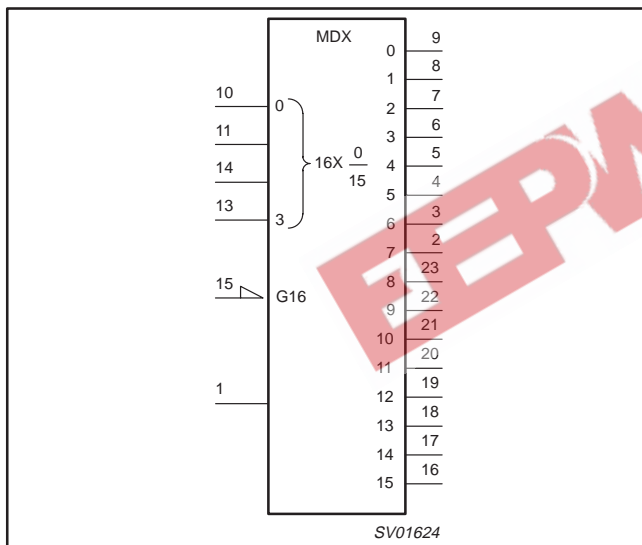
PIN CONFIGURATION



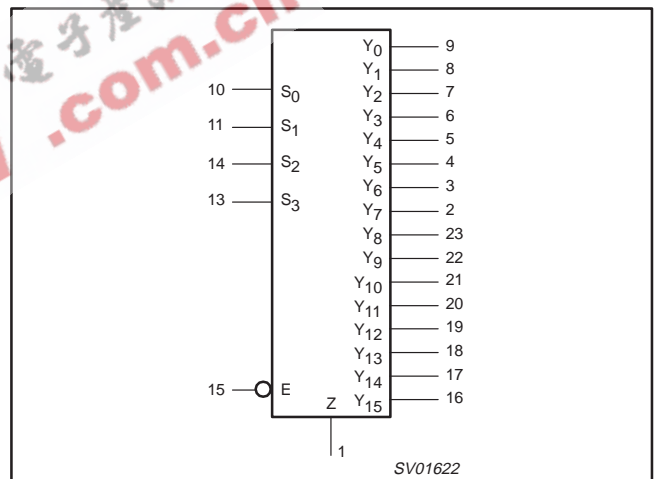
PIN DESCRIPTION

PIN NUMBER	SYMBOL	FUNCTION
1	Z	Common input/output
9, 8, 7, 6, 5, 4, 3, 2, 23, 22, 21, 20, 19, 18, 17, 16	Y ₀ to Y ₁₅	Independent inputs/outputs
10, 11, 14, 13	S ₀ to S ₃	Select inputs
12	GND	Ground (0 V)
15	\bar{E}	Enable input (active LOW)
24	V _{CC}	Positive supply voltage

LOGIC SYMBOL (IEEE/IEC)



LOGIC SYMBOL



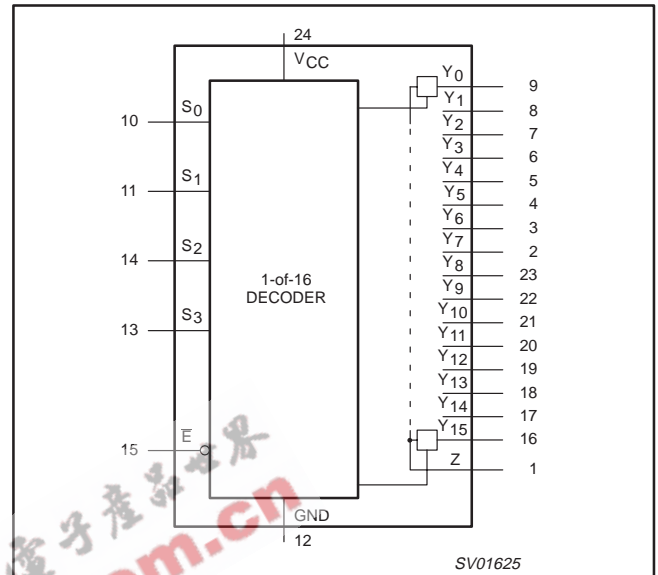
16-channel analog multiplexer/demultiplexer

74LV4067

FUNCTION TABLE

INPUTS					CHANNEL ON
\bar{E}	S ₃	S ₂	S ₁	S ₀	
L	L	L	L	L	Y ₀ - Z
L	L	L	L	H	Y ₁ - Z
L	L	L	H	L	Y ₂ - Z
L	L	L	H	H	Y ₃ - Z
L	L	H	L	L	Y ₄ - Z
L	L	H	L	H	Y ₅ - Z
L	L	H	H	L	Y ₆ - Z
L	L	H	H	H	Y ₇ - Z
L	H	L	L	L	Y ₈ - Z
L	H	L	L	H	Y ₉ - Z
L	H	L	H	L	Y ₁₀ - Z
L	H	L	H	H	Y ₁₁ - Z
L	H	H	L	L	Y ₁₂ - Z
L	H	H	L	H	Y ₁₃ - Z
L	H	H	H	L	Y ₁₄ - Z
L	H	H	H	H	Y ₁₅ - Z
H	X	X	X	X	None

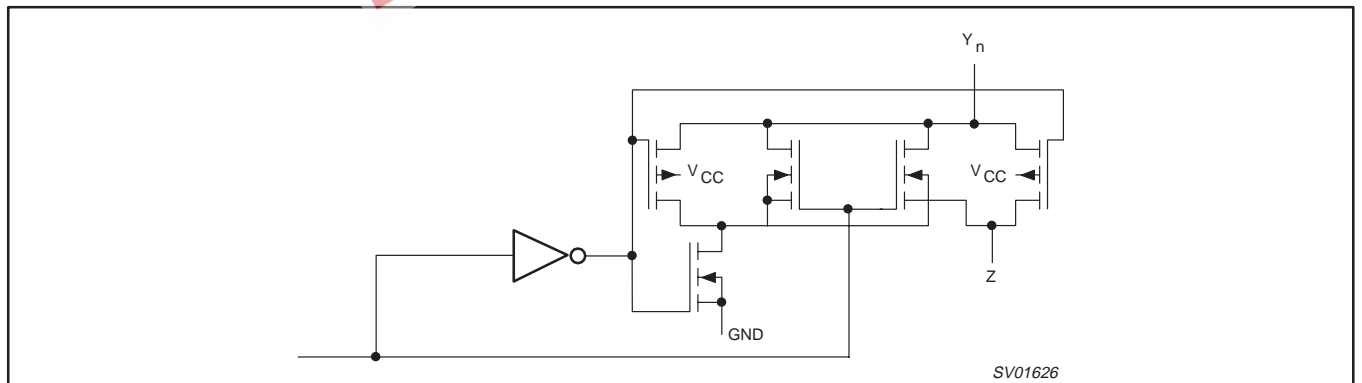
FUNCTIONAL DIAGRAM



NOTES:

- H = HIGH voltage level
- L = LOW voltage level
- X = don't care

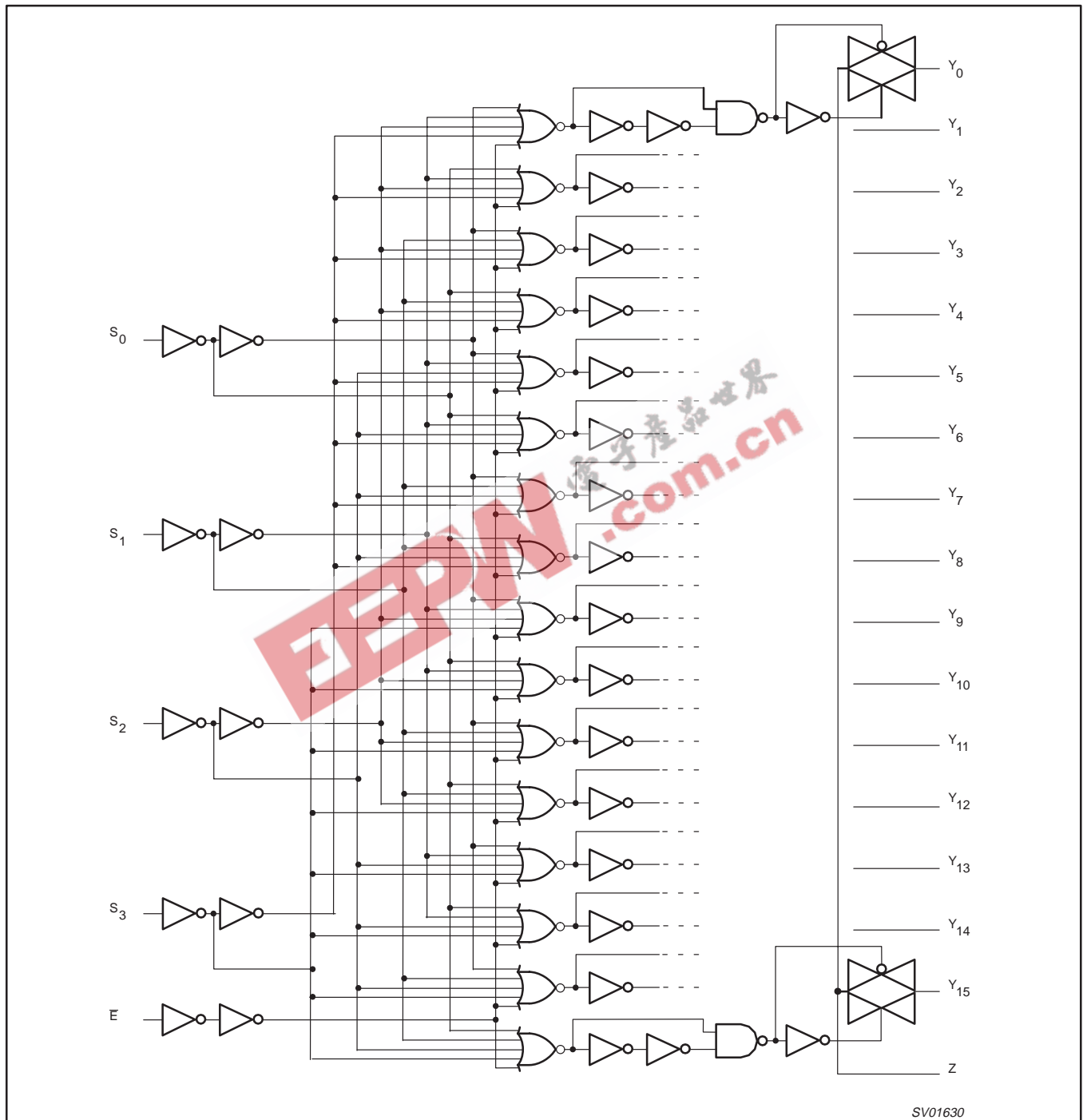
SCHEMATIC DIAGRAM (ONE SWITCH)



16-channel analog multiplexer/demultiplexer

74LV4067

LOGIC DIAGRAM



16-channel analog multiplexer/demultiplexer

74LV4067

ABSOLUTE MAXIMUM RATINGS^{1, 2}

In accordance with the Absolute Maximum Rating System (IEC 134).

Voltages are referenced to GND (ground = 0 V).

SYMBOL	PARAMETER	CONDITIONS	RATING	UNIT
V_{CC}	DC supply voltage		-0.5 to +7.0	V
$\pm I_{IK}$	DC input diode current	$V_I < -0.5$ or $V_I > V_{CC} + 0.5$ V	20	mA
$\pm I_{SK}$	DC switch diode current	$V_S < -0.5$ or $V_S > V_{CC} + 0.5$ V	20	mA
$\pm I_S$	DC switch current	-0.5 V < V_S < $V_{CC} + 0.5$ V	25	mA
T_{stg}	Storage temperature range		-65 to +150	°C
P_{TOT}	Power dissipation per package – plastic DIL – plastic mini-pack (SO) – plastic shrink mini-pack (SSOP and TSSOP)	for temperature range: -40 to +125°C above +70°C derate linearly with 12 mW/K above +70°C derate linearly with 8 mW/K above +60°C derate linearly with 5.5 mW/K	750 500 400	mW

NOTES:

- Stresses beyond those listed may cause permanent damage to the device. These are stress ratings only and functional operation of the device at these or any other conditions beyond those indicated under “recommended operating conditions” is not implied. Exposure to absolute-maximum-rated conditions for extended periods may affect device reliability.
- The input and output voltage ratings may be exceeded if the input and output current ratings are observed.

RECOMMENDED OPERATING CONDITIONS

SYMBOL	PARAMETER	CONDITIONS	MIN	TYP	MAX	UNIT
V_{CC}	DC supply voltage	See Note 1 and Figure 5	1.0	3.3	6.0	V
V_I	Input voltage		0	–	V_{CC}	V
V_O	Output voltage		0	–	V_{CC}	V
T_{amb}	Operating ambient temperature range in free air	See DC and AC characteristics	-40 -40		+85 +125	°C
t_r, t_f	Input rise and fall times	$V_{CC} = 1.0$ V to 2.0 V $V_{CC} = 2.0$ V to 2.7 V $V_{CC} = 2.7$ V to 6.0 V	– – –	– – –	500 200 100	ns/V

NOTE:

- The LV is guaranteed to function down to $V_{CC} = 1.0$ V (input levels GND or V_{CC}); DC characteristics are guaranteed from $V_{CC} = 1.2$ V to $V_{CC} = 6.0$ V.

16-channel analog multiplexer/demultiplexer

74LV4067

DC ELECTRICAL CHARACTERISTICS

Over recommended operating conditions, voltages are referenced to GND (ground = 0 V)

SYMBOL	PARAMETER	TEST CONDITIONS	LIMITS					UNIT	
			-40°C to +85°C			-40°C to +125°C			
			MIN	TYP ¹	MAX	MIN	MAX		
V_{IH}	HIGH level Input voltage	$V_{CC} = 1.2\text{ V}$	0.9			0.9		V	
		$V_{CC} = 2.0\text{ V}$	1.4			1.4			
		$V_{CC} = 2.7\text{ to }3.6\text{ V}$	2.0			2.0			
		$V_{CC} = 4.5\text{ V}$	3.15			3.15			
		$V_{CC} = 6.0\text{ V}$	4.20			4.20			
V_{IL}	LOW level Input voltage	$V_{CC} = 1.2\text{ V}$			0.3		0.3	V	
		$V_{CC} = 2.0\text{ V}$			0.6		0.6		
		$V_{CC} = 2.7\text{ to }3.6\text{ V}$			0.8		0.8		
		$V_{CC} = 4.5\text{ V}$			1.35		1.35		
		$V_{CC} = 6.0\text{ V}$			1.80		1.80		
$\pm I_I$	Input leakage current	$V_{CC} = 3.6$	$V_I = V_{CC}$ or GND			1.0		μA	
		$V_{CC} = 6.0$				2.0			2.0
$\pm I_S$	Analog switch OFF-state current per channel	$V_{CC} = 3.6$	$V_I = V_{IH}$ or V_{IL} $ V_{SI} = V_{CC} - \text{GND}$ (See Figure 2)			1.0		μA	
		$V_{CC} = 6.0$				2.0			2.0
$\pm I_S$	Analog switch ON-state current	$V_{CC} = 3.6$	$V_I = V_{IH}$ or V_{IL} $ V_{SI} = V_{CC} - \text{GND}$ (See Figure 3)			1.0		μA	
		$V_{CC} = 6.0$				2.0			2.0
I_{CC}	Quiescent supply current	$V_{CC} = 3.6\text{ V}$	$V_I = V_{CC}$ or GND			20.0		μA	
		$V_{CC} = 6.0\text{ V}$	$V_{IS} = \text{GND}$ or V_{CC} ; $V_{OS} = V_{CC}$ or GND			40.0			80
ΔI_{CC}	Additional quiescent supply current per input	$V_{CC} = 2.7\text{ to }3.6\text{ V}$	$V_I = V_{CC} - 0.6\text{ V}$			500		μA	
R_{ON}	ON-resistance (peak)	$V_{CC} = 1.2\text{ V}$	$V_I = V_{IH}$ or V_{IL} ; $I_S = 100\ \mu\text{A}$; $V_{IS} = V_{CC}$ to GND					Ω	
		$V_{CC} = 2.0\text{ V}$			145	325	375		
		$V_{CC} = 2.7\text{ V}$		$V_I = V_{IH}$ or V_{IL} ; $I_S = 1000\ \mu\text{A}$; $V_{IS} = V_{CC}$ to GND		90	200		235
		$V_{CC} = 3.0\text{ to }3.6\text{ V}$				80	180		210
		$V_{CC} = 4.5\text{ V}$				60	135		160
$V_{CC} = 6.0\text{ V}$		55	125		145				
R_{ON}	ON-resistance (rail)	$V_{CC} = 1.2\text{ V}$	$V_I = V_{IH}$ or V_{IL} ; $I_S = 100\ \mu\text{A}$; $V_{IS} = \text{GND}$			225		Ω	
		$V_{CC} = 2.0\text{ V}$			110	235	270		
		$V_{CC} = 2.7\text{ V}$		$V_I = V_{IH}$ or V_{IL} ; $I_S = 1000\ \mu\text{A}$; $V_{IS} = \text{GND}$		70	145		165
		$V_{CC} = 3.0\text{ to }3.6\text{ V}$				60	130		150
		$V_{CC} = 4.5\text{ V}$				45	100		115
$V_{CC} = 6.0\text{ V}$		40	85		100				

NOTES:

- All typical values are measured at $T_{amb} = 25^\circ\text{C}$.
- At supply voltages approaching 1.2 V, the analog switch ON-resistance becomes extremely non-linear. Therefore, it is recommended that these devices be used to transmit digital signals only, when using these supply voltages.
- R_{ON} (MAX) data is preliminary.

16-channel analog multiplexer/demultiplexer

74LV4067

DC ELECTRICAL CHARACTERISTICS (Continued)

SYMBOL	PARAMETER	TEST CONDITIONS	LIMITS					UNIT
			-40°C to +85°C			-40°C to +125°C		
			MIN	TYP ¹	MAX	MIN	MAX	
R _{ON}	ON-resistance (rail)	V _{CC} = 1.2 V		250				Ω
		V _{CC} = 2.0 V		120	320		370	Ω
		V _{CC} = 2.7 V		75	195		225	
		V _{CC} = 3.0 to 3.6 V		70	175		205	
		V _{CC} = 4.5 V		50	130		150	
		V _{CC} = 6.0 V		45	120		135	
ΔR _{ON}	Maximum variation of ON-resistance between any two channels	V _{CC} = 1.2 V						Ω
		V _{CC} = 2.0 V		5				
		V _{CC} = 2.7 V		4				
		V _{CC} = 3.0 to 3.6 V		4				
		V _{CC} = 4.5 V		3				
		V _{CC} = 6.0 V		2				

NOTES:

- All typical values are measured at T_{amb} = 25°C.
- At supply voltages approaching 1.2 V, the analog switch ON-resistance becomes extremely non-linear. Therefore, it is recommended that these devices be used to transmit digital signals only, when using these supply voltages.
- R_{ON} (MAX) data is preliminary.

16-channel analog multiplexer/demultiplexer

74LV4067

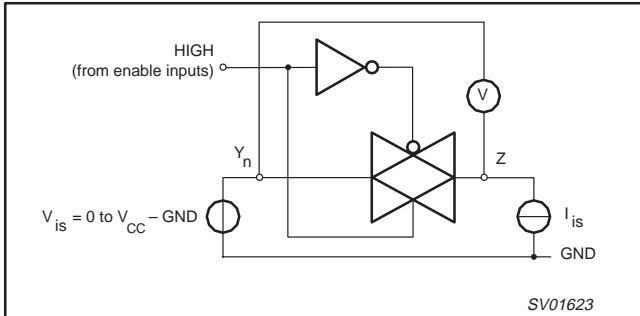


Figure 1. Test circuit for measuring ON-resistance (R_{ON}).

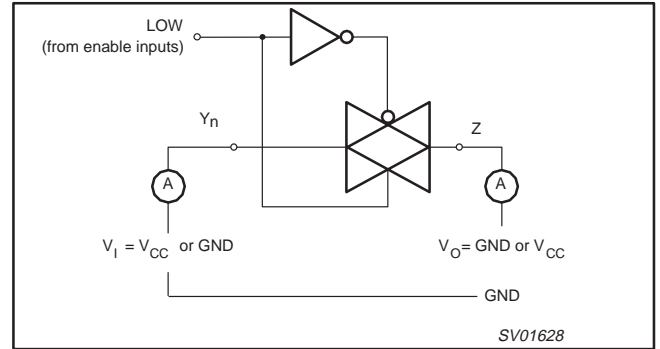


Figure 2. Test circuit for measuring OFF-state current.

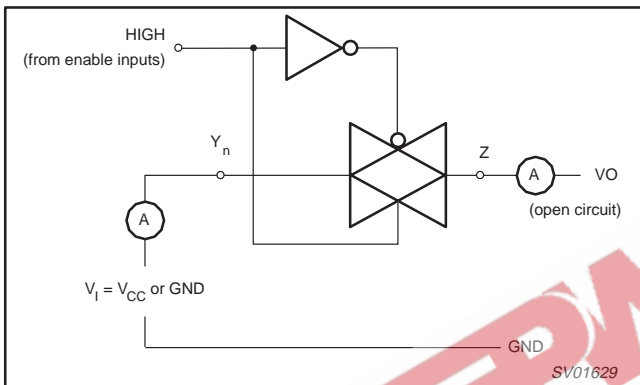


Figure 3. Test circuit for measuring ON-state current.

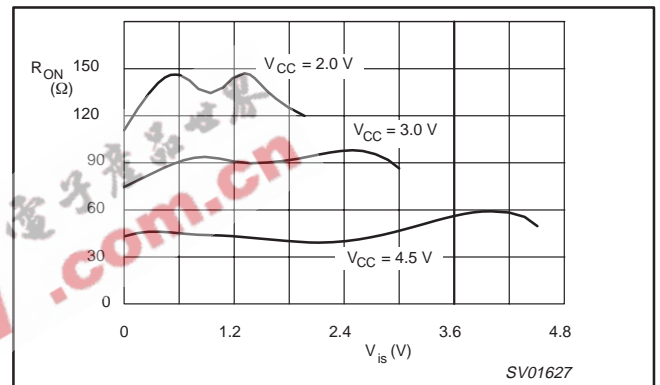


Figure 4. Typical ON-resistance (R_{ON}) as a function of input voltage (V_{is} for $V_{is} = 0$ to $V_{CC} - GND$).

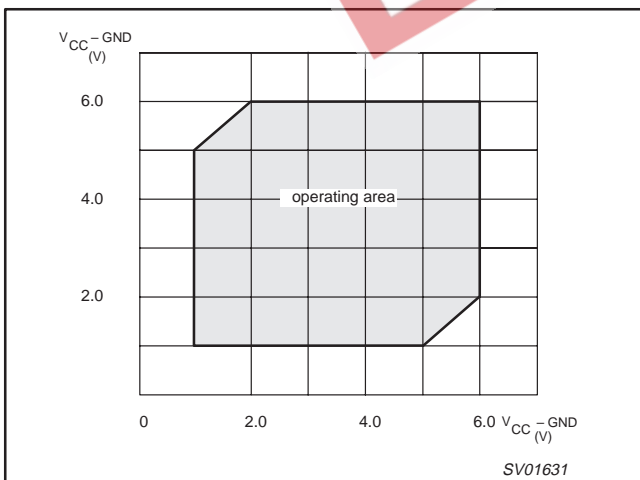


Figure 5. Guaranteed operating area as a function of the supply voltages.

16-channel analog multiplexer/demultiplexer

74LV4067

AC CHARACTERISTICSGND = 0 V; $t_r = t_f \leq 2.5\text{ns}$; $C_L = 50\text{pF}$

SYMBOL	PARAMETER	CONDITION		LIMITS					UNIT
				-40 to +85 °C			-40 to +125 °C		
		V_{CC} (V)	OTHER	MIN	TYP ¹	MAX	MIN	MAX	
t_{PHL}/t_{PLH}	Propagation delay V_{is} to V_{os} Z to Y_n	1.2	$R_L = \infty$; $C_L = 50\text{pF}$ Figure 13		30				
		2.0			10	19		24	
		2.7			8	14		18	
		3.0 to 3.6			6 ²	11		14	
		4.5			5	9		12	
		6.0		4	7		9		
t_{PHL}/t_{PLH}	Propagation delay V_{is} to V_{os} Y_n to Z	1.2	$R_L = \infty$; $C_L = 50\text{pF}$ Figure 13		45				
		2.0			15	31		36	
		2.7			11	23		26	
		3.0 to 3.6			9 ²	18		21	
		4.5			8	15		18	
		6.0		6	12		14		
t_{PZH}/t_{PZL}	Turn-on time \bar{E} to Y_n	1.2	$R_L = 1\text{k}\Omega$; $C_L = 50\text{pF}$ Figures 14 and 15		145				
		2.0			49	94		112	
		2.7			36	69		86	
		3.0 to 3.6			28 ²	55		66	
		4.5			25	47		56	
		6.0		19	38		43		
t_{PZH}/t_{PZL}	Turn-on time Z to Y_n	1.2	$R_L = 1\text{k}\Omega$; $C_L = 50\text{pF}$ Figures 14 and 15		160				
		2.0			54	102		122	
		2.7			40	75		94	
		3.0 to 3.6			30 ²	60		72	
		4.5			27	51		61	
		6.0		21	39		47		
t_{PHZ}/t_{PLZ}	Turn-off time \bar{E} to Y_n	1.2	$R_L = 1\text{k}\Omega$; $C_L = 50\text{pF}$ Figures 14 and 15		125				
		2.0			43	80		95	
		2.7			33	59		71	
		3.0 to 3.6			26 ²	48		57	
		4.5			23	41		49	
		6.0		18	32		38		
t_{PHZ}/t_{PLZ}	Turn-off time S_n to Y_n	1.2	$R_L = 1\text{k}\Omega$; $C_L = 50\text{pF}$ Figures 14 and 15		140				
		2.0			49	90		109	
		2.7			37	67		81	
		3.0 to 3.6			29 ²	54		65	
		4.5			26	46		56	
		6.0		20	36		43		

NOTES:

1. Unless otherwise stated, all typical values are measured at $T_{amb} = 25^\circ\text{C}$
2. Typical values are measured at $V_{CC} = 3.3\text{V}$.

16-channel analog multiplexer/demultiplexer

74LV4067

AC CHARACTERISTICS (Continued)GND = 0 V; $t_r = t_f \leq 2.5\text{ns}$; $C_L = 50\text{pF}$

SYMBOL	PARAMETER	CONDITION		-40 to +85 °C			-40 to +125 °C		UNIT
		V _{CC} (V)	OTHER	MIN	TYP ¹	MAX	MIN	MAX	
t _{PZH} /t _{PZL}	Turn-on time E to Z	1.2	R _L = 1kΩ C _L = 50 pF Figures 14 and 15		145				ns
		2.0			51	93		110	
		2.7			39	70		83	
		3.0 to 3.6			29 ²	56		66	
		4.5			26	48		56	
		6.0			20	36		43	
t _{PZH} /t _{PZL}	Turn-on time S _n to Y _n	1.2	R _L = 1kΩ C _L = 50 pF Figures 14 and 15		170				ns
		2.0			58	109		131	
		2.7			42	80		96	
		3.0 to 3.6			32 ²	64		77	
		4.5			29	54		65	
		6.0			21	42		50	
t _{PHZ} /t _{PLZ}	Turn-off time E to Z	1.2	R _L = 1kΩ C _L = 50 pF Figures 14 and 15		145				ns
		2.0			51	93		110	
		2.7			38	69		82	
		3.0 to 3.6			30 ²	56		66	
		4.5			29	48		56	
		6.0			21	37		44	
t _{PHZ} /t _{PLZ}	Turn-off time S _n to Y _n	1.2	R _L = 1kΩ C _L = 50 pF Figures 14 and 15		160				ns
		2.0			56	104		124	
		2.7			42	77		92	
		3.0 to 3.6			32 ²	62		74	
		4.5			29	53		61	
		6.0			23	41		49	

NOTES:

1. Unless otherwise stated, all typical values are measured at T_{amb} = 25°C
2. Typical values are measured at V_{CC} = 3.3 V.

16-channel analog multiplexer/demultiplexer

74LV4067

ADDITIONAL AC CHARACTERISTICS

Recommended conditions and typical values
 GND = 0 V; $t_r = t_f \leq 2.5\text{ns}$

SYMBOL	PARAMETER	TYP.	UNIT	V _{CC} (V)	V _{is(p-p)} (V)	CONDITIONS
	Sine-wave distortion f = 1 kHz	0.80 0.40	%	3.0 6.0	2.75 5.50	R _L = 10 kΩ; C _L = 50 pf Figures 10 and 11
	Sine-wave distortion f = 10 kHz	2.40 1.20	%	3.0 6.0	2.75 5.50	R _L = 10 kΩ; C _L = 50 pf Figures 10 and 11
	Switch "OFF" signal feed through	-50 -50	dB	3.0 6.0	Note 1	R _L = 600 Ω; C _L = 50 pf; f = 1 MHz Figures 6 and 12
	Crosstalk between any two switches/multiplexers	-60 -60	dB	3.0 6.0	Note 1	R _L = 600 Ω; C _L = 50 pf; f = 1 MHz Figure 8
V _(p-p)	Crosstalk voltage between enable or address input to any switch (peak-to-peak value)	110 120	mV	3.0 6.0		R _L = 600 Ω; C _L = 50 pf; f = 1 MHz (S _n or E, square wave between V _{CC} and GND t _r = t _f = 6 ns) Figure 9
f _{max}	Minimum frequency response (-3 dB)	180 200	MHz	3.0 6.0	Note 2	R _L = 50 Ω; C _L = 50 pF Figures 7 and 10
C _S	Maximum switch capacitance	5	pf			

GENERAL NOTES:

V_{is} is the input voltage at nY or Z terminal, whichever is assigned as an input.
 V_{os} is the output voltage at nY or Z terminal, whichever is assigned as an output.

NOTES:

- Adjust input voltage V_{is} is 0 dBm level (0 dBm = 1 mW into 600 Ω).
- Adjust input voltage V_{is} is 0 dBm level at V_{os} for 1 MHz (0 dBm = 1 mW into 50 Ω).

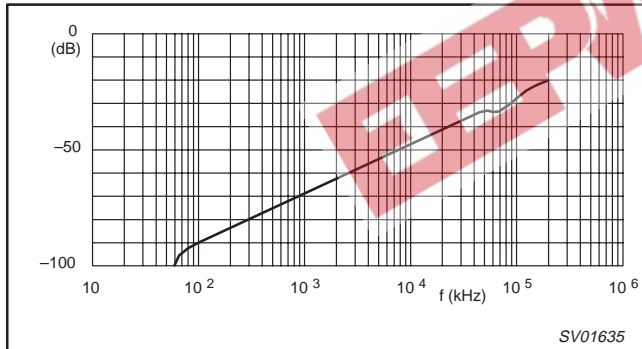


Figure 6. Typical switch "OFF" signal feed-through as a function of frequency.

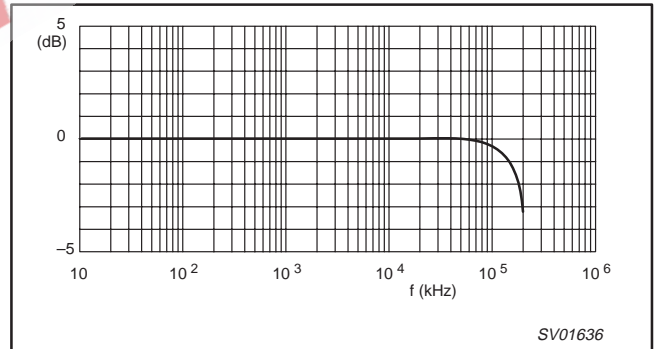


Figure 7. Typical frequency response.

NOTES TO FIGURES 6 AND 7:

Test conditions: V_{CC} = 3.0 V; GND = 0 V; R_L = 50 Ω; R_{SOURCE} = 1kΩ.

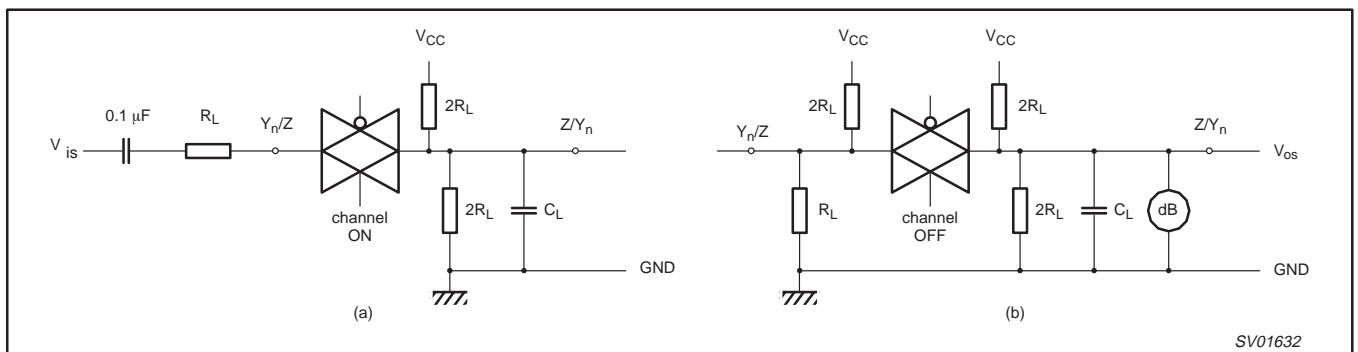


Figure 8. Test circuit for measuring crosstalk between any two switches. (a) channel ON condition; (b) channel OFF condition.

16-channel analog multiplexer/demultiplexer

74LV4067

NOTE TO FIGURE 9:

The crosstalk is defined as follows (oscilloscope output):

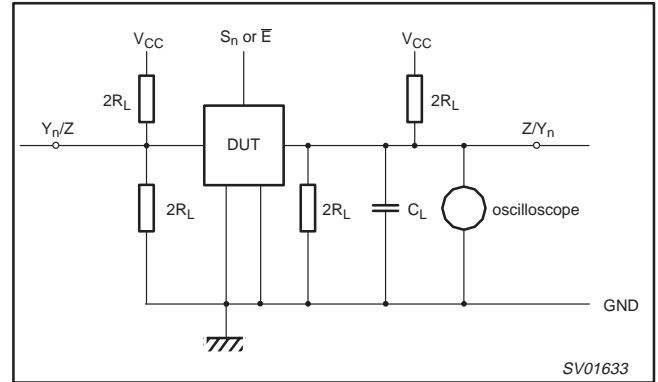
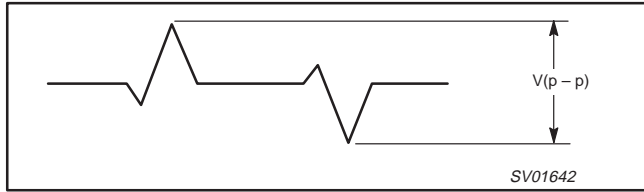


Figure 9. Test circuit for measuring crosstalk between control and any switch.

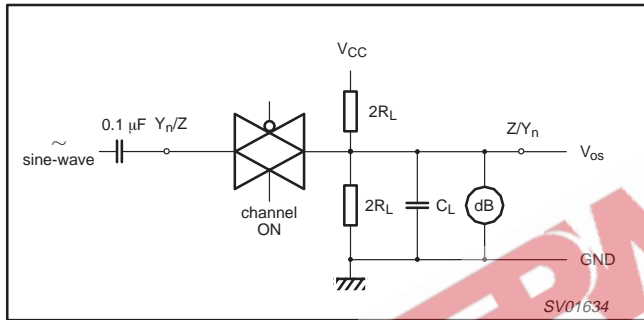


Figure 10. Test circuit for measuring minimum frequency response.

NOTE TO FIGURE 10:

Adjust input voltage to obtain 0 dBm at V_{OS} when $F_{in} = 1$ MHz. After set-up frequency of f_{in} is increased to obtain a reading of -3 dB at V_{OS} .

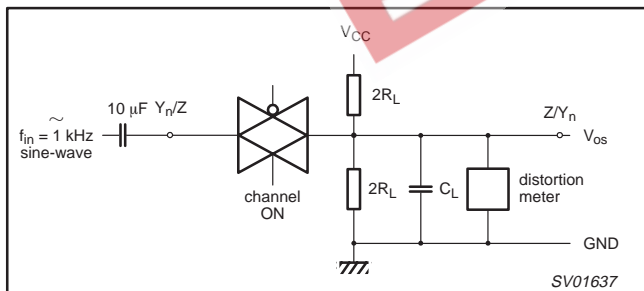


Figure 11. Test circuit for measuring sine-wave distortion.

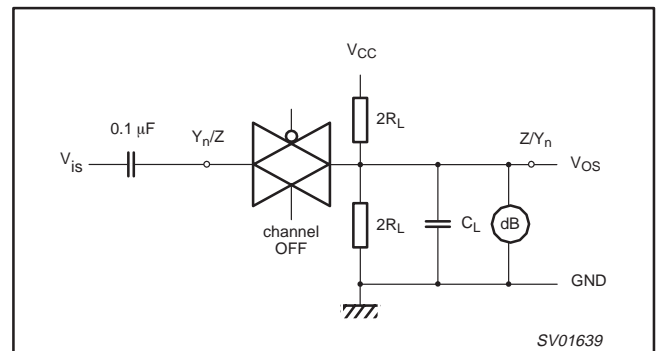


Figure 12. Test circuit for measuring switch "OFF" signal feed-through.

16-channel analog multiplexer/demultiplexer

74LV4067

WAVEFORMS

$V_M = 1.5\text{ V}$ at $2.7\text{ V} \leq V_{CC} \leq 3.6\text{ V}$
 $V_M = 0.5 \times V_{CC}$ at $2.7\text{ V} > V_{CC} > 3.6\text{ V}$
 V_{OL} and V_{OH} are the typical output voltage drop that occur with the output load
 $V_X = V_{OL} + 0.3\text{ V}$ at $2.7\text{ V} \leq V_{CC} \leq 3.6\text{ V}$
 $V_X = V_{OL} + 0.1 \times V_{CC}$ at $2.7\text{ V} > V_{CC} > 3.6\text{ V}$
 $V_Y = V_{OH} - 0.3\text{ V}$ at $2.7\text{ V} \leq V_{CC} \leq 3.6\text{ V}$
 $V_Y = V_{OH} - 0.1 \times V_{CC}$ at $2.7\text{ V} > V_{CC} > 3.6\text{ V}$

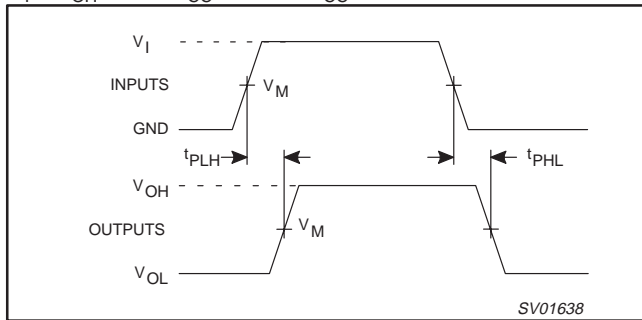


Figure 13. Input (V_{IS}) to output (V_{OS}) propagation delays.

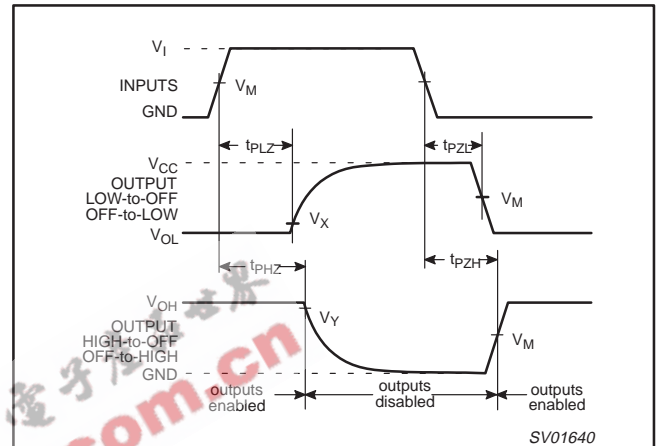


Figure 14. Turn-on and turn-off times for the inputs (S_n, E) to the output (V_{OS}).

TEST CIRCUIT

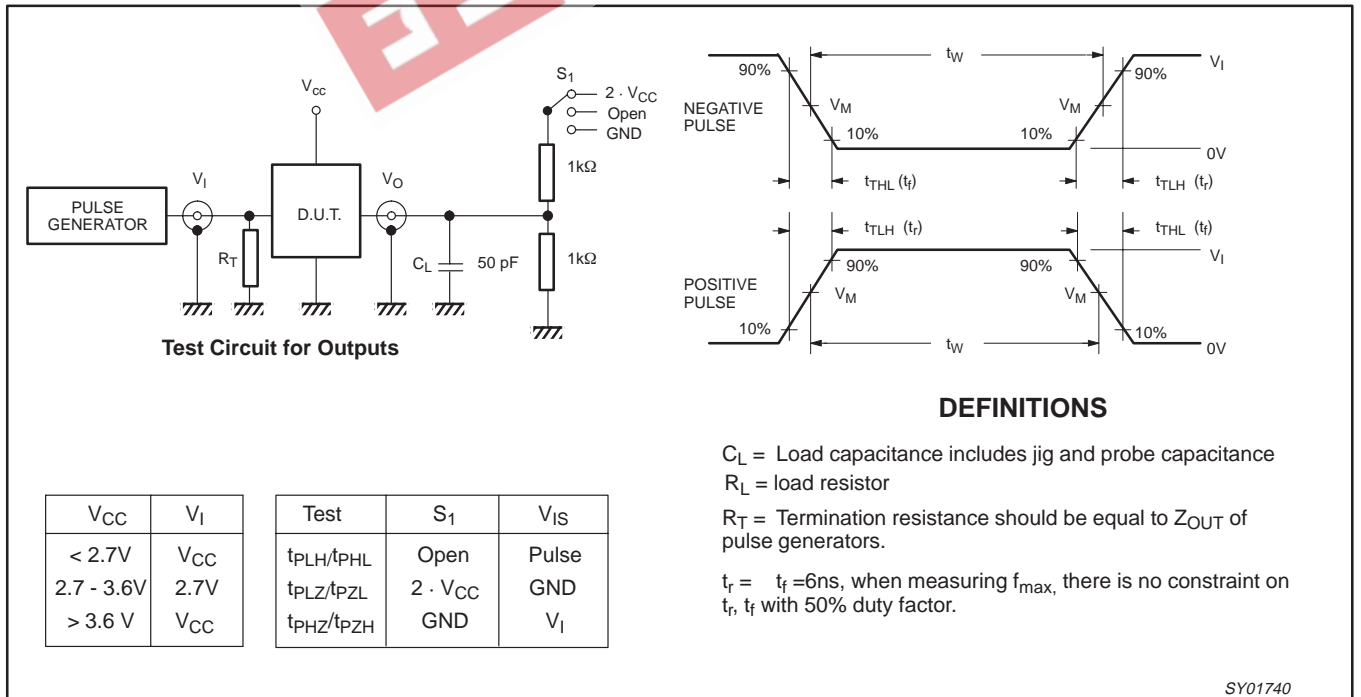


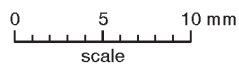
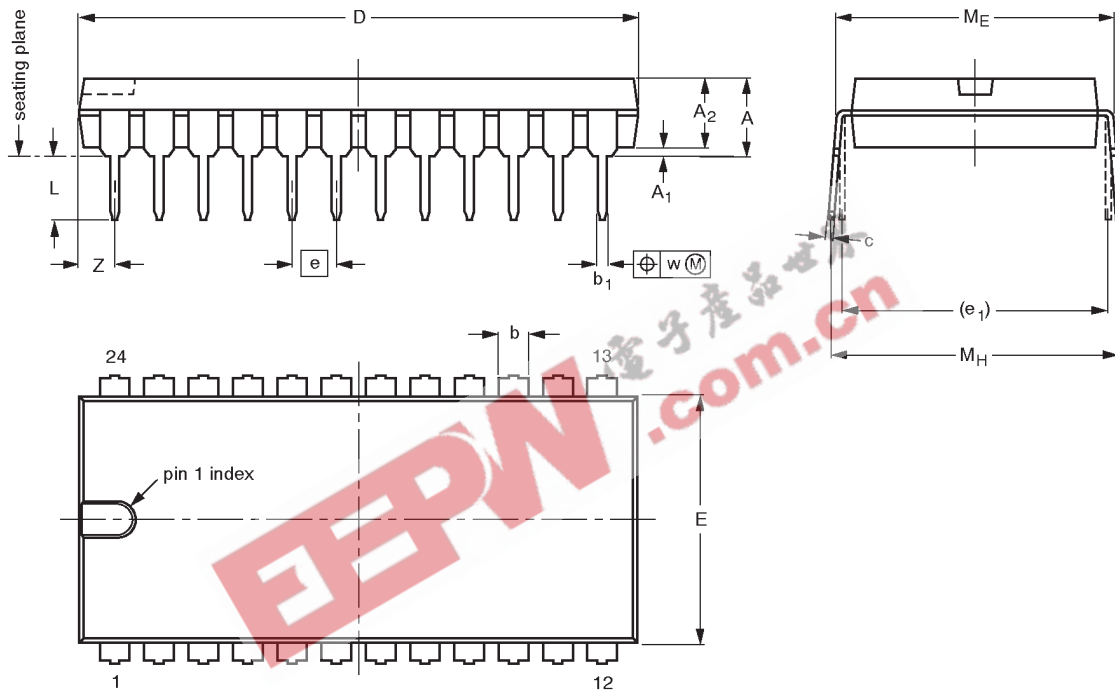
Figure 15. Load circuitry for switching times.

16-channel analog multiplexer/demultiplexer

74LV4067

DIP24: plastic dual in-line package; 24 leads (600 mil)

SOT101-1



DIMENSIONS (inch dimensions are derived from the original mm dimensions)

UNIT	A max.	A ₁ min.	A ₂ max.	b	b ₁	c	D ⁽¹⁾	E ⁽¹⁾	e	e ₁	L	M _E	M _H	w	Z ⁽¹⁾ max.
mm	5.1	0.51	4.0	1.7 1.3	0.53 0.38	0.32 0.23	32.0 31.4	14.1 13.7	2.54	15.24	3.9 3.4	15.80 15.24	17.15 15.90	0.25	2.2
inches	0.20	0.020	0.16	0.066 0.051	0.021 0.015	0.013 0.009	1.26 1.24	0.56 0.54	0.10	0.60	0.15 0.13	0.62 0.60	0.68 0.63	0.01	0.087

Note

1. Plastic or metal protrusions of 0.25 mm maximum per side are not included.

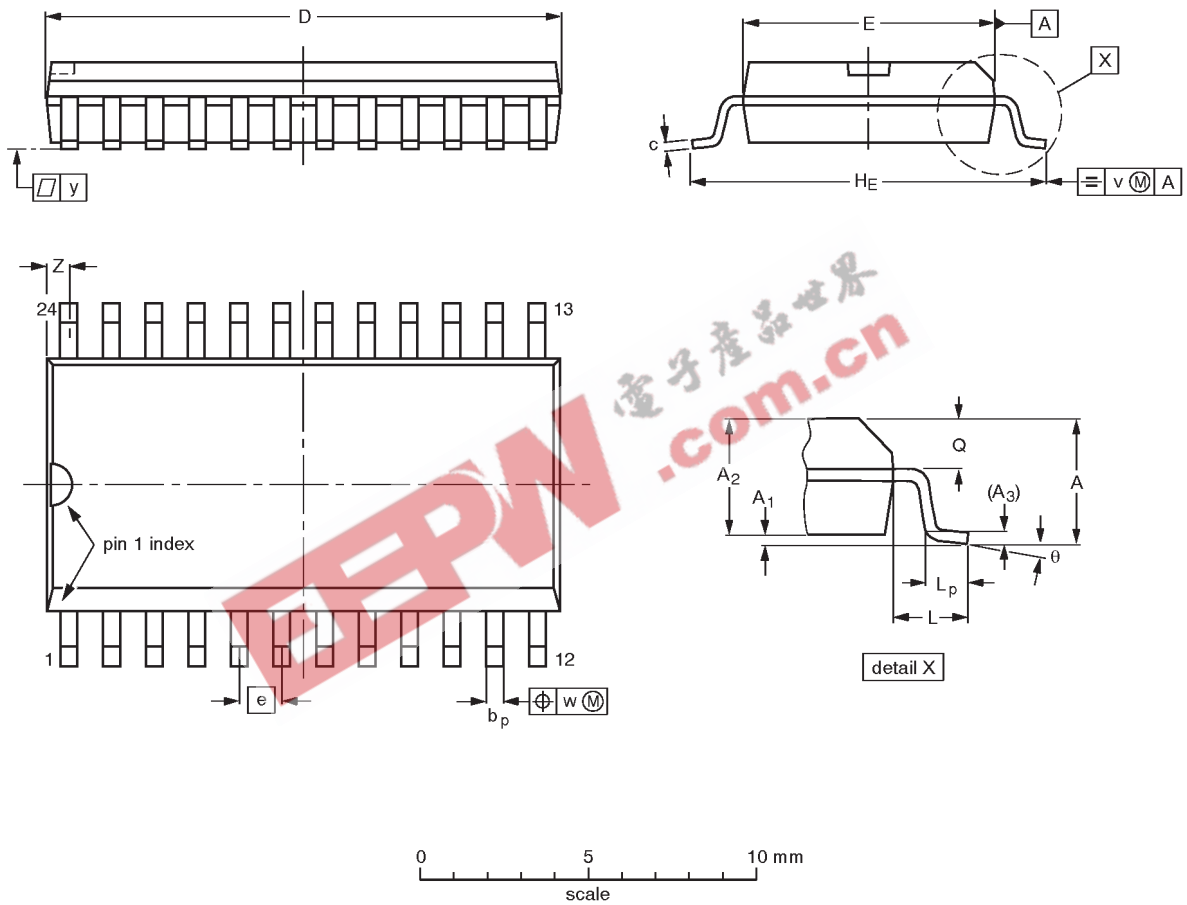
OUTLINE VERSION	REFERENCES				EUROPEAN PROJECTION	ISSUE DATE
	IEC	JEDEC	EIAJ			
SOT101-1	051G02	MO-015AD				92-11-17 95-01-23

16-channel analog multiplexer/demultiplexer

74LV4067

SO24: plastic small outline package; 24 leads; body width 7.5 mm

SOT137-1



DIMENSIONS (inch dimensions are derived from the original mm dimensions)

UNIT	A max.	A ₁	A ₂	A ₃	b _p	c	D ⁽¹⁾	E ⁽¹⁾	e	H _E	L	L _p	Q	v	w	y	Z ⁽¹⁾	θ
mm	2.65	0.30 0.10	2.45 2.25	0.25	0.49 0.36	0.32 0.23	15.6 15.2	7.6 7.4	1.27	10.65 10.00	1.4	1.1 0.4	1.1 1.0	0.25	0.25	0.1	0.9 0.4	8° 0°
inches	0.10	0.012 0.004	0.096 0.089	0.01	0.019 0.014	0.013 0.009	0.61 0.60	0.30 0.29	0.050	0.42 0.39	0.055	0.043 0.016	0.043 0.039	0.01	0.01	0.004	0.035 0.016	

Note

1. Plastic or metal protrusions of 0.15 mm maximum per side are not included.

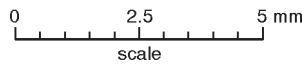
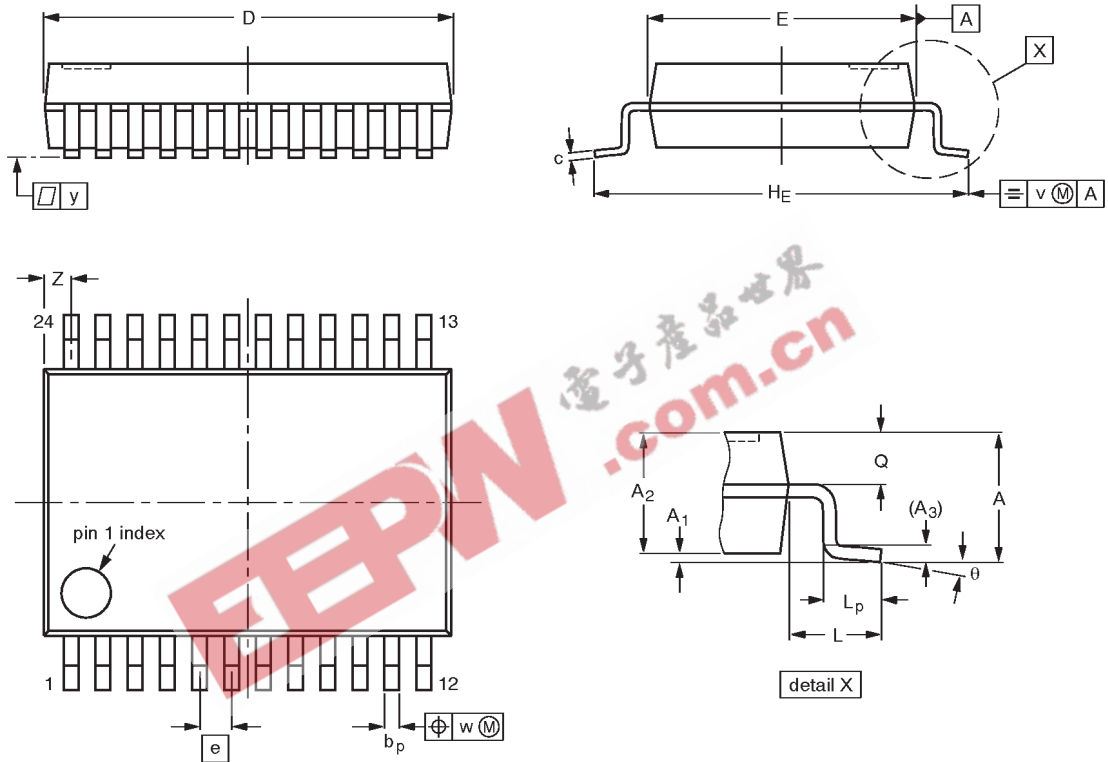
OUTLINE VERSION	REFERENCES				EUROPEAN PROJECTION	ISSUE DATE
	IEC	JEDEC	EIAJ			
SOT137-1	075E05	MS-013AD				92-11-17 95-01-24

16-channel analog multiplexer/demultiplexer

74LV4067

SSOP24: plastic shrink small outline package; 24 leads; body width 5.3 mm

SOT340-1



DIMENSIONS (mm are the original dimensions)

UNIT	A max.	A ₁	A ₂	A ₃	b _p	c	D ⁽¹⁾	E ⁽¹⁾	e	H _E	L	L _p	Q	v	w	y	Z ⁽¹⁾	θ
mm	2.0	0.21 0.05	1.80 1.65	0.25	0.38 0.25	0.20 0.09	8.4 8.0	5.4 5.2	0.65	7.9 7.6	1.25	1.03 0.63	0.9 0.7	0.2	0.13	0.1	0.8 0.4	8° 0°

Note

1. Plastic or metal protrusions of 0.20 mm maximum per side are not included.

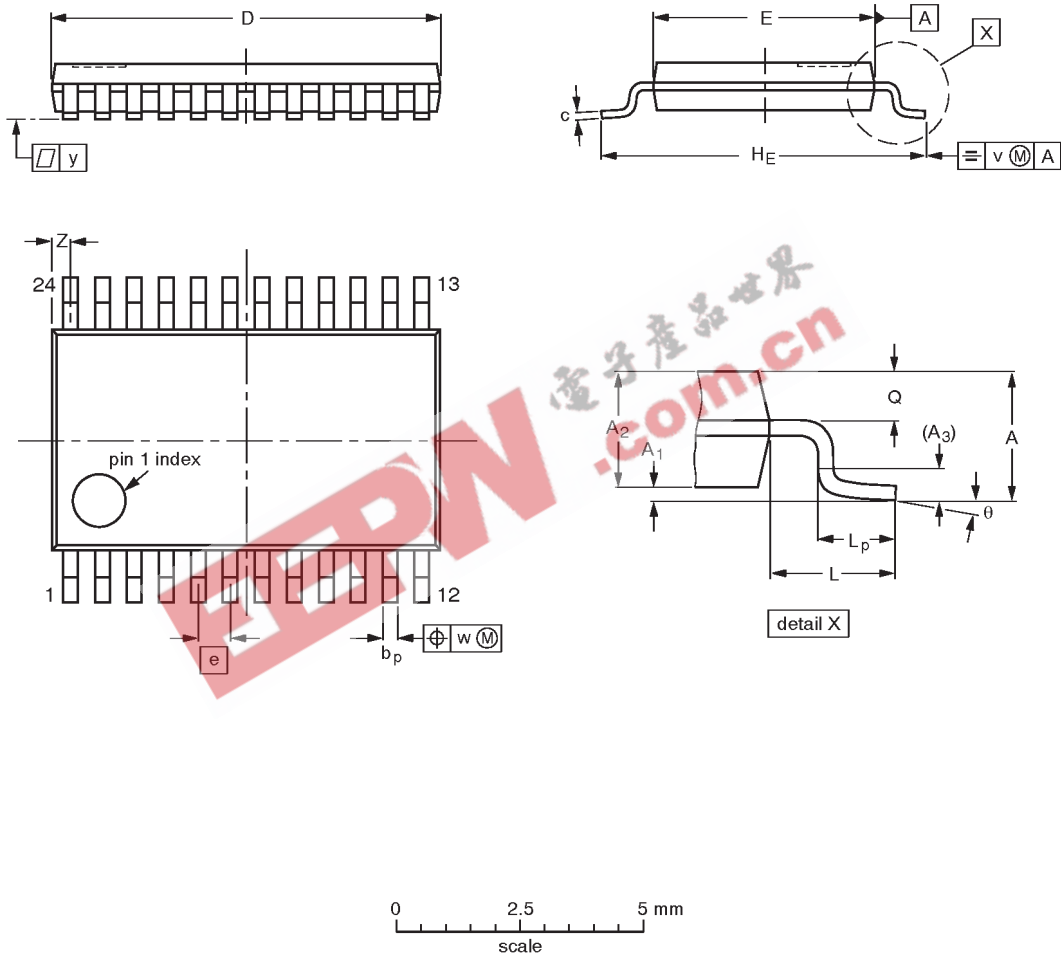
OUTLINE VERSION	REFERENCES				EUROPEAN PROJECTION	ISSUE DATE
	IEC	JEDEC	EIAJ			
SOT340-1		MO-150AG				93-09-08 95-02-04

16-channel analog multiplexer/demultiplexer

74LV4067

TSSOP24: plastic thin shrink small outline package; 24 leads; body width 4.4 mm

SOT355-1



DIMENSIONS (mm are the original dimensions)

UNIT	A max.	A ₁	A ₂	A ₃	b _p	c	D ⁽¹⁾	E ⁽²⁾	e	H _E	L	L _p	Q	v	w	y	Z ⁽¹⁾	θ
mm	1.10	0.15 0.05	0.95 0.80	0.25	0.30 0.19	0.2 0.1	7.9 7.7	4.5 4.3	0.65	6.6 6.2	1.0	0.75 0.50	0.4 0.3	0.2	0.13	0.1	0.5 0.2	8° 0°

Notes

1. Plastic or metal protrusions of 0.15 mm maximum per side are not included.
2. Plastic interlead protrusions of 0.25 mm maximum per side are not included.

OUTLINE VERSION	REFERENCES				EUROPEAN PROJECTION	ISSUE DATE
	IEC	JEDEC	EIAJ			
SOT355-1		MO-153AD				93-06-16 95-02-04

16-channel analog multiplexer/demultiplexer

74LV4067

NOTES



16-channel analog multiplexer/demultiplexer

74LV4067

DEFINITIONS

Data Sheet Identification	Product Status	Definition
<i>Objective Specification</i>	Formative or in Design	This data sheet contains the design target or goal specifications for product development. Specifications may change in any manner without notice.
<i>Preliminary Specification</i>	Preproduction Product	This data sheet contains preliminary data, and supplementary data will be published at a later date. Philips Semiconductors reserves the right to make changes at any time without notice in order to improve design and supply the best possible product.
<i>Product Specification</i>	Full Production	This data sheet contains Final Specifications. Philips Semiconductors reserves the right to make changes at any time without notice, in order to improve design and supply the best possible product.

Philips Semiconductors and Philips Electronics North America Corporation reserve the right to make changes, without notice, in the products, including circuits, standard cells, and/or software, described or contained herein in order to improve design and/or performance. Philips Semiconductors assumes no responsibility or liability for the use of any of these products, conveys no license or title under any patent, copyright, or mask work right to these products, and makes no representations or warranties that these products are free from patent, copyright, or mask work right infringement, unless otherwise specified. Applications that are described herein for any of these products are for illustrative purposes only. Philips Semiconductors makes no representation or warranty that such applications will be suitable for the specified use without further testing or modification.

LIFE SUPPORT APPLICATIONS

Philips Semiconductors and Philips Electronics North America Corporation Products are not designed for use in life support appliances, devices, or systems where malfunction of a Philips Semiconductors and Philips Electronics North America Corporation Product can reasonably be expected to result in a personal injury. Philips Semiconductors and Philips Electronics North America Corporation customers using or selling Philips Semiconductors and Philips Electronics North America Corporation Products for use in such applications do so at their own risk and agree to fully indemnify Philips Semiconductors and Philips Electronics North America Corporation for any damages resulting from such improper use or sale.

Philips Semiconductors
811 East Arques Avenue
P.O. Box 3409
Sunnyvale, California 94088-3409
Telephone 800-234-7381

© Copyright Philips Electronics North America Corporation 1998
 All rights reserved. Printed in U.S.A.

print code

Date of release: 05-96

Document order number:

9397-750-04661

Let's make things better.