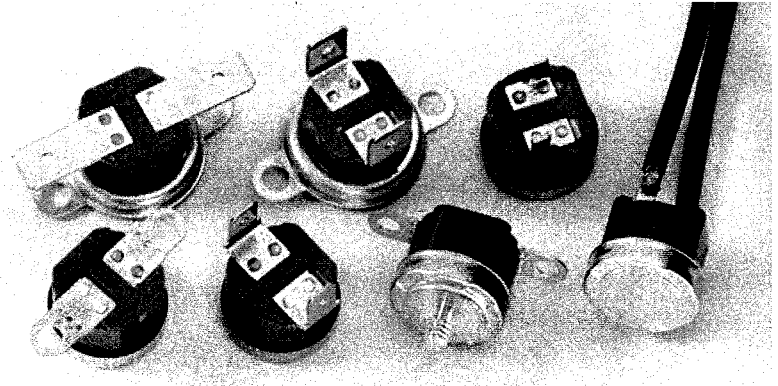


**Precision Thermostats
7BT2 Series**

High Capacity,
Environmentally Sealed
1/2" Thermostat



Features

- High Current Capacity
- Normally Open or Closed
- Pre-set, Non-adjustable Temperature Calibration
- UL Recognized, file #36418
- CSA Recognized, file #LR24458
- VDE Recognized, file #4464.4-451/A1

Overview

Description

The Klixon 7BT2 thermostat is a snap-acting disc type control designed to provide crisp, positive switching action. The bimetal disc and electrical contacts are enclosed in a stainless steel cup to provide protection from dust and other foreign particles. The 7BT2 is available in a variety of configurations, making it a versatile candidate for your thermal protection needs.

Switching Action

All 7BT2 thermostats are supplied with single pole, single throw switching that can be constructed as either *Open on Temperature Rise* or *Close on Temperature Rise*.

Temperature Ratings

The standard operating temperatures, differentials and tolerances are shown in the table below, but can be customized to meet you specific requirements.

Operating Temperature Range °F	Operating Temperature Range °C	Differential		Tolerance	
		°F	°C	°F	°C
30.0 to 204.0	-1.1 to 95.6	20.0	11.1	5.0	2.8
205.0 to 304.0	96.1 to 151.1	30.0	16.7	8.0	4.4
305.0 to 400.0	151.7 to 204.4	40.0	22.2	12.0	6.7

The standard operating temperatures, differentials and tolerances are shown in the table below, but can be customized to meet you specific requirements.

Ambient Temperature Range

-40°F to +464°F, (-40°C to +240°C)

Operating Temperature Range

+30°F to +400°F, (-1.1°C to +204.4°C)

Operating Temperature : Temperature at which normally closed contacts open or normally open contacts close.

Differential: Subtract the differential from the nominal operating temperature to determine the temperature at which the contacts will return to the normal position (reset temperature).

Performance Characteristics

Contact ratings (Amperes)

120 VAC	240VAC	Life Cycles
15	10	100,000

Based on standard Differential

Dielectric Strength

2000 VAC, rms, 60 cycles for 1 minute

UL/CSA/VDE Ratings

Agency	Max. Voltage	Max. Current (non-inductive)	Max. Temperature
UL	120 VAC	15 amps	400°F
UL	240VAC	10 amps	400°F
CSA	120 VAC	15 amps	400°F
CSA	240 VAC	10 amps	400°F
CSA	277 VAC	7.2 amps	400°F
VDE	250 VAC	10 amps	347°F

Configurations

Part Series	Contact Action	Mounting Style	Terminal Style	Operating Index	Wire Lead (Omit if Leads are not required)
	L = Open on Rise F = Close on Rise			(Consult Factory for specific operating temperature index)	

Mounting Style

- 2 = No Mounting
- 3 = Loose Bottom Bracket
- 4 = Fixed Top Flange
- 6 = 6-32 X .187 stud
- 9 = 6-32 X .375 stud
- 15 = Pipe Mount

Terminal Style

- A = Solder Type, Flat
- B = 3/16 QC, outset at 90°
- C = Weld Type, Flat
- D = Weld Type, outset at 90°
- F = 1/4 QC, outset at 90°
- G = 1/4 QC, Flat

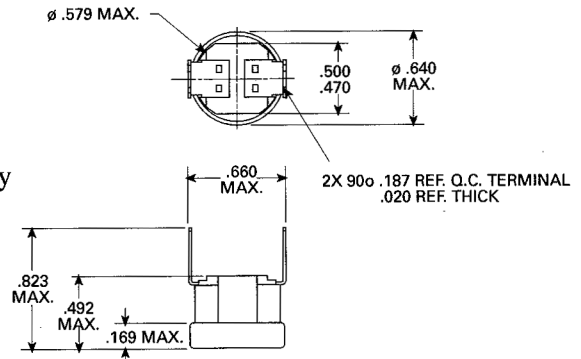
Wire Leads

Standard wire is 18 gauge stranded, tinned copper wire with black 0.31" PVC insulation (600V, 105°C). Standard lengths are shown below, but other lengths are available upon request.

- 1 = 6", 2 = 12", 3 = 18", 4 = 24"

Basic Dimensions (inches)

Our most common configuration is depicted below, but many other styles are available. The 7BT2 can also be custom packaged to meet your specific design requirements.



Important Notice: Texas Instruments (TI) reserves the right to make changes to or to discontinue any product or service identified in the publication without notice. TI advises its customers to obtain the latest version of the relevant information to verify, before placing orders, that the information being relied upon is current.

Texas Instruments assumes no responsibility for infringement of patents or rights of others based on Texas Instruments applications assistance or product specifications since TI does not possess full access concerning the use or application of customer products. Texas Instruments also assumes no responsibility for customers' product designs.

For further information write or call:

Texas Instruments
 34 Forest Street
 P.O. Box 2964, MS23-01
 Attleboro, MA 02703-0964
 Tel: (508) 236-3287
 Fax: (508) 236-1598
<http://www.klixon.com>