

## 54AC/74AC125 • 74ACT125 Quad Buffer with TRI-STATE® Outputs

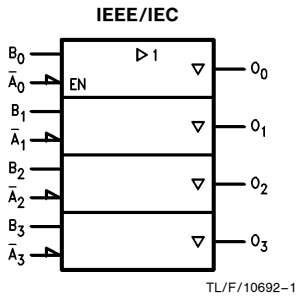
### General Description

The 'AC/'ACT125 contains four independent non-inverting buffers with TRI-STATE outputs.

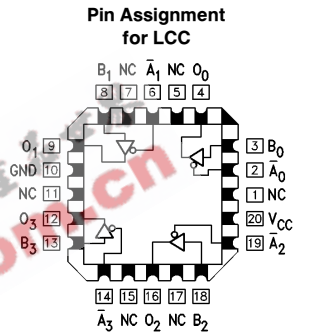
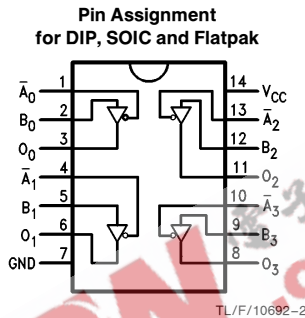
### Features

- $I_{CC}$  reduced by 50%
- Outputs source/sink 24 mA
- 'ACT125 has TTL-compatible outputs

### Logic Symbol



### Connection Diagrams



| Pin Names        | Description |
|------------------|-------------|
| $\bar{A}_n, B_n$ | Inputs      |
| $O_n$            | Outputs     |

### Function Table

| Inputs |       | Output |
|--------|-------|--------|
| $A_n$  | $B_n$ | $O_n$  |
| L      | L     | L      |
| L      | H     | H      |
| H      | X     | Z      |

H = HIGH Voltage Level  
L = LOW Voltage Level  
Z = HIGH Impedance  
X = Immaterial

TRI-STATE® is a registered trademark of National Semiconductor Corporation.  
FACT™ is a trademark of National Semiconductor Corporation.

## Absolute Maximum Ratings (Note 1)

If Military/Aerospace specified devices are required, please contact the National Semiconductor Sales Office/Distributors for availability and specifications.

|  |                          |
|--|--------------------------|
| Supply Voltage ( $V_{CC}$ )  | -0.5V to +7.0V           |
| DC Input Diode Current ( $I_K$ )                                       |                          |
| $V_I = -0.5V$  | -20 mA                   |
| $V_I = V_{CC} + 0.5V$  | +20 mA                   |
| DC Input Voltage ( $V_I$ )   | -0.5V to $V_{CC} + 0.5V$ |
| DC Output Diode Current ( $I_{OK}$ )                                   |                          |
| $V_O = -0.5V$  | -20 mA                   |
| $V_O = V_{CC} + 0.5V$  | +20 mA                   |
| DC Output Voltage ( $V_O$ )  | -0.5V to $V_{CC} + 0.5V$ |
| DC Output Source or Sink Current ( $I_O$ )                             | ±50 mA                   |
| DC $V_{CC}$ or Ground Current per Output Pin ( $I_{CC}$ or $I_{GND}$ ) | ±50 mA                   |
| Storage Temperature ( $T_{STG}$ )                                      | -65°C to +150°C          |
| Junction Temperature ( $T_J$ )   |                          |
| CDIP   | 175°C                    |
| PDIP   | 140°C                    |

**Note 1:** Absolute maximum ratings are those values beyond which damage to the device may occur. The databook specifications should be met, without exception, to ensure that the system design is reliable over its power supply, temperature, and output/input loading variables. National does not recommend operation of FACT™ circuits outside databook specifications.

## Recommended Operating Conditions

|   |  |                                      |                 |
|---|--|--------------------------------------|-----------------|
| Supply Voltage ( $V_{CC}$ )                     |  | 'AC                                  | 2.0V to 6.0V    |
|   |  | 'ACT                                 | 4.5V to 5.5V    |
| Input Voltage ( $V_I$ )                         |  |                                      | 0V to $V_{CC}$  |
| Output Voltage ( $V_O$ )                        |  |                                      | 0V to $V_{CC}$  |
| Operating Temperature ( $T_A$ )                 |  |                                      |                 |
|   |  | 74AC/ACT                             | -40°C to +85°C  |
|   |  | 54AC/ACT                             | -55°C to +125°C |
| Minimum Input Edge Rate ( $\Delta V/\Delta t$ ) |  |                                      |                 |
|   |  | 'AC Devices                          |                 |
|   |  | $V_{IN}$ from 30% to 70% of $V_{CC}$ |                 |
|   |  | $V_{CC}$ @ 3.3V, 4.5V, 5.5V          | 125 mV/ns       |
| Minimum Input Edge Rate ( $\Delta V/\Delta t$ ) |  |                                      |                 |
|   |  | 'ACT Devices                         |                 |
|   |  | $V_{IN}$ from 0.8V to 2.0V           |                 |
|   |  | $V_{CC}$ @ 4.5V, 5.5V                | 125 mV/ns       |

## DC Characteristics for 'AC Family Devices

| Symbol   | Parameter                         | $V_{CC}$ (V) | 74AC                      |                   |      | 54AC   |      | 74AC  |    | Units  | Conditions |
|----------|-----------------------------------|--------------|---------------------------|-------------------|------|--|------|---|----|--|------------|
|          |                                   |              | $T_A = +25^\circ\text{C}$ |                   |      | $T_A = -55^\circ\text{C to } +125^\circ\text{C}$ |      | $T_A = -40^\circ\text{C to } +85^\circ\text{C}$ |    |  |            |
|          |                                   |              | Typ                       | Guaranteed Limits |      |  |      |   |    |  |            |
| $V_{IH}$ | Minimum High Level Input Voltage  | 3.0          | 1.5                       | 2.1               | 2.1  | 2.1  | 2.1  | 2.1   | V  | $V_{OUT} = 0.1V$<br>or $V_{CC} - 0.1V$                                 |            |
|          |                                   | 4.5          | 2.25                      | 3.15              | 3.15 | 3.15   | 3.15 | 3.15  |    |  |            |
|          |                                   | 5.5          | 2.75                      | 3.85              | 3.85 | 3.85   | 3.85 | 3.85  |    |  |            |
| $V_{IL}$ | Maximum Low Level Input Voltage   | 3.0          | 1.5                       | 0.9               | 0.9  | 0.9  | 0.9  | 0.9   | V  | $V_{OUT} = 0.1V$<br>or $V_{CC} - 0.1V$                                 |            |
|          |                                   | 4.5          | 2.25                      | 1.35              | 1.35 | 1.35   | 1.35 | 1.35  |    |  |            |
|          |                                   | 5.5          | 2.75                      | 1.65              | 1.65 | 1.65   | 1.65 | 1.65  |    |  |            |
| $V_{OH}$ | Minimum High Level Output Voltage | 3.0          | 2.99                      | 2.9               | 2.9  | 2.9  | 2.9  | 2.9   | V  | $I_{OUT} = -50 \mu\text{A}$  |            |
|          |                                   | 4.5          | 4.49                      | 4.4               | 4.4  | 4.4  | 4.4  | 4.4   |    |  |            |
|          |                                   | 5.5          | 5.49                      | 5.4               | 5.4  | 5.4  | 5.4  | 5.4   |    |  |            |
|          |                                   |              | 3.0                       |                   | 2.56 | 2.4  | 2.46 | 2.46  | V  | * $V_{IN} = V_{IL}$ or $V_{IH}$<br>-12 mA<br>$I_{OH}$ -24 mA<br>-24 mA |            |
|          |                                   |              | 4.5                       |                   | 3.86 | 3.7  | 3.76 | 3.76  |    |  |            |
|          |                                   |              | 5.5                       |                   | 4.86 | 4.7  | 4.76 | 4.76  |    |  |            |
| $V_{OL}$ | Maximum Low Level Output Voltage  | 3.0          | 0.002                     | 0.1               | 0.1  | 0.1  | 0.1  | 0.1   | V  | $I_{OUT} = 50 \mu\text{A}$   |            |
|          |                                   | 4.5          | 0.001                     | 0.1               | 0.1  | 0.1  | 0.1  | 0.1   |    |  |            |
|          |                                   | 5.5          | 0.001                     | 0.1               | 0.1  | 0.1  | 0.1  | 0.1   |    |  |            |
|          |                                   |              | 3.0                       |                   | 0.36 | 0.50   | 0.44 | 0.44  | V  | * $V_{IN} = V_{IL}$ or $V_{IH}$<br>12 mA<br>$I_{OL}$ 24 mA<br>24 mA    |            |
|          |                                   |              | 4.5                       |                   | 0.36 | 0.50   | 0.44 | 0.44  |    |  |            |
|          |                                   |              | 5.5                       |                   | 0.36 | 0.50   | 0.44 | 0.44  |    |  |            |
| $I_{IN}$ | Maximum Input Leakage Current     | 5.5          |                           | ±0.1              | ±1.0 | ±1.0   | ±1.0 | ±1.0  | μA | $V_I = V_{CC}, \text{GND}$   |            |

\*All outputs loaded; thresholds on input associated with output under test.

| DC Characteristics for 'AC Family Devices (Continued)   |                                   |                     |                        |                                  |                                 |            |  |
|---|-----------------------------------|---------------------|------------------------|----------------------------------|---------------------------------|------------|--|
| Symbol  | Parameter                         | V <sub>CC</sub> (V) | 74AC                   | 54AC                             | 74AC                            | Units      | Conditions   |
|   |                                   |                     | T <sub>A</sub> = +25°C | T <sub>A</sub> = -55°C to +125°C | T <sub>A</sub> = -40°C to +85°C |            |  |
|   |                                   |                     | Typ                    | Guaranteed Limits                |                                 |            |  |
| I <sub>OZ</sub>   | Maximum TRI-STATE Current         | 5.5                 | ±0.5                   | ±10.0                            | ±5.0                            | μA         | V <sub>I</sub> (OE) = V <sub>IL</sub> , V <sub>IH</sub><br>V <sub>I</sub> = V <sub>CC</sub> , V <sub>GND</sub><br>V <sub>O</sub> = V <sub>CC</sub> , GND |
| I <sub>OLD</sub>  | † Minimum Dynamic Output Current  | 5.5                 |                        | 50                               | 75                              | mA         | V <sub>OLD</sub> = 1.65V Max   |
| I <sub>OHD</sub>  |                                   | 5.5                 |                        | -50                              | -75                             | mA         | V <sub>OHD</sub> = 3.85V Min   |
| I <sub>CC</sub>   | Maximum Quiescent Supply Current  | 5.5                 | 4.0                    | 80.0                             | 40.0                            | μA         | V <sub>IN</sub> = V <sub>CC</sub> or GND   |
| † Maximum test duration 2.0 ms, one output loaded at a time.<br><b>Note</b> : I <sub>IN</sub> and I <sub>CC</sub> @ 3.0V are guaranteed to be less than or equal to the respective limit @ 5.5V V <sub>CC</sub> .<br>I <sub>CC</sub> for 54AC @ 25°C is identical to 74AC @ 25°C. |                                   |                     |                        |                                  |                                 |            |  |
| DC Characteristics for 'ACT Family Devices  |                                   |                     |                        |                                  |                                 |            |  |
| Symbol  | Parameter                         | V <sub>CC</sub> (V) | 74ACT                  | 74ACT                            | Units                           | Conditions |  |
|   |                                   |                     | T <sub>A</sub> = +25°C | T <sub>A</sub> = -40°C to +85°C  |                                 |            |  |
|   |                                   |                     | Typ                    | Guaranteed Limits                |                                 |            |  |
| V <sub>IH</sub>   | Minimum High Level Input Voltage  | 4.5<br>5.5          | 1.5<br>1.5             | 2.0<br>2.0                       | 2.0<br>2.0                      | V          | V <sub>OUT</sub> = 0.1V or V <sub>CC</sub> - 0.1V  |
| V <sub>IL</sub>   | Maximum Low Level Input Voltage   | 4.5<br>5.5          | 1.5<br>1.5             | 0.8<br>0.8                       | 0.8<br>0.8                      | V          | V <sub>OUT</sub> = 0.1V or V <sub>CC</sub> - 0.1V  |
| V <sub>OH</sub>   | Minimum High Level Output Voltage | 4.5<br>5.5          | 4.49<br>5.49           | 4.4<br>5.4                       | 4.4<br>5.4                      | V          | I <sub>OUT</sub> = -50 μA  |
|   |                                   | 4.5<br>5.5          |                        | 3.86<br>4.86                     | 3.76<br>4.76                    | V          | *V <sub>IN</sub> = V <sub>IL</sub> or V <sub>IH</sub><br>-24 mA<br>I <sub>OH</sub> -24 mA  |
| V <sub>OL</sub>   | Maximum Low Level Output Voltage  | 4.5<br>5.5          | 0.001<br>0.001         | 0.1<br>0.1                       | 0.1<br>0.1                      | V          | I <sub>OUT</sub> = 50 μA   |
|   |                                   | 4.5<br>5.5          |                        | 0.36<br>0.36                     | 0.44<br>0.44                    | V          | *V <sub>IN</sub> = V <sub>IL</sub> or V <sub>IH</sub><br>24 mA<br>I <sub>OL</sub> 24 mA  |
| I <sub>IN</sub>   | Maximum Input Leakage Current     | 5.5                 |                        | ±0.1                             | ±1.0                            | μA         | V <sub>I</sub> = V <sub>CC</sub> , GND   |
| I <sub>OZ</sub>   | Maximum TRI-STATE Current         | 5.5                 |                        | ±0.5                             | ±5.0                            | μA         | V <sub>I</sub> = V <sub>IL</sub> , V <sub>IH</sub><br>V <sub>O</sub> = V <sub>CC</sub> , GND   |
| I <sub>CCT</sub>  | Maximum I <sub>CC</sub> /Input    | 5.5                 | 0.6                    |                                  | 1.5                             | mA         | V <sub>I</sub> = V <sub>CC</sub> - 2.1V‡   |
| I <sub>OLD</sub>  | † Minimum Dynamic Output Current  | 5.5                 |                        |                                  | 75                              | mA         | V <sub>OLD</sub> = 1.65V Max   |
| I <sub>OHD</sub>  |                                   | 5.5                 |                        |                                  | -75                             | mA         | V <sub>OHD</sub> = 3.85V Min   |
| I <sub>CC</sub>   | Maximum Quiescent Supply Current  | 5.5                 |                        | 4.0                              | 40.0                            | μA         | V <sub>IN</sub> = V <sub>CC</sub> or GND   |
| *All outputs loaded; thresholds on input associated with output under test.<br>† Maximum test duration 2.0 ms, one output loaded at a time.<br>‡ May be measured per the JEDEC Alternate Method.  |                                   |                     |                        |                                  |                                 |            |  |

## AC Electrical Characteristics

| Symbol           | Parameter                           | V <sub>CC</sub> *<br>(V) | 74AC   |            |             | 54AC  |     | 74AC   |             | Units |
|------------------|-------------------------------------|--------------------------|--|------------|-------------|---|-----|--|-------------|-------|
|                  |                                     |                          | T <sub>A</sub> = +25°C<br>C <sub>L</sub> = 50 pF |            |             | T <sub>A</sub> = -55°C<br>to +125°C<br>C <sub>L</sub> = 50 pF |     | T <sub>A</sub> = -40°C<br>to +85°C<br>C <sub>L</sub> = 50 pF |             |       |
|                  |                                     |                          | Min  | Typ        | Max         | Min   | Max | Min  | Max         |       |
| t <sub>PLH</sub> | Propagation Delay<br>Data to Output | 3.3<br>5.0               | 1.0<br>1.0                                       | 6.5<br>5.5 | 9.0<br>7.0  |   |     | 1.0<br>1.0   | 10.0<br>7.5 | ns    |
| t <sub>PHL</sub> | Propagation Delay<br>Data to Output | 3.3<br>5.0               | 1.0<br>1.0                                       | 6.5<br>5.0 | 9.0<br>7.0  |   |     | 1.0<br>1.0   | 10.0<br>7.5 | ns    |
| t <sub>PZH</sub> | Output Enable Time                  | 3.3<br>5.0               | 1.0<br>1.0                                       | 6.0<br>5.0 | 10.5<br>7.0 |   |     | 1.0<br>1.0   | 11.0<br>8.0 | ns    |
| t <sub>PZL</sub> | Output Enable Time                  | 3.3<br>5.0               | 1.0<br>1.0                                       | 7.5<br>5.5 | 10.0<br>8.0 |   |     | 1.0<br>1.0   | 11.0<br>8.5 | ns    |
| t <sub>PHZ</sub> | Output Disable Time                 | 3.3<br>5.0               | 1.0<br>1.0                                       | 7.5<br>6.5 | 10.0<br>9.0 |   |     | 1.0<br>1.0   | 10.5<br>9.5 | ns    |
| t <sub>PLZ</sub> | Output Disable Time                 | 3.3<br>5.0               | 1.0<br>1.0                                       | 7.5<br>6.5 | 10.5<br>9.0 |   |     | 1.0<br>1.0   | 11.5<br>9.5 | ns    |

\*Voltage Range 3.3 is 3.3V ±0.3V  
Voltage Range 5.0 is 5.0V ±0.5V

## AC Electrical Characteristics

| Symbol           | Parameter                           | V <sub>CC</sub> *<br>(V) | 74ACT  |     |      | 74ACT  |      | Units |
|------------------|-------------------------------------|--------------------------|--|-----|------|--|------|-------|
|                  |                                     |                          | T <sub>A</sub> = +25°C<br>C <sub>L</sub> = 50 pF |     |      | T <sub>A</sub> = -40°C<br>to +85°C<br>C <sub>L</sub> = 50 pF |      |       |
|                  |                                     |                          | Min  | Typ | Max  | Min  | Max  |       |
| t <sub>PLH</sub> | Propagation Delay<br>Data to Output | 5.0                      | 1.0  | 6.5 | 9.0  | 1.0  | 10.0 | ns    |
| t <sub>PHL</sub> | Propagation Delay<br>Data to Output | 5.0                      | 1.0  | 7.0 | 9.0  | 1.0  | 10.0 | ns    |
| t <sub>PZH</sub> | Output Enable Time                  | 5.0                      | 1.0  | 6.0 | 8.5  | 1.0  | 9.5  | ns    |
| t <sub>PZL</sub> | Output Enable Time                  | 5.0                      | 1.0  | 7.0 | 9.5  | 1.0  | 10.5 | ns    |
| t <sub>PHZ</sub> | Output Disable Time                 | 5.0                      | 1.0  | 7.0 | 9.5  | 1.0  | 10.5 | ns    |
| t <sub>PLZ</sub> | Output Disable Time                 | 5.0                      | 1.0  | 7.5 | 10.0 | 1.0  | 10.5 | ns    |

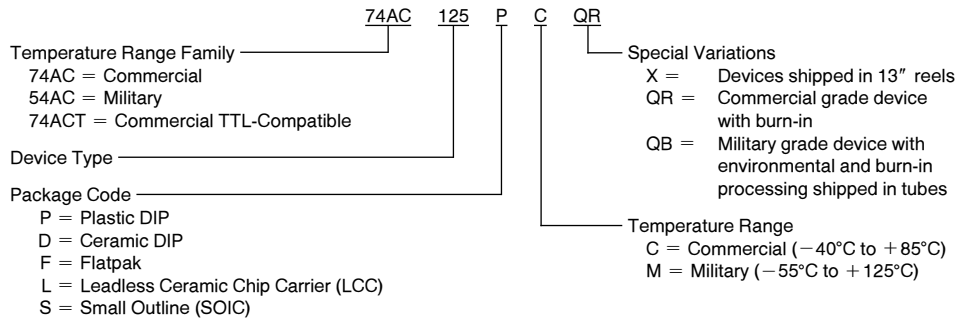
\*Voltage Range 5.0 is 5.0V ±0.5V

## Capacitance

| Symbol          | Parameter                        | AC/ACT | Units | Conditions             |
|-----------------|----------------------------------|--------|-------|------------------------|
|                 |                                  | Typ    |       |                        |
| C <sub>IN</sub> | Input Capacitance                | 4.5    | pF    | V <sub>CC</sub> = OPEN |
| C <sub>PD</sub> | Power Dissipation<br>Capacitance | 45.0   | pF    | V <sub>CC</sub> = 5.0V |

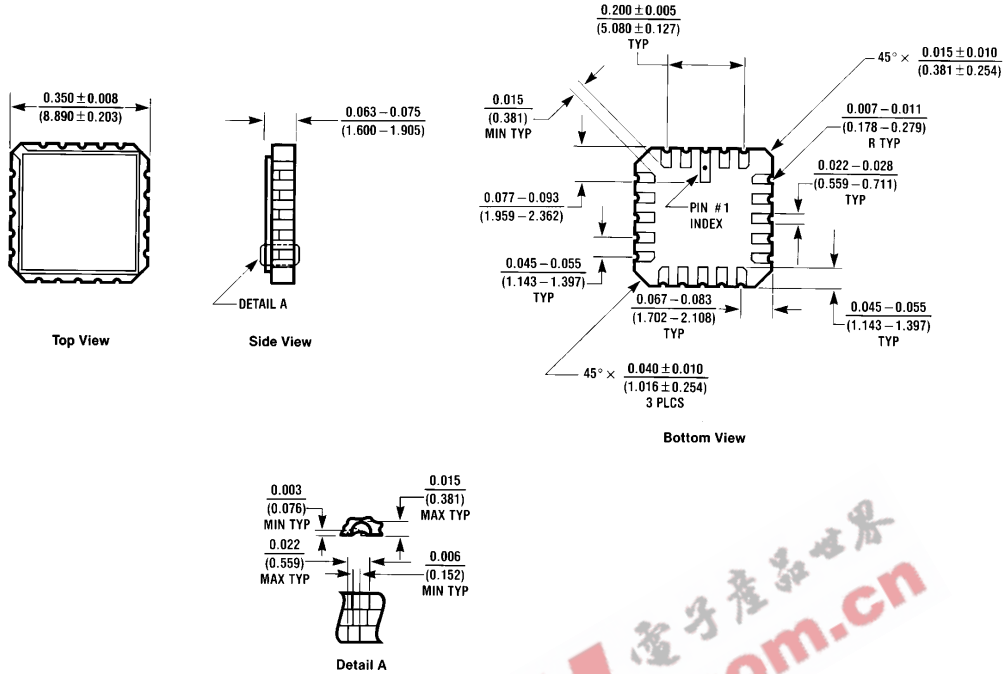
## Ordering Information

The device number is used to form part of a simplified purchasing code where the package type and temperature range are defined as follows:



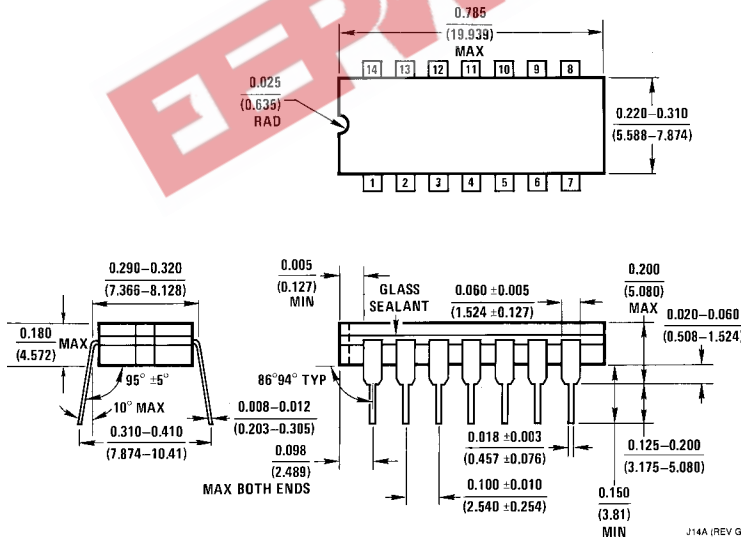
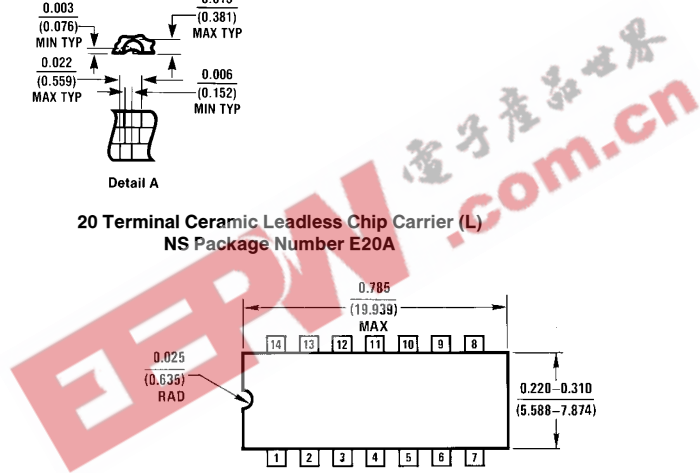
EEPW 电子产品世界  
.com.cn

**Physical Dimensions** inches (millimeters)



**20 Terminal Ceramic Leadless Chip Carrier (L)**  
**NS Package Number E20A**

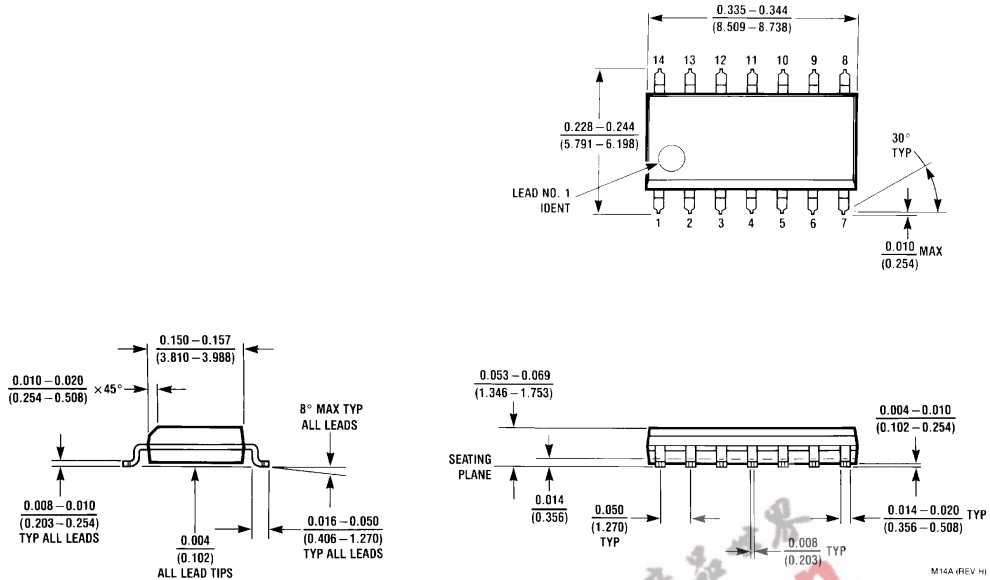
E20A (REV. D)



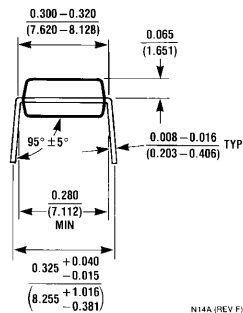
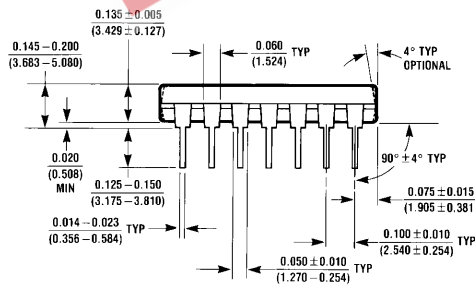
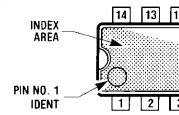
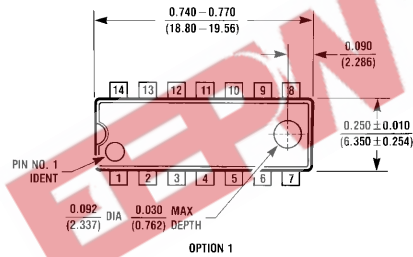
**14-Lead Ceramic Dual-In-Line Package (D)**  
**NS Package Number J14A**

J14A (REV. G)

**Physical Dimensions** inches (millimeters) (Continued)

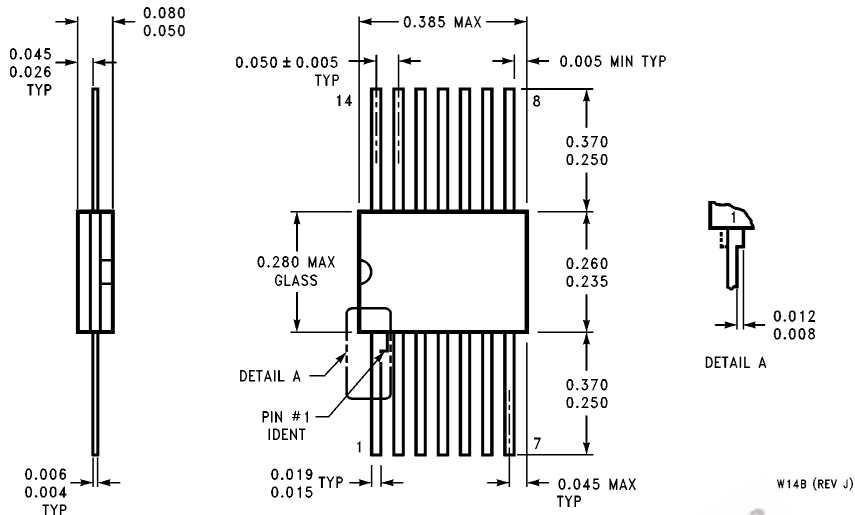


**14-Lead Small Outline Integrated Circuit (S)  
NS Package Number M14A**



**14-Lead Plastic Dual-In-Line Package (P)  
NS Package Number N14A**

**Physical Dimensions** inches (millimeters) (Continued)



**14-Lead Ceramic Flatpak (F)  
NS Package Number W14B**



**LIFE SUPPORT POLICY**

NATIONAL'S PRODUCTS ARE NOT AUTHORIZED FOR USE AS CRITICAL COMPONENTS IN LIFE SUPPORT DEVICES OR SYSTEMS WITHOUT THE EXPRESS WRITTEN APPROVAL OF THE PRESIDENT OF NATIONAL SEMICONDUCTOR CORPORATION. As used herein:

1. Life support devices or systems are devices or systems which, (a) are intended for surgical implant into the body, or (b) support or sustain life, and whose failure to perform, when properly used in accordance with instructions for use provided in the labeling, can be reasonably expected to result in a significant injury to the user.
2. A critical component is any component of a life support device or system whose failure to perform can be reasonably expected to cause the failure of the life support device or system, or to affect its safety or effectiveness.



**National Semiconductor Corporation**  
2900 Semiconductor Drive  
P.O. Box 58090  
Santa Clara, CA 95052-8090  
Tel: (800) 272-9959  
TWX: (910) 339-9240

**National Semiconductor GmbH**  
Livry-Gargan-Str. 10  
D-82256 Fürstfeldbruck  
Germany  
Tel: (81-41) 35-0  
Telex: 527649  
Fax: (81-41) 35-1

**National Semiconductor Japan Ltd.**  
Sumitomo Chemical  
Engineering Center  
Bldg. 7F  
1-7-1, Nakase, Mihama-Ku  
Chiba-City,  
Chiba Prefecture 261  
Tel: (043) 299-2300  
Fax: (043) 299-2500

**National Semiconductor Hong Kong Ltd.**  
13th Floor, Straight Block,  
Ocean Centre, 5 Canton Rd.  
Tsimshatsui, Kowloon  
Hong Kong  
Tel: (852) 2737-1600  
Fax: (852) 2736-9960

**National Semiconductores Do Brazil Ltda.**  
Rue Deputado Lacorda Franco  
120-3A  
Sao Paulo-SP  
Brazil 05418-000  
Tel: (55-11) 212-5066  
Telex: 331-1131931 NSBR BR  
Fax: (55-11) 212-1181

**National Semiconductor (Australia) Pty, Ltd.**  
Building 16  
Business Park Drive  
Monash Business Park  
Nottingham, Melbourne  
Victoria 3169 Australia  
Tel: (3) 558-9899  
Fax: (3) 558-9998

National does not assume any responsibility for use of any circuitry described, no circuit patent licenses are implied and National reserves the right at any time without notice to change said circuitry and specifications.