

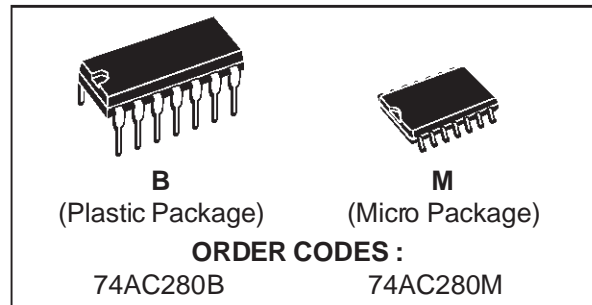
9 BIT PARITY GENERATOR

- HIGH SPEED: $t_{PD} = 4 \text{ ns}$ (TYP.) at $V_{CC} = 5V$
- LOW POWER DISSIPATION:
 $I_{CC} = 4 \mu A$ (MAX.) at $T_A = 25^\circ C$
- HIGH NOISE IMMUNITY:
 $V_{NIH} = V_{NIL} = 28\% V_{CC}$ (MIN.)
- 50Ω TRANSMISSION LINE DRIVING CAPABILITY
- SYMMETRICAL OUTPUT IMPEDANCE:
 $|I_{OH}| = I_{OL} = 24 \text{ mA}$ (MIN)
- BALANCED PROPAGATION DELAYS:
 $t_{PLH} \cong t_{PHL}$
- OPERATING VOLTAGE RANGE:
 V_{CC} (OPR) = 2V to 6V
- PIN AND FUNCTION COMPATIBLE WITH 74 SERIES 280
- IMPROVED LATCH-UP IMMUNITY

DESCRIPTION

The AC280 is an advanced high-speed CMOS 9 BIT PARITY GENERATOR fabricated with sub-micron silicon gate and double-layer metal wiring C²MOS technology. It is ideal for low power applications maintaining high speed operation similar to equivalent Bipolar Schottky TTL.

It is composed of nine data inputs (A to I) and



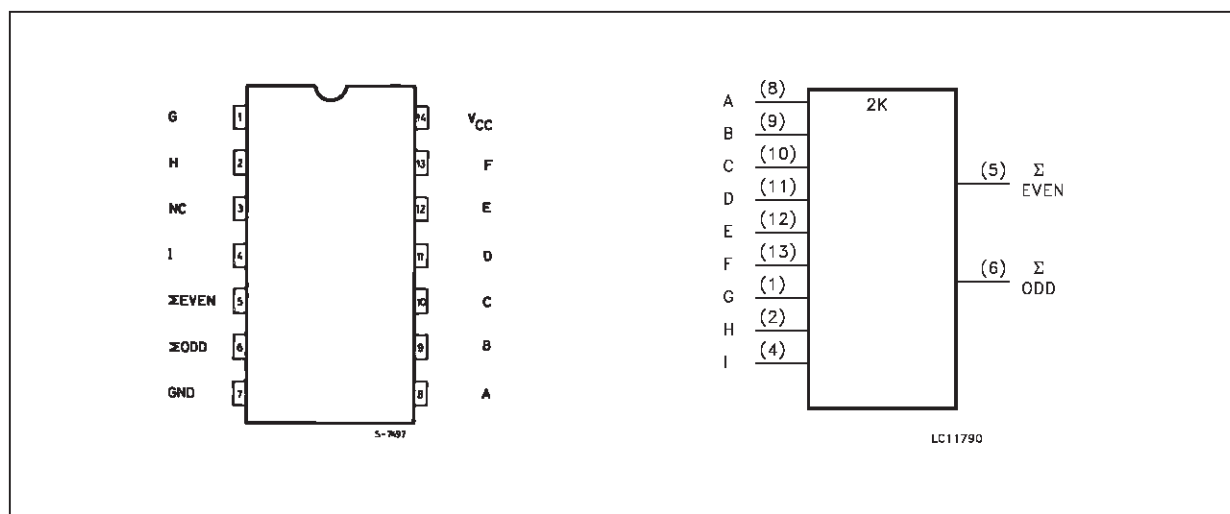
odd/even parity outputs (ΣODD and $\Sigma EVEN$). The nine data inputs control the output conditions. When the number of high level input is odd, ΣODD output is kept high and $\Sigma EVEN$ output low. Conservely, when the output is even, $\Sigma EVEN$ output is kept high and ΣODD low.

The IC generates either odd or even parity making it flexible application.

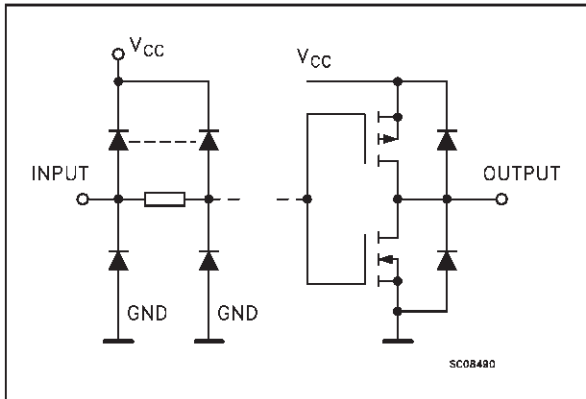
The word-length capability is easily expanded by cascading.

All inputs and outputs are equipped with protection circuits against static discharge, giving them 2KV ESD immunity and transient excess voltage.

PIN CONNECTION AND IEC LOGIC SYMBOLS



INPUT AND OUTPUT EQUIVALENT CIRCUIT



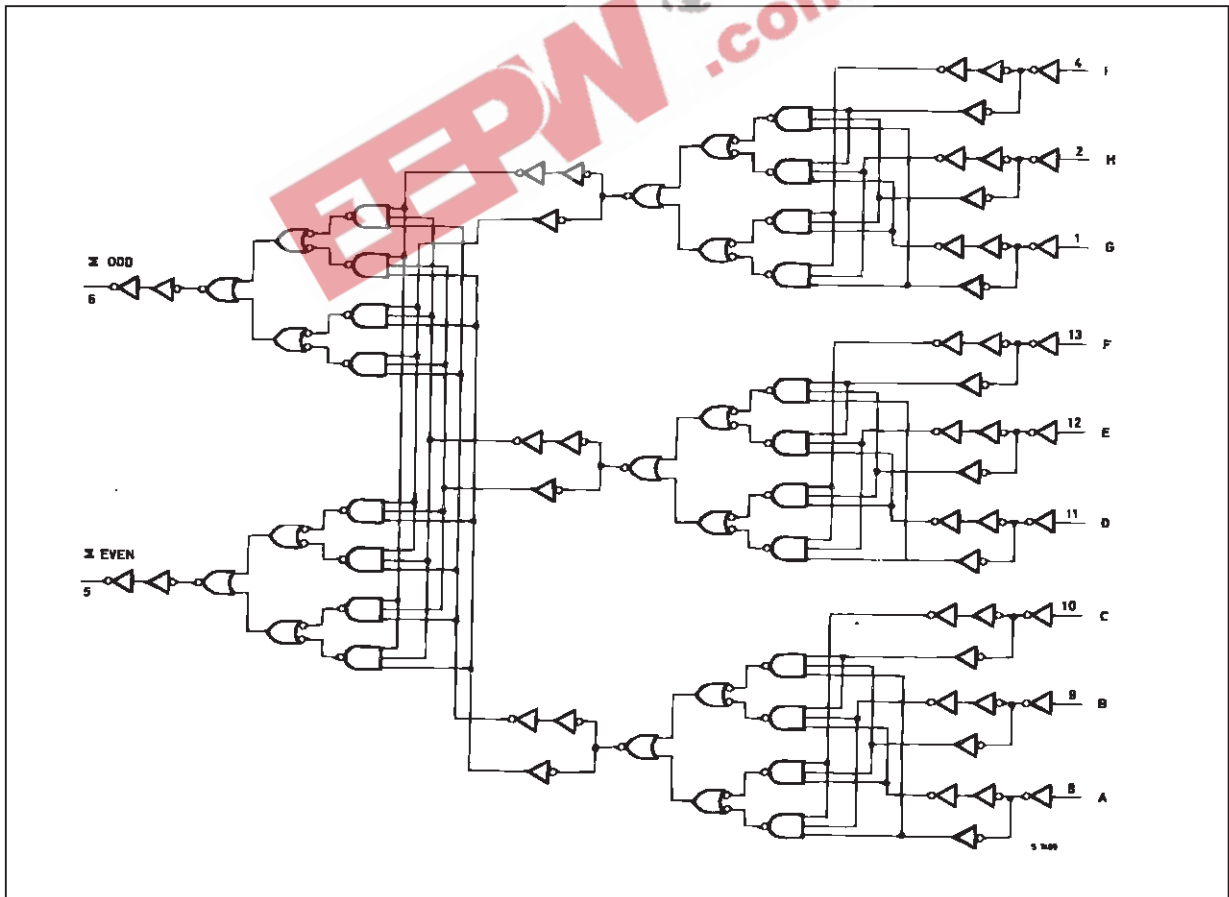
PIN DESCRIPTION

| PIN No | SYMBOL | NAME AND FUNCTION |
|-------------------------------------|-------------------------------|-------------------------|
| 5, 6 | Σ EVEN Σ ODD | Parity Outputs |
| 8, 9, 10, 11, 12, 13, 1, 2, 4 | A to I | Data Inputs |
| 3 | NC | No Connection |
| 7 | GND | Ground (0V) |
| 14 | V _{CC} | Positive Supply Voltage |

TRUTH TABLE

| NUMBER OF INPUTS A THRU I THAT ARE HIGH | OUTPUT | |
|---|---------------|--------------|
| | Σ EVEN | Σ ODD |
| 0, 2, 4, 6, 8 | H | L |
| 1, 3, 5, 7, 9 | L | H |

LOGIC DIAGRAM



ABSOLUTE MAXIMUM RATINGS

| Symbol | Parameter | Value | Unit |
|-----------------------|-------------------------------|------------------------|-------------|
| V_{CC} | Supply Voltage | -0.5 to +7 | V |
| V_I | DC Input Voltage | -0.5 to $V_{CC} + 0.5$ | V |
| V_O | DC Output Voltage | -0.5 to $V_{CC} + 0.5$ | V |
| I_{IK} | DC Input Diode Current | ± 20 | mA |
| I_{OK} | DC Output Diode Current | ± 20 | mA |
| I_O | DC Output Current | ± 50 | mA |
| I_{CC} or I_{GND} | DC V_{CC} or Ground Current | ± 200 | mA |
| T_{stg} | Storage Temperature | -65 to +150 | $^{\circ}C$ |
| T_L | Lead Temperature (10 sec) | 300 | $^{\circ}C$ |

Absolute Maximum Ratings are those values beyond which damage to the device may occur. Functional operation under these condition is not implied.

RECOMMENDED OPERATING CONDITIONS

| Symbol | Parameter | Value | Unit |
|----------|---|---------------|-------------|
| V_{CC} | Supply Voltage | 2 to 6 | V |
| V_I | Input Voltage | 0 to V_{CC} | V |
| V_O | Output Voltage | 0 to V_{CC} | V |
| T_{op} | Operating Temperature: | -40 to +85 | $^{\circ}C$ |
| dt/dv | Input Rise and Fall Time $V_{CC} = 3.0, 4.5$ or 5.5 V(note 1) | 8 | ns/V |

1) V_{IN} from 30% to 70% of V_{CC}

DC SPECIFICATIONS

| Symbol | Parameter | Test Conditions | | Value | | | | | Unit | |
|------------------|---------------------------------------|------------------------|--|-------------------------|------|-------|--------------|------|------|----|
| | | V _{CC} (V) | | T _A = 25 °C | | | -40 to 85 °C | | | |
| | | | | Min. | Typ. | Max. | Min. | Max. | | |
| V _{IH} | High Level Input Voltage | 3.0 | V _O = 0.1 V or V _{CC} - 0.1 V | 2.1 | 1.5 | | 2.1 | | V | |
| | | 4.5 | | 3.15 | 2.25 | | 3.15 | | | |
| | | 5.5 | | 3.85 | 2.75 | | 3.85 | | | |
| V _{IL} | Low Level Input Voltage | 3.0 | V _O = 0.1 V or V _{CC} - 0.1 V | | 1.5 | 0.9 | | 0.9 | V | |
| | | 4.5 | | | 2.25 | 1.35 | | 1.35 | | |
| | | 5.5 | | | 2.75 | 1.65 | | 1.65 | | |
| V _{OH} | High Level Output Voltage | 3.0 | V _I ^(*) = V _{IH} or V _{IL} | I _O = -50 μA | 2.9 | 2.99 | | 2.9 | V | |
| | | 4.5 | | I _O = -50 μA | 4.4 | 4.49 | | 4.4 | | |
| | | 5.5 | | I _O = -50 μA | 5.4 | 5.49 | | 5.4 | | |
| | | 3.0 | | I _O = -12 mA | 2.56 | | | 2.46 | | |
| | | 4.5 | | I _O = -24 mA | 3.86 | | | 3.76 | | |
| | | 5.5 | | I _O = -24 mA | 4.86 | | | 4.76 | | |
| V _{OL} | Low Level Output Voltage | 3.0 | V _I ^(*) = V _{IH} or V _{IL} | I _O = 50 μA | | 0.002 | 0.1 | | 0.1 | V |
| | | 4.5 | | I _O = 50 μA | | 0.001 | 0.1 | | 0.1 | |
| | | 5.5 | | I _O = 50 μA | | 0.001 | 0.1 | | 0.1 | |
| | | 3.0 | | I _O = 12 mA | | | 0.36 | | 0.44 | |
| | | 4.5 | | I _O = 24 mA | | | 0.36 | | 0.44 | |
| | | 5.5 | | I _O = 24 mA | | | 0.36 | | 0.44 | |
| I _I | Input Leakage Current | 5.5 | V _I = V _{CC} or GND | | | | ±0.1 | | ±1 | μA |
| I _{CC} | Quiescent Supply Current | 5.5 | V _I = V _{CC} or GND | | | | 4 | | 40 | μA |
| I _{OLD} | Dynamic Output Current (note 1, 2) | 5.5 | V _{OLD} = 1.65 V max | | | | | | 75 | mA |
| I _{OHD} | | | | | | | | | -75 | mA |

1) Maximum test duration 2ms, one output loaded at a time

2) Incident wave switching is guaranteed on transmission lines with impedances as low as 50 Ω.

(*) All outputs loaded.

AC ELECTRICAL CHARACTERISTICS (C_L = 50 pF, R_L = 500 Ω, Input t_r = t_f = 3 ns)

| Symbol | Parameter | Test Condition | | Value | | | | | Unit |
|------------------|---|------------------------|--|------------------------|------|------|--------------|------|------|
| | | V _{CC} (V) | | T _A = 25 °C | | | -40 to 85 °C | | |
| | | | | Min. | Typ. | Max. | Min. | Max. | |
| t _{PLH} | Propagation Delay Time (Input - ΣODD, ΣEVEN) | 3.3 ^(*) | | 1.5 | 5 | 17.0 | 1 | 18.5 | ns |
| t _{PHL} | | 5.0 ^(**) | | 1.5 | 4 | 13.0 | 1 | 14.5 | |

(*) Voltage range is 3.3V ± 0.3V

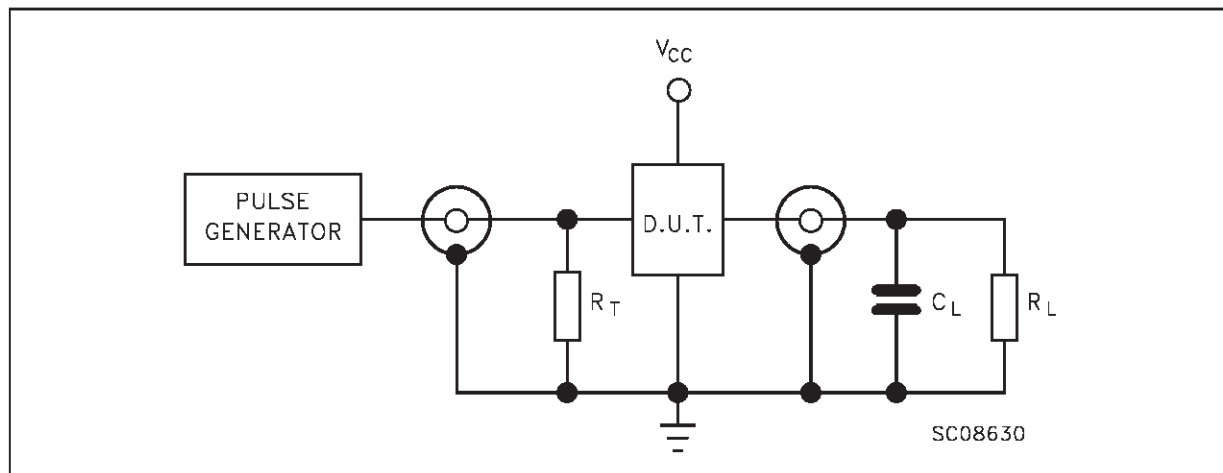
(**) Voltage range is 5V ± 0.5V

CAPACITIVE CHARACTERISTICS

| Symbol | Parameter | Test Conditions | | Value | | | | | Unit |
|-----------------|--|------------------------|--|------------------------|------|------|--------------|------|------|
| | | V _{CC} (V) | | T _A = 25 °C | | | -40 to 85 °C | | |
| | | | | Min. | Typ. | Max. | Min. | Max. | |
| C _{IN} | Input Capacitance | 5.0 | | | 4 | | | | pF |
| C _{PD} | Power Dissipation Capacitance (note 1) | 5.0 | | | 27 | | | | pF |

1) C_{PD} is defined as the value of the IC's internal equivalent capacitance which is calculated from the operating current consumption without load. (Refer to Test Circuit). Average operating current can be obtained by the following equation. I_{CC(OPR)} = C_{PD} • V_{CC} • f_{IN} + I_{CC}

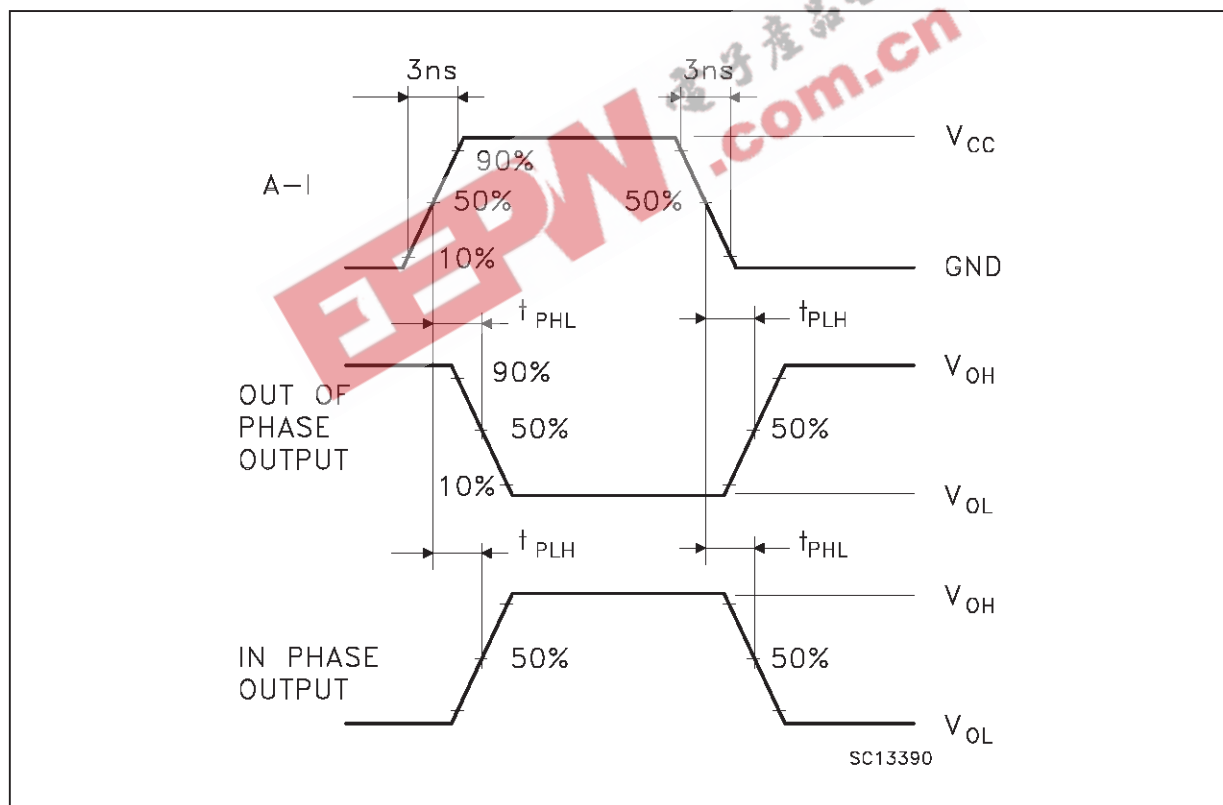
TEST CIRCUIT



$C_L = 50$ pF or equivalent (includes jig and probe capacitance)

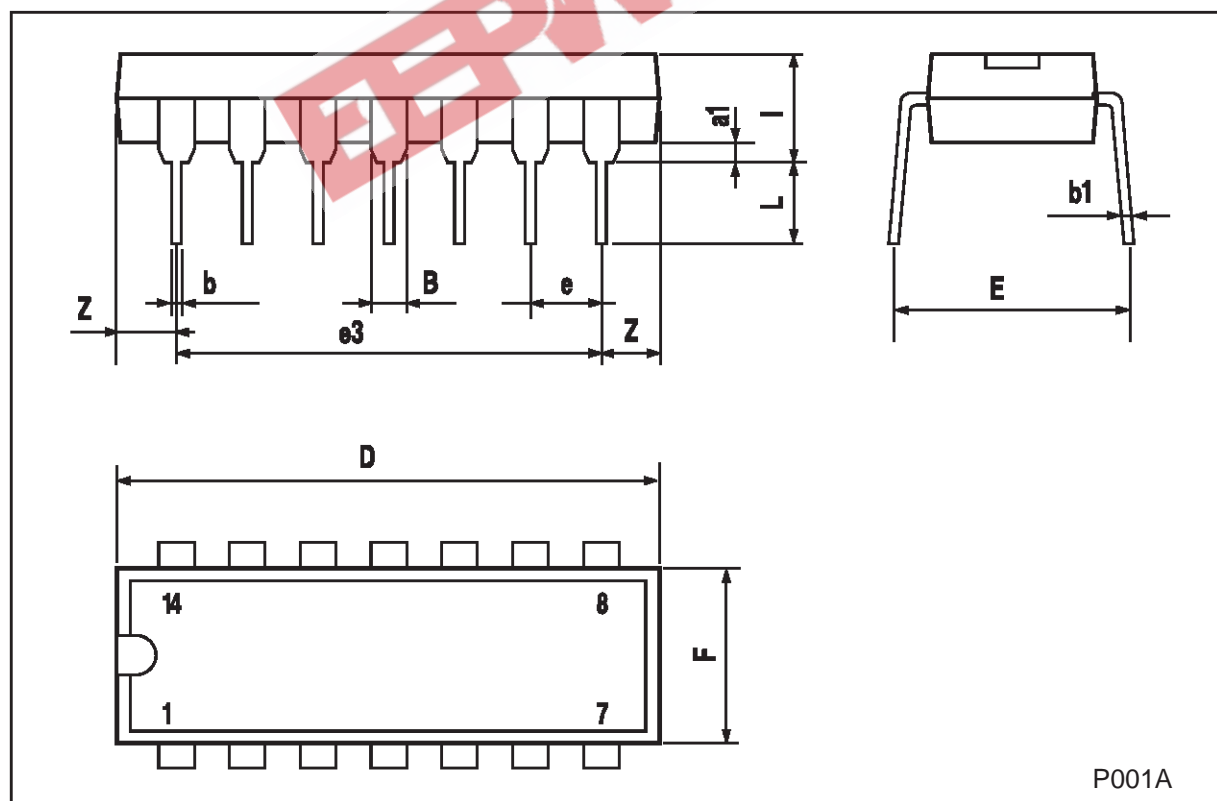
$R_L = R_1 = 500\Omega$ or equivalent

$R_T = Z_{out}$ of pulse generator (typically 50Ω)

WAVEFORM: PROPAGATION DELAYS ($f=1\text{MHz}$; 50% duty cycle)


Plastic DIP-14 MECHANICAL DATA

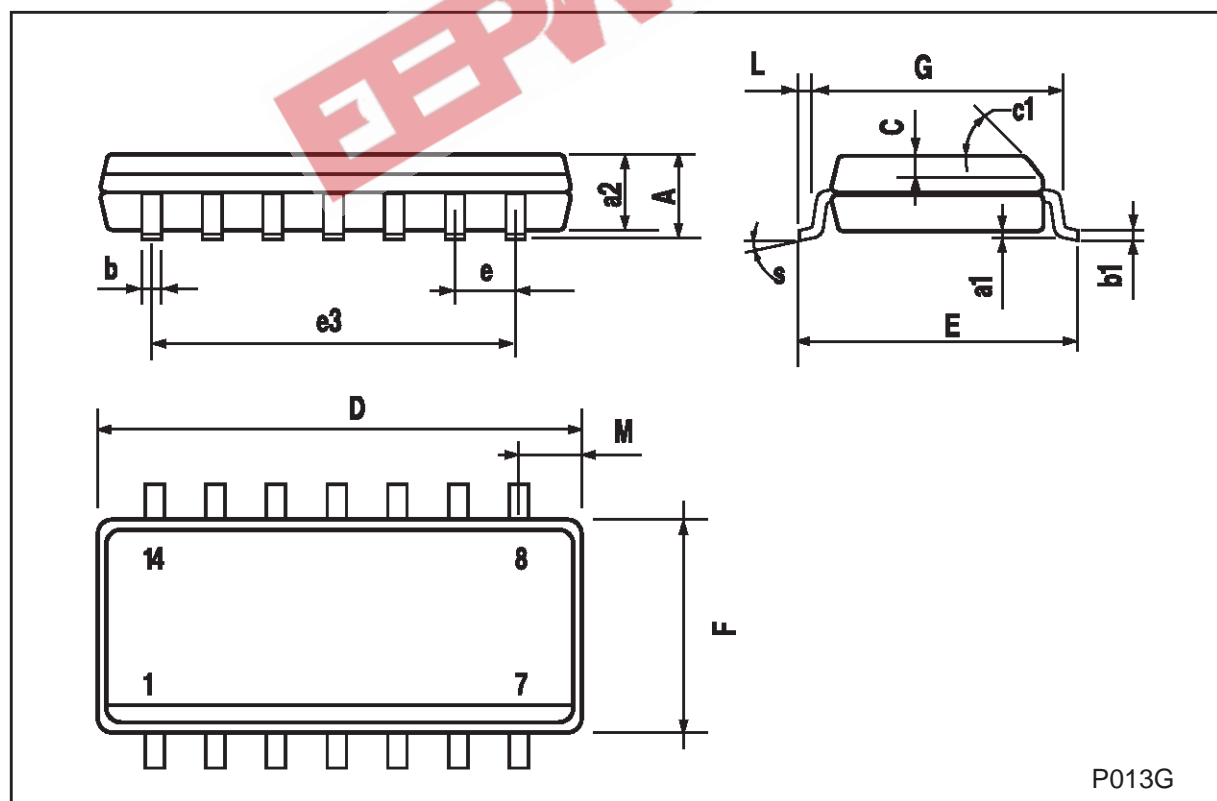
| DIM. | mm | | | inch | | |
|------|------|-------|------|-------|-------|-------|
| | MIN. | TYP. | MAX. | MIN. | TYP. | MAX. |
| a1 | 0.51 | | | 0.020 | | |
| B | 1.39 | | 1.65 | 0.055 | | 0.065 |
| b | | 0.5 | | | 0.020 | |
| b1 | | 0.25 | | | 0.010 | |
| D | | | 20 | | | 0.787 |
| E | | 8.5 | | | 0.335 | |
| e | | 2.54 | | | 0.100 | |
| e3 | | 15.24 | | | 0.600 | |
| F | | | 7.1 | | | 0.280 |
| I | | | 5.1 | | | 0.201 |
| L | | 3.3 | | | 0.130 | |
| Z | 1.27 | | 2.54 | 0.050 | | 0.100 |



P001A

SO-14 MECHANICAL DATA

| DIM. | mm | | | inch | | |
|------|-----------|------|------|-------|-------|-------|
| | MIN. | TYP. | MAX. | MIN. | TYP. | MAX. |
| A | | | 1.75 | | | 0.068 |
| a1 | 0.1 | | 0.2 | 0.003 | | 0.007 |
| a2 | | | 1.65 | | | 0.064 |
| b | 0.35 | | 0.46 | 0.013 | | 0.018 |
| b1 | 0.19 | | 0.25 | 0.007 | | 0.010 |
| C | | 0.5 | | | 0.019 | |
| c1 | 45 (typ.) | | | | | |
| D | 8.55 | | 8.75 | 0.336 | | 0.344 |
| E | 5.8 | | 6.2 | 0.228 | | 0.244 |
| e | | 1.27 | | | 0.050 | |
| e3 | | 7.62 | | | 0.300 | |
| F | 3.8 | | 4.0 | 0.149 | | 0.157 |
| G | 4.6 | | 5.3 | 0.181 | | 0.208 |
| L | 0.5 | | 1.27 | 0.019 | | 0.050 |
| M | | | 0.68 | | | 0.026 |
| S | 8 (max.) | | | | | |



P013G

EEPW 电子产品世界
.com.cn

Information furnished is believed to be accurate and reliable. However, STMicroelectronics assumes no responsibility for the consequences of use of such information nor for any infringement of patents or other rights of third parties which may result from its use. No license is granted by implication or otherwise under any patent or patent rights of STMicroelectronics. Specification mentioned in this publication are subject to change without notice. This publication supersedes and replaces all information previously supplied. STMicroelectronics products are not authorized for use as critical components in life support devices or systems without express written approval of STMicroelectronics.

The ST logo is a registered trademark of STMicroelectronics

© 1998 STMicroelectronics – Printed in Italy – All Rights Reserved
STMicroelectronics GROUP OF COMPANIES

Australia - Brazil - Canada - China - France - Germany - Italy - Japan - Korea - Malaysia - Malta - Mexico - Morocco - The Netherlands - Singapore - Spain - Sweden - Switzerland - Taiwan - Thailand - United Kingdom - U.S.A.

<http://www.st.com>