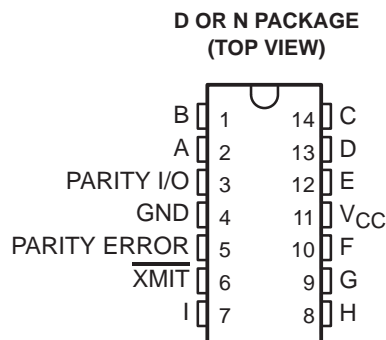


74ACT11286
9-BIT PARITY GENERATOR/CHECKER
WITH BUS DRIVER PARITY I/O PORTS

SCAS069B – AUGUST 1988 – REVISED APRIL 1996

- Inputs Are TTL-Voltage Compatible
- Generates Either Odd or Even Parity for Nine Data Lines
- Cascadable for n-Bits Parity
- Center-Pin V_{CC} and GND Configurations Minimize High-Speed Switching Noise
- EPIC™ (Enhanced-Performance Implanted CMOS) 1- μ m Process
- 500-mA Typical Latch-Up Immunity at 125°C
- Package Options Include Plastic Small-Outline (D) Packages and Standard Plastic 300-mil DIPs (N)



description

The 74ACT11286 universal 9-bit parity generator/checker features a local output for parity checking and a bus-driving parity I/O port for parity generation/checking. The word-length capability is easily expanded by cascading.

The \overline{XMIT} control input is implemented specifically to accommodate cascading. When the \overline{XMIT} is low, the parity tree is disabled and the PARITY ERROR output remains at a high logic level, regardless of the input levels. When \overline{XMIT} is high, the parity tree is enabled. PARITY ERROR indicates a parity error when either an even number of inputs (A through I) are high and PARITY I/O is forced to a low logic level, or when an odd number of inputs are high and PARITY I/O is forced to a high logic level.

The I/O control circuitry is designed so that the I/O port remains in the high-impedance state during power up or power down, to prevent bus glitches.

The 74ACT11286 is characterized for operation from -40°C to 85°C.

FUNCTION TABLE

NUMBER OF INPUTS (A-I) THAT ARE HIGH	\overline{XMIT} INPUT	PARITY I/O	PARITY ERROR OUTPUT
0, 2, 4, 6, 8	l	H	H
1, 3, 5, 7, 9	l	L	H
0, 2, 4, 6, 8	h	h	H
	h	l	L
1, 3, 5, 7, 9	h	h	L
	h	l	H

h = high input level, H = high output level, l = low input level, L = low output level



Please be aware that an important notice concerning availability, standard warranty, and use in critical applications of Texas Instruments semiconductor products and disclaimers thereto appears at the end of this data sheet.

EPIC is a trademark of Texas Instruments Incorporated.

PRODUCTION DATA information is current as of publication date. Products conform to specifications per the terms of Texas Instruments standard warranty. Production processing does not necessarily include testing of all parameters.

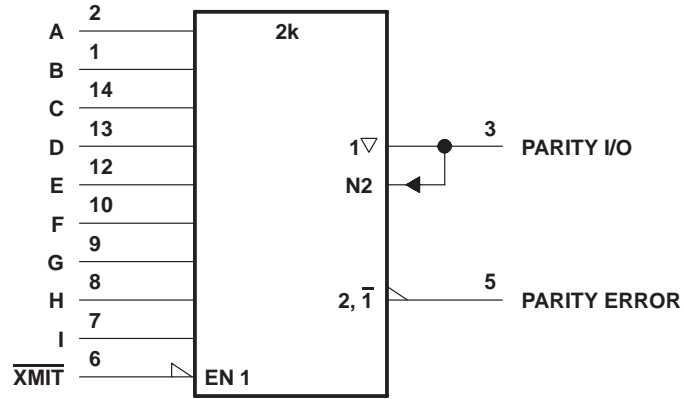


Copyright © 1996, Texas Instruments Incorporated

74ACT11286 9-BIT PARITY GENERATOR/CHECKER WITH BUS DRIVER PARITY I/O PORTS

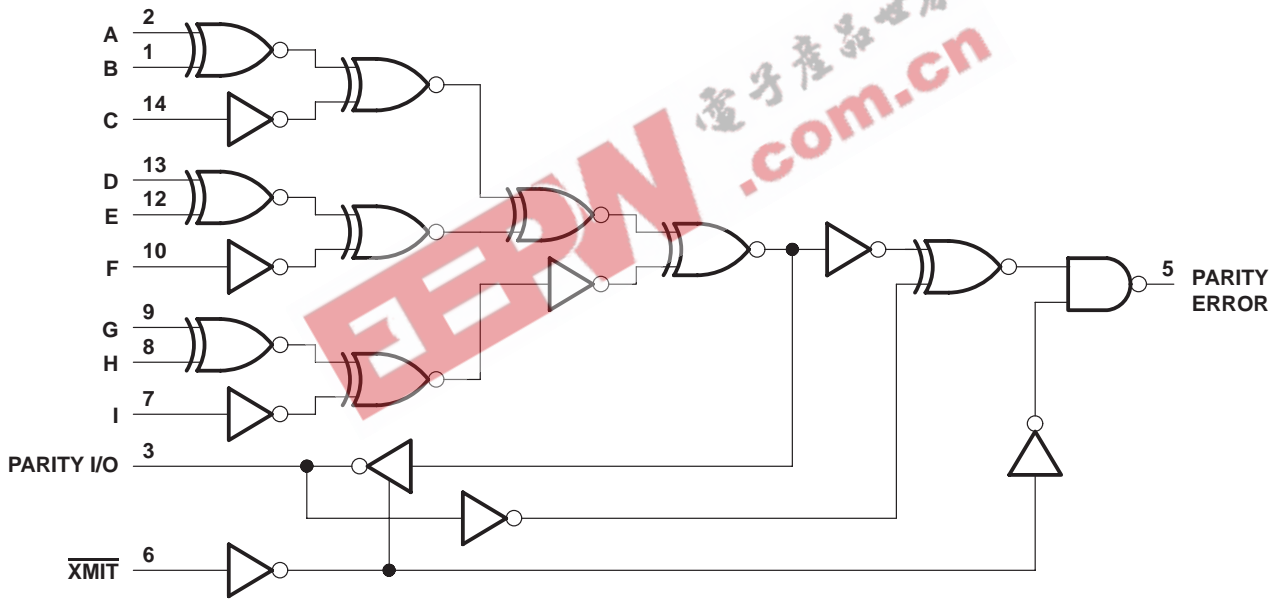
SCAS069B – AUGUST 1988 – REVISED APRIL 1996

logic symbol†



† This symbol is in accordance with ANSI/IEEE Std 91-1984 and IEC Publication 617-12.

logic diagram (positive logic)



74ACT11286
9-BIT PARITY GENERATOR/CHECKER
WITH BUS DRIVER PARITY I/O PORTS

SCAS069B – AUGUST 1988 – REVISED APRIL 1996

absolute maximum ratings over operating free-air temperature range (unless otherwise noted)†

Supply voltage range, V_{CC}	–0.5 V to 7 V
Input voltage range, V_I (see Note 1)	–0.5 V to $V_{CC} + 0.5$ V
Output voltage range, V_O (see Note 1)	–0.5 V to $V_{CC} + 0.5$ V
Input clamp current, I_{IK} ($V_I < 0$ or $V_I > V_{CC}$)	±20 mA
Output clamp current, I_{OK} ($V_O < 0$ or $V_O > V_{CC}$)	±50 mA
Continuous output current, I_O ($V_O = 0$ to V_{CC})	±50 mA
Continuous current through V_{CC} or GND	±100 mA
Maximum power dissipation at $T_A = 55^\circ\text{C}$ (in still air) (see Note 2): D package	1.25 W
N package	1.1 W
Storage temperature range, T_{stg}	–65°C to 150°C

† Stresses beyond those listed under “absolute maximum ratings” may cause permanent damage to the device. These are stress ratings only, and functional operation of the device at these or any other conditions beyond those indicated under “recommended operating conditions” is not implied. Exposure to absolute-maximum-rated conditions for extended periods may affect device reliability.

- NOTES: 1. The input and output voltage ratings may be exceeded if the input and output current ratings are observed.
 2. The maximum package power dissipation is calculated using a junction temperature of 150°C and a board trace length of 750 mils, except for the N package, which has a trace length of zero.

recommended operating conditions

	MIN	MAX	UNIT
V_{CC} Supply voltage	4.5	5.5	V
V_{IH} High-level input voltage	2		V
V_{IL} Low-level input voltage		0.8	V
V_I Input voltage	0	V_{CC}	V
V_O Output voltage	0	V_{CC}	V
I_{OH} High-level output current		–24	mA
I_{OL} Low-level output current		24	mA
$\Delta t/\Delta v$ Input transition rise or fall rate	0	10	ns/V
T_A Operating free-air temperature	–40	85	°C

74ACT11286

9-BIT PARITY GENERATOR/CHECKER WITH BUS DRIVER PARITY I/O PORTS

SCAS069B – AUGUST 1988 – REVISED APRIL 1996

electrical characteristics over recommended operating free-air temperature range (unless otherwise noted)

PARAMETER	TEST CONDITIONS	V _{CC}	T _A = 25°C			MIN	MAX	UNIT
			MIN	TYP	MAX			
V _{OH}	I _{OH} = -50 μA	4.5 V	4.4		4.4		V	
		5.5 V	5.4		5.4			
	I _{OH} = -24 mA	4.5 V	3.94		3.8			
		5.5 V	4.94		4.8			
I _{OH} = -75 mA†	5.5 V			3.85				
V _{OL}	I _L = 50 μA	4.5 V		0.1	0.1		V	
		5.5 V		0.1	0.1			
	I _{OL} = 24 mA	4.5 V		0.36	0.44			
		5.5 V		0.36	0.44			
I _{OL} = 75 mA†	5.5 V			1.65				
I _{OZ}	PARITY I/O	V _O = V _{CC} or GND	5.5 V		±0.5	±5	μA	
I _I	Except PARITY I/O	V _I = V _{CC} or GND	5.5 V		±0.1	±1	μA	
I _{CC}		V _I = V _{CC} or GND, I _O = 0	5.5 V		8	80	μA	
ΔI _{CC} ‡		One input at 3.4 V, Other inputs at GND or V _{CC}	5.5 V		0.9	1	mA	
C _i		V _I = V _{CC} or GND	5 V		3.5		pF	
C _o	PARITY I/O	V _O = V _{CC} or GND	5 V		8		pF	

† Not more than one output should be tested at a time, and the duration of the test should not exceed 10 ms.

‡ This is the increase in supply current for each input that is at one of the specified TTL voltage levels rather than 0 V to V_{CC}.

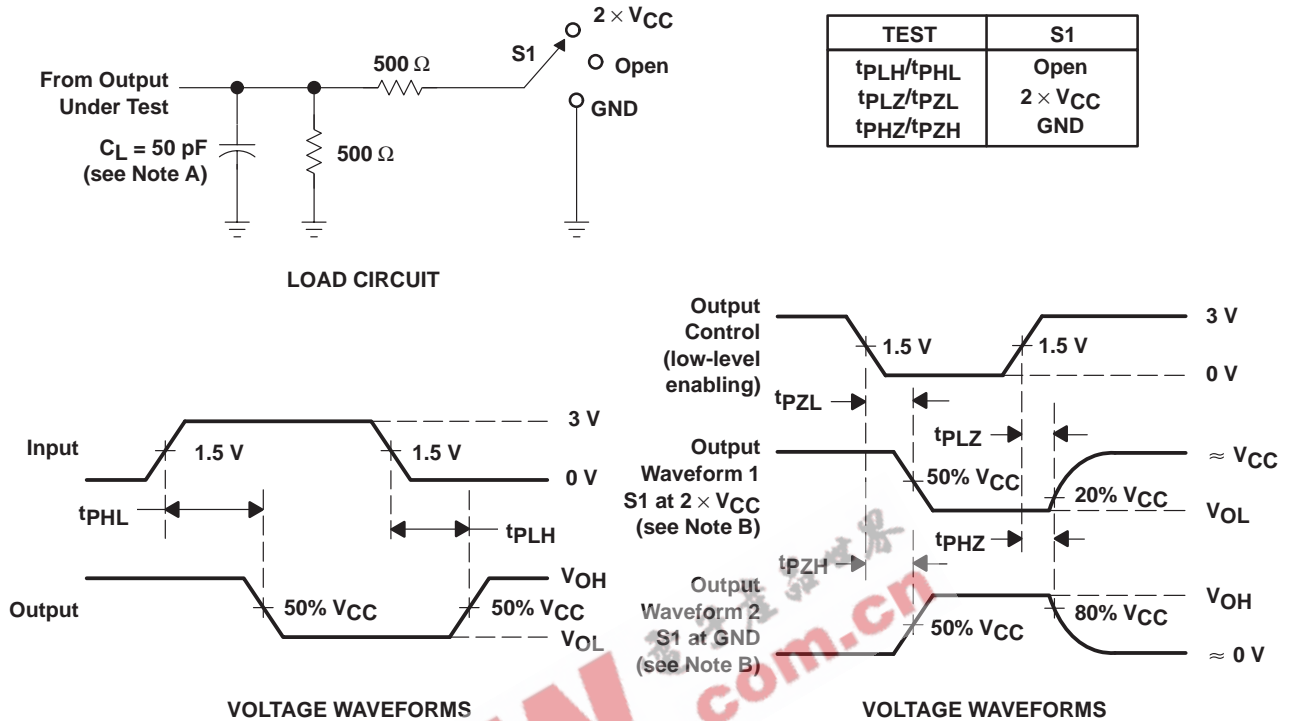
switching characteristics over recommended ranges of supply voltage and operating free-air temperature (unless otherwise noted) (see Figure 1)

PARAMETER	FROM (INPUT)	TO (OUTPUT)	T _A = 25°C			MIN	MAX	UNIT
			MIN	TYP	MAX			
t _{PLH}	Any A-I	PARITY I/O	2.7	6.1	9	2.7	10.4	ns
t _{PHL}			3.6	7.3	10.8	3.6	12	
t _{PLH}	Any A-I	PARITY ERROR	3	6.9	9.7	3	11.3	ns
t _{PHL}			3.9	7.7	11.4	3.9	12.9	
t _{PLH}	PARITY I/O	PARITY ERROR	2.2	4.6	6.8	2.2	7.7	ns
t _{PHL}			3.1	5.6	8.3	3.1	9.1	
t _{PZH}	XMIT	PARITY I/O	1.8	4.2	6.3	1.8	7.3	ns
t _{PZL}			3	6.3	9.4	3	11.4	
t _{PHZ}	XMIT	PARITY I/O	4.7	6.5	7.9	4.7	8.5	ns
t _{PLZ}			4.1	6	7.3	4.1	7.8	

operating characteristics, V_{CC} = 5 V, T_A = 25°C

PARAMETER		TEST CONDITIONS	TYP	UNIT
C _{pd}	Power dissipation capacitance	C _L = 50 pF, f = 1 MHz	56	pF
			50	

PARAMETER MEASUREMENT INFORMATION



- NOTES: A. C_L includes probe and jig capacitance.
 B. Waveform 1 is for an output with internal conditions such that the output is low except when disabled by the output control. Waveform 2 is for an output with internal conditions such that the output is high except when disabled by the output control.
 C. All input pulses are supplied by generators having the following characteristics: $PRR \leq 1 \text{ MHz}$, $Z_O = 50 \Omega$, $t_r = 3 \text{ ns}$, $t_f = 3 \text{ ns}$.
 D. The outputs are measured one at a time with one transition per measurement.

Figure 1. Load Circuit and Voltage Waveforms

IMPORTANT NOTICE

Texas Instruments and its subsidiaries (TI) reserve the right to make changes to their products or to discontinue any product or service without notice, and advise customers to obtain the latest version of relevant information to verify, before placing orders, that information being relied on is current and complete. All products are sold subject to the terms and conditions of sale supplied at the time of order acknowledgement, including those pertaining to warranty, patent infringement, and limitation of liability.

TI warrants performance of its semiconductor products to the specifications applicable at the time of sale in accordance with TI's standard warranty. Testing and other quality control techniques are utilized to the extent TI deems necessary to support this warranty. Specific testing of all parameters of each device is not necessarily performed, except those mandated by government requirements.

CERTAIN APPLICATIONS USING SEMICONDUCTOR PRODUCTS MAY INVOLVE POTENTIAL RISKS OF DEATH, PERSONAL INJURY, OR SEVERE PROPERTY OR ENVIRONMENTAL DAMAGE ("CRITICAL APPLICATIONS"). TI SEMICONDUCTOR PRODUCTS ARE NOT DESIGNED, AUTHORIZED, OR WARRANTED TO BE SUITABLE FOR USE IN LIFE-SUPPORT DEVICES OR SYSTEMS OR OTHER CRITICAL APPLICATIONS. INCLUSION OF TI PRODUCTS IN SUCH APPLICATIONS IS UNDERSTOOD TO BE FULLY AT THE CUSTOMER'S RISK.

In order to minimize risks associated with the customer's applications, adequate design and operating safeguards must be provided by the customer to minimize inherent or procedural hazards.

TI assumes no liability for applications assistance or customer product design. TI does not warrant or represent that any license, either express or implied, is granted under any patent right, copyright, mask work right, or other intellectual property right of TI covering or relating to any combination, machine, or process in which such semiconductor products or services might be or are used. TI's publication of information regarding any third party's products or services does not constitute TI's approval, warranty or endorsement thereof.