

# DATA SHEET

For a complete data sheet, please also download:

- The IC06 74HC/HCT/HCU/HCMOS Logic Family Specifications
- The IC06 74HC/HCT/HCU/HCMOS Logic Package Information
- The IC06 74HC/HCT/HCU/HCMOS Logic Package Outlines

EEPW 电子产品世界  
.com.cn

## 74HC/HCT377

Octal D-type flip-flop with data enable; positive-edge trigger

Product specification  
File under Integrated Circuits, IC06

December 1990

## Octal D-type flip-flop with data enable; positive-edge trigger

## 74HC/HCT377

### FEATURES

- Ideal for addressable register applications
- Data enable for address and data synchronization applications
- Eight positive-edge triggered D-type flip-flops
- See "273" for master reset version
- See "373" for transparent latch version
- See "374" for 3-state version
- Output capability: standard
- I<sub>CC</sub> category: MSI

### GENERAL DESCRIPTION

The 74HC/HCT377 are high-speed Si-gate CMOS devices and are pin compatible with low power Schottky TTL (LSTTL). They are specified in compliance with JEDEC standard no. 7A.

The 74HC/HCT377 have eight edge-triggered, D-type flip-flops with individual D inputs and Q outputs. A common clock (CP) input loads all flip-flops simultaneously when the data enable ( $\bar{E}$ ) is LOW. The state of each D input, one set-up time before the LOW-to-HIGH clock transition, is transferred to the corresponding output (Q<sub>n</sub>) of the flip-flop.

The  $\bar{E}$  input must be stable only one set-up time prior to the LOW-to-HIGH transition for predictable operation.

### QUICK REFERENCE DATA

GND = 0 V; T<sub>amb</sub> = 25 °C; t<sub>r</sub> = t<sub>f</sub> = 6 ns

| SYMBOL                              | PARAMETER                                   | CONDITIONS                                    | TYPICAL |     | UNIT |
|-------------------------------------|---|---|---------|-----|------|
|                                     |   |   | HC      | HCT |      |
| t <sub>PHL</sub> / t <sub>PLH</sub> | propagation delay CP to Q <sub>n</sub>      | C <sub>L</sub> = 15 pF; V <sub>CC</sub> = 5 V | 13      | 14  | ns   |
| f <sub>max</sub>                    | maximum clock frequency                     |   | 77      | 53  | MHz  |
| C <sub>I</sub>                      | input capacitance                           |   | 3.5     | 3.5 | pF   |
| C <sub>PD</sub>                     | power dissipation capacitance per flip-flop | notes 1 and 2                                 | 20      | 20  | pF   |

### Notes

1. C<sub>PD</sub> is used to determine the dynamic power dissipation (P<sub>D</sub> in μW):

$$P_D = C_{PD} \times V_{CC}^2 \times f_i + \sum (C_L \times V_{CC}^2 \times f_o) \text{ where:}$$

f<sub>i</sub> = input frequency in MHz

f<sub>o</sub> = output frequency in MHz

∑ (C<sub>L</sub> × V<sub>CC</sub><sup>2</sup> × f<sub>o</sub>) = sum of outputs

C<sub>L</sub> = output load capacitance in pF

V<sub>CC</sub> = supply voltage in V

2. For HC the condition is V<sub>I</sub> = GND to V<sub>CC</sub>  
For HCT the condition is V<sub>I</sub> = GND to V<sub>CC</sub> – 1.5 V

### ORDERING INFORMATION

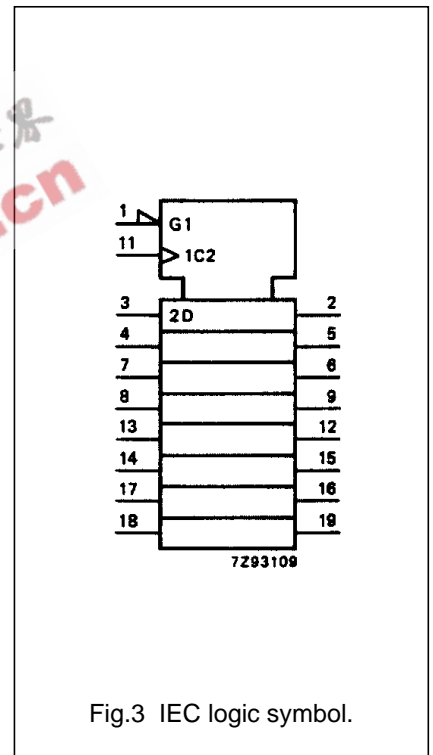
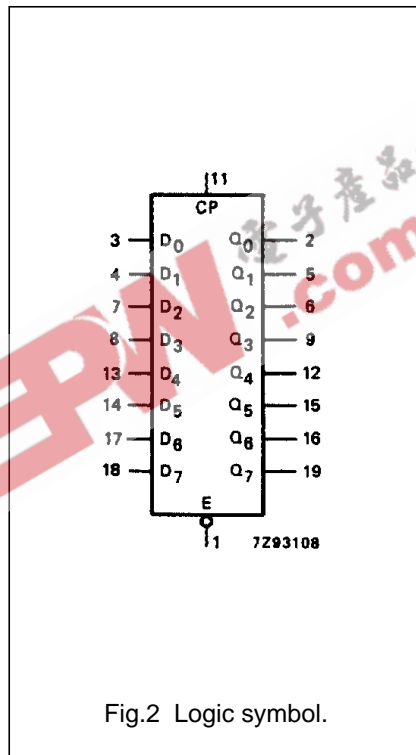
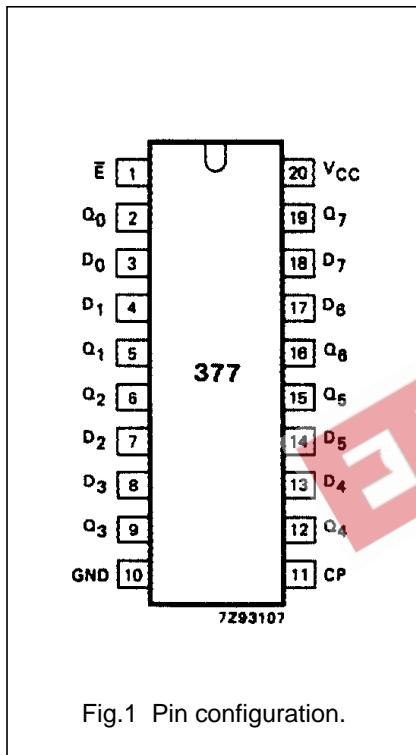
See "74HC/HCT/HCU/HCMOS Logic Package Information".

Octal D-type flip-flop with data enable;  
positive-edge trigger

74HC/HCT377

PIN DESCRIPTION

| PIN NO.                    | SYMBOL         | NAME AND FUNCTION                         |
|----------------------------|----------------|---|
| 1                          | $\bar{E}$      | data enable input (active LOW)            |
| 2, 5, 6, 9, 12, 15, 16, 19 | $Q_0$ to $Q_7$ | flip-flop outputs                         |
| 3, 4, 7, 8, 13, 14, 17, 18 | $D_0$ to $D_7$ | data inputs                               |
| 10                         | GND            | ground (0 V)                              |
| 11                         | CP             | clock input (LOW-to-HIGH, edge-triggered) |
| 20                         | $V_{CC}$       | positive supply voltage                   |



Octal D-type flip-flop with data enable;  
positive-edge trigger

74HC/HCT377

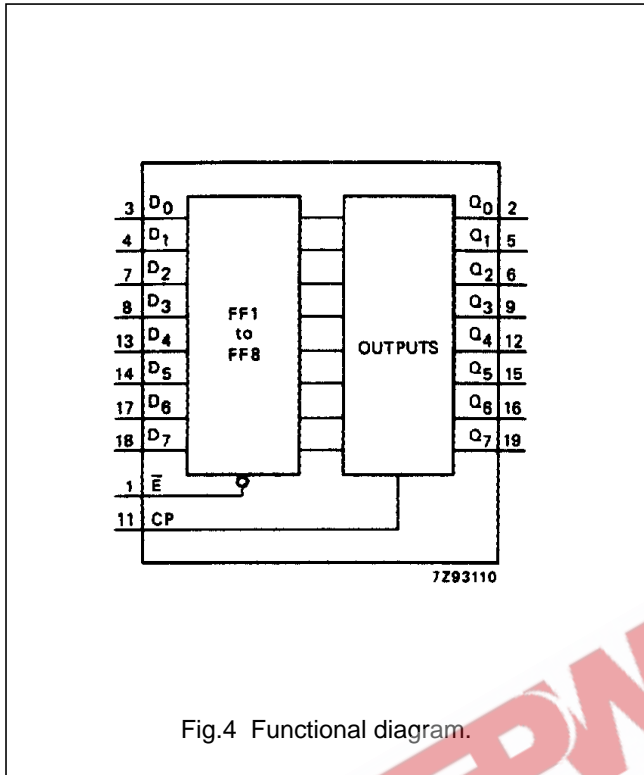


Fig.4 Functional diagram.

FUNCTION TABLE

| OPERATING MODES   | INPUTS |           |       | OUTPUTS   |
|-------------------|--------|-----------|-------|-----------|
|                   | CP     | $\bar{E}$ | $D_n$ | $Q_n$     |
| load "1"          | ↑      | l         | h     | H         |
| load "0"          | ↑      | l         | l     | L         |
| hold (do nothing) | ↑      | h         | X     | no change |
|                   | X      | H         | X     | no change |

Notes

- H = HIGH voltage level  
 h = HIGH voltage level one set-up time prior to the LOW-to-HIGH CP transition  
 L = LOW voltage level  
 l = LOW voltage level one set-up time prior to the LOW-to-HIGH CP transition  
 ↑ = LOW-to-HIGH CP transition  
 X = don't care

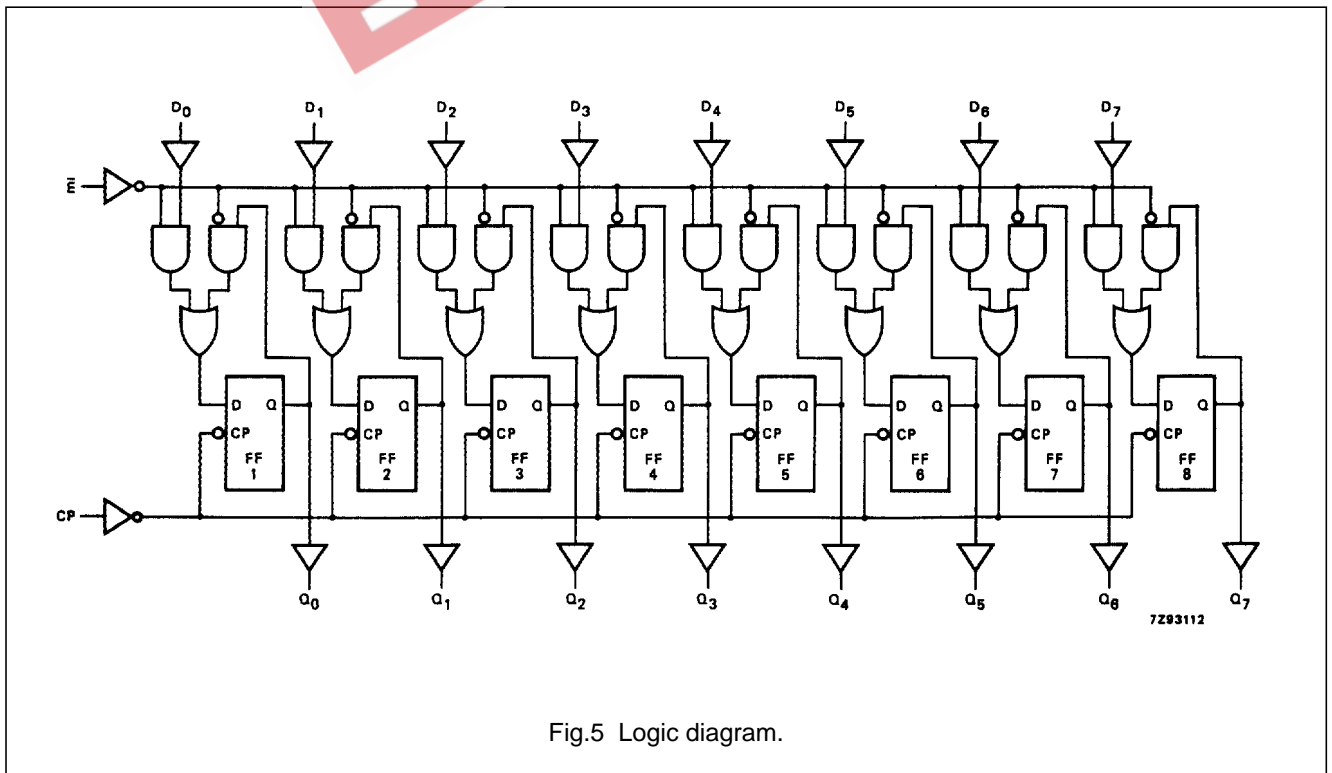


Fig.5 Logic diagram.

# Octal D-type flip-flop with data enable; positive-edge trigger

74HC/HCT377

## DC CHARACTERISTICS FOR 74HC

For the DC characteristics see *"74HC/HCT/HCU/HCMOS Logic Family Specifications"*.

Output capability: standard

I<sub>CC</sub> category: MSI

## AC CHARACTERISTICS FOR 74HC

GND = 0 V; t<sub>r</sub> = t<sub>f</sub> = 6 ns; C<sub>L</sub> = 50 pF

| SYMBOL                              | PARAMETER                                 | T <sub>amb</sub> (°C) |                |                 |                 |                 |                 | UNIT | TEST CONDITIONS        |           |
|-------------------------------------|---|-----------------------|----------------|-----------------|-----------------|-----------------|-----------------|------|------------------------|-----------|
|                                     |   | 74HC                  |                |                 |                 |                 |                 |      | V <sub>CC</sub><br>(V) | WAVEFORMS |
|                                     |   | +25                   |                |                 | -40 to +85      |                 | -40 to +125     |      |                        |           |
|                                     |   | min.                  | typ.           | max.            | min.            | max.            | min.            |      |                        |           |
| t <sub>PHL</sub> / t <sub>PLH</sub> | propagation delay<br>CP to Q <sub>n</sub> |                       | 44<br>16<br>13 | 160<br>32<br>27 |                 | 200<br>40<br>34 | 240<br>48<br>41 | ns   | 2.0<br>4.5<br>6.0      | Fig.6     |
| t <sub>THL</sub> / t <sub>TLH</sub> | output transition time                    |                       | 19<br>7<br>6   | 75<br>15<br>13  |                 | 95<br>19<br>16  | 110<br>22<br>19 | ns   | 2.0<br>4.5<br>6.0      | Fig.6     |
| t <sub>W</sub>                      | clock pulse width<br>HIGH or LOW          | 80<br>16<br>14        | 14<br>5<br>4   |                 | 100<br>20<br>17 |                 | 120<br>24<br>20 | ns   | 2.0<br>4.5<br>6.0      | Fig.6     |
| t <sub>su</sub>                     | set-up time<br>D <sub>n</sub> to CP       | 60<br>12<br>10        | 14<br>5<br>4   |                 | 75<br>15<br>13  |                 | 90<br>18<br>15  | ns   | 2.0<br>4.5<br>6.0      | Fig.7     |
| t <sub>su</sub>                     | set-up time<br>$\bar{E}$ to CP            | 60<br>12<br>10        | 6<br>2<br>2    |                 | 75<br>15<br>13  |                 | 90<br>18<br>15  | ns   | 2.0<br>4.5<br>6.0      | Fig.7     |
| t <sub>h</sub>                      | hold time<br>D <sub>n</sub> to CP         | 3<br>3<br>3           | -8<br>-3<br>-2 |                 | 3<br>3<br>3     |                 | 3<br>3<br>3     | ns   | 2.0<br>4.5<br>6.0      | Fig.7     |
| t <sub>h</sub>                      | hold time<br>$\bar{E}$ to CP              | 4<br>4<br>4           | -3<br>-1<br>-1 |                 | 4<br>4<br>4     |                 | 4<br>4<br>4     | ns   | 2.0<br>4.5<br>6.0      | Fig.7     |
| f <sub>max</sub>                    | maximum clock pulse<br>frequency          | 6<br>30<br>35         | 23<br>70<br>83 |                 | 5<br>24<br>28   |                 | 4<br>20<br>24   | MHz  | 2.0<br>4.5<br>6.0      | Fig.6     |

# Octal D-type flip-flop with data enable; positive-edge trigger

74HC/HCT377

## DC CHARACTERISTICS FOR 74HCT

For the DC characteristics see *"74HC/HCT/HCU/HCMOS Logic Family Specifications"*.

Output capability: standard

I<sub>CC</sub> category: MSI

### Note to HCT types

The value of additional quiescent supply current ( $\Delta I_{CC}$ ) for a unit load of 1 is given in the family specifications. To determine  $\Delta I_{CC}$  per input, multiply this value by the unit load coefficient shown in the table below.

| INPUT          | UNIT LOAD COEFFICIENT |
|----------------|-----------------------|
| $\bar{E}$      | 1.50                  |
| CP             | 0.50                  |
| D <sub>n</sub> | 0.20                  |

## AC CHARACTERISTICS FOR 74HCT

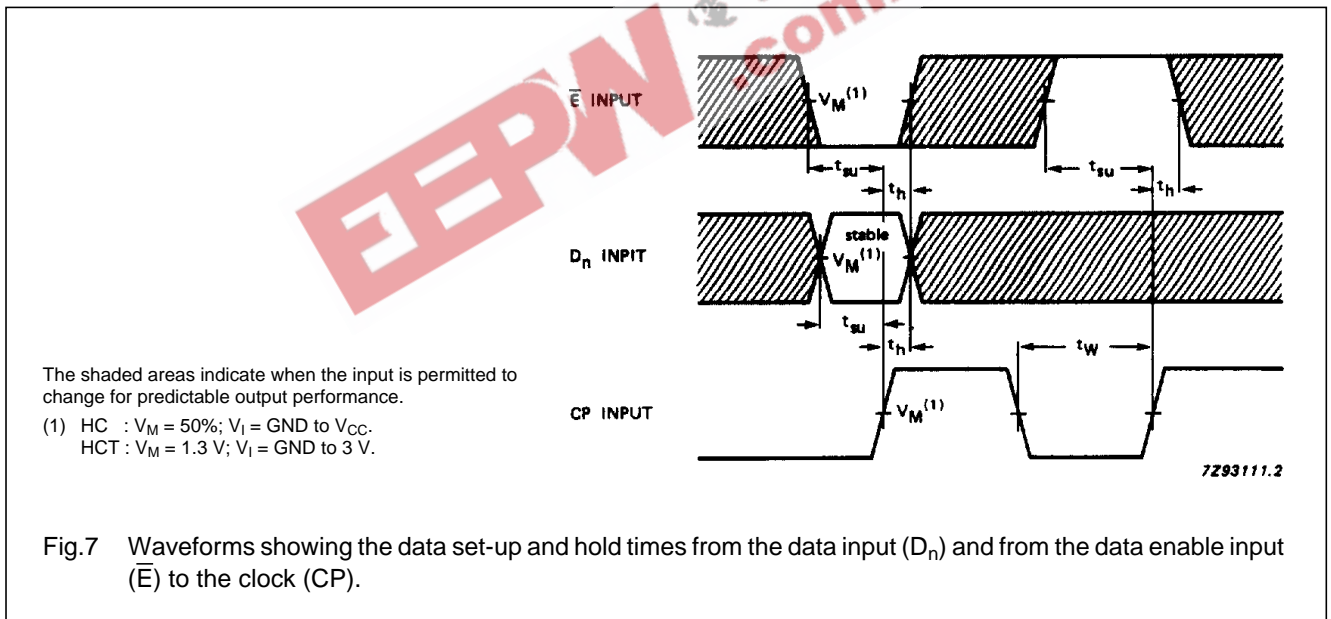
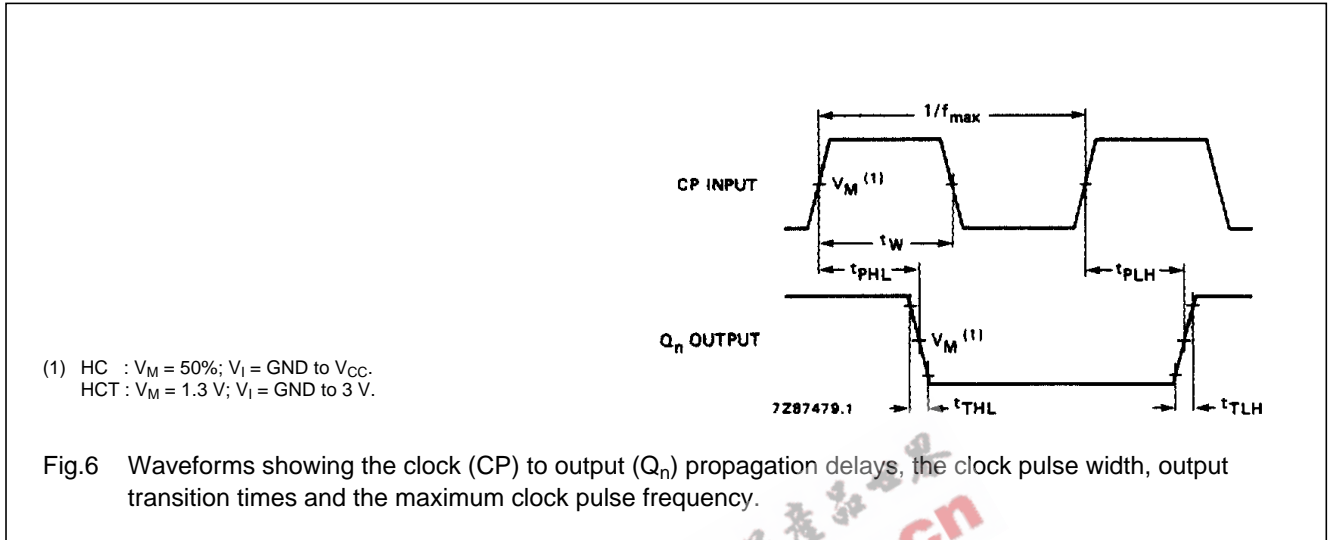
GND = 0 V; t<sub>r</sub> = t<sub>f</sub> = 6 ns; C<sub>L</sub> = 50 pF

| SYMBOL                              | PARAMETER                                 | T <sub>amb</sub> (°C) |      |      |            |      |             | UNIT | TEST CONDITIONS        |           |       |
|-------------------------------------|---|-----------------------|------|------|------------|------|-------------|------|------------------------|-----------|-------|
|                                     |   | 74HCT                 |      |      |            |      |             |      | V <sub>CC</sub><br>(V) | WAVEFORMS |       |
|                                     |   | +25                   |      |      | -40 to +85 |      | -40 to +125 |      |                        |           |       |
|                                     |   | min.                  | typ. | max. | min.       | max. | min.        |      |                        |           | max.  |
| t <sub>PHL</sub> / t <sub>PLH</sub> | propagation delay<br>CP to Q <sub>n</sub> |                       | 17   | 32   |            | 40   |             | 48   | ns                     | 4.5       | Fig.6 |
| t <sub>THL</sub> / t <sub>TLH</sub> | output transition time                    |                       | 7    | 15   |            | 19   |             | 22   | ns                     | 4.5       | Fig.6 |
| t <sub>W</sub>                      | clock pulse width<br>HIGH or LOW          | 20                    | 8    |      | 25         |      | 30          |      | ns                     | 4.5       | Fig.6 |
| t <sub>su</sub>                     | set-up time<br>D <sub>n</sub> to CP       | 12                    | 4    |      | 15         |      | 18          |      | ns                     | 4.5       | Fig.7 |
| t <sub>su</sub>                     | set-up time<br>$\bar{E}$ to CP            | 22                    | 12   |      | 28         |      | 33          |      | ns                     | 4.5       | Fig.7 |
| t <sub>h</sub>                      | hold time<br>D <sub>n</sub> to CP         | 2                     | -4   |      | 2          |      | 2           |      | ns                     | 4.5       | Fig.7 |
| t <sub>h</sub>                      | hold time<br>$\bar{E}$ to CP              | 3                     | -2   |      | 3          |      | 3           |      | ns                     | 4.5       | Fig.7 |
| f <sub>max</sub>                    | maximum clock pulse<br>frequency          | 27                    | 48   |      | 22         |      | 18          |      | MHz                    | 4.5       | Fig.6 |

Octal D-type flip-flop with data enable;  
positive-edge trigger

74HC/HCT377

AC WAVEFORMS



PACKAGE OUTLINES

See "74HC/HCT/HCU/HCMOS Logic Package Outlines".