

## 74ABT2541

### Octal Buffer/Line Driver with 25Ω Series Resistors in the Outputs

#### General Description

The ABT2541 is an octal buffer and line driver designed to drive the capacitive inputs of MOS memory drivers, address drivers, clock drivers, and bus-oriented transmitters/receivers. Functionally identical to the ABT541.

The 25Ω series resistors in the outputs reduce ringing and eliminate the need for external resistors.

#### Features

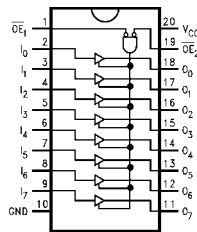
- Guaranteed output skew
- Guaranteed multiple output switching specifications
- Output switching specified for both 50 pF and 250 pF loads
- Guaranteed simultaneously switching noise level and dynamic threshold performance
- Guaranteed latchup protection
- High impedance glitch free bus loading during entire power up and power down cycle
- Nondestructive hot insertion capability
- Disable time less than enable time to avoid bus contention

#### Ordering Code:

Order Number	Package Number	Package Description
74ABT2541CSC	M20B	20-Lead Small Outline Integrated Circuit (SOIC), JEDEC MS-013, 0.300" Wide Body
74ABT2541CSJ	M20D	20-Lead Small Outline Package (SOP), EIAJ TYPE II, 5.3mm Wide
74ABT2541CMSA	MSA20	20-Lead Shrink Small Outline Package (SSOP), EIAJ TYPE II, 5.3mm Wide
74ABT2541CMTC	MTC20	20-Lead Thin Shrink Small Outline Package (TSSOP), JEDEC MO-153, 4.4mm Wide

Devices also available in Tape and Reel. Specify by appending "X" to the ordering code.

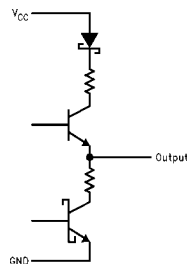
#### Connection Diagram



#### Pin Descriptions

Pin Names	Description
$\overline{OE}_1, \overline{OE}_2$	Output Enable Input (Active LOW)
$I_0-I_7$	Inputs
$O_0-O_7$	Outputs

#### Schematic of Each Output



#### Truth Table

Inputs			Outputs
$\overline{OE}_1$	$\overline{OE}_2$	I	
L	L	H	H
H	X	X	Z
X	H	X	Z
L	L	L	L

H = HIGH Voltage Level  
L = LOW Voltage Level  
X = Immaterial  
Z = High Impedance

Absolute Maximum Ratings (Note 1)		Recommended Operating Conditions	
Storage Temperature	-65°C to +150°C	Free Air Ambient Temperature	-40°C to +85°C
Ambient Temperature under Bias	-55°C to +125°C	Supply Voltage	+4.5V to +5.5V
Junction Temperature under Bias	-55°C to +150°C	Minimum Input Edge Rate ( $\Delta V/\Delta t$ )	
$V_{CC}$ Pin Potential to Ground Pin	-0.5V to +7.0V	Data Input	50 mV/ns
Input Voltage (Note 2)	-0.5V to +7.0V	Enable Input	20 mV/ns
Input Current (Note 2)	-30 mA to +5.0 mA		
Voltage Applied to Any Output in the Disabled or Power-Off State	-0.5V to 5.5V		
in the HIGH State	-0.5V to $V_{CC}$		
Current Applied to Output in LOW State (Max)	twice the rated $I_{OL}$ (mA)		
DC Latchup Source Current	-500 mA		
Over Voltage Latchup (I/O)	10V		

**Note 1:** Absolute maximum ratings are values beyond which the device may be damaged or have its useful life impaired. Functional operation under these conditions is not implied.

**Note 2:** Either voltage limit or current limit is sufficient to protect inputs.

### DC Electrical Characteristics

Symbol	Parameter	Min	Typ	Max	Units	$V_{CC}$	Conditions
$V_{IH}$	Input HIGH Voltage	2.0			V		Recognized HIGH Signal
$V_{IL}$	Input LOW Voltage			0.8	V		Recognized LOW Signal
$V_{CD}$	Input Clamp Diode Voltage			-1.2	V	Min	$I_{IN} = -18$ mA
$V_{OH}$	Output HIGH Voltage	2.5			V	Min	$I_{OH} = -3$ mA
		2.0			V	Min	$I_{OH} = -32$ mA
$V_{OL}$	Output LOW Voltage			0.8	V	Min	$I_{OL} = 15$ mA
$I_{IH}$	Input HIGH Current			1	$\mu$ A	Max	$V_{IN} = 2.7$ V (Note 3) $V_{IN} = V_{CC}$
$I_{BVI}$	Input HIGH Current Breakdown Test			7	$\mu$ A	Max	$V_{IN} = 7.0$ V
$I_{IL}$	Input LOW Current			-1	$\mu$ A	Max	$V_{IN} = 0.5$ V (Note 3) $V_{IN} = 0.0$ V
$V_{ID}$	Input Leakage Test	4.75			V	0.0	$I_{ID} = 1.9$ $\mu$ A All Other Pins Grounded
$I_{OZH}$	Output Leakage Current			10	$\mu$ A	0 - 5.5V	$V_{OUT} = 2.7$ V; $\overline{OE}_n = 2.0$ V
$I_{OZL}$	Output Leakage Current			-10	$\mu$ A	0 - 5.5V	$V_{OUT} = 0.5$ V; $\overline{OE}_n = 2.0$ V
$I_{OS}$	Output Short-Circuit Current	-100		-275	mA	Max	$V_{OUT} = 0.0$ V
$I_{CEX}$	Output High Leakage Current			50	$\mu$ A	Max	$V_{OUT} = V_{CC}$
$I_{ZZ}$	Bus Drainage Test			100	$\mu$ A	0.0	$V_{OUT} = 5.5$ V; All Others GND
$I_{CCH}$	Power Supply Current			50	$\mu$ A	Max	All Outputs HIGH
$I_{CCL}$	Power Supply Current			30	mA	Max	All Outputs LOW
$I_{CCZ}$	Power Supply Current			50	$\mu$ A	Max	$\overline{OE}_n = V_{CC}$ ; All Others at $V_{CC}$ or GND
$I_{CCT}$	Additional $I_{CC}$ /Input			2.5	mA		$V_i = V_{CC} - 2.1$ V
	Outputs Enabled			2.5	mA	Max	Enable Input $V_i = V_{CC} - 2.1$ V
	Outputs 3-STATE			50	$\mu$ A		Data Input $V_i = V_{CC} - 2.1$ V
	Outputs 3-STATE						All Others at $V_{CC}$ or GND
$I_{CCD}$	Dynamic $I_{CC}$ (Note 4)			0.1	mA/ MHz	Max	Outputs OPEN $\overline{OE}_n =$ GND (Note 3) One Bit Toggling, 50% Duty Cycle

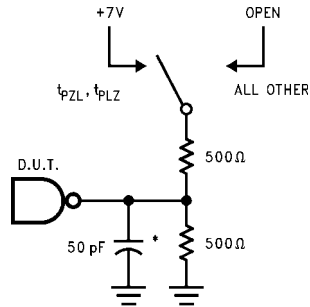
**Note 3:** Guaranteed, but not tested.

**Note 4:** For 8 bit toggling,  $I_{CCD} < 0.8$  mA/MHz.

DC Electrical Characteristics									
(SOIC Package)									
Symbol	Parameter	Min	Typ	Max	Units	V <sub>CC</sub>	Conditions C <sub>L</sub> = 50 pF, R <sub>L</sub> = 500Ω		
V <sub>OLP</sub>	Quiet Output Maximum Dynamic V <sub>OL</sub>		0.6	0.8	V	5.0	T <sub>A</sub> = 25°C (Note 5)		
V <sub>OLV</sub>	Quiet Output Minimum Dynamic V <sub>OL</sub>	-0.5	-0.4		V	5.0	T <sub>A</sub> = 25°C (Note 5)		
V <sub>OHV</sub>	Minimum HIGH Level Dynamic Output Voltage	2.7	3.1		V	5.0	T <sub>A</sub> = 25°C (Note 6)		
V <sub>IHD</sub>	Minimum HIGH Level Dynamic Input Voltage	2.0	1.4		V	5.0	T <sub>A</sub> = 25°C (Note 7)		
V <sub>ILD</sub>	Maximum LOW Level Dynamic Input Voltage		1.2	0.8	V	5.0	T <sub>A</sub> = 25°C (Note 7)		
<p><b>Note 5:</b> Max number of outputs defined as (n). n-1 data inputs are driven 0V to 3V. One output at LOW. Guaranteed, but not tested.</p> <p><b>Note 6:</b> Max number of data inputs (n) switching. n-1 inputs switching 0V to 3V. Input-under-test switching: 3V to threshold (V<sub>ILD</sub>), 0V to threshold (V<sub>IHD</sub>). Guaranteed, but not tested.</p> <p><b>Note 7:</b> Max number of outputs defined as (n). n - 1 data inputs are driven 0V to 3V. One output HIGH. Guaranteed, but not tested.</p>									
AC Electrical Characteristics									
Symbol	Parameter	T <sub>A</sub> = +25°C V <sub>CC</sub> = +5V C <sub>L</sub> = 50 pF			T <sub>A</sub> = -40°C to +85°C V <sub>CC</sub> = 4.5V-5.5V C <sub>L</sub> = 50 pF		Units		
		Min	Typ	Max	Min	Max			
t <sub>PLH</sub>	Propagation Delay Data to Outputs	1.0	2.3	3.6	1.0	3.6	ns		
t <sub>PHL</sub>		1.0	3.3	4.1	1.0	4.1			
t <sub>PZH</sub>	Output Enable Time	1.5	3.7	6.0	1.5	6.0	ns		
t <sub>PZL</sub>		1.5	4.3	6.5	1.5	6.5			
t <sub>PHZ</sub>	Output Disable Time	1.0	3.5	6.0	1.0	6.0	ns		
t <sub>PLZ</sub>		1.0	3.7	5.6	1.0	5.6			
Extended AC Electrical Characteristics									
(SOIC Package)									
Symbol	Parameter	-40°C to +85°C V <sub>CC</sub> = 4.5V-5.5V C <sub>L</sub> = 50 pF 8 Outputs Switching (Note 8)			T <sub>A</sub> = -40°C to +85°C V <sub>CC</sub> = 4.5V-5.5V C <sub>L</sub> = 250 pF 1 Output Switching (Note 9)		T <sub>A</sub> = -40°C to +85°C V <sub>CC</sub> = 4.5V-5.5V C <sub>L</sub> = 250 pF 8 Outputs Switching (Note 10)		Units
		Min	Typ	Max	Min	Max	Min	Max	
f <sub>TOGGLE</sub>	Maximum Toggle Frequency	100							MHz
t <sub>PLH</sub>	Propagation Delay Data to Outputs	1.5	5.0		1.5	6.0	2.5	8.5	ns
t <sub>PHL</sub>		1.5	5.5		1.5	10.0	2.5	11.0	
t <sub>PZH</sub>	Output Enable Time	1.5	6.5		2.5	7.5	2.5	9.5	ns
t <sub>PZL</sub>		1.5	7.0		2.5	11.0	2.5	12.5	
t <sub>PHZ</sub>	Output Disable Time	1.0	6.0		(Note 11)		(Note 11)		ns
t <sub>PLZ</sub>		1.0	6.0		(Note 11)		(Note 11)		
<p><b>Note 8:</b> This specification is guaranteed but not tested. The limits apply to propagation delays for all paths described switching in phase (i.e., all LOW-to-HIGH, HIGH-to-LOW, etc.).</p> <p><b>Note 9:</b> This specification is guaranteed but not tested. The limits represent propagation delay with 250 pF load capacitors in place of the 50 pF load capacitors in the standard AC load. This specification pertains to single output switching only.</p> <p><b>Note 10:</b> This specification is guaranteed but not tested. The limits represent propagation delays for all paths described switching in phase (i.e., all LOW-to-HIGH, HIGH-to-LOW, etc.) with 250 pF load capacitors in place of the 50 pF load capacitors in the standard AC load.</p> <p><b>Note 11:</b> The 3-STATE delays are dominated by the RC network (500Ω, 250 pF) on the output and have been excluded from the datasheet.</p>									

<b>Skew</b> (SOIC Package)				
Symbol	Parameter	$T_A = -40^\circ\text{C to } +85^\circ\text{C}$ $V_{CC} = 4.5\text{V} - 5.5\text{V}$ $C_L = 50\text{ pF}$ 8 Outputs Switching (Note 12)	$T_A = -40^\circ\text{C to } +85^\circ\text{C}$ $V_{CC} = 4.5\text{V} - 5.5\text{V}$ $C_L = 250\text{ pF}$ 8 Outputs Switching (Note 13)	Units
		Max	Max	
$t_{OSHL}$ (Note 14)	Pin to Pin Skew HL Transitions	1.3	2.3	ns
$t_{OSLH}$ (Note 14)	Pin to Pin Skew LH Transitions	1.0	1.8	ns
$t_{PS}$ (Note 15)	Duty Cycle LH-HL Skew	2.0	5.0	ns
$t_{OST}$ (Note 14)	Pin to Pin Skew LH/HL Transitions	2.0	5.0	ns
$t_{PV}$ (Note 16)	Device to Device Skew LH/HL Transitions	2.0	5.0	ns
<p><b>Note 12:</b> This specification is guaranteed but not tested. The limits apply to propagation delays for all paths described switching in phase (i.e., all LOW-to-HIGH, HIGH-to-LOW, etc.)</p> <p><b>Note 13:</b> These specifications guaranteed but not tested. The limits represent propagation delays with 250 pF load capacitors in place of the 50 pF load capacitors in the standard AC load.</p> <p><b>Note 14:</b> Skew is defined as the absolute value of the difference between the actual propagation delays for any two separate outputs of the same device. The specification applies to any outputs switching HIGH-to-LOW (<math>t_{OSHL}</math>), LOW-to-HIGH (<math>t_{OSLH}</math>), or any combination switching LOW-to-HIGH and/or HIGH-to-LOW (<math>t_{OST}</math>). The specification is guaranteed but not tested.</p> <p><b>Note 15:</b> This describes the difference between the delay of the LOW-to-HIGH and the HIGH-to-LOW transition on the same pin. It is measured across all the outputs (drivers) on the same chip, the worst (largest delta) number is the guaranteed specification. This specification is guaranteed but not tested.</p> <p><b>Note 16:</b> Propagation delay variation for a given set of conditions (i.e., temperature and <math>V_{CC}</math>) from device to device. This specification is guaranteed but not tested.</p>				
<b>Capacitance</b>				
Symbol	Parameter	Typ	Units	Conditions $T_A = 25^\circ\text{C}$
$C_{IN}$	Input Capacitance	5.0	pF	$V_{CC} = 0\text{V}$
$C_{OUT}$ (Note 17)	Output Capacitance	9.0	pF	$V_{CC} = 5.0\text{V}$
<p><b>Note 17:</b> <math>C_{OUT}</math> is measured at frequency <math>f = 1\text{ MHz}</math>; per MIL-STD-883, Method 3012.</p>				

### AC Loading



\*Includes jig and probe capacitance.

FIGURE 1. Standard AC Test Load

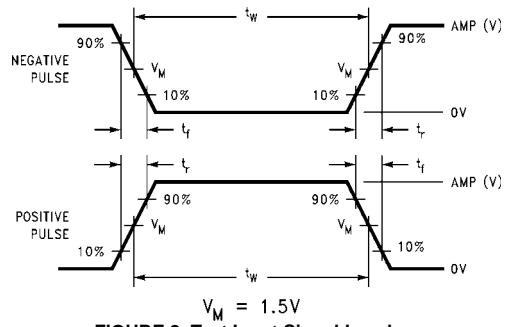


FIGURE 2. Test Input Signal Levels

Amplitude	Rep. Rate	$t_w$	$t_r$	$t_f$
3.0V	1 MHz	500 ns	2.5 ns	2.5 ns

FIGURE 3. Test Input Signal Requirements

### AC Waveforms

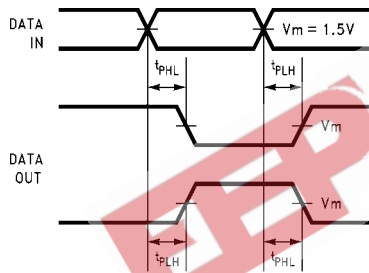


FIGURE 4. Propagation Delay Waveforms for Inverting and Non-Inverting Functions

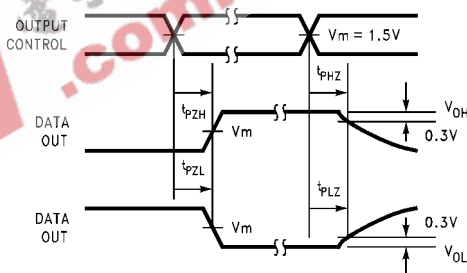


FIGURE 6. 3-STATE Output HIGH and LOW Enable and Disable Times

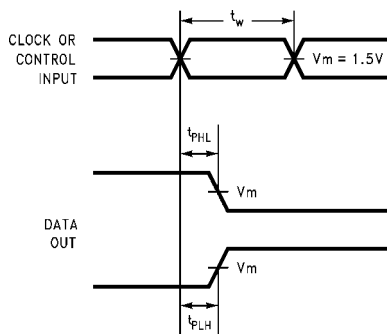


FIGURE 5. Propagation Delay, Pulse Width Waveforms

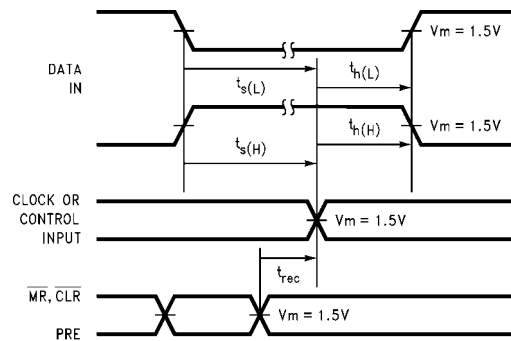
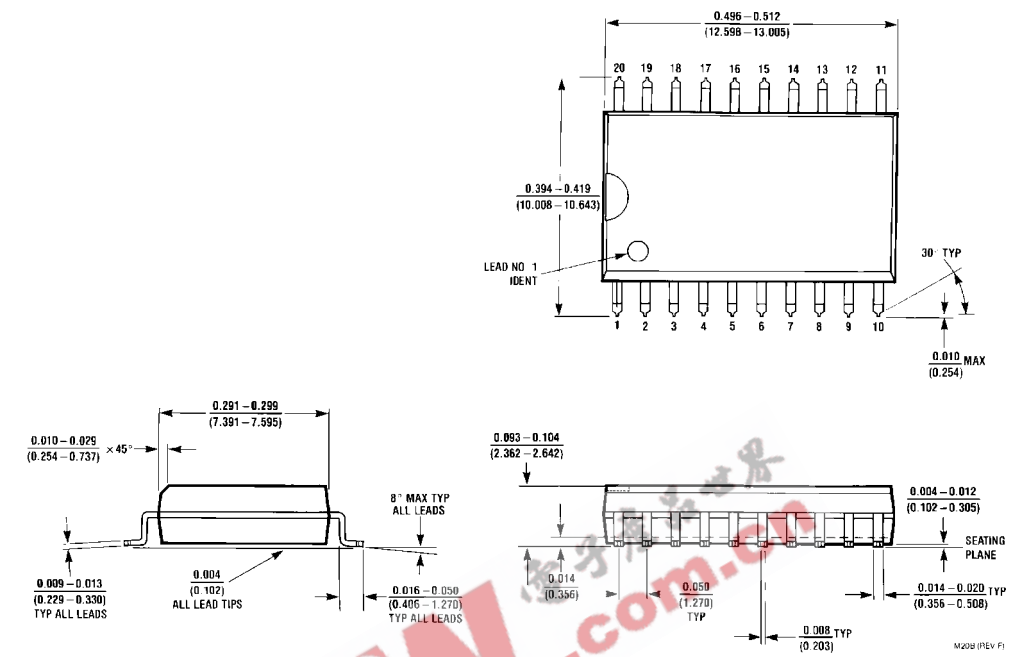


FIGURE 7. Setup Time, Hold Time and Recovery Time Waveforms

**Physical Dimensions** inches (millimeters) unless otherwise noted



**20-Lead Small Outline Integrated Circuit (SOIC), JEDEC MS-013, 0.300 Wide Body  
Package Number M20B**

**Physical Dimensions** inches (millimeters) unless otherwise noted (Continued)



**LAND PATTERN RECOMMENDATION**



DIMENSIONS ARE IN MILLIMETERS

**NOTES:**

- A. CONFORMS TO EIAJ EDR-7320 REGISTRATION, ESTABLISHED IN DECEMBER, 1998.
- B. DIMENSIONS ARE IN MILLIMETERS.
- C. DIMENSIONS ARE EXCLUSIVE OF BURRS, MOLD FLASH, AND TIE BAR EXTRUSIONS.

M20DRevB1

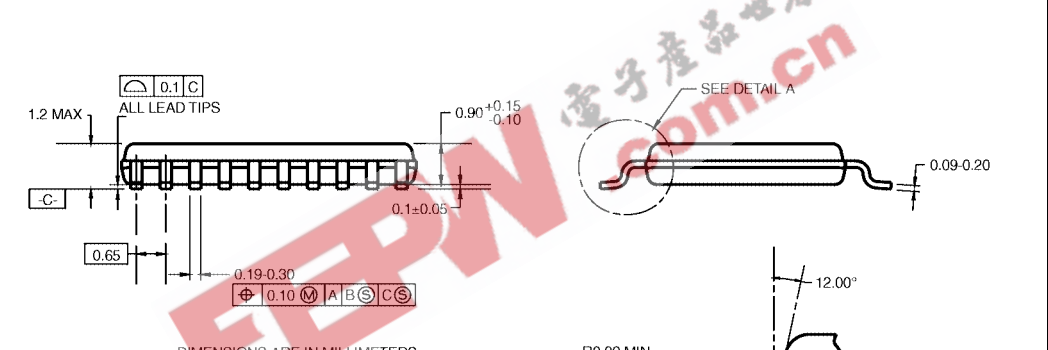
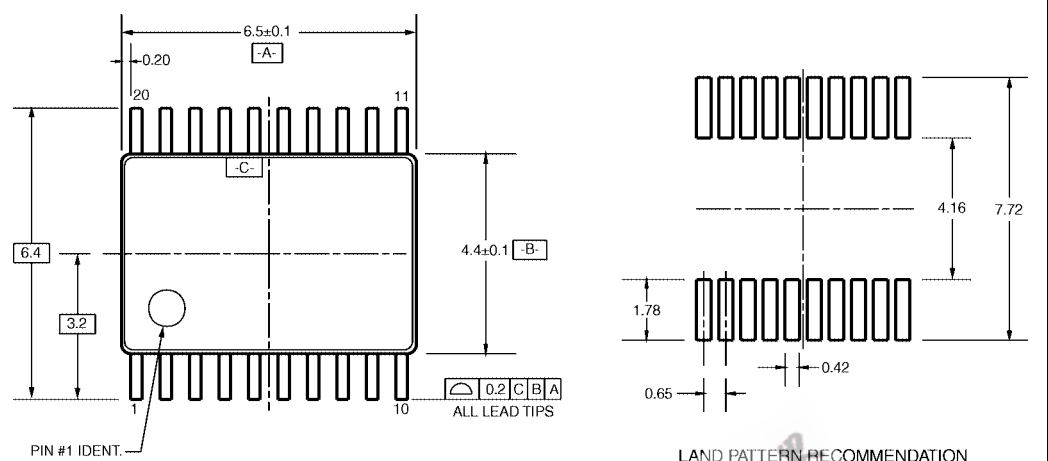
**DETAIL A**

**20-Lead Small Outline Package (SOP), EIAJ TYPE II, 5.3mm Wide Package Number M20D**





**Physical Dimensions** inches (millimeters) unless otherwise noted (Continued)



DIMENSIONS ARE IN MILLIMETERS

NOTES:  
 A. CONFORMS TO JEDEC REGISTRATION MO-153, VARIATION AC, REF NOTE 6, DATE 7/93.  
 B. DIMENSIONS ARE IN MILLIMETERS.  
 C. DIMENSIONS ARE EXCLUSIVE OF BURRS, MOLD FLASH, AND TIE BAR EXTRUSIONS.  
 D. DIMENSIONS AND TOLERANCES PER ANSI Y14.5M, 1982.

MTC20RevD1

**20-Lead Thin Shrink Small Outline Package (TSSOP), JEDEC MO-153, 4.4mm Wide Package Number MTC20**

Fairchild does not assume any responsibility for use of any circuitry described, no circuit patent licenses are implied and Fairchild reserves the right at any time without notice to change said circuitry and specifications.

**LIFE SUPPORT POLICY**

FAIRCHILD'S PRODUCTS ARE NOT AUTHORIZED FOR USE AS CRITICAL COMPONENTS IN LIFE SUPPORT DEVICES OR SYSTEMS WITHOUT THE EXPRESS WRITTEN APPROVAL OF THE PRESIDENT OF FAIRCHILD SEMICONDUCTOR CORPORATION. As used herein:

1. Life support devices or systems are devices or systems which, (a) are intended for surgical implant into the body, or (b) support or sustain life, and (c) whose failure to perform when properly used in accordance with instructions for use provided in the labeling, can be reasonably expected to result in a significant injury to the user.
2. A critical component in any component of a life support device or system whose failure to perform can be reasonably expected to cause the failure of the life support device or system, or to affect its safety or effectiveness.

[www.fairchildsemi.com](http://www.fairchildsemi.com)