

DATA SHEET

EEPW 电子产品世界
.com.cn

74AHC1G14; 74AHCT1G14 Inverting Schmitt trigger

Product specification
Supersedes data of 2002 Feb 18

2002 Jun 06

Inverting Schmitt trigger

74AHC1G14; 74AHCT1G14

FEATURES

- Symmetrical output impedance
- High noise immunity
- ESD protection:
 - HBM EIA/JESD22-A114-A exceeds 2000 V
 - MM EIA/JESD22-A115-A exceeds 200 V
 - CDM EIA/JESD22-C101 exceeds 1000 V.
- Low power dissipation
- Balanced propagation delays
- Very small 5 pin package
- Output capability: standard
- Specified from -40 to $+125$ °C.

APPLICATIONS

- Wave and pulse shapers
- Astable multivibrators
- Monostable multivibrators.

DESCRIPTION

The 74AHC1G/AHCT1G14 is a high-speed Si-gate CMOS device.

The 74AHC1G/AHCT1G14 provides the inverting buffer function with Schmitt-trigger action. These devices are capable of transforming slowly changing input signals into sharply defined, jitter-free output signals.

QUICK REFERENCE DATA

GND = 0 V; $T_{amb} = 25$ °C; $t_r = t_f \leq 3.0$ ns.

| SYMBOL | PARAMETER | CONDITIONS | TYPICAL | | UNIT |
|-------------------|-------------------------------|---|---------|--------|------|
| | | | AHC1G | AHCT1G | |
| t_{PHL}/t_{PLH} | propagation delay A to Y | $C_L = 15$ pF; $V_{CC} = 5$ V | 3.2 | 4.1 | ns |
| C_I | input capacitance | | 1.5 | 1.5 | pF |
| C_{PD} | power dissipation capacitance | $C_L = 15$ pF; $f = 1$ MHz; notes 1 and 2 | 12 | 13 | pF |

Notes

1. C_{PD} is used to determine the dynamic power dissipation (P_D in μ W).

$$P_D = C_{PD} \times V_{CC}^2 \times f_i + (C_L \times V_{CC}^2 \times f_o) \text{ where:}$$

f_i = input frequency in MHz;

f_o = output frequency in MHz;

C_L = output load capacitance in pF;

V_{CC} = supply voltage in Volts.

2. The condition is $V_I = \text{GND to } V_{CC}$.

FUNCTION TABLE

See note 1.

| INPUT | OUTPUT |
|-------|--------|
| A | Y |
| L | H |
| H | L |

Note

1. H = HIGH voltage level;
L = LOW voltage level.

Inverting Schmitt trigger

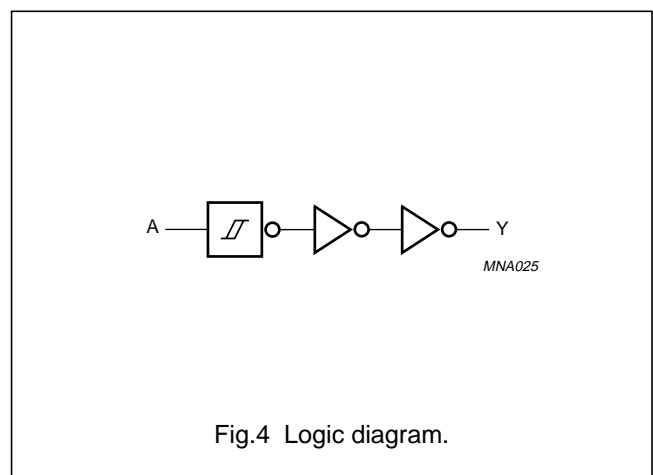
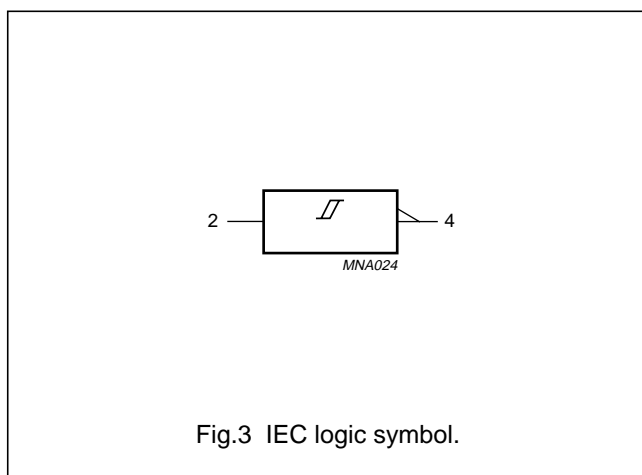
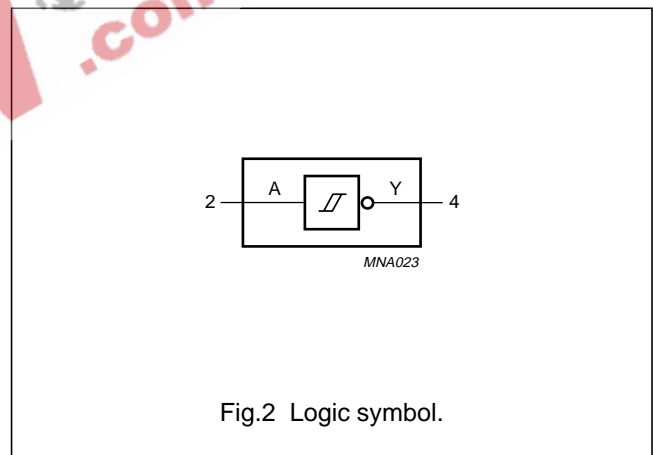
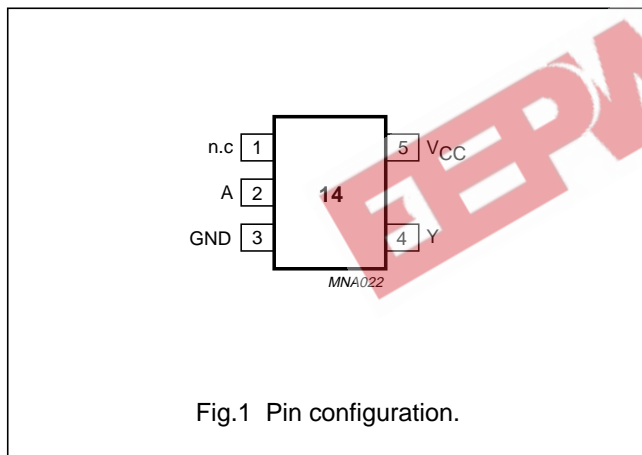
74AHC1G14; 74AHCT1G14

ORDERING INFORMATION

| TYPE NUMBER | PACKAGES | | | | | |
|--------------|-------------------|------|---------|----------|--------|---------|
| | TEMPERATURE RANGE | PINS | PACKAGE | MATERIAL | CODE | MARKING |
| 74AHC1G14GW | -40 to +125 °C | 5 | SC-88A | plastic | SOT353 | AF |
| 74AHCT1G14GW | -40 to +125 °C | 5 | SC-88A | plastic | SOT353 | CF |
| 74AHC1G14GV | -40 to +125 °C | 5 | SC-74A | plastic | SOT753 | A14 |
| 74AHCT1G14GV | -40 to +125 °C | 5 | SC-74A | plastic | SOT753 | C14 |

PINNING

| PIN | SYMBOL | DESCRIPTION |
|-----|-----------------|----------------|
| 1 | n.c. | not connected |
| 2 | A | data input A |
| 3 | GND | ground (0 V) |
| 4 | Y | data output Y |
| 5 | V _{CC} | supply voltage |



Inverting Schmitt trigger

74AHC1G14; 74AHCT1G14

RECOMMENDED OPERATING CONDITIONS

| SYMBOL | PARAMETER | CONDITIONS | 74AHC1G | | | 74AHCT1G | | | UNIT |
|-----------|-------------------------------|--|---------|------|----------|----------|------|----------|------|
| | | | MIN. | TYP. | MAX. | MIN. | TYP. | MAX. | |
| V_{CC} | supply voltage | | 2.0 | 5.0 | 5.5 | 4.5 | 5.0 | 5.5 | V |
| V_I | input voltage | | 0 | – | 5.5 | 0 | – | 5.5 | V |
| V_O | output voltage | | 0 | – | V_{CC} | 0 | – | V_{CC} | V |
| T_{amb} | operating ambient temperature | see DC and AC characteristics per device | –40 | +25 | +125 | –40 | +25 | +125 | °C |

LIMITING VALUES

In accordance with the Absolute Maximum Rating System (IEC 60134); voltages are referenced to GND (ground = 0 V).

| SYMBOL | PARAMETER | CONDITIONS | MIN. | MAX. | UNIT |
|-----------|-------------------------------|--|------|------|------|
| V_{CC} | supply voltage | | –0.5 | +7.0 | V |
| V_I | input voltage | | –0.5 | +7.0 | V |
| I_{IK} | input diode current | $V_I < -0.5$ V | – | –20 | mA |
| I_{OK} | output diode current | $V_O < -0.5$ V or $V_O > V_{CC} + 0.5$ V; note 1 | – | ±20 | mA |
| I_O | output source or sink current | -0.5 V < V_O < $V_{CC} + 0.5$ V | – | ±25 | mA |
| I_{CC} | V_{CC} or GND current | | – | ±75 | mA |
| T_{stg} | storage temperature | | –65 | +150 | °C |
| P_D | power dissipation per package | for temperature range from –40 to +125 °C | – | 250 | mW |

Note

1. The input and output voltage ratings may be exceeded if the input and output current ratings are observed.

Inverting Schmitt trigger

74AHC1G14; 74AHCT1G14

DC CHARACTERISTICS

Family 74AHC1G

At recommended operating conditions; voltages are referenced to GND (ground = 0 V).

| SYMBOL | PARAMETER | TEST CONDITIONS | | T _{amb} (°C) | | | | | | UNIT | |
|-----------------|---------------------------|---|---------------------|-----------------------|------|------|------------|------|-------------|------|------|
| | | OTHER | V _{CC} (V) | 25 | | | -40 to +85 | | -40 to +125 | | |
| | | | | MIN. | TYP. | MAX. | MIN. | MAX. | MIN. | | MAX. |
| V _{OH} | HIGH-level output voltage | V _I = V _{IH} or V _{IL} ; I _O = -50 μA | 2.0 | 1.9 | 2.0 | - | 1.9 | - | 1.9 | - | V |
| | | V _I = V _{IH} or V _{IL} ; I _O = -50 μA | 3.0 | 2.9 | 3.0 | - | 2.9 | - | 2.9 | - | V |
| | | V _I = V _{IH} or V _{IL} ; I _O = -50 μA | 4.5 | 4.4 | 4.5 | - | 4.4 | - | 4.4 | - | V |
| | | V _I = V _{IH} or V _{IL} ; I _O = -4.0 mA | 3.0 | 2.58 | - | - | 2.48 | - | 2.40 | - | V |
| | | V _I = V _{IH} or V _{IL} ; I _O = -8.0 mA | 4.5 | 3.94 | - | - | 3.8 | - | 3.70 | - | V |
| V _{OL} | LOW-level output voltage | V _I = V _{IH} or V _{IL} ; I _O = 50 μA | 2.0 | - | 0 | 0.1 | - | 0.1 | - | 0.1 | V |
| | | V _I = V _{IH} or V _{IL} ; I _O = 50 μA | 3.0 | - | 0 | 0.1 | - | 0.1 | - | 0.1 | V |
| | | V _I = V _{IH} or V _{IL} ; I _O = 50 μA | 4.5 | - | 0 | 0.1 | - | 0.1 | - | 0.1 | V |
| | | V _I = V _{IH} or V _{IL} ; I _O = 4.0 mA | 3.0 | - | - | 0.36 | - | 0.44 | - | 0.55 | V |
| | | V _I = V _{IH} or V _{IL} ; I _O = 8.0 mA | 4.5 | - | - | 0.36 | - | 0.44 | - | 0.55 | V |
| I _{LI} | input leakage current | V _I = V _{CC} or GND | 5.5 | - | - | 0.1 | - | 1.0 | - | 2.0 | μA |
| I _{CC} | quiescent supply current | V _I = V _{CC} or GND; I _O = 0 | 5.5 | - | - | 1.0 | - | 10 | - | 40 | μA |
| C _I | input capacitance | | | - | 1.5 | 10 | - | 10 | - | 10 | pF |

Inverting Schmitt trigger

74AHC1G14; 74AHCT1G14

Family 74AHCT1G

At recommended operating conditions; voltages are referenced to GND (ground = 0 V).

| SYMBOL | PARAMETER | TEST CONDITIONS | | T _{amb} (°C) | | | | | | UNIT | |
|------------------|---|--|---------------------|-----------------------|------|------|------------|------|-------------|------|------|
| | | OTHER | V _{CC} (V) | 25 | | | -40 to +85 | | -40 to +125 | | |
| | | | | MIN. | TYP. | MAX. | MIN. | MAX. | MIN. | | MAX. |
| V _{OH} | HIGH-level output voltage | V _I = V _{IH} or V _{IL} ; I _O = -50 μA | 4.5 | 4.4 | 4.5 | – | 4.4 | – | 4.4 | – | V |
| | | V _I = V _{IH} or V _{IL} ; I _O = -8.0 mA | 4.5 | 3.94 | – | – | 3.8 | – | 3.70 | – | V |
| V _{OL} | LOW-level output voltage | V _I = V _{IH} or V _{IL} ; I _O = 50 μA | 4.5 | – | 0 | 0.1 | – | 0.1 | – | 0.1 | V |
| | | V _I = V _{IH} or V _{IL} ; I _O = 8.0 mA | 4.5 | – | – | 0.36 | – | 0.44 | – | 0.55 | V |
| I _{LI} | input leakage current | V _I = V _{IH} or V _{IL} | 5.5 | – | – | 0.1 | – | 1.0 | – | 2.0 | μA |
| I _{CC} | quiescent supply current | V _I = V _{CC} or GND; I _O = 0 | 5.5 | – | – | 1.0 | – | 10 | – | 40 | μA |
| ΔI _{CC} | additional quiescent supply current per input pin | V _I = 3.4 V; other inputs at V _{CC} or GND; I _O = 0 | 5.5 | – | – | 1.35 | – | 1.5 | – | 1.5 | mA |
| C _I | input capacitance | | | – | 1.5 | 10 | – | 10 | – | 10 | pF |

Inverting Schmitt trigger

74AHC1G14; 74AHCT1G14

TRANSFER CHARACTERISTICS

Type 74AHC1G14

At recommended operating conditions; voltages are referenced to GND (ground = 0 V).

| SYMBOL | PARAMETER | TEST CONDITIONS | | T _{amb} (°C) | | | | | | UNIT | |
|-----------------|---|------------------|---------------------|-----------------------|------|------|------------|------|-------------|------|------|
| | | OTHER | V _{CC} (V) | 25 | | | -40 to +85 | | -40 to +125 | | |
| | | | | MIN. | TYP. | MAX. | MIN. | MAX. | MIN. | | MAX. |
| V _{T+} | positive-going threshold | see Figs 7 and 8 | 3.0 | – | – | 2.2 | – | 2.2 | – | 2.2 | V |
| | | | 4.5 | – | – | 3.15 | – | 3.15 | – | 3.15 | V |
| | | | 5.5 | – | – | 3.85 | – | 3.85 | – | 3.85 | V |
| V _{T-} | negative-going threshold | see Figs 7 and 8 | 3.0 | 0.9 | – | – | 0.9 | – | 0.9 | – | V |
| | | | 4.5 | 1.35 | – | – | 1.35 | – | 1.35 | – | V |
| | | | 5.5 | 1.65 | – | – | 1.65 | – | 1.65 | – | V |
| V _H | hysteresis (V _{T+} – V _{T-}) | see Figs 7 and 8 | 3.0 | 0.3 | – | 1.2 | 0.3 | 1.2 | 0.25 | 1.2 | V |
| | | | 4.5 | 0.4 | – | 1.4 | 0.4 | 1.4 | 0.35 | 1.4 | V |
| | | | 5.5 | 0.5 | – | 1.6 | 0.5 | 1.6 | 0.45 | 1.6 | V |

Type 74AHCT1G14

At recommended operating conditions; voltages are referenced to GND (ground = 0 V).

| SYMBOL | PARAMETER | TEST CONDITIONS | | T _{amb} (°C) | | | | | | UNIT | |
|-----------------|---|------------------|---------------------|-----------------------|------|------|------------|------|-------------|------|------|
| | | WAVEFORMS | V _{CC} (V) | 25 | | | -40 to +85 | | -40 to +125 | | |
| | | | | MIN. | TYP. | MAX. | MIN. | MAX. | MIN. | | MAX. |
| V _{T+} | positive-going threshold | see Figs 7 and 8 | 4.5 | – | – | 2.0 | – | 2.0 | – | 2.0 | V |
| | | | 5.5 | – | – | 2.0 | – | 2.0 | – | 2.0 | V |
| V _{T-} | negative-going threshold | see Figs 7 and 8 | 4.5 | 0.5 | – | – | 0.5 | – | 0.5 | – | V |
| | | | 5.5 | 0.6 | – | – | 0.6 | – | 0.6 | – | V |
| V _H | hysteresis (V _{T+} – V _{T-}) | see Figs 7 and 8 | 4.5 | 0.4 | – | 1.4 | 0.4 | 1.4 | 0.35 | 1.4 | V |
| | | | 5.5 | 0.4 | – | 1.6 | 0.4 | 1.6 | 0.35 | 1.6 | V |

Inverting Schmitt trigger

74AHC1G14; 74AHCT1G14

AC CHARACTERISTICS

Type 74AHC1G14

GND = 0 V; $t_r = t_f \leq 3.0$ ns.

| SYMBOL | PARAMETER | TEST CONDITIONS | | T _{amb} (°C) | | | | | | UNIT | |
|---|-----------------------------|------------------|------------------------|-----------------------|------|------|------------|------|-------------|------|------|
| | | WAVEFORMS | C _L (pF) | 25 | | | -40 to +85 | | -40 to +125 | | |
| | | | | MIN. | TYP. | MAX. | MIN. | MAX. | MIN. | | MAX. |
| V_{CC} = 3.0 to 3.6V ; note 1 | | | | | | | | | | | |
| t _{PHL} /t _{PLH} | propagation delay A to Y | see Figs 5 and 6 | 15 | – | 4.2 | 12.8 | 1.0 | 15.0 | 1.0 | 16.5 | ns |
| | | | 50 | – | 6.0 | 16.3 | 1.0 | 18.5 | 1.0 | 20.5 | ns |
| V_{CC} = 4.5 to 5.5 V ; note 2 | | | | | | | | | | | |
| t _{PHL} /t _{PLH} | propagation delay A to Y | see Figs 5 and 6 | 15 | – | 3.2 | 8.6 | 1.0 | 10.0 | 1.0 | 11.0 | ns |
| | | | 50 | – | 4.6 | 10.6 | 1.0 | 12.0 | 1.0 | 13.5 | ns |

Notes

1. Typical values are measured at V_{CC} = 3.3 V.
2. Typical values are measured at V_{CC} = 5.0 V.

Type 74AHCT1G14

GND = 0 V; $t_r = t_f \leq 3.0$ ns.

| SYMBOL | PARAMETER | TEST CONDITIONS | | T _{amb} (°C) | | | | | | UNIT | |
|---|-----------------------------|------------------|------------------------|-----------------------|------|------|------------|------|-------------|------|------|
| | | WAVEFORMS | C _L (pF) | 25 | | | -40 to +85 | | -40 to +125 | | |
| | | | | MIN. | TYP. | MAX. | MIN. | MAX. | MIN. | | MAX. |
| V_{CC} = 4.5 to 5.5 V ; note 1 | | | | | | | | | | | |
| t _{PHL} /t _{PLH} | propagation delay A to Y | see Figs 5 and 6 | 15 | – | 4.1 | 7.0 | 1.0 | 8.0 | 1.0 | 9.0 | ns |
| | | | 50 | – | 5.9 | 8.5 | 1.0 | 10.0 | 1.0 | 11.0 | ns |

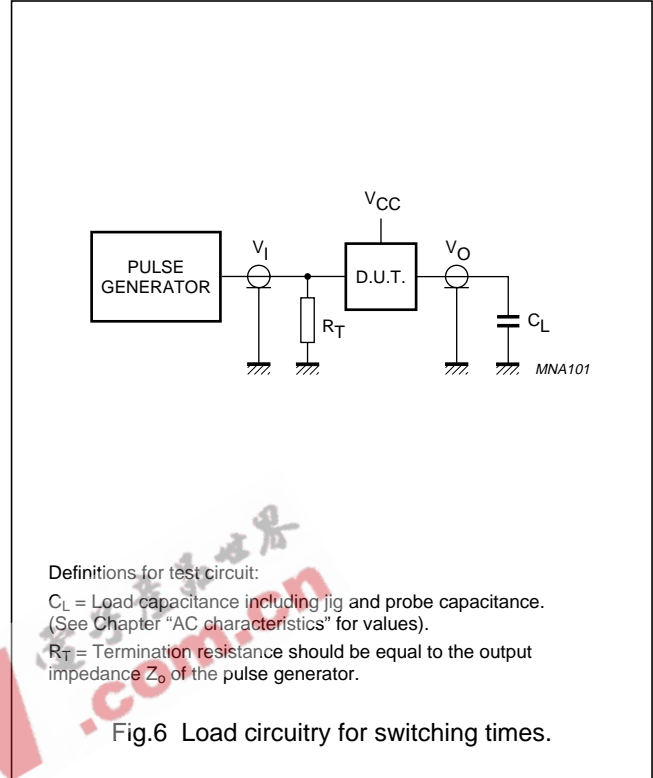
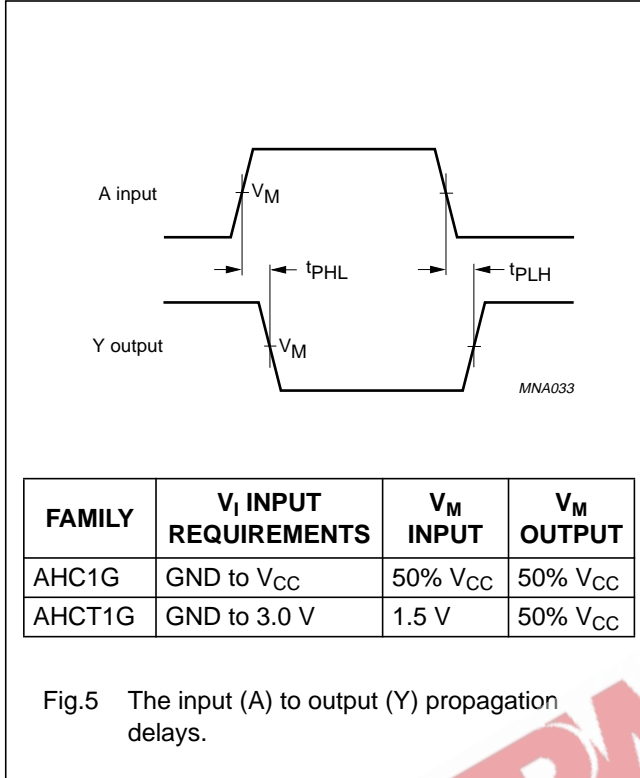
Note

1. Typical values are measured at V_{CC} = 5 V.

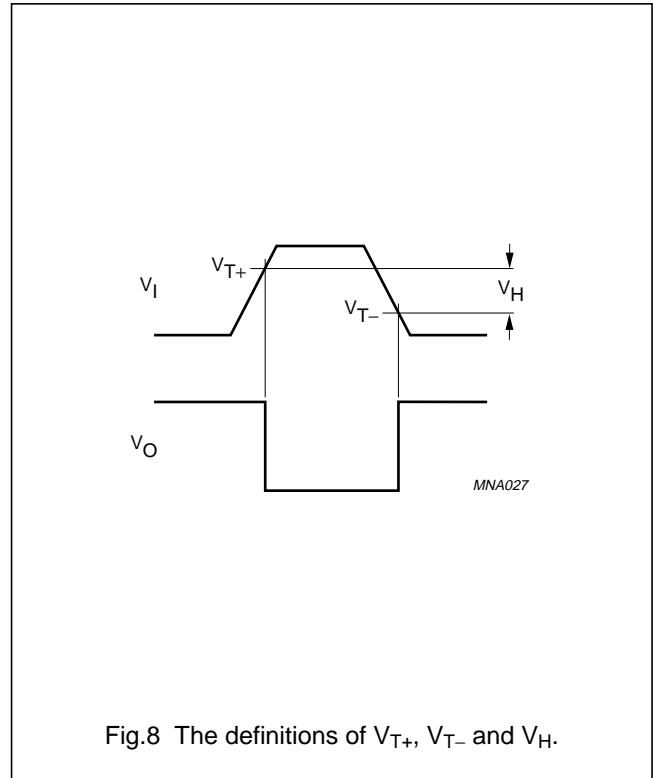
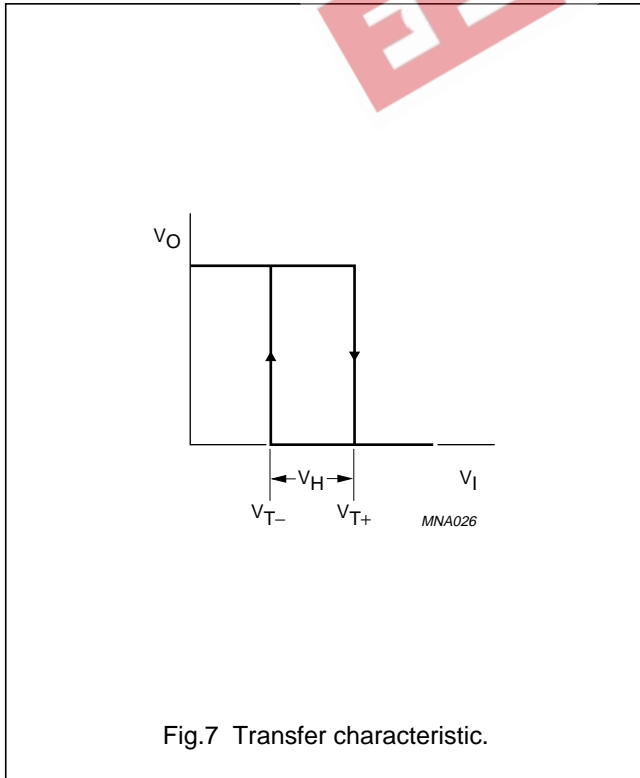
Inverting Schmitt trigger

74AHC1G14; 74AHCT1G14

AC WAVEFORMS

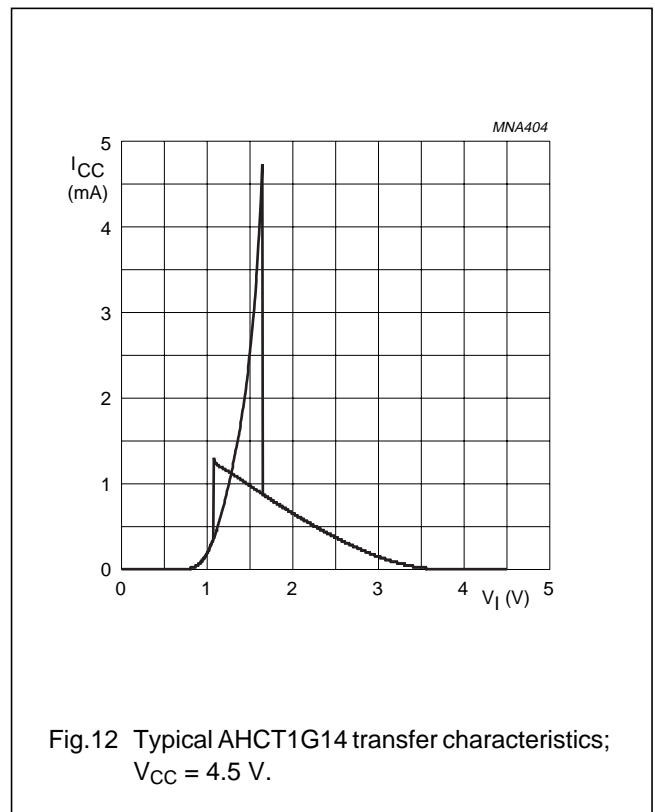
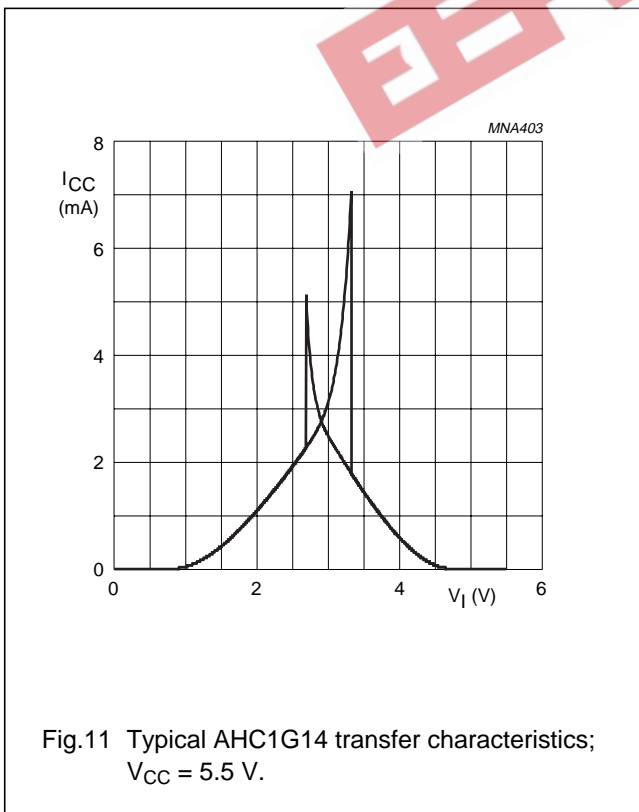
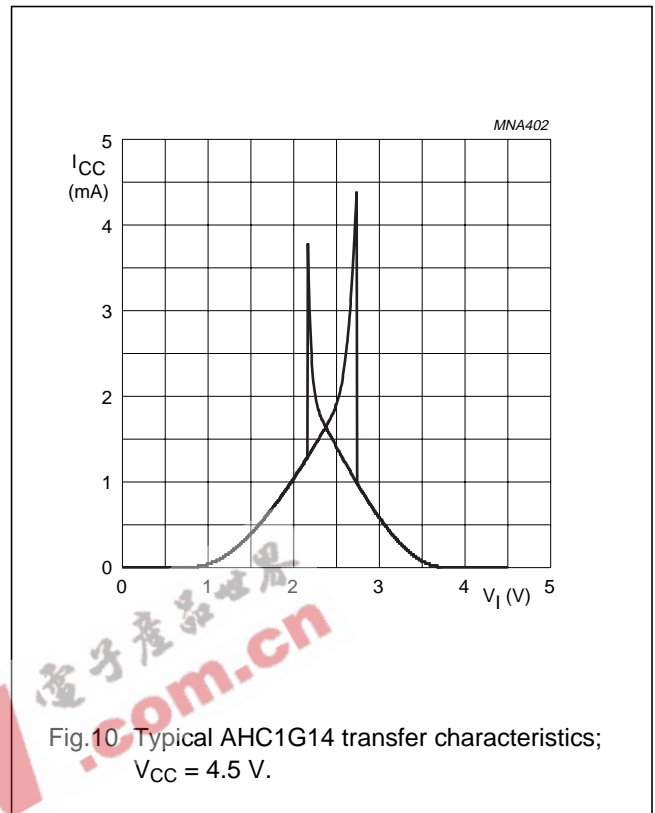
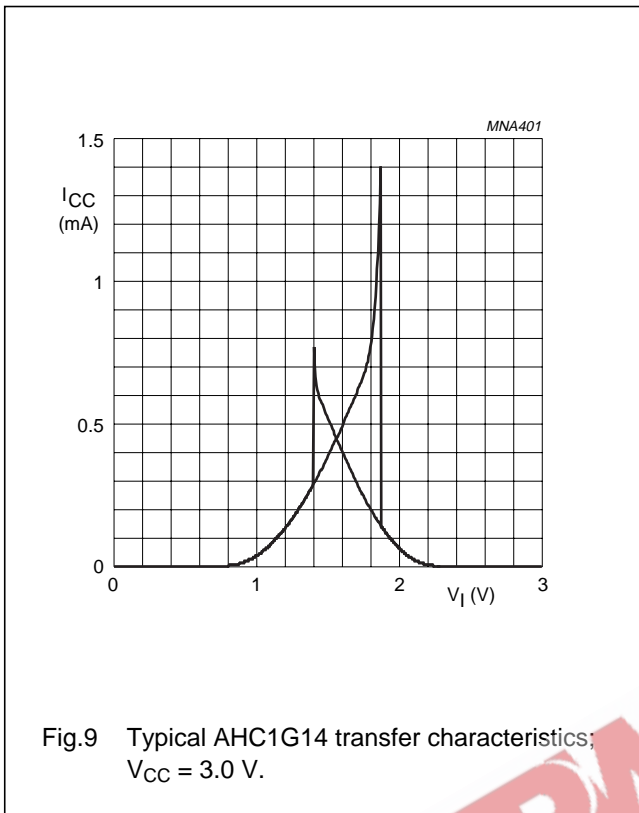


TRANSFER CHARACTERISTIC WAVEFORMS



Inverting Schmitt trigger

74AHC1G14; 74AHCT1G14



Inverting Schmitt trigger

74AHC1G14; 74AHCT1G14

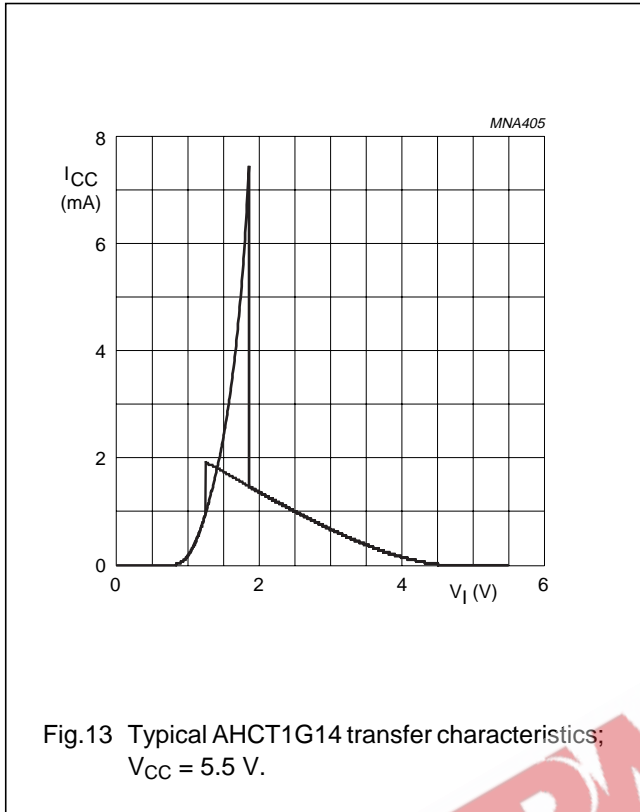


Fig.13 Typical AHCT1G14 transfer characteristics; $V_{CC} = 5.5$ V.

APPLICATION INFORMATION

The slow input rise and fall times cause additional power dissipation, this can be calculated using the following formula:

$$P_{ad} = f_i \times (t_r \times I_{CC(AV)} + t_f \times I_{CC(AV)}) \times V_{CC}$$

where:

P_{ad} = additional power dissipation (μ W);

f_i = input frequency (MHz);

t_r = input rise time (ns); 10% to 90%;

t_f = input fall time (ns); 90% to 10%;

$I_{CC(AV)}$ = average additional supply current (μ A).

Average I_{CC} differs with positive or negative input transitions, as shown in Figs 14 and 15.

For AHC1G/AHCT1G14 used in relaxation oscillator circuit, see Fig.16.

Note to the application information:

1. All values given are typical unless otherwise specified.

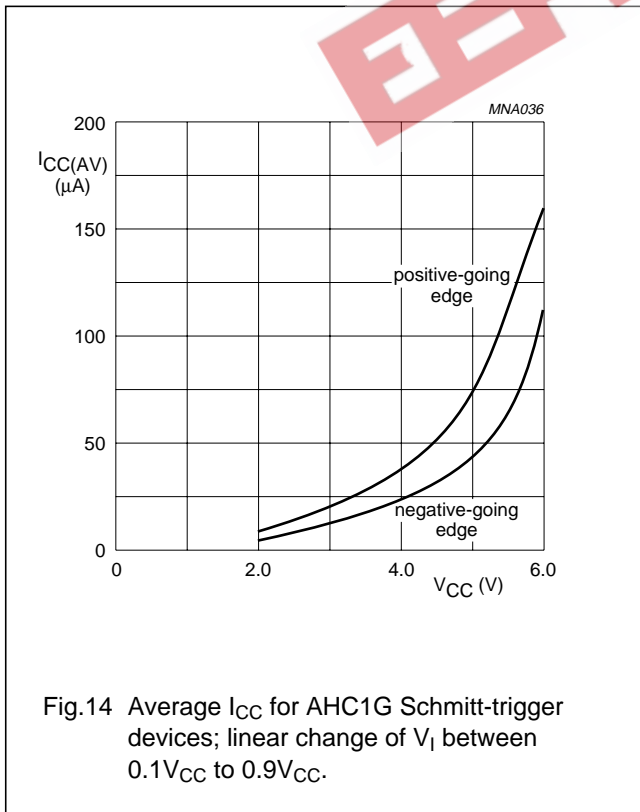


Fig.14 Average I_{CC} for AHC1G Schmitt-trigger devices; linear change of V_I between $0.1V_{CC}$ to $0.9V_{CC}$.

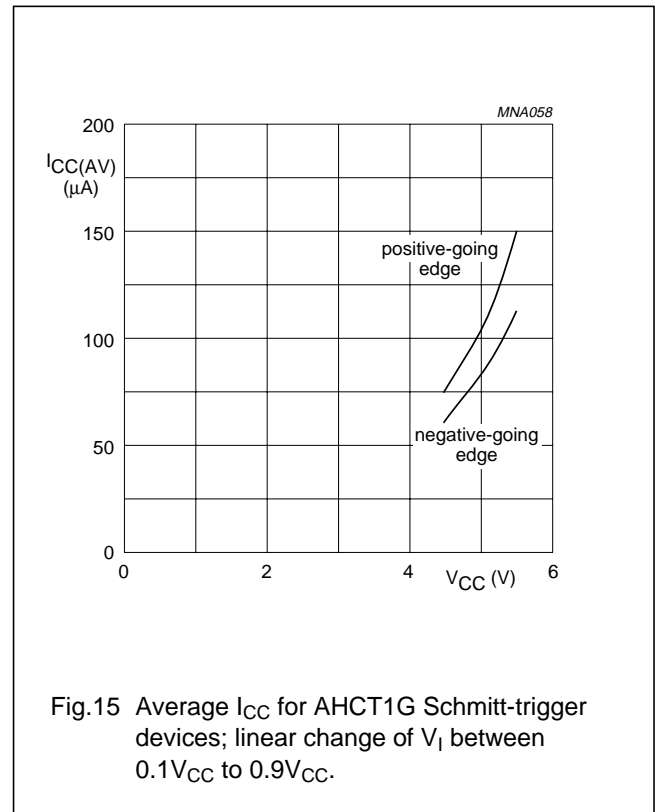
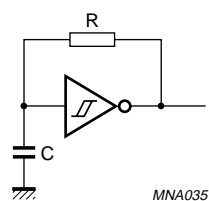


Fig.15 Average I_{CC} for AHCT1G Schmitt-trigger devices; linear change of V_I between $0.1V_{CC}$ to $0.9V_{CC}$.

Inverting Schmitt trigger

74AHC1G14; 74AHCT1G14



For AHC1G: $f = \frac{1}{T} \approx \frac{1}{0.55 \times RC}$

For AHCT1G: $f = \frac{1}{T} \approx \frac{1}{0.60 \times RC}$

Fig.16 Relaxation oscillator using the AHC1G/AHCT1G14.

EEPW.com.cn 电子产品世界

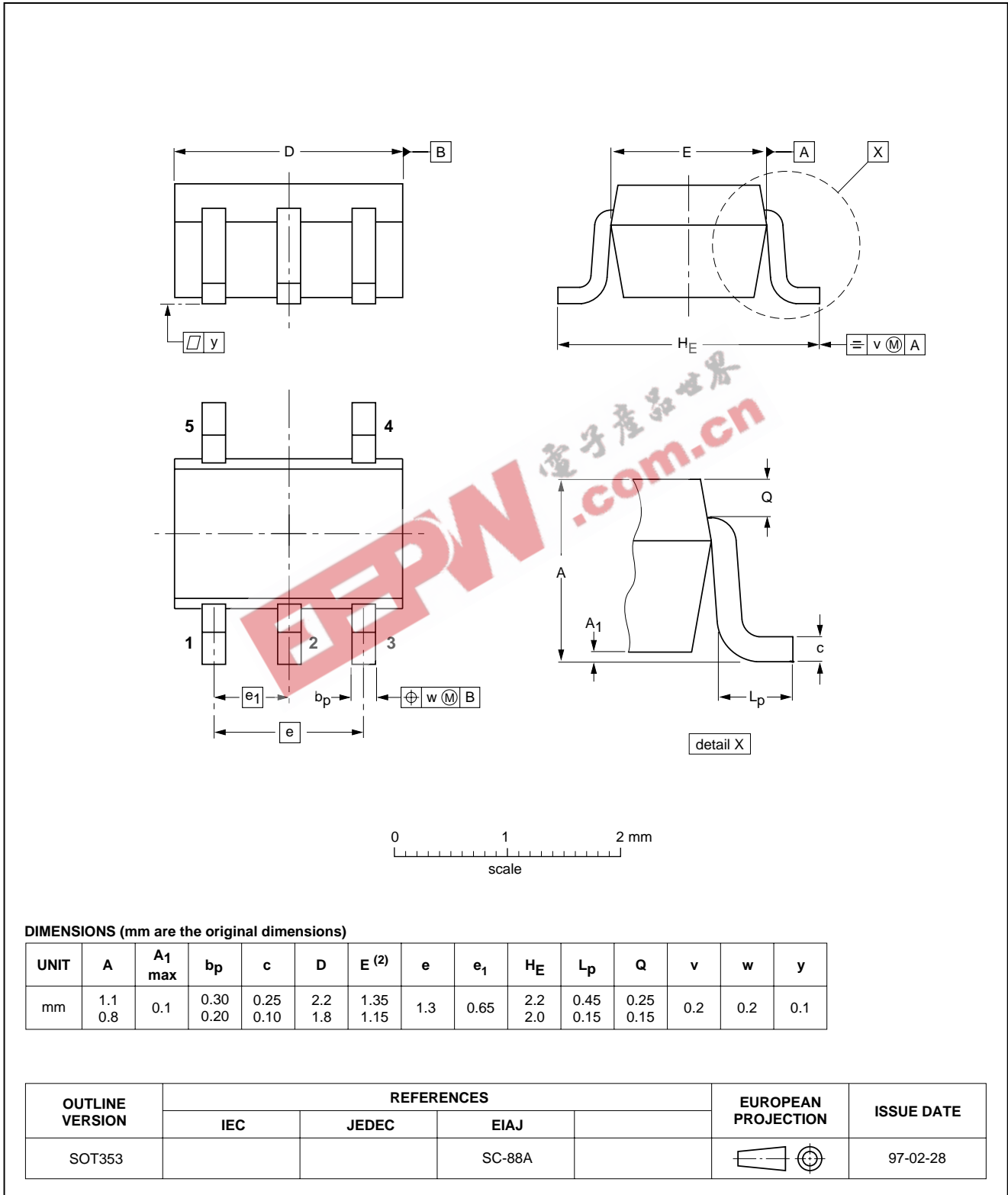
Inverting Schmitt trigger

74AHC1G14; 74AHCT1G14

PACKAGE OUTLINES

Plastic surface mounted package; 5 leads

SOT353

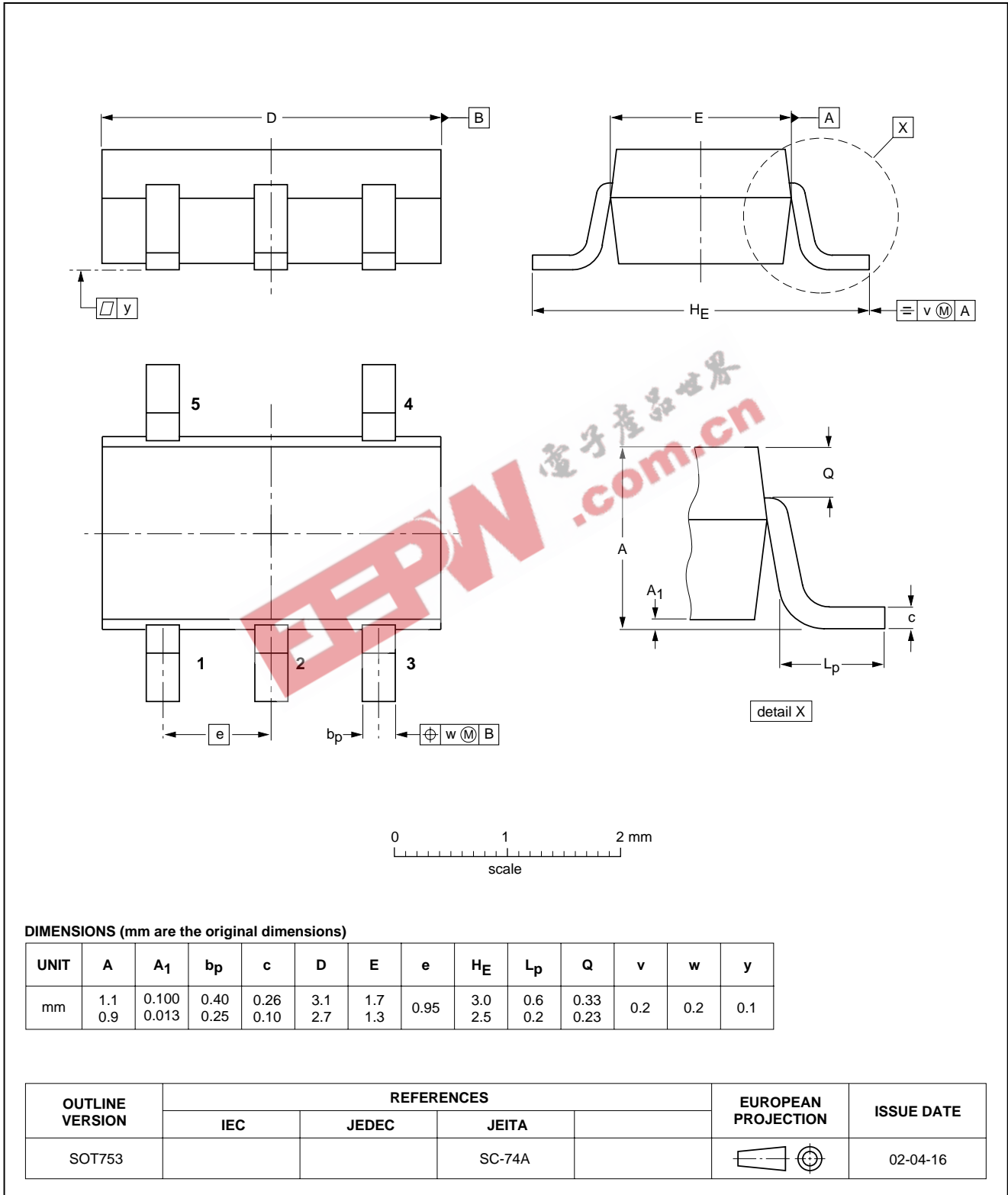


Inverting Schmitt trigger

74AHC1G14; 74AHCT1G14

Plastic surface mounted package; 5 leads

SOT753



Inverting Schmitt trigger

74AHC1G14; 74AHCT1G14

SOLDERING

Introduction to soldering surface mount packages

This text gives a very brief insight to a complex technology. A more in-depth account of soldering ICs can be found in our *"Data Handbook IC26; Integrated Circuit Packages"* (document order number 9398 652 90011).

There is no soldering method that is ideal for all surface mount IC packages. Wave soldering can still be used for certain surface mount ICs, but it is not suitable for fine pitch SMDs. In these situations reflow soldering is recommended.

Reflow soldering

Reflow soldering requires solder paste (a suspension of fine solder particles, flux and binding agent) to be applied to the printed-circuit board by screen printing, stencilling or pressure-syringe dispensing before package placement.

Several methods exist for reflowing; for example, convection or convection/infrared heating in a conveyor type oven. Throughput times (preheating, soldering and cooling) vary between 100 and 200 seconds depending on heating method.

Typical reflow peak temperatures range from 215 to 250 °C. The top-surface temperature of the packages should preferably be kept below 220 °C for thick/large packages, and below 235 °C for small/thin packages.

Wave soldering

Conventional single wave soldering is not recommended for surface mount devices (SMDs) or printed-circuit boards with a high component density, as solder bridging and non-wetting can present major problems.

To overcome these problems the double-wave soldering method was specifically developed.

If wave soldering is used the following conditions must be observed for optimal results:

- Use a double-wave soldering method comprising a turbulent wave with high upward pressure followed by a smooth laminar wave.
- For packages with leads on two sides and a pitch (e):
 - larger than or equal to 1.27 mm, the footprint longitudinal axis is **preferred** to be parallel to the transport direction of the printed-circuit board;
 - smaller than 1.27 mm, the footprint longitudinal axis **must** be parallel to the transport direction of the printed-circuit board.

The footprint must incorporate solder thieves at the downstream end.

- For packages with leads on four sides, the footprint must be placed at a 45° angle to the transport direction of the printed-circuit board. The footprint must incorporate solder thieves downstream and at the side corners.

During placement and before soldering, the package must be fixed with a droplet of adhesive. The adhesive can be applied by screen printing, pin transfer or syringe dispensing. The package can be soldered after the adhesive is cured.

Typical dwell time is 4 seconds at 250 °C.

A mildly-activated flux will eliminate the need for removal of corrosive residues in most applications.

Manual soldering

Fix the component by first soldering two diagonally-opposite end leads. Use a low voltage (24 V or less) soldering iron applied to the flat part of the lead. Contact time must be limited to 10 seconds at up to 300 °C.

When using a dedicated tool, all other leads can be soldered in one operation within 2 to 5 seconds between 270 and 320 °C.

Inverting Schmitt trigger

74AHC1G14; 74AHCT1G14

Suitability of surface mount IC packages for wave and reflow soldering methods

| PACKAGE ⁽¹⁾ | SOLDERING METHOD | |
|--|-----------------------------------|-----------------------|
| | WAVE | REFLOW ⁽²⁾ |
| BGA, LBGA, LFBGA, SQFP, TFBGA, VFBGA | not suitable | suitable |
| HBCC, HBGA, HLQFP, HSQFP, HSOP, HTQFP, HTSSOP, HVQFN, HVSON, SMS | not suitable ⁽³⁾ | suitable |
| PLCC ⁽⁴⁾ , SO, SOJ | suitable | suitable |
| LQFP, QFP, TQFP | not recommended ⁽⁴⁾⁽⁵⁾ | suitable |
| SSOP, TSSOP, VSO | not recommended ⁽⁶⁾ | suitable |

Notes

1. For more detailed information on the BGA packages refer to the “(LF)BGA Application Note” (AN01026); order a copy from your Philips Semiconductors sales office.
2. All surface mount (SMD) packages are moisture sensitive. Depending upon the moisture content, the maximum temperature (with respect to time) and body size of the package, there is a risk that internal or external package cracks may occur due to vaporization of the moisture in them (the so called popcorn effect). For details, refer to the Drypack information in the “Data Handbook IC26; Integrated Circuit Packages; Section: Packing Methods”.
3. These packages are not suitable for wave soldering. On versions with the heatsink on the bottom side, the solder cannot penetrate between the printed-circuit board and the heatsink. On versions with the heatsink on the top side, the solder might be deposited on the heatsink surface.
4. If wave soldering is considered, then the package must be placed at a 45° angle to the solder wave direction. The package footprint must incorporate solder thieves downstream and at the side corners.
5. Wave soldering is suitable for LQFP, TQFP and QFP packages with a pitch (e) larger than 0.8 mm; it is definitely not suitable for packages with a pitch (e) equal to or smaller than 0.65 mm.
6. Wave soldering is suitable for SSOP and TSSOP packages with a pitch (e) equal to or larger than 0.65 mm; it is definitely not suitable for packages with a pitch (e) equal to or smaller than 0.5 mm.

Inverting Schmitt trigger

74AHC1G14; 74AHCT1G14

DATA SHEET STATUS

| DATA SHEET STATUS ⁽¹⁾ | PRODUCT STATUS ⁽²⁾ | DEFINITIONS |
|----------------------------------|-------------------------------|--|
| Objective data | Development | This data sheet contains data from the objective specification for product development. Philips Semiconductors reserves the right to change the specification in any manner without notice. |
| Preliminary data | Qualification | This data sheet contains data from the preliminary specification. Supplementary data will be published at a later date. Philips Semiconductors reserves the right to change the specification without notice, in order to improve the design and supply the best possible product. |
| Product data | Production | This data sheet contains data from the product specification. Philips Semiconductors reserves the right to make changes at any time in order to improve the design, manufacturing and supply. Changes will be communicated according to the Customer Product/Process Change Notification (CPCN) procedure SNW-SQ-650A. |

Notes

1. Please consult the most recently issued data sheet before initiating or completing a design.
2. The product status of the device(s) described in this data sheet may have changed since this data sheet was published. The latest information is available on the Internet at URL <http://www.semiconductors.philips.com>.

DEFINITIONS

Short-form specification — The data in a short-form specification is extracted from a full data sheet with the same type number and title. For detailed information see the relevant data sheet or data handbook.

Limiting values definition — Limiting values given are in accordance with the Absolute Maximum Rating System (IEC 60134). Stress above one or more of the limiting values may cause permanent damage to the device. These are stress ratings only and operation of the device at these or at any other conditions above those given in the Characteristics sections of the specification is not implied. Exposure to limiting values for extended periods may affect device reliability.

Application information — Applications that are described herein for any of these products are for illustrative purposes only. Philips Semiconductors make no representation or warranty that such applications will be suitable for the specified use without further testing or modification.

DISCLAIMERS

Life support applications — These products are not designed for use in life support appliances, devices, or systems where malfunction of these products can reasonably be expected to result in personal injury. Philips Semiconductors customers using or selling these products for use in such applications do so at their own risk and agree to fully indemnify Philips Semiconductors for any damages resulting from such application.

Right to make changes — Philips Semiconductors reserves the right to make changes, without notice, in the products, including circuits, standard cells, and/or software, described or contained herein in order to improve design and/or performance. Philips Semiconductors assumes no responsibility or liability for the use of any of these products, conveys no licence or title under any patent, copyright, or mask work right to these products, and makes no representations or warranties that these products are free from patent, copyright, or mask work right infringement, unless otherwise specified.

Inverting Schmitt trigger

74AHC1G14; 74AHCT1G14

NOTES

EEPW 电子产品世界
.com.cn

Inverting Schmitt trigger

74AHC1G14; 74AHCT1G14

NOTES



Philips Semiconductors – a worldwide company

Contact information

For additional information please visit <http://www.semiconductors.philips.com>. Fax: +31 40 27 24825
For sales offices addresses send e-mail to: sales.addresses@www.semiconductors.philips.com.

EEPW.com.cn 电子世界

© Koninklijke Philips Electronics N.V. 2002

SCA74

All rights are reserved. Reproduction in whole or in part is prohibited without the prior written consent of the copyright owner.

The information presented in this document does not form part of any quotation or contract, is believed to be accurate and reliable and may be changed without notice. No liability will be accepted by the publisher for any consequence of its use. Publication thereof does not convey nor imply any license under patent- or other industrial or intellectual property rights.

Printed in The Netherlands

613508/04/pp20

Date of release: 2002 Jun 06

Document order number: 9397 750 09708

Let's make things better.

**Philips
Semiconductors**



PHILIPS