
16-Bit Latched Transceivers

Features

- **FCT-E speed at 3.4 ns**
- **Power-off disable outputs permits live insertion**
- **Edge-rate control circuitry for significantly improved noise characteristics**
- **Typical output skew < 250 ps**
- **ESD > 2000V**
- **TSSOP (19.6-mil pitch) and SSOP (25-mil pitch) packages**
- **Industrial temperature range of -40°C to +85°C**
- **V_{CC} = 5V ± 10%**

CY74FCT16543T Features:

- **64 mA sink current, 32 mA source current**
- **Typical V_{OLP} (ground bounce) < 1.0V at V_{CC} = 5V, T_A = 25°C**

CY74FCT162543T Features:

- **Balanced 24 mA output drivers**
- **Reduced system switching noise**
- **Typical V_{OLP} (ground bounce) < 0.6V at V_{CC} = 5V, T_A = 25°C**

CY74FCT162H543T Features:

- **Bus hold retains last active state**
- **Eliminates the need for external pull-up or pull-down resistors**

Functional Description

The CY74FCT16543T and CY74FCT162543T are 16-bit, high-speed, low power latched transceivers that are organized as two independent 8-bit D-type latched transceivers containing two sets of eight D-type latches with separate Latch Enable (LEAB, LEAB) and Output Enable (OEAB, OEAB) controls for each set to permit independent control of inputting and outputting in either direction of data flow. For data flow from A to B, for example, the A-to-B input Enable (CEAB) must be LOW in order to enter data from A or to take data from B as indicated in the truth table. With CAEB LOW, a LOW signal on the A-to-B Latch Enable (LEAB) makes the A-to-B latches transparent; a subsequent LOW-to-HIGH transition of the LEAB signal puts the A latches in the storage mode and their outputs no longer change with the A inputs. With CEAB and OEAB both LOW, the three-state B output buffers are active and reflect the data present at the output of the A latches. Control of data from B to A is similar, but uses CEAB, LEAB, and OEAB inputs flow-through pinout and small shrink packaging and in simplifying board design. The output buffers are designed with a power-off disable feature to allow live insertion of boards.

The CY74FCT16543T is ideally suited for driving high-capacitance loads and low-impedance backplanes.

The CY74FCT162543T has 24-mA balanced output drivers with current limiting resistors in the outputs. This reduces the need for external terminating resistors and provides for minimal undershoot and reduced ground bounce. The CY74FCT162543T is ideal for driving transmission lines.

The CY74FCT162H543T is a 24-mA balanced output part that has "bus hold" on the data inputs. The device retains the input's last state whenever the input goes to high impedance. This eliminates the need for pull-up/down resistors and prevents floating inputs.

Electrical Characteristics Over the Operating Range

Parameter	Description	Test Conditions	Min.	Typ. ^[5]	Max.	Unit
V _{IH}	Input HIGH Voltage		2.0			V
V _{IL}	Input LOW Voltage				0.8	V
V _H	Input Hysteresis ^[6]			100		mV
V _{IK}	Input Clamp Diode Voltage	V _{CC} =Min., I _{IN} =-18 mA		-0.7	-1.2	V
I _{IH}	Input HIGH Current	V _{CC} =Max., V _I =V _{CC}			±1	μA
I _{IL}	Input LOW Current	V _{CC} =Max., V _I =GND			±1	μA
I _{OZH}	High Impedance Output Current (Three-State Output pins)	V _{CC} =Max., V _{OUT} =2.7V			±1	μA
I _{OZL}	High Impedance Output Current (Three-State Output pins)	V _{CC} =Max., V _{OUT} =0.5V			±1	μA
I _{OS}	Short Circuit Current ^[7]	V _{CC} =Max., V _{OUT} =GND	-80	-140	-200	mA
I _O	Output Drive Current ^[7]	V _{CC} =Max., V _{OUT} =2.5V	-50		-180	mA
I _{OFF}	Power-Off Disable	V _{CC} =0V, V _{OUT} ≤4.5V ^[8]			±1	μA

Notes:

1. A-to-B data flow shown; B-to-A flow control is the same, except using \overline{CEBA} , \overline{LEBA} , and \overline{OEBA} .
2. Data prior to LEAB LOW-to-HIGH Transition
H = HIGH Voltage Level. L = LOW Voltage Level.
X = Don't Care. Z = High Impedance.
3. Operation beyond the limits set forth may impair the useful life of the device. Unless otherwise noted, these limits are over the operating free-air temperature range.
4. Unused inputs must always be connected to an appropriate logic voltage level, preferably either V_{CC} or ground.
5. Typical values are at V_{CC}= 5.0V, T_A= +25°C ambient.
6. This parameter is specified but not tested.
7. Not more than one output should be shorted at a time. Duration of short should not exceed one second. The use of high-speed test apparatus and/or sample and hold techniques are preferable in order to minimize internal chip heating and more accurately reflect operational values. Otherwise prolonged shorting of a high output may raise the chip temperature well above normal and thereby cause invalid readings in other parametric tests. In any sequence of parameter tests, I_{OS} tests should be performed last.
8. Tested at +25°C.
9. On the 74FCT162H543T, these pins have bus hold.

Output Drive Characteristics for CY74FCT16543T

Parameter	Description	Test Conditions	Min.	Typ. ^[5]	Max.	Unit
V _{OH}	Output HIGH Voltage	V _{CC} =Min., I _{OH} =-3 mA	2.5	3.5		V
		V _{CC} =Min., I _{OH} =-15 mA	2.4	3.5		
		V _{CC} =Min., I _{OH} =-32 mA	2.0	3.0		
V _{OL}	Output LOW Voltage	V _{CC} =Min., I _{OL} =64 mA		0.2	0.55	V

Output Drive Characteristics for CY74FCT162543T, CY74FCT162H543T

Parameter	Description	Test Conditions	Min.	Typ. ^[5]	Max.	Unit
I _{ODL}	Output LOW Current ^[7]	V _{CC} =5V, V _{IN} =V _{IH} or V _{IL} , V _{OUT} =1.5V	60	115	150	mA
I _{ODH}	Output HIGH Current ^[7]	V _{CC} =5V, V _{IN} =V _{IH} or V _{IL} , V _{OUT} =1.5V	-60	-115	-150	mA
V _{OH}	Output HIGH Voltage	V _{CC} =Min., I _{OH} =-24 mA	2.4	3.3		V
V _{OL}	Output LOW Voltage	V _{CC} =Min., I _{OL} =24 mA		0.3	0.55	V

Capacitance^[6] (T_A = +25°C, f = 1.0 MHz)

Parameter	Description	Test Conditions	Typ. ^[5]	Max.	Unit
C _{IN}	Input Capacitance	V _{IN} = 0V	4.5	6.0	pF
C _{OUT}	Output Capacitance	V _{OUT} = 0V	5.5	8.0	pF

Power Supply Characteristics

Parameter	Description	Test Conditions	Typ. ^[5]	Max.	Unit	
I _{CC}	Quiescent Power Supply Current	V _{CC} =Max. V _{IN} ≤0.2V, V _{IN} ≥V _{CC} -0.2V	5	500	μA	
ΔI _{CC}	Quiescent Power Supply Current (TTL inputs HIGH)	V _{CC} =Max. V _{IN} =3.4V ^[10]	0.5	1.5	mA	
I _{CCD}	Dynamic Power Supply Current ^[11]	V _{CC} =Max., One Input Toggling, 50% Duty Cycle, Outputs Open, OE=GND	60	100	μA/MHz	
I _C	Total Power Supply Current ^[12]	V _{CC} =Max., f ₁ =10 MHz, 50% Duty Cycle, Outputs Open, One Bit Toggling, OE=GND	V _{IN} =V _{CC} or V _{IN} =GND	0.6	1.5	mA
			V _{IN} =3.4V or V _{IN} =GND	0.9	2.3	mA
		V _{CC} =Max., f ₁ =2.5 MHz, 50% Duty Cycle, Outputs Open, Sixteen Bits Toggling, OE=GND	V _{IN} =V _{CC} or V _{IN} =GND	2.4	4.5 ^[13]	mA
			V _{IN} =3.4V or V _{IN} =GND	6.4	16.5 ^[13]	mA

Notes:

10. Per TTL driven input (V_{IN}=3.4V); all other inputs at V_{CC} or GND.
11. This parameter is not directly testable, but is derived for use in Total Power Supply calculations.
12.
 - I_C = I_{QUIESCENT} + I_{INPUTS} + I_{DYNAMIC}
 - I_C = I_{CC} + ΔI_{CC}D_HN_T + I_{CCD}(f₀/2 + f₁N₁)
 - I_{CC} = Quiescent Current with CMOS input levels
 - ΔI_{CC} = Power Supply Current for a TTL HIGH input (V_{IN}=3.4V)
 - D_H = Duty Cycle for TTL inputs HIGH
 - N_T = Number of TTL inputs at D_H
 - I_{CCD} = Dynamic Current caused by an input transition pair (HLH or LHL)
 - f₀ = Clock frequency for registered devices, otherwise zero
 - f₁ = Input signal frequency
 - N₁ = Number of inputs changing at f₁
 All currents are in milliamps and all frequencies are in megahertz.
13. Values for these conditions are examples of the I_{CC} formula. These limits are specified but not tested.

Switching Characteristics Over the Operating Range^[14]

Parameter	Description	CY74FCT16543T CY74FCT162543T		CY74FCT16543AT CY74FCT162543AT		Unit	Fig. No. ^[15]
		Min.	Max.	Min.	Max.		
t _{PLH} t _{PHL}	Propagation Delay Transparent Mode A to B or B to A	1.5	8.5	1.5	6.5	ns	1, 3
t _{PLH} t _{PHL}	Propagation Delay LEBA to A, LEAB to B	1.5	12.5	1.5	8.0	ns	1, 5
t _{PZH} t _{PZL}	Output Enable Time OEBA or OEAB to A or B CEBA or CEAB to A or B	1.5	12.0	1.5	9.0	ns	1, 7, 8
t _{PHZ} t _{PLZ}	Output Disable Time OEBA or OEAB to A or B CEBA or CEAB to A or B	1.5	9.0	1.5	7.5	ns	1, 7, 8
t _{SU}	Set-up Time HIGH or LOW A or B to LEAB or LEBA	2.0	—	2.0	—	ns	4
t _H	Hold Time HIGH or LOW A or B to LEAB or LEBA	2.0	—	2.0	—	ns	4
t _W	LEBA or LEAB Pulse Width LOW	4.0	—	4.0	—	ns	5
t _{SK(O)}	Output Skew ^[16]	—	0.5	—	0.5	ns	—

Parameter	Description	CY74FCT16543CT CY74FCT162543CT CY74FCT162H543CT		CY74FCT16543ET CY74FCT162543ET		Unit	Fig. No. ^[15]
		Min.	Max.	Min.	Max.		
t _{PLH} t _{PHL}	Propagation Delay Transparent Mode A to B or B to A	1.5	5.1	1.5	3.4	ns	1, 3
t _{PLH} t _{PHL}	Propagation Delay LEBA to A, LEAB to B	1.5	5.6	1.5	3.7	ns	1, 5
t _{PZH} t _{PZL}	Output Enable Time OEBA or OEAB to A or B CEBA or CEAB to A or B	1.5	7.8	1.5	4.8	ns	1, 7, 8
t _{PHZ} t _{PLZ}	Output Disable Time OEBA or OEAB to A or B CEBA or CEAB to A or B	1.5	6.5	1.5	4.0	ns	1, 7, 8
t _{SU}	Set-up Time HIGH or LOW A or B to LEAB or LEBA	2.0	—	1.0	—	ns	4
t _H	Hold Time HIGH or LOW A or B to LEAB or LEBA	2.0	—	1.0	—	ns	4
t _W	LEBA or LEAB Pulse Width LOW	4.0	—	3.0	—	ns	5
t _{SK(O)}	Output Skew ^[16]	—	0.5	—	0.5	ns	—

Notes:

14. Minimum limits are specified but not tested on Propagation Delays.

15. See "Parameter Measurement Information" in the General Information section.

16. Skew between any two outputs of the same package switching in the same directional. This parameter is ensured by design.

Ordering Information CY74FCT16543

Speed (ns)	Ordering Code	Package Name	Package Type	Operating Range
3.4	CY74FCT16543ETPACT	Z56	56-Lead (240-Mil) TSSOP	Industrial
	CY74FCT16543ETPVC/PVCT	O56	56-Lead (300-Mil) SSOP	
5.1	CY74FCT16543CTPVC/PVCT	O56	56-Lead (300-Mil) SSOP	Industrial
6.5	CY74FCT16543ATPACT	Z56	56-Lead (240-Mil) TSSOP	Industrial
8.5	CY74FCT16543TPVC/PVCT	O56	56-Lead (300-Mil) SSOP	Industrial

Ordering Information CY74FCT162543

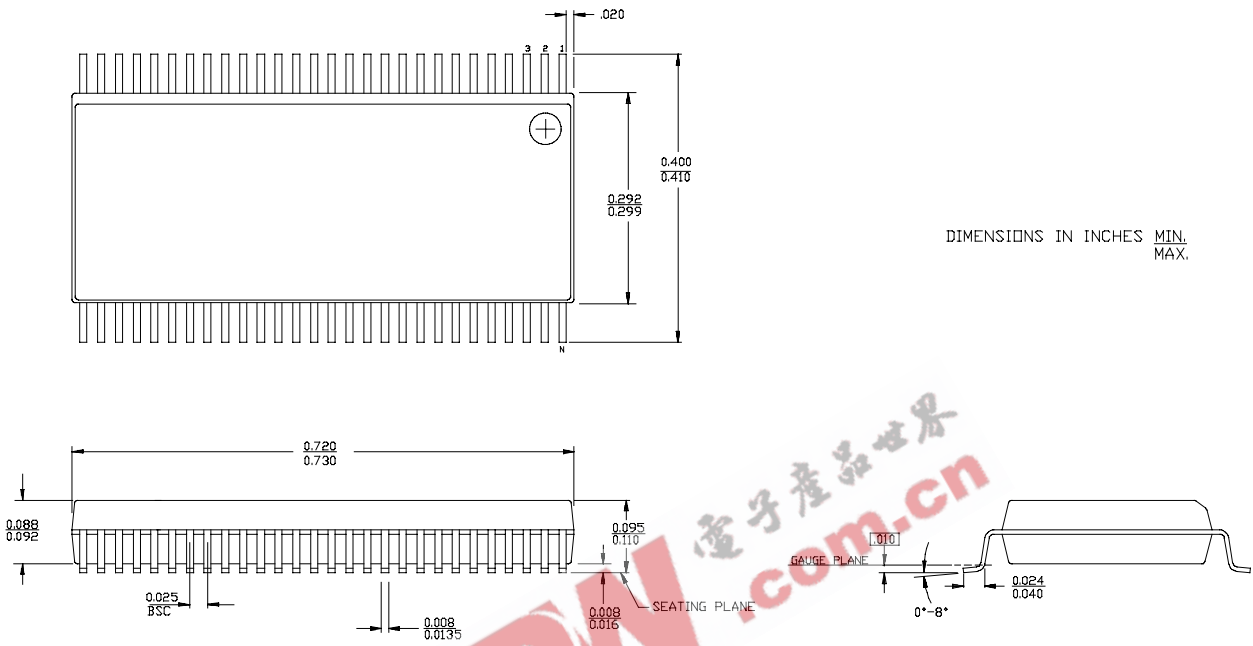
Speed (ns)	Ordering Code	Package Name	Package Type	Operating Range
3.4	74FCT162543ETPACT	Z56	56-Lead (240-Mil) TSSOP	Industrial
	CY74FCT162543ETPVC	O56	56-Lead (300-Mil) SSOP	
	74FCT162543ETPVCT	O56	56-Lead (300-Mil) SSOP	
5.1	74FCT162543CTPACT	Z56	56-Lead (240-Mil) TSSOP	Industrial
	CY74FCT162543CTPVC	O56	56-Lead (300-Mil) SSOP	
	74FCT162543CTPVCT	O56	56-Lead (300-Mil) SSOP	
6.5	74FCT162543ATPACT	Z56	56-Lead (240-Mil) TSSOP	Industrial
8.5	CY74FCT162543TPVC/PVCT	O56	56-Lead (300-Mil) SSOP	Industrial

Ordering Information CY74FCT162H543T

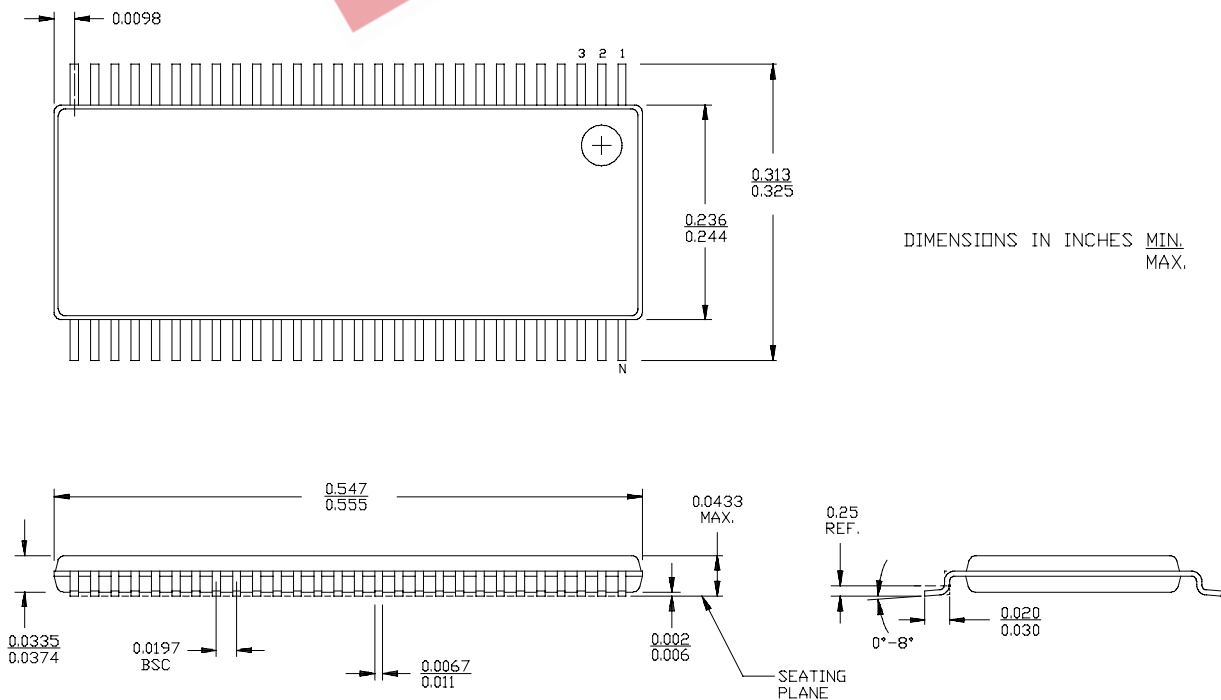
Speed (ns)	Ordering Code	Package Name	Package Type	Operating Range
5.1	74FCT162H543CTPACT	Z56	56-Lead (240-Mil) TSSOP	Industrial

Package Diagrams

56-Lead Shrunk Small Outline Package O56



56-Lead Thin Shrunk Small Outline Package Z56



IMPORTANT NOTICE

Texas Instruments and its subsidiaries (TI) reserve the right to make changes to their products or to discontinue any product or service without notice, and advise customers to obtain the latest version of relevant information to verify, before placing orders, that information being relied on is current and complete. All products are sold subject to the terms and conditions of sale supplied at the time of order acknowledgement, including those pertaining to warranty, patent infringement, and limitation of liability.

TI warrants performance of its semiconductor products to the specifications applicable at the time of sale in accordance with TI's standard warranty. Testing and other quality control techniques are utilized to the extent TI deems necessary to support this warranty. Specific testing of all parameters of each device is not necessarily performed, except those mandated by government requirements.

CERTAIN APPLICATIONS USING SEMICONDUCTOR PRODUCTS MAY INVOLVE POTENTIAL RISKS OF DEATH, PERSONAL INJURY, OR SEVERE PROPERTY OR ENVIRONMENTAL DAMAGE ("CRITICAL APPLICATIONS"). TI SEMICONDUCTOR PRODUCTS ARE NOT DESIGNED, AUTHORIZED, OR WARRANTED TO BE SUITABLE FOR USE IN LIFE-SUPPORT DEVICES OR SYSTEMS OR OTHER CRITICAL APPLICATIONS. INCLUSION OF TI PRODUCTS IN SUCH APPLICATIONS IS UNDERSTOOD TO BE FULLY AT THE CUSTOMER'S RISK.

In order to minimize risks associated with the customer's applications, adequate design and operating safeguards must be provided by the customer to minimize inherent or procedural hazards.

TI assumes no liability for applications assistance or customer product design. TI does not warrant or represent that any license, either express or implied, is granted under any patent right, copyright, mask work right, or other intellectual property right of TI covering or relating to any combination, machine, or process in which such semiconductor products or services might be or are used. TI's publication of information regarding any third party's products or services does not constitute TI's approval, warranty or endorsement thereof.