

DATA SHEET

EEPW 电子产品世界
.com.cn

74ALS563A/74ALS564A Latch flip/flop

Product specification
IC05 Data Handbook

1996 Jul 01

Latch/flip-flop

74ALS563A/74ALS564A

74ALS563A Octal transparent latch, inverting (3-State)
 74ALS564A Octal D flip-flop, inverting (3-State)

FEATURES

- 74ALS563A is broadside pinout and inverting version of 74ALS373
- 74ALS564A is broadside pinout and inverting version of 74ALS374
- Inputs and outputs on opposite side of package allow easy interface to microprocessors
- Useful as an input or output port for microprocessors
- 3-State outputs for bus interfacing
- Common output enable
- 74ALS573A and 74ALS574A are non-inverting version of 74ALS563B and 74ALS564A respectively

TYPE	TYPICAL PROPAGATION DELAY	TYPICAL SUPPLY CURRENT (TOTAL)
74ALS563A	6.0ns	12mA
74ALS564A	6.0ns	15mA

ORDERING INFORMATION

DESCRIPTION	ORDER CODE	DRAWING NUMBER
	COMMERCIAL RANGE V _{CC} = 5V ±10%, T _{amb} = 0°C to +70°C	
20-pin plastic DIP	74ALS563AN, 74ALS564AN	SOT146-1
20-pin plastic SOL	74ALS563AD, 74ALS564AD	SOT163-1

INPUT AND OUTPUT LOADING AND FAN-OUT TABLE

PINS	DESCRIPTION	74ALS (U.L.) HIGH/LOW	LOAD VALUE HIGH/LOW
D0 – D7	Data inputs	1.0/2.0	20µA/0.2mA
E (74ALS563A)	Enable input	1.0/1.0	20µA/0.1mA
\overline{OE}	Output enable input (active-Low)	1.0/1.0	20µA/0.1mA
CP (74ALS564A)	Clock pulse input (active rising edge)	1.0/2.0	20µA/0.2mA
$\overline{Q}0 – \overline{Q}7$	Data outputs	130/240	2.6mA/24mA

NOTE: One (1.0) ALS unit load is defined as: 20µA in the High state and 0.1mA in the Low state.

DESCRIPTION

The 74ALS563A is an octal transparent latch coupled to eight 3-State output devices. The two sections of the device are controlled independently by enable (E) and output enable (\overline{OE}) control gates.

The 74ALS563A is a complementary version of the 74ALS373 and has a broadside pinout configuration to facilitate PC board layout and allow easy interface with microprocessors.

The data on the D inputs is transferred to the latch outputs when the enable (E) input is High. The latch remains transparent to the data input while E is High, and stores the inverted data that is present one setup time before the High-to-Low enable transition.

The 74ALS564A is a complementary version of the 74ALS373 and has a broadside pinout configuration to facilitate PC board layout and allow easy interface with microprocessors.

It is an 8-bit edge triggered register coupled to eight 3-State output buffers. The two sections of the device are controlled independently by clock (CP) and output enable (\overline{OE}) control gates.

The register is fully edge triggered. The state of the D input, one setup time before the Low-to-High clock transition is transferred to the corresponding flip-flop's Q output.

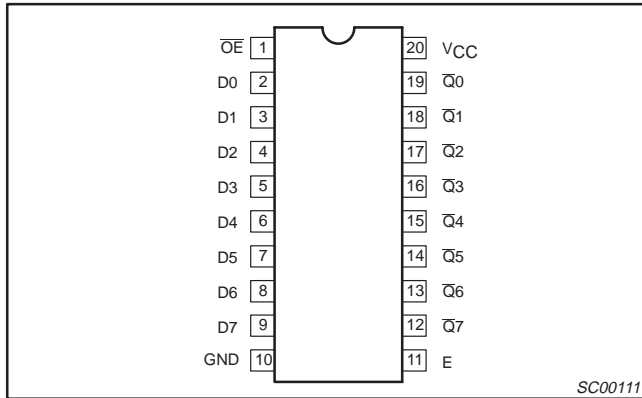
The active-Low output enable (\overline{OE}) controls all eight 3-State buffers independent of the latch operation. When \overline{OE} is Low, latched or transparent data appears at the output.

When \overline{OE} is High, the outputs are in high impedance "off" state, which means they will neither drive nor load the bus.

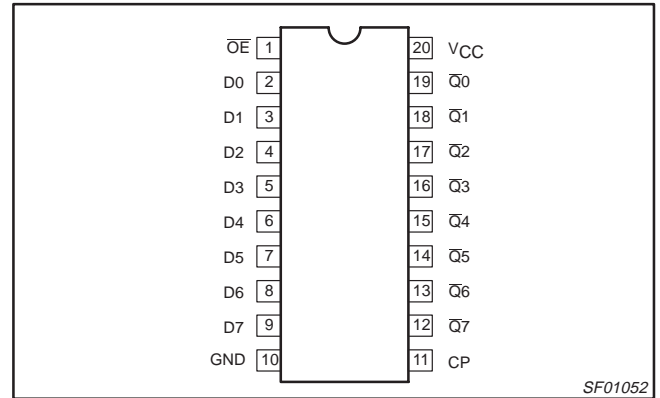
Latch/flip-flop

74ALS563A/74ALS564A

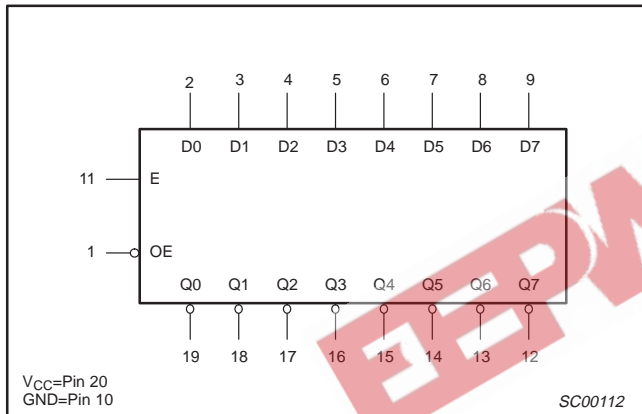
PIN CONFIGURATION – 74ALS563A



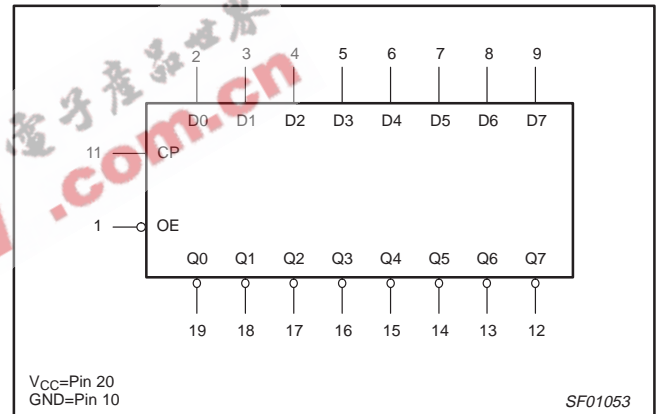
PIN CONFIGURATION – 74ALS564A



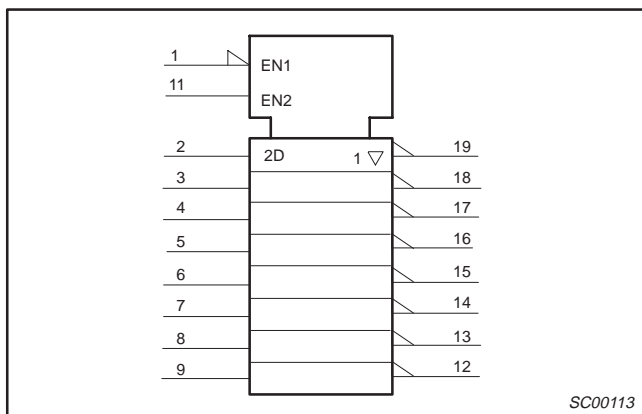
LOGIC SYMBOL – 74ALS563A



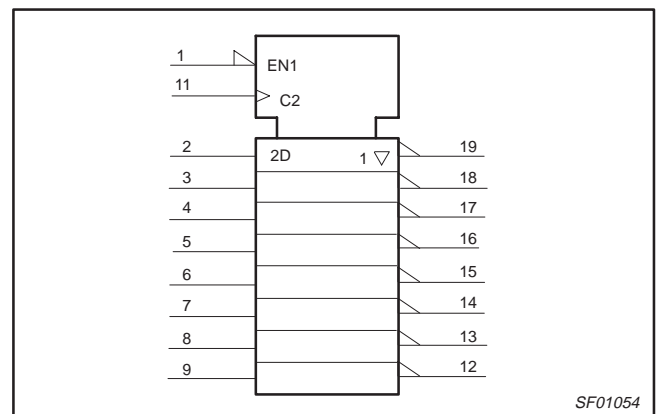
LOGIC SYMBOL – 74ALS564A



IEC/IEEE SYMBOL – 74ALS563A



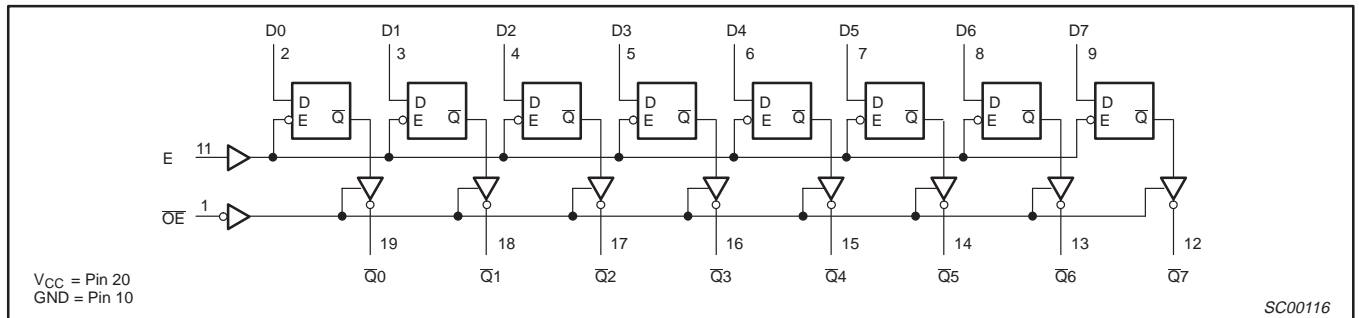
IEC/IEEE SYMBOL – 74ALS564A



Latch/flip-flop

74ALS563A/74ALS564A

LOGIC DIAGRAM – 74ALS563A



SC00116

FUNCTION TABLE – 74ALS563A

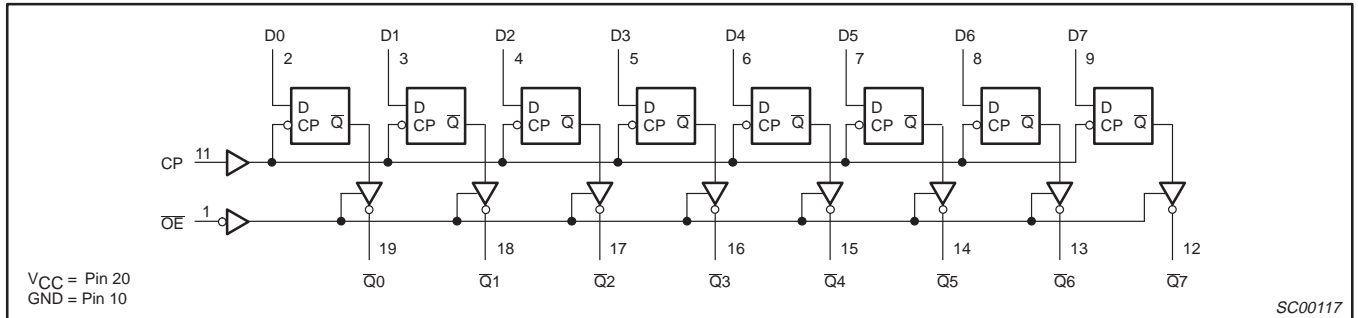
INPUTS			OUTPUTS REGISTER	INTERNAL	OPERATING MODE
\overline{OE}	E	Dn		$\overline{Q0} - \overline{Q7}$	
L	H	L	L	H	Enable and read register
L	H	H	H	L	
L	↓	l	L	H	Latch and read register
L	↓	h	H	L	
L	L	X	NC	NC	Hold
H	L	X	NC	Z	Disable outputs
H	H	Dn	Dn	Z	

- H = High voltage level
- h = High state must be present one setup time before the High-to-Low enable transition
- L = Low voltage level
- l = Low state must be present one setup time before the High-to-Low enable transition
- NC= No change
- X = Don't care
- Z = High impedance "off" state
- ↓ = High-to-Low enable transition

Latch/flip-flop

74ALS563A/74ALS564A

LOGIC DIAGRAM – 74ALS564A



FUNCTION TABLE – 74ALS564A

INPUTS			OUTPUTS REGISTER	INTERNAL	OPERATING MODE
\overline{OE}	CP	Dn		$\overline{Q0} - \overline{Q7}$	
L	\uparrow	l	L	H	Load and read register
L	\uparrow	h	H	L	
L	\updownarrow	X	NC	NC	Hold
H	\updownarrow	X	NC	Z	Disable outputs
H	\uparrow	Dn	Dn	Z	

H = High voltage level
 h = High state must be present one setup time before the Low-to-High clock transition
 L = Low voltage level
 l = Low state must be present one setup time before the Low-to-High clock transition
 NC = No change
 X = Don't care
 Z = High impedance "off" state
 \uparrow = Low-to-High clock transition
 \updownarrow = Not Low-to-High clock transition

ABSOLUTE MAXIMUM RATINGS

(Operation beyond the limit set forth in this table may impair the useful life of the device. Unless otherwise noted these limits are over the operating free-air temperature range.)

SYMBOL	PARAMETER	RATING	UNIT
V_{CC}	Supply voltage	-0.5 to +7.0	V
V_{IN}	Input voltage	-0.5 to +7.0	V
I_{IN}	Input current	-30 to +5	mA
V_{OUT}	Voltage applied to output in High output state	-0.5 to V_{CC}	V
I_{OUT}	Current applied to output in Low output state	48	mA
T_{amb}	Operating free-air temperature range	0 to +70	°C
T_{stg}	Storage temperature range	-65 to +150	°C

Latch/flip-flop

74ALS563A/74ALS564A

RECOMMENDED OPERATING CONDITIONS

SYMBOL	PARAMETER	LIMITS			UNIT
		MIN	NOM	MAX	
V_{CC}	Supply voltage	4.5	5.0	5.5	V
V_{IH}	High-level input voltage	2.0			V
V_{IL}	Low-level input voltage			0.8	V
I_{IK}	Input clamp current			-18	mA
I_{OH}	High-level output current			-2.6	mA
I_{OL}	Low-level output current			24	mA
T_{amb}	Operating free-air temperature range	0		+70	°C

DC ELECTRICAL CHARACTERISTICS

(Over recommended operating free-air temperature range unless otherwise noted.)

SYMBOL	PARAMETER		TEST CONDITIONS ¹	LIMITS			UNIT		
				MIN	TYP ²	MAX			
V_{OH}	High-level output voltage		$V_{CC} = \pm 10\%$, $V_{IL} = \text{MAX}$, $V_{IH} = \text{MIN}$	$I_{OH} = -0.4\text{mA}$	$V_{CC} - 2$		V		
				$I_{OH} = \text{MAX}$	2.4	3.2	V		
V_{OL}	Low-level output voltage		$V_{CC} = \text{MIN}$, $V_{IL} = \text{MAX}$, $V_{IH} = \text{MIN}$	$I_{OL} = 12\text{mA}$		0.25	0.40	V	
				$I_{OL} = 24\text{mA}$		0.35	0.50	V	
V_{IK}	Input clamp voltage		$V_{CC} = \text{MIN}$, $I_I = I_{IK}$		-0.73	-1.5	V		
I_I	Input current at maximum input voltage		$V_{CC} = \text{MAX}$, $V_I = 7.0\text{V}$			0.1	mA		
I_{IH}	High-level input current		$V_{CC} = \text{MAX}$, $V_I = 2.7\text{V}$			20	μA		
I_{IL}	Low-level input current	74ALS563A	$V_{CC} = \text{MAX}$, $V_I = 0.4\text{V}$			-0.1	mA		
		74ALS564A				-0.2	mA		
I_{OZH}	Off-state output current, High-level voltage applied		$V_{CC} = \text{MAX}$, $V_I = 2.7\text{V}$			20	μA		
I_{OZL}	Off-state output current, Low-level voltage applied		$V_{CC} = \text{MAX}$, $V_I = 0.4\text{V}$			-20	μA		
I_O	Output current ³		$V_{CC} = \text{MAX}$, $V_O = 2.25\text{V}$	-30		-112	mA		
I_{CC}	Supply current (total)		74ALS563A	I_{CCH}	$V_{CC} = \text{MAX}$	7	12	mA	
				I_{CCL}		13	21	mA	
				I_{CCZ}		15	24	mA	
			74ALS564A	I_{CCH}		$V_{CC} = \text{MAX}$	11	18	mA
				I_{CCL}			17	27	mA
				I_{CCZ}			18	28	mA

NOTES:

- For conditions shown as MIN or MAX, use the appropriate value specified under recommended operating conditions for the applicable type.
- All typical values are at $V_{CC} = 5\text{V}$, $T_{amb} = 25^\circ\text{C}$.
- The output conditions have been chosen to produce a current that closely approximates one half of the true short-circuit output current, I_{OS} .

Latch/flip-flop

74ALS563A/74ALS564A

AC ELECTRICAL CHARACTERISTICS

SYMBOL	PARAMETER	TEST CONDITION	LIMITS		UNIT
			$T_{amb} = 0^{\circ}\text{C to } +70^{\circ}\text{C}$ $V_{CC} = +5.0\text{V} \pm 10\%$ $C_L = 50\text{pF}, R_L = 500\Omega$		
			MIN	MAX	
t_{PLH} t_{PHL}	Propagation delay Dn to Qn	Waveform 3	2.0	10.0	ns
t_{PLH} t_{PHL}	Propagation delay E to Qn		4.0	13.0	
t_{PZH} t_{PZL}	Output enable time to High or Low level		1.0	9.0	
t_{PHZ} t_{PLZ}	Output disable time from High or Low level		2.0	11.0	
f_{MAX}	Maximum clock frequency	Waveform 1	45		MHz
t_{PLH} t_{PHL}	Propagation delay CP to Qn	Waveform 6 Waveform 7	3.0	12.0	ns
t_{PZH} t_{PZL}	Output enable time to High or Low level		1.0	9.0	
t_{PHZ} t_{PLZ}	Output disable time from High or Low level		2.0	11.0	
			3.0	11.0	

AC SETUP REQUIREMENTS

SYMBOL	PARAMETER	TEST CONDITION	LIMITS		UNIT
			$T_{amb} = 0^{\circ}\text{C to } +70^{\circ}\text{C}$ $V_{CC} = +5.0\text{V} \pm 10\%$ $C_L = 50\text{pF}, R_L = 500\Omega$		
			MIN	MAX	
$t_{su(H)}$ $t_{su(L)}$	Setup time, High or Low Dn to E	Waveform 4	6.0		ns
$t_h(H)$ $t_h(L)$	Hold time, High or Low Dn to E		6.0		
$t_w(H)$	E Pulse width, High		10.0		
$t_{su(H)}$ $t_{su(L)}$	Setup time, High or Low Dn to CP	Waveform 5	6.0		ns
$t_h(H)$ $t_h(L)$	Hold time, High or Low Dn to CP		1.0		
$t_w(H)$ $t_w(L)$	CP Pulse width, High or Low		7.0	11.0	

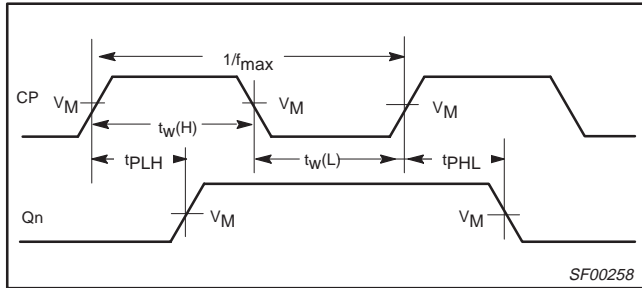
Latch/flip-flop

74ALS563A/74ALS564A

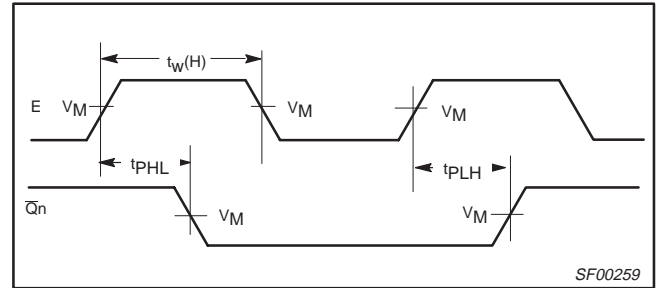
AC WAVEFORMS

For all waveforms, $V_M = 1.3V$.

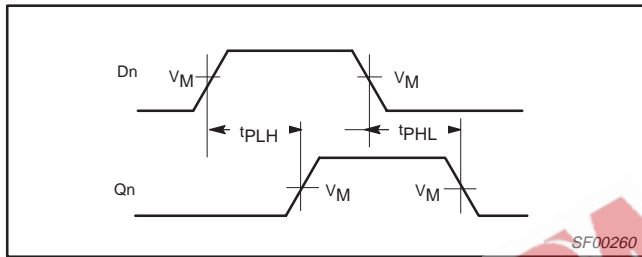
The shaded areas indicate when the input is permitted to change for predictable output performance.



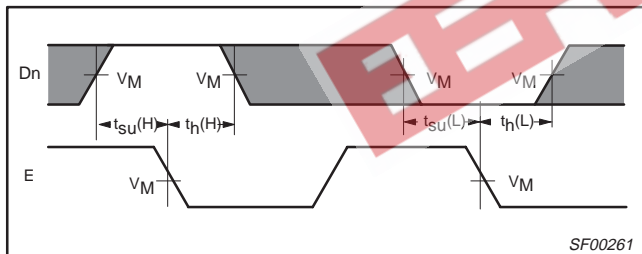
Waveform 1. Propagation Delay for Clock Input to Output, Clock Pulse Widths, and Maximum Clock Frequency



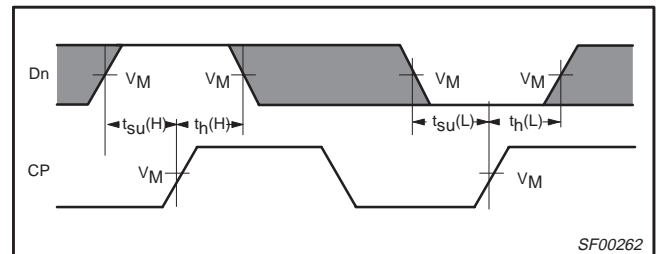
Waveform 2. Propagation Delay for Enable to Output and Enable Pulse Width



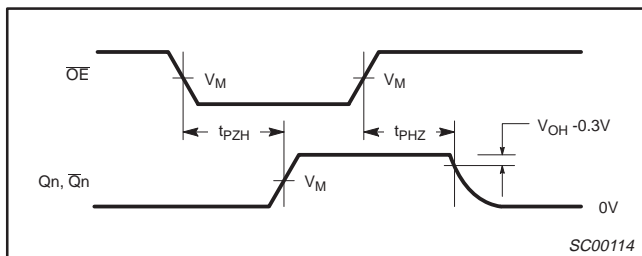
Waveform 3. Propagation Delay for Data to Output



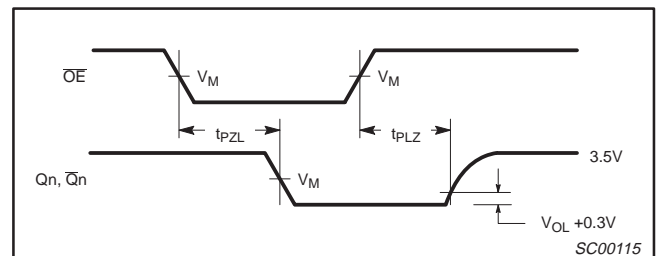
Waveform 4. Data Setup Time and Hold Times



Waveform 5. Data Setup Time and Hold Times



Waveform 6. 3-State Output Enable Time to High Level and Output Disable Time from High Level



Waveform 7. 3-State Output Enable Time to Low Level and Output Disable Time from Low Level

Latch/flip-flop

74ALS563A/74ALS564A

TEST CIRCUIT AND WAVEFORMS

Test Circuit for 3-State Outputs

SWITCH POSITION

TEST	SWITCH
t_{PLZ}, t_{PZL}	closed
All other	open

DEFINITIONS:
 R_L = Load resistor; see AC electrical characteristics for value.
 C_L = Load capacitance includes jig and probe capacitance; see AC electrical characteristics for value.
 R_T = Termination resistance should be equal to Z_{OUT} of pulse generators.

Input Pulse Definition

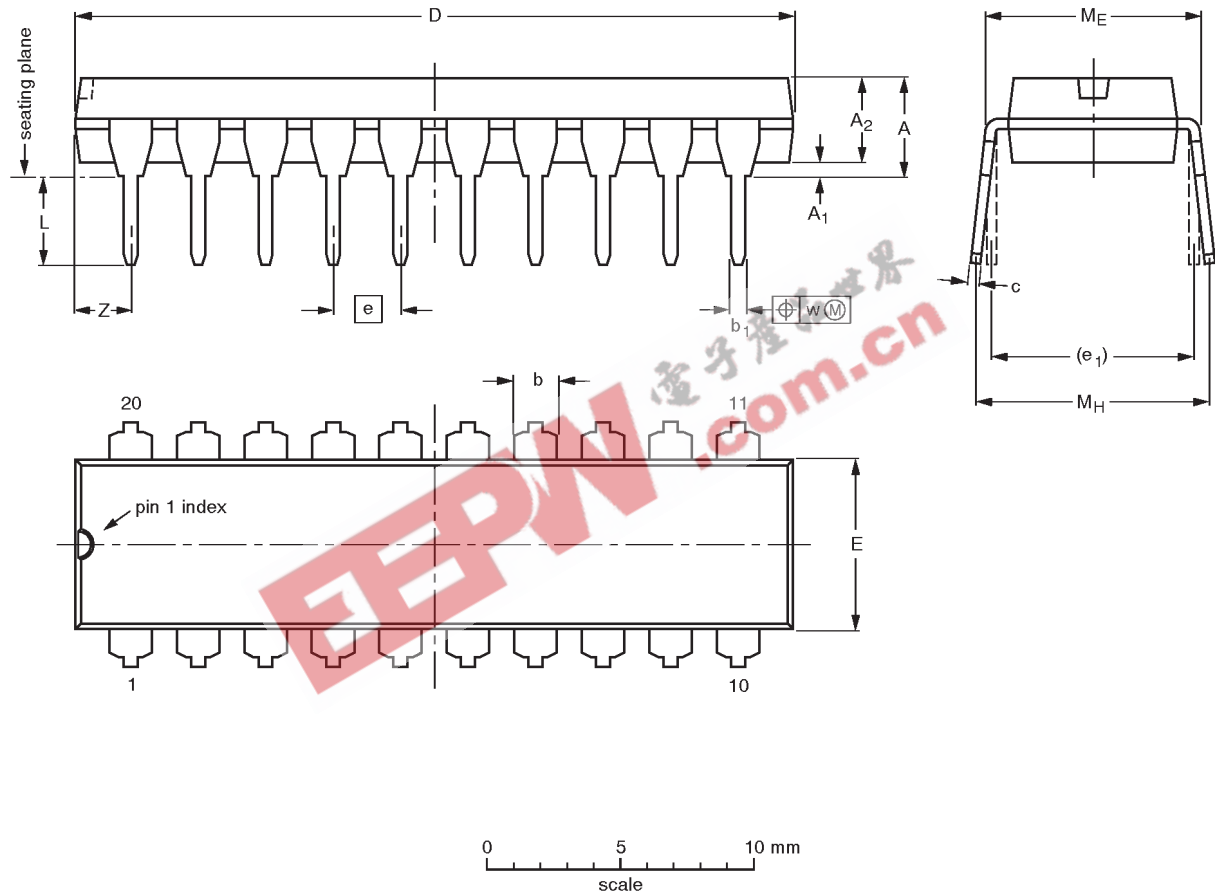
Family	INPUT PULSE REQUIREMENTS					
	Amplitude V_M	Rep.Rate	t_w	t_{TLH}	t_{THL}	
74ALS	3.5V	1MHz	500ns	2.0ns	2.0ns	

SC00072

Latch flip-flop

DIP20: plastic dual in-line package; 20 leads (300 mil)

SOT146-1



DIMENSIONS (inch dimensions are derived from the original mm dimensions)

UNIT	A max.	A ₁ min.	A ₂ max.	b	b ₁	c	D ⁽¹⁾	E ⁽¹⁾	e	e ₁	L	M _E	M _H	w	Z ⁽¹⁾ max.
mm	4.2	0.51	3.2	1.73 1.30	0.53 0.38	0.36 0.23	26.92 26.54	6.40 6.22	2.54	7.62	3.60 3.05	8.25 7.80	10.0 8.3	0.254	2.0
inches	0.17	0.020	0.13	0.068 0.051	0.021 0.015	0.014 0.009	1.060 1.045	0.25 0.24	0.10	0.30	0.14 0.12	0.32 0.31	0.39 0.33	0.01	0.078

Note

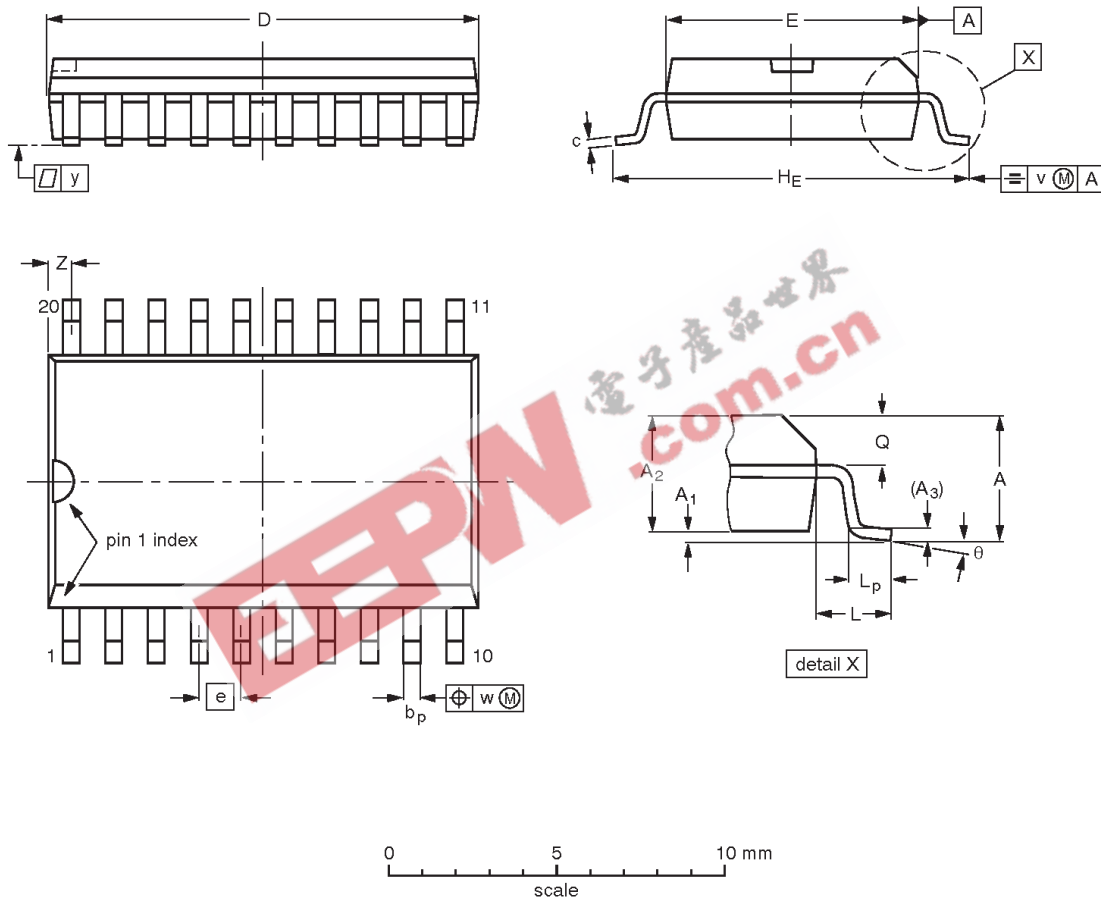
1. Plastic or metal protrusions of 0.25 mm maximum per side are not included.

OUTLINE VERSION	REFERENCES				EUROPEAN PROJECTION	ISSUE DATE
	IEC	JEDEC	EIAJ			
SOT146-1			SC603			92-11-17 95-05-24

Latch flip-flop

SO20: plastic small outline package; 20 leads; body width 7.5 mm

SOT163-1



DIMENSIONS (inch dimensions are derived from the original mm dimensions)

UNIT	A max.	A ₁	A ₂	A ₃	b _p	c	D ⁽¹⁾	E ⁽¹⁾	e	H _E	L	L _p	Q	v	w	y	Z ⁽¹⁾	θ
mm	2.65	0.30 0.10	2.45 2.25	0.25	0.49 0.36	0.32 0.23	13.0 12.6	7.6 7.4	1.27	10.65 10.00	1.4	1.1 0.4	1.1 1.0	0.25	0.25	0.1	0.9 0.4	8° 0°
inches	0.10	0.012 0.004	0.096 0.089	0.01	0.019 0.014	0.013 0.009	0.51 0.49	0.30 0.29	0.050	0.42 0.39	0.055	0.043 0.016	0.043 0.039	0.01	0.01	0.004	0.035 0.016	

Note

1. Plastic or metal protrusions of 0.15 mm maximum per side are not included.

OUTLINE VERSION	REFERENCES				EUROPEAN PROJECTION	ISSUE DATE
	IEC	JEDEC	EIAJ			
SOT163-1	075E04	MS-013AC				92-11-17 95-01-24

Latch flip-flop

DEFINITIONS

Data Sheet Identification	Product Status	Definition
<i>Objective Specification</i>	Formative or in Design	This data sheet contains the design target or goal specifications for product development. Specifications may change in any manner without notice.
<i>Preliminary Specification</i>	Preproduction Product	This data sheet contains preliminary data, and supplementary data will be published at a later date. Philips Semiconductors reserves the right to make changes at any time without notice in order to improve design and supply the best possible product.
<i>Product Specification</i>	Full Production	This data sheet contains Final Specifications. Philips Semiconductors reserves the right to make changes at any time without notice, in order to improve design and supply the best possible product.

Philips Semiconductors and Philips Electronics North America Corporation reserve the right to make changes, without notice, in the products, including circuits, standard cells, and/or software, described or contained herein in order to improve design and/or performance. Philips Semiconductors assumes no responsibility or liability for the use of any of these products, conveys no license or title under any patent, copyright, or mask work right to these products, and makes no representations or warranties that these products are free from patent, copyright, or mask work right infringement, unless otherwise specified. Applications that are described herein for any of these products are for illustrative purposes only. Philips Semiconductors makes no representation or warranty that such applications will be suitable for the specified use without further testing or modification.

LIFE SUPPORT APPLICATIONS

Philips Semiconductors and Philips Electronics North America Corporation Products are not designed for use in life support appliances, devices, or systems where malfunction of a Philips Semiconductors and Philips Electronics North America Corporation Product can reasonably be expected to result in a personal injury. Philips Semiconductors and Philips Electronics North America Corporation customers using or selling Philips Semiconductors and Philips Electronics North America Corporation Products for use in such applications do so at their own risk and agree to fully indemnify Philips Semiconductors and Philips Electronics North America Corporation for any damages resulting from such improper use or sale.

Philips Semiconductors
811 East Arques Avenue
P.O. Box 3409
Sunnyvale, California 94088-3409
Telephone 800-234-7381

© Copyright Philips Electronics North America Corporation 1997
All rights reserved. Printed in U.S.A.

Let's make things better.