

DATA SHEET

For a complete data sheet, please also download:

- The IC06 74HC/HCT/HCU/HCMOS Logic Family Specifications
- The IC06 74HC/HCT/HCU/HCMOS Logic Package Information
- The IC06 74HC/HCT/HCU/HCMOS Logic Package Outlines

74HC/HCT160

Presettable synchronous BCD decade counter; asynchronous reset

Product specification
File under Integrated Circuits, IC06

December 1990

Pre-settable synchronous BCD decade counter; asynchronous reset

74HC/HCT160

FEATURES

- Synchronous counting and loading
- Two count enable inputs for n-bit cascading
- Positive-edge triggered clock
- Asynchronous reset
- Output capability: standard
- I_{CC} category: MSI

GENERAL DESCRIPTION

The 74HC/HCT160 are high-speed Si-gate CMOS devices and are pin compatible with low power Schottky TTL (LSTTL). They are specified in compliance with JEDEC standard no. 7A.

The 74HC/HCT160 are synchronous pre-settable decade counters which feature an internal look-ahead carry and can be used for high-speed counting.

Synchronous operation is provided by having all flip-flops clocked simultaneously on the positive-going edge of the clock (CP).

The outputs (Q₀ to Q₃) of the counters may be preset to a HIGH or LOW level. A LOW level at the parallel enable

input (\overline{PE}) disables the counting action and causes the data at the data inputs (D₀ to D₃) to be loaded into the counter on the positive-going edge of the clock (providing that the set-up and hold time requirements for \overline{PE} are met). Preset takes place regardless of the levels at count enable inputs (CEP and CET).

A LOW level at the master reset input (\overline{MR}) sets all four outputs of the flip-flops (Q₀ to Q₃) to LOW level regardless of the levels at CP, \overline{PE} , CET and CEP inputs (thus providing an asynchronous clear function).

The look-ahead carry simplifies serial cascading of the counters. Both count enable inputs (CEP and CET) must be HIGH to count. The CET input is fed forward to enable the terminal count output (TC). The TC output thus enabled will produce a HIGH output pulse of a duration approximately equal to a HIGH level output of Q₀. This pulse can be used to enable the next cascaded stage.

The maximum clock frequency for the cascaded counters is determined by the CP to TC propagation delay and CEP to CP set-up time, according to the following formula:

$$f_{\max} = \frac{1}{t_{P(\max)} (\text{CP to TC}) + t_{\text{SU}} (\text{CEP to CP})}$$

QUICK REFERENCE DATA

GND = 0 V; T_{amb} = 25 °C; t_r = t_f = 6 ns

SYMBOL	PARAMETER	CONDITIONS	TYPICAL		UNIT
			HC	HCT	
t _{PHL}	propagation delay CP to Q _n CP to TC \overline{MR} to Q _n \overline{MR} to TC CET to TC	C _L = 15 pF; V _{CC} = 5 V	19	21	ns
			21	24	ns
			21	23	ns
			21	26	ns
			14	14	ns
t _{PLH}	propagation delay CP to Q _n CP to TC CET to TC		19	21	ns
			21	20	ns
			14	7	ns
f _{max}	maximum clock frequency		61	31	MHz
C _I	input capacitance		3.5	3.5	pF
C _{PD}	power dissipation capacitance per package	notes 1 and 2	39	34	pF

Notes

1. C_{PD} is used to determine the dynamic power dissipation (P_D in μW):

$$P_D = C_{PD} \times V_{CC}^2 \times f_i + \sum (C_L \times V_{CC}^2 \times f_o)$$

where:

f_i = input frequency in MHz
 f_o = output frequency in MHz
 $\sum (C_L \times V_{CC}^2 \times f_o)$ = sum of outputs
 C_L = output load capacitance in pF
 V_{CC} = supply voltage in V

2. For HC the condition is
 V_I = GND to V_{CC}
 For HCT the condition is
 V_I = GND to V_{CC} - 1.5 V

Pre-settable synchronous BCD decade counter; asynchronous reset

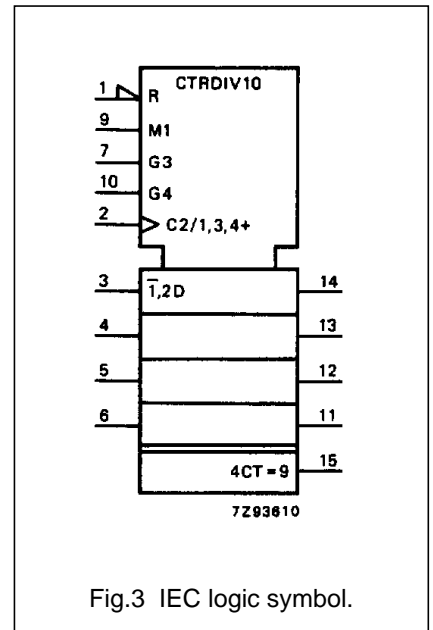
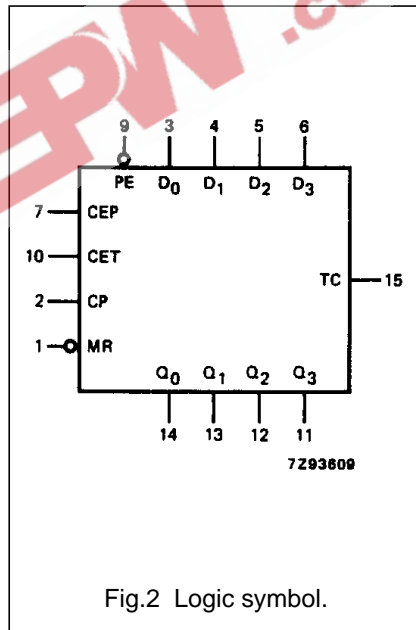
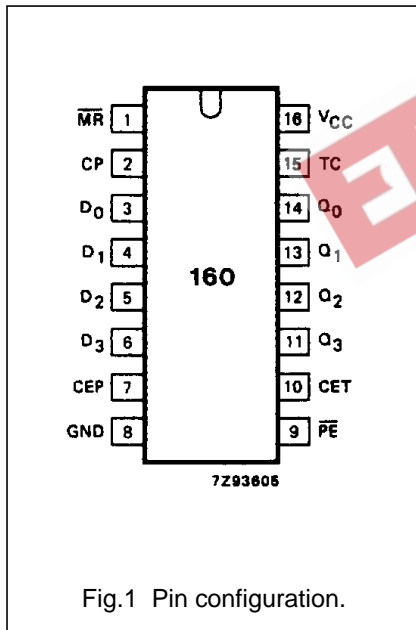
74HC/HCT160

ORDERING INFORMATION

See "74HC/HCT/HCU/HCMOS Logic Package Information".

PIN DESCRIPTION

PIN NO.	SYMBOL	NAME AND FUNCTION
1	\overline{MR}	asynchronous master reset (active LOW)
2	CP	clock input (LOW-to-HIGH, edge-triggered)
3, 4, 5, 6	D ₀ to D ₃	data inputs
7	CEP	count enable input
8	GND	ground (0 V)
9	\overline{PE}	parallel enable input (active LOW)
10	CET	count enable carry input
14, 13, 12, 11	Q ₀ to Q ₃	flip-flop outputs
15	TC	terminal count output
16	V _{CC}	positive supply voltage



Pre-settable synchronous BCD decade counter; asynchronous reset

74HC/HCT160

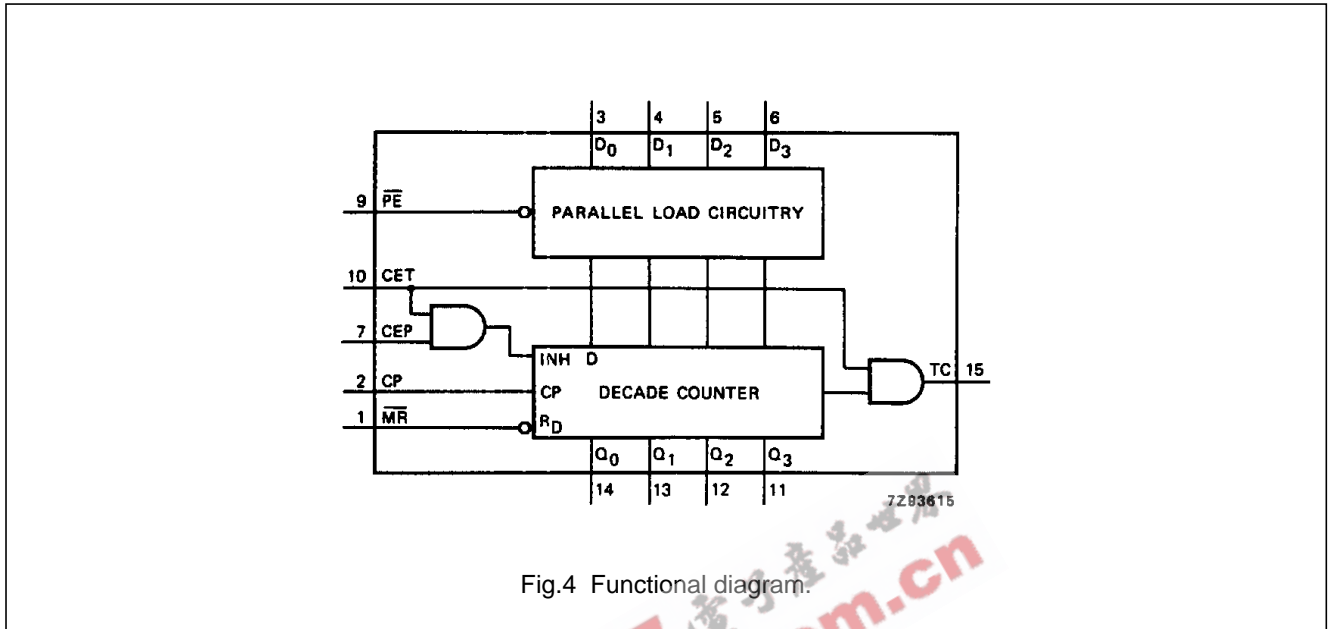


Fig.4 Functional diagram.

FUNCTION TABLE

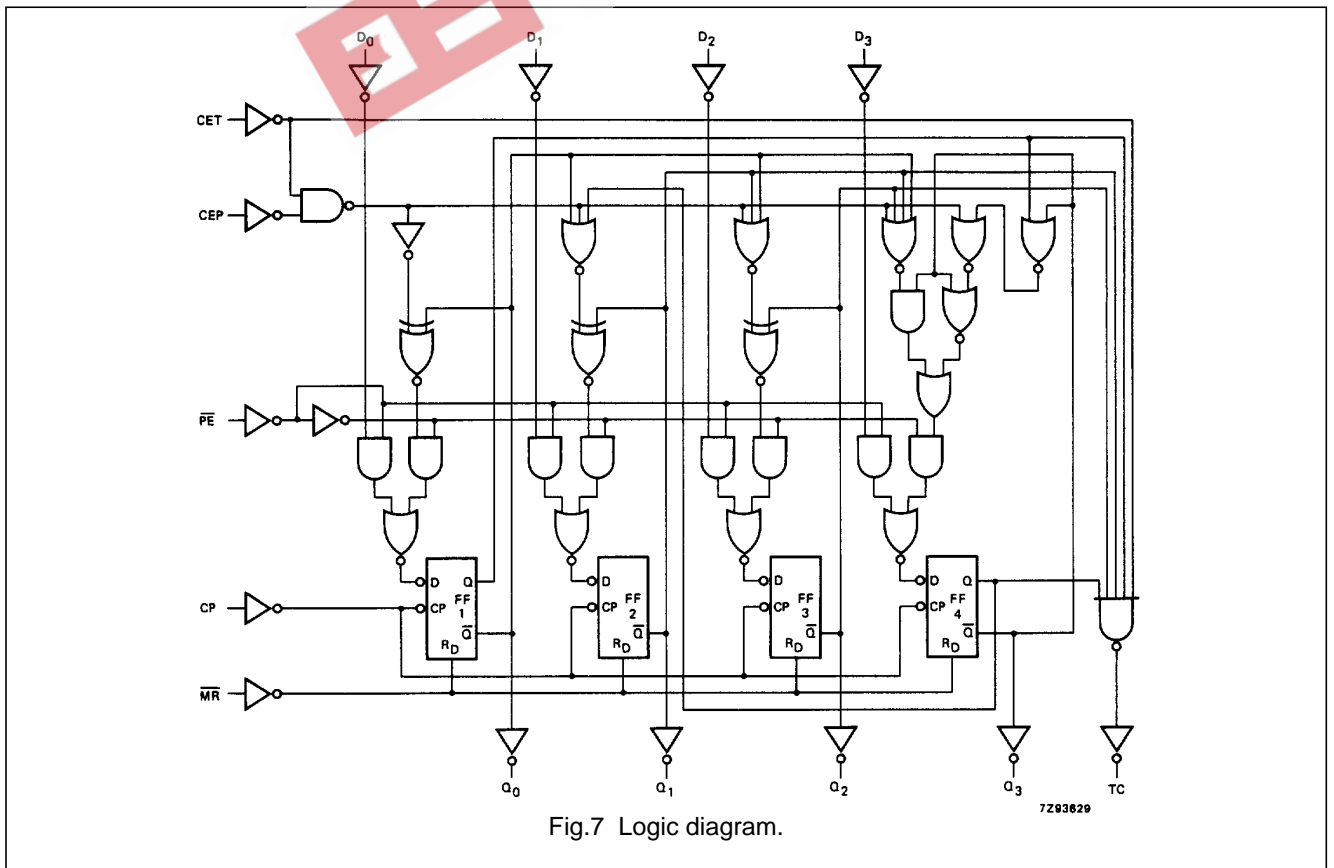
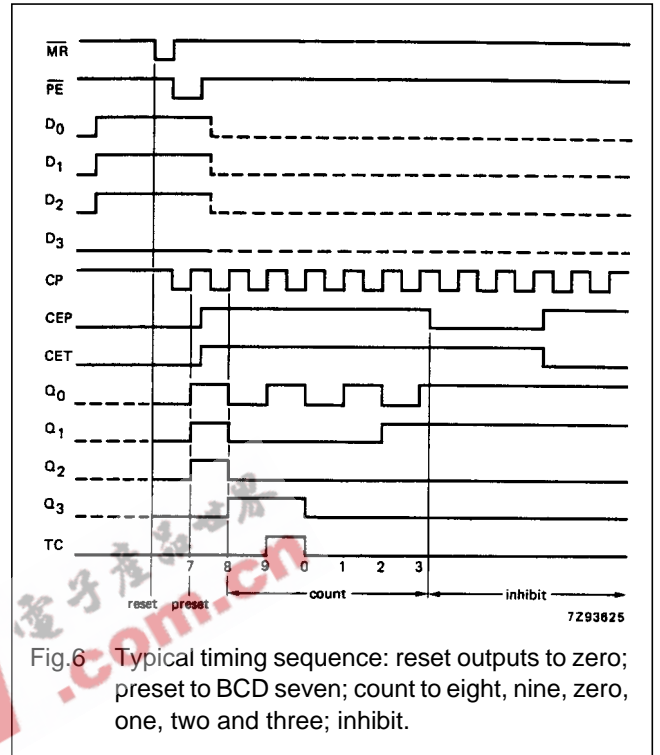
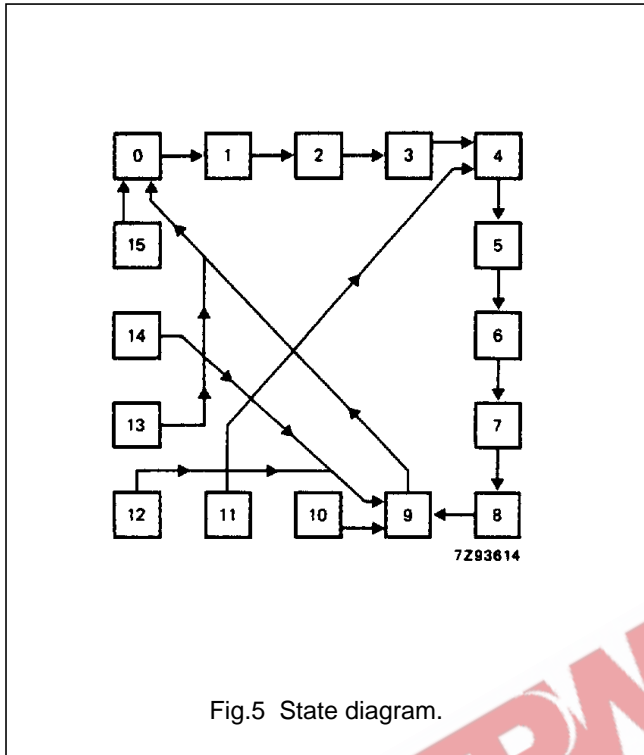
OPERATING MODE	INPUTS						OUTPUTS	
	MR	CP	CEP	CET	PE	D _n	Q _n	TC
reset (clear)	L	X	X	X	X	X	L	L
parallel load	H	↑	X	X	l	l	L	L
	H	↑	X	X	l	h	H	(1)
count	H	↑	h	h	h	X	count	(1)
hold (do nothing)	H	X	l	X	h	X	q _n	(1)
	H	X	X	l	h	X	q _n	L

Notes

- The TC output is HIGH when CET is HIGH and the counter is at terminal count (HLLH).
 H = HIGH voltage level
 h = HIGH voltage level one set-up time prior to the LOW-to-HIGH CP transition
 L = LOW voltage level
 l = LOW voltage level one set-up time prior to the LOW-to-HIGH CP transition
 q = lower case letters indicate the state of the referenced output one set-up time prior to the LOW-to-HIGH CP transition
 X = don't care
 ↑ = LOW-to-HIGH CP transition

Presettable synchronous BCD decade counter; asynchronous reset

74HC/HCT160



Presettable synchronous BCD decade counter; asynchronous reset

74HC/HCT160

DC CHARACTERISTICS FOR 74HC

For the DC characteristics see *"74HC/HCT/HCU/HCMOS Logic Family Specifications"*.

Output capability: standard

I_{CC} category: MSI

AC CHARACTERISTICS FOR 74HC

GND = 0 V; t_r = t_f = 6 ns; C_L = 50 pF

SYMBOL	PARAMETER	T _{amb} (°C)						UNIT	TEST CONDITIONS	
		74HC							V _{CC} (V)	WAVEFORMS
		+25			-40 to +85		-40 to +125			
		min.	typ.	max.	min.	max.	min.			
t _{PHL} / t _{PLH}	propagation delay CP to Q _n		61 22 18	185 37 31		230 46 39	280 56 48	ns	2.0 4.5 6.0	Fig. 8
t _{PHL} / t _{PLH}	propagation delay CP to TC		69 25 20	215 43 31		270 54 46	325 65 55	ns	2.0 4.5 6.0	Fig. 8
t _{PHL}	propagation delay $\overline{\text{MR}}$ to Q _n		69 25 20	210 42 36		265 53 45	315 63 54	ns	2.0 4.5 6.0	Fig. 9
t _{PHL}	propagation delay $\overline{\text{MR}}$ to TC		69 25 20	220 44 37		275 55 47	330 66 56	ns	2.0 4.5 6.0	Fig. 9
t _{PHL} / t _{PLH}	propagation delay CET to TC		47 17 14	150 30 26		190 38 33	225 45 38	ns	2.0 4.5 6.0	Fig. 10
t _{THL} / t _{TLH}	output transition time		19 7 6	75 15 13		95 19 16	110 22 19	ns	2.0 4.5 6.0	Figs 8 and 10
t _w	clock pulse width HIGH or LOW	80 16 14	22 8 6		100 20 17		120 24 20	ns	2.0 4.5 6.0	Fig. 8
t _w	master reset pulse width LOW	80 16 14	28 10 8		100 20 17		120 24 20	ns	2.0 4.5 6.0	Fig. 9
t _{rem}	removal time $\overline{\text{MR}}$ to CP	100 20 17	30 11 9		125 25 21		150 30 26	ns	2.0 4.5 6.0	Fig. 9
t _{su}	set-up time D _n to CP	80 16 14	22 8 6		100 20 17		120 24 20	ns	2.0 4.5 6.0	Fig. 11
t _{su}	set-up time $\overline{\text{PE}}$ to CP	135 27 23	41 15 12		170 34 29		205 41 35	ns	2.0 4.5 6.0	Fig. 11

Pre-settable synchronous BCD decade
counter; asynchronous reset

74HC/HCT160

SYMBOL	PARAMETER	T _{amb} (°C)						UNIT	TEST CONDITIONS	
		74HC							V _{CC} (V)	WAVEFORMS
		+25			-40 to +85		-40 to +125			
		min.	typ.	max.	min.	max.	min.			
t _{su}	set-up time CEP, CET to CP	200 40 34	63 23 18		250 50 43		300 60 51	ns	2.0 4.5 6.0	Fig. 12
t _h	hold time D _n to CP	0 0 0	-17 -6 -5		0 0 0		0 0 0	ns	2.0 4.5 6.0	Figs 11 and 12
t _h	hold time PE to CP	0 0 0	-41 -15 -12		0 0 0		0 0 0	ns	2.0 4.5 6.0	Figs 11 and 12
t _h	hold time CEP, CET to CP	0 0 0	-58 -21 -17		0 0 0		0 0 0	ns	2.0 4.5 6.0	Figs 11 and 12
f _{max}	maximum clock pulse frequency	6.0 30 35	18 55 66		4.8 24 28		4.0 20 24	MHz	2.0 4.5 6.0	Fig. 8

Presettable synchronous BCD decade counter; asynchronous reset

74HC/HCT160**DC CHARACTERISTICS FOR 74HCT**

For the DC characteristics see *"74HC/HCT/HCU/HCMOS Logic Family Specifications"*.

Output capability: standard

I_{CC} category: MSI

Note to HCT types

The value of additional quiescent supply current (ΔI_{CC}) for unit load of 1 is given in the family specifications. To determine ΔI_{CC} per input, multiply this value by the unit load coefficient shown in the table below.

INPUT	UNIT LOAD COEFFICIENT
\overline{MR}	0.95
CP	0.80
CEP	0.25
D_n	0.25
CET	1.05
\overline{PT}	0.30

EEPW.com.cn 电子产品世界

Presettable synchronous BCD decade counter; asynchronous reset

74HC/HCT160

AC CHARACTERISTICS FOR 74HCTGND = 0 V; $t_r = t_f = 6$ ns; $C_L = 50$ pF

SYMBOL	PARAMETER	T_{amb} (°C)							UNIT	TEST CONDITIONS	
		74HCT								V_{CC} (V)	WAVEFORMS
		+25			-40 to +85		-40 to +125				
		min.	typ.	max.	min.	max.	min.	max.			
t_{PHL}/t_{PLH}	propagation delay CP to Q_n		25	43		54		65	ns	4.5	Fig. 8
t_{PHL}	propagation delay CP to TC		28	48		60		72	ns	4.5	Fig. 8
t_{PLH}	propagation delay CP to TC		23	39		49		59	ns	4.5	Fig. 8
t_{PHL}	propagation delay MR to Q_n		27	50		63		75	ns	4.5	Fig. 9
t_{PHL}	propagation delay MR to TC		30	50		63		75	ns	4.5	Fig. 9
t_{PHL}	propagation delay CET to TC		17	35		44		53	ns	4.5	Fig. 10
t_{PLH}	propagation delay CET to TC		9	17		21		26	ns	4.5	Fig. 10
t_{THL}/t_{TLH}	output transition time		7	15		19		22	ns	4.5	Figs 8 and 10
t_W	clock pulse width HIGH or LOW	16	8		20		24		ns	4.5	Fig. 8
t_W	master reset pulse width LOW	20	11		25		30		ns	4.5	Fig. 9
t_{rem}	removal time MR to CP	20	9		25		30		ns	4.5	Fig. 9
t_{su}	set-up time D_n to CP	18	10		25		30		ns	4.5	Fig. 11
t_{su}	set-up time PE to CP	30	18		44		53		ns	4.5	Fig. 11
t_{su}	set-up time CEP, CET to CP	50	30		63		75		ns	4.5	Fig. 12
t_h	hold time D_n to CP	0	-8		0		0		ns	4.5	Figs 11 and 12
t_h	hold time PE to CP	0	-13		0		0		ns	4.5	Figs 11 and 12
t_h	hold time CEP, CET to CP	0	-21		0		0		ns	4.5	Figs 11 and 12
f_{max}	maximum clock pulse frequency	16	28		13		11		MHz	4.5	Fig. 8

PACKAGE OUTLINES

See "74HC/HCT/HCU/HCMOS Logic Package Outlines".