

DATA SHEET

EEPW 电子产品世界
.com.cn

74ALS257/74ALS258 Data selector/multiplexer

Product specification
IC05 Data Handbook

1991 Feb 08

Data selector/multiplexer

74ALS257/74ALS258

74ALS257 Quad 2-input data selector, non-inverting (3-State)

74ALS258 Quad 2-input data selector, inverting (3-State)

DESCRIPTION

The 74ALS257 is a quad 2-input multiplexer which selects 4 bits of data from one of two sources under the control of a common select input (S). The output enable input (\overline{OE}) is active when Low. When \overline{OE} is High, all of the outputs (Y_n) are forced to a High impedance state (3-State) regardless of all other input conditions.

Moving data from two registers to a common output bus is a typical use of the 74ALS257. The state of the select input determines the particular register from which data comes.

The device is the logic implementation of 4-pole, 2-position switch where the position of the switch is determined by the logic levels supplied to the select input. The 74ALS258 is similar but has inverting outputs (\overline{Y}_n).

TYPE	TYPICAL PROPAGATION DELAY	TYPICAL SUPPLY CURRENT (TOTAL)
74ALS257	7.0ns	7mA
74ALS258	7.0ns	7mA

ORDERING INFORMATION

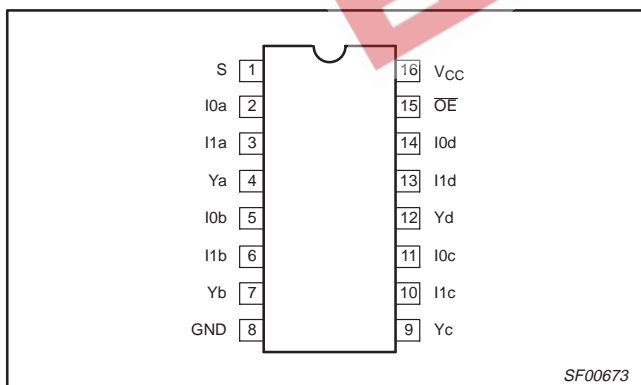
DESCRIPTION	ORDER CODE	DRAWING NUMBER
	COMMERCIAL RANGE $V_{CC} = 5V \pm 10\%$, $T_{amb} = 0^\circ C$ to $+70^\circ C$	
16-pin plastic DIP	74ALS257N, 74ALS258	SOT38-4
16-pin plastic SO	74ALS257D, 74ALS258D	SOT109-1
16-pin plastic SSOP Type II	74ALS257DB, 74ALS258DB	SOT338-1

INPUT AND OUTPUT LOADING AND FAN-OUT TABLE

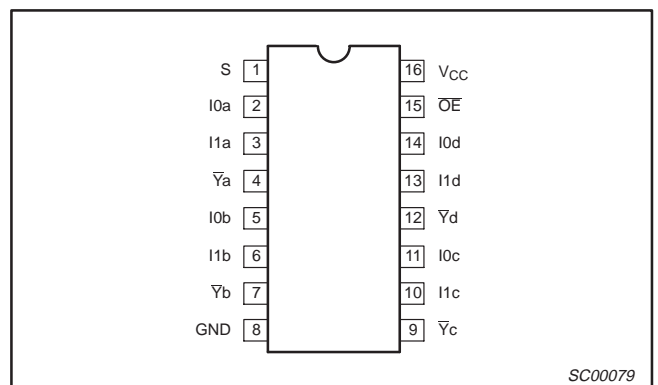
PINS	DESCRIPTION	74ALS (U.L.) HIGH/LOW	LOAD VALUE HIGH/LOW
I _{1a} , I _{1b} , I _{1c} , I _{1d}	Data inputs	1.0/1.0	20µA/0.1mA
S	Select input	1.0/1.0	20µA/0.1mA
\overline{OE}	Enable input	1.0/1.0	20µA/0.1mA
Y _a – Y _d , \overline{Y}_a – \overline{Y}_d	Data outputs	20/240	0.4mA/24mA

NOTE: One (1.0) ALS unit load is defined as: 20µA in the High state and 0.1mA in the Low state.

PIN CONFIGURATION – 74ALS257



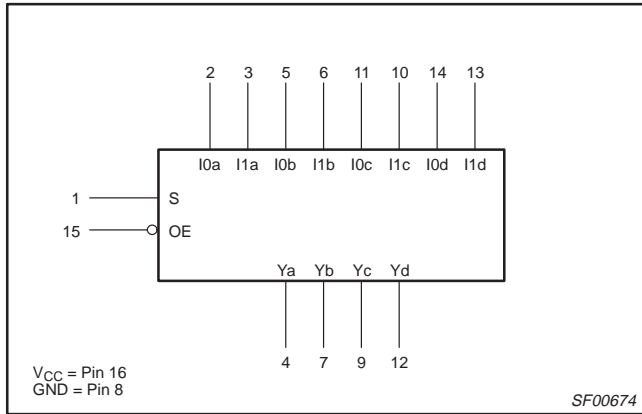
PIN CONFIGURATION – 74ALS258



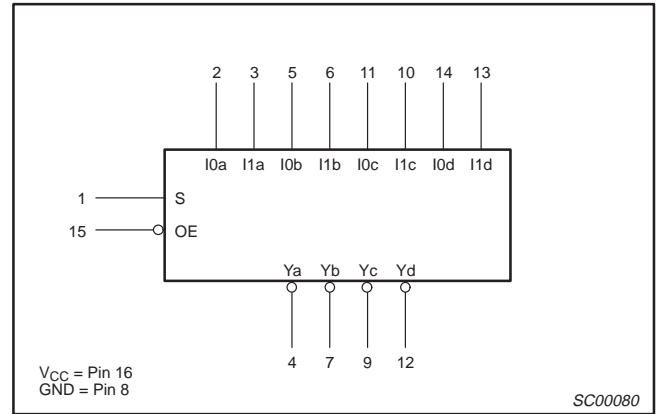
Data selector/multiplexer

74ALS257/74ALS258

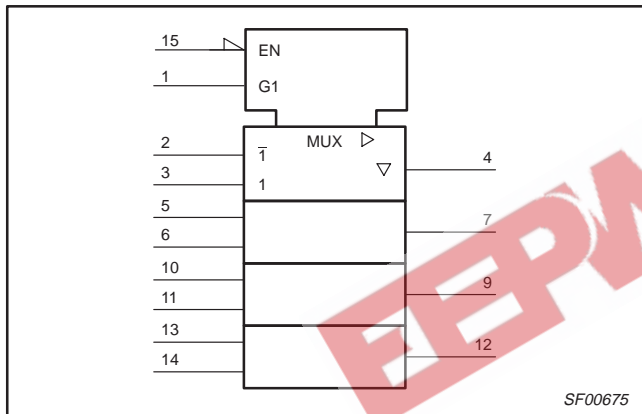
LOGIC SYMBOL – 74ALS257



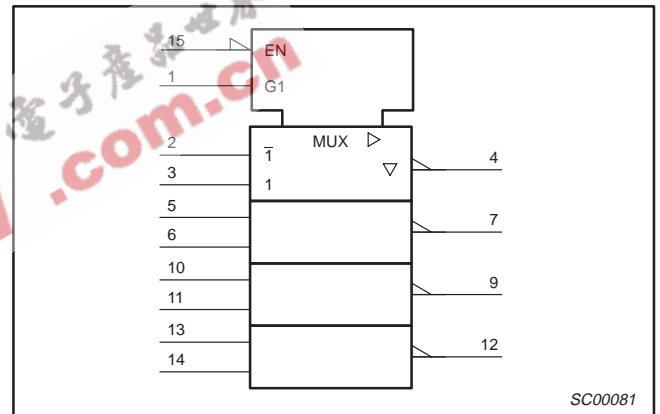
LOGIC SYMBOL – 74ALS258



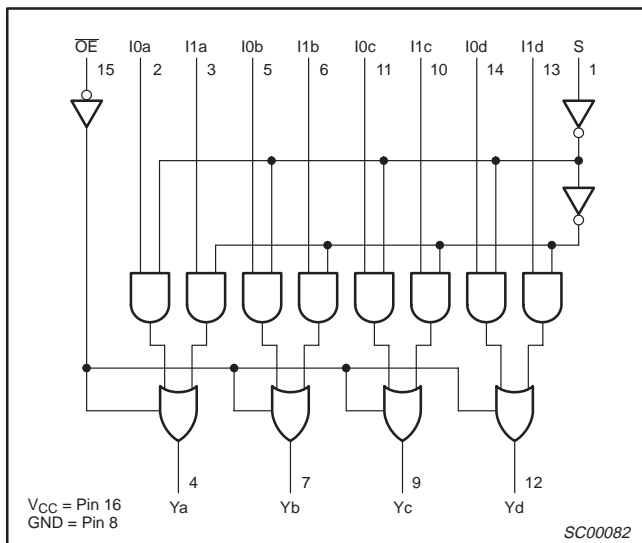
IEC/IEEE SYMBOL – 74ALS257



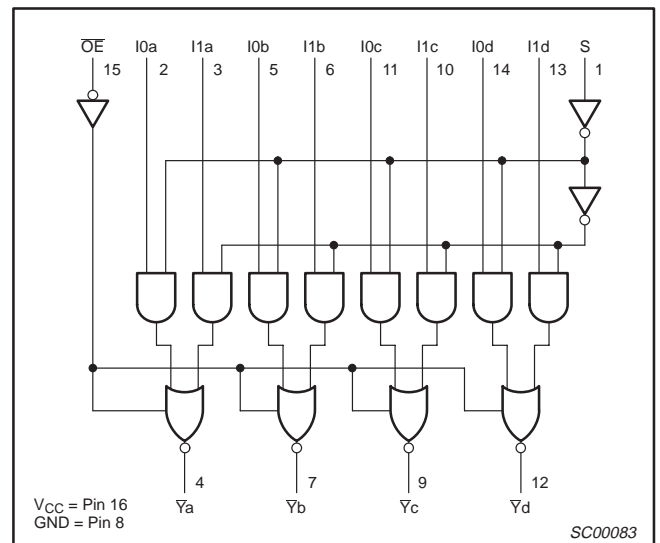
IEC/IEEE SYMBOL – 74ALS258



LOGIC DIAGRAM – 74ALS257



LOGIC DIAGRAM – 74ALS258



Data selector/multiplexer

74ALS257/74ALS258

FUNCTION TABLE – 74ALS257

INPUTS				OUTPUT
\overline{OE}	S	I0n	I1n	Yn
H	X	X	X	Z
L	L	L	X	L
L	L	H	X	H
L	H	X	L	L
L	H	X	H	H

H = High voltage level
 L = Low voltage level
 X = Don't care
 Z = High impedance "off" state

FUNCTION TABLE – 74ALS258

INPUTS				OUTPUT
\overline{OE}	S	I0n	I1n	\overline{Yn}
H	X	X	X	Z
L	L	L	X	H
L	L	H	X	L
L	H	X	L	H
L	H	X	H	L

H = High voltage level
 L = Low voltage level
 X = Don't care
 Z = High impedance "off" state

ABSOLUTE MAXIMUM RATINGS

(Operation beyond the limit set forth in this table may impair the useful life of the device.
 Unless otherwise noted these limits are over the operating free air temperature range.)

SYMBOL	PARAMETER	RATING	UNIT
V_{CC}	Supply voltage	-0.5 to +7.0	V
V_{IN}	Input voltage	-0.5 to +7.0	V
I_{IN}	Input current	-30 to +5	mA
V_{OUT}	Voltage applied to output in High output state	-0.5 to V_{CC}	V
I_{OUT}	Current applied to output in Low output state	48	mA
T_{amb}	Operating free-air temperature range	0 to +70	°C
T_{stg}	Storage temperature range	-65 to +150	°C

RECOMMENDED OPERATING CONDITIONS

SYMBOL	PARAMETER	LIMITS			UNIT
		MIN	NOM	MAX	
V_{CC}	Supply voltage	4.5	5.0	5.5	V
V_{IH}	High-level input voltage	2.0			V
V_{IL}	Low-level input voltage			0.8	V
I_{IK}	Input clamp current			-18	mA
I_{OH}	High-level output current			-2.6	mA
I_{OL}	Low-level output current			24	mA
T_{amb}	Operating free-air temperature range	0		+70	°C

Data selector/multiplexer

74ALS257/74ALS258

DC ELECTRICAL CHARACTERISTICS

(Over recommended operating free-air temperature range unless otherwise noted.)

SYMBOL	PARAMETER		TEST CONDITIONS ¹		LIMITS			UNIT	
					MIN	TYP ²	MAX		
V _{OH}	High-level output voltage		V _{CC} = ±10%, V _{IL} = MAX, V _{IH} = MIN	I _{OH} = -0.4mA	V _{CC} - 2			V	
				I _{OH} = MAX	2.4	3.2		V	
V _{OL}	Low-level output voltage		V _{CC} = MIN, V _{IL} = MAX, V _{IH} = MIN	I _{OL} = 12mA		0.25	0.40	V	
				I _{OL} = 24mA		0.35	0.50	V	
V _{IK}	Input clamp voltage		V _{CC} = MIN, I _I = I _{IK}			-0.73	-1.5	V	
I _I	Input current at maximum input voltage		V _{CC} = MAX, V _I = 7.0V				0.1	mA	
I _{IH}	High-level input current		V _{CC} = MAX, V _I = 2.7V				20	μA	
I _{IL}	Low-level input current		V _{CC} = MAX, V _I = 0.4V				-0.1	mA	
I _{OZH}	Off-state output current, High-level voltage applied		V _{CC} = MAX, V _I = 2.7V				20	μA	
I _{OZL}	Off-state output current, Low-level voltage applied		V _{CC} = MAX, V _I = 0.4V				-20	μA	
I _O	Output current ³		V _{CC} = MAX, V _O = 2.25V		-30		-112	mA	
I _{CC}	Supply current (total)		74ALS257	V _{CC} = MAX	I _{CCH}		3	6	mA
					I _{CCL}		8	12	mA
					I _{CCZ}		9	14	mA
			74ALS258		I _{CCH}		2.5	4	mA
					I _{CCL}		7	11	mA
					I _{CCZ}		9	13	mA

NOTES:

- For conditions shown as MIN or MAX, use the appropriate value specified under recommended operating conditions for the applicable type.
- All typical values are at V_{CC} = 5V, T_{amb} = 25°C.
- The output conditions have been chosen to produce a current that closely approximates one half of the true short-circuit output current, I_{OS}.

Data selector/multiplexer

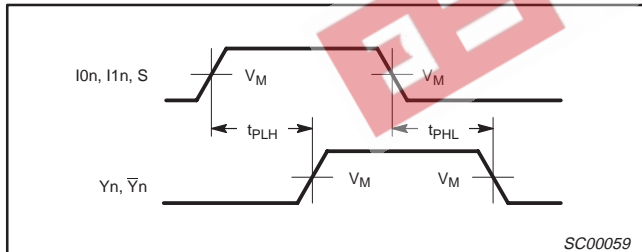
74ALS257/74ALS258

AC ELECTRICAL CHARACTERISTICS

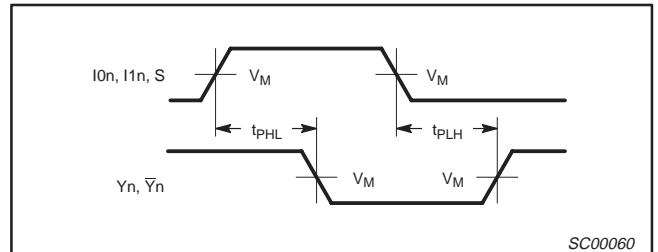
SYMBOL	PARAMETER	TEST CONDITION	LIMITS		UNIT
			$T_{amb} = 0^{\circ}\text{C to } +70^{\circ}\text{C}$ $V_{CC} = +5.0\text{V} \pm 10\%$ $C_L = 50\text{pF}, R_L = 500\Omega$		
			MIN	MAX	
t_{PLH} t_{PHL}	Propagation delay I0n or I1n to Yn	Waveform 1	2.0 2.0	9.0 9.0	ns
t_{PLH} t_{PHL}	Propagation delay S to Yn	Waveform 1, 2	4.0 4.0	12.0 12.0	ns
t_{PZH} t_{PZL}	Output enable time \overline{OE} to Yn	Waveform 3 Waveform 4	3.0 4.0	11.0 12.0	ns
t_{PHZ} t_{PLZ}	Output disable time \overline{OE} to Yn	Waveform 3 Waveform 4	2.0 5.0	9.0 12.0	ns
t_{PLH} t_{PHL}	Propagation delay I0n or I1n to \overline{Yn}	Waveform 1	2.0 2.0	8.0 8.0	ns
t_{PLH} t_{PHL}	Propagation delay S to \overline{Yn}	Waveform 1, 2	4.0 4.0	12.0 12.0	ns
t_{PZH} t_{PZL}	Output enable time \overline{OE} to \overline{Yn}	Waveform 3 Waveform 4	3.0 4.0	11.0 12.0	ns
t_{PHZ} t_{PLZ}	Output disable time \overline{OE} to \overline{Yn}	Waveform 3 Waveform 4	2.0 5.0	9.0 12.0	ns

AC WAVEFORMS

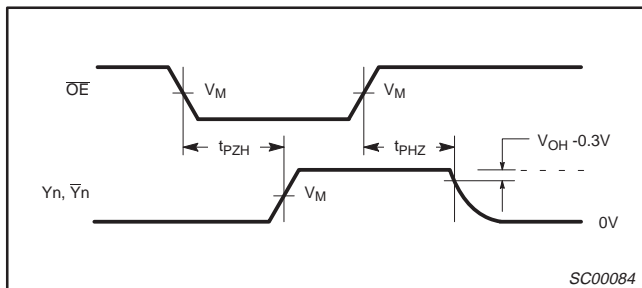
For all waveforms, $V_M = 1.3\text{V}$.



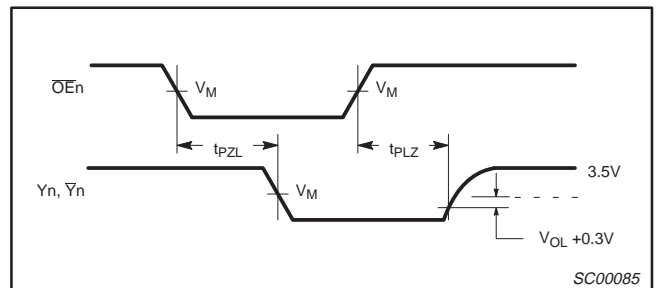
Waveform 1. Propagation Delay for Data and Select to Outputs



Waveform 2. Propagation Delay for Data and Select to Outputs



Waveform 3. 3-State Output Enable Time to High Level and Output Disable Time from High Level

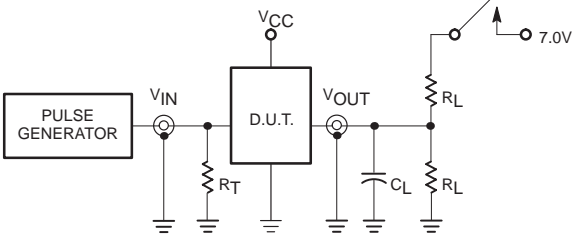


Waveform 4. 3-State Output Enable Time to Low Level and Output Disable Time from Low Level

Data selector/multiplexer

74ALS257/74ALS258

TEST CIRCUIT AND WAVEFORMS



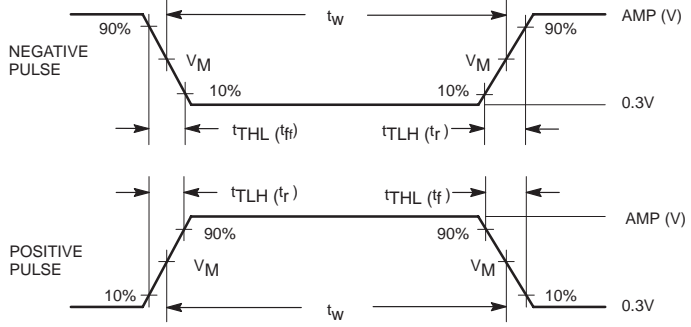
Test Circuit for 3-State Outputs

The test circuit consists of a PULSE GENERATOR connected to the input V_{IN} of a D.U.T. (Device Under Test). The input V_{IN} is terminated with a resistor R_T . The output V_{OUT} is connected to a load resistor R_L and a load capacitor C_L . The D.U.T. is powered by V_{CC} . A switch is connected to the output V_{OUT} and is set to 7.0V.

SWITCH POSITION

TEST	SWITCH
t_{PLZ} , t_{PZL}	closed
All other	open

DEFINITIONS:
 R_L = Load resistor; see AC electrical characteristics for value.
 C_L = Load capacitance includes jig and probe capacitance; see AC electrical characteristics for value.
 R_T = Termination resistance should be equal to Z_{OUT} of pulse generators.



Input Pulse Definition

The waveforms show the timing and amplitude of the input pulses. For a negative pulse, the amplitude is V_M (measured from 0.3V), and the pulse width is t_w . The rise and fall times are $t_{TLH}(t_r)$ and $t_{THL}(t_f)$ respectively. For a positive pulse, the amplitude is V_M (measured from 0.3V), and the pulse width is t_w . The rise and fall times are $t_{TLH}(t_r)$ and $t_{THL}(t_f)$ respectively.

INPUT PULSE REQUIREMENTS

Family	INPUT PULSE REQUIREMENTS					
	Amplitude	V_M	Rep.Rate	t_w	t_{TLH}	t_{THL}
74ALS	3.5V	1.3V	1MHz	500ns	2.0ns	2.0ns

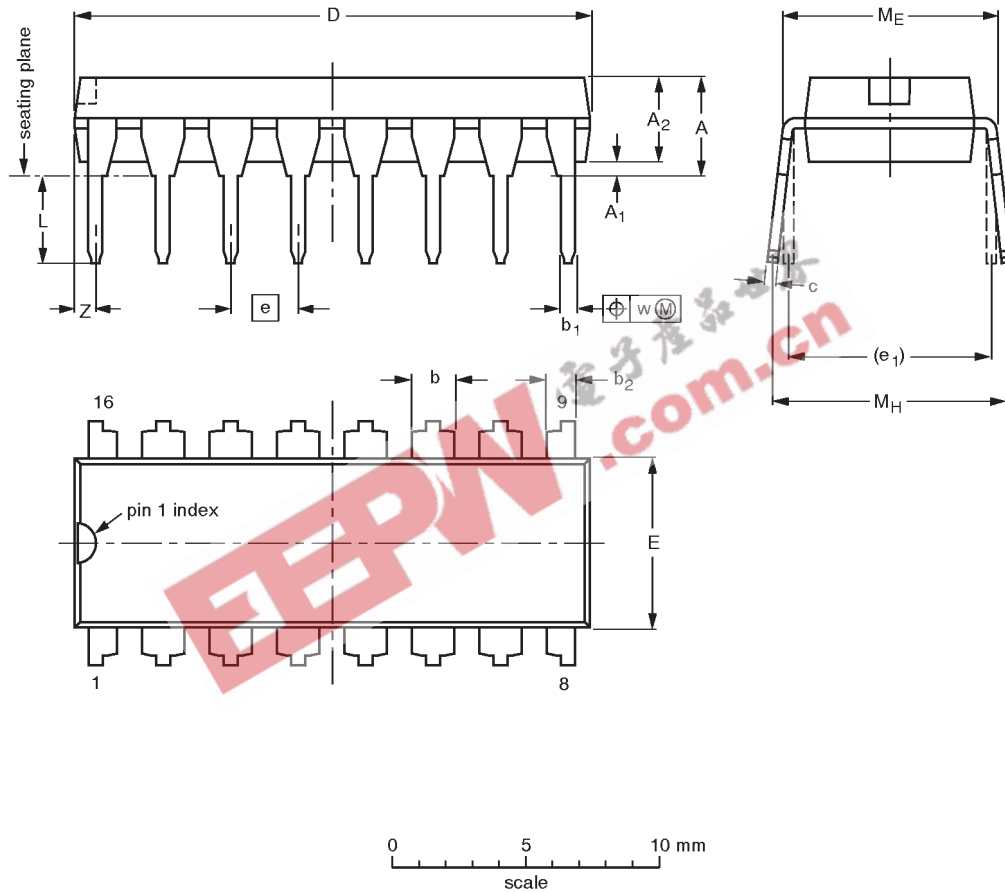
SC00072

Data selector/multiplexer

74ALS257/74ALS258

DIP16: plastic dual in-line package; 16 leads (300 mil)

SOT38-4



DIMENSIONS (inch dimensions are derived from the original mm dimensions)

UNIT	A max.	A ₁ min.	A ₂ max.	b	b ₁	b ₂	c	D ⁽¹⁾	E ⁽¹⁾	e	e ₁	L	M _E	M _H	w	z ⁽¹⁾ max.
mm	4.2	0.51	3.2	1.73 1.30	0.53 0.38	1.25 0.85	0.36 0.23	19.50 18.55	6.48 6.20	2.54	7.62	3.60 3.05	8.25 7.80	10.0 8.3	0.254	0.76
inches	0.17	0.020	0.13	0.068 0.051	0.021 0.015	0.049 0.033	0.014 0.009	0.77 0.73	0.26 0.24	0.10	0.30	0.14 0.12	0.32 0.31	0.39 0.33	0.01	0.030

Note

1. Plastic or metal protrusions of 0.25 mm maximum per side are not included.

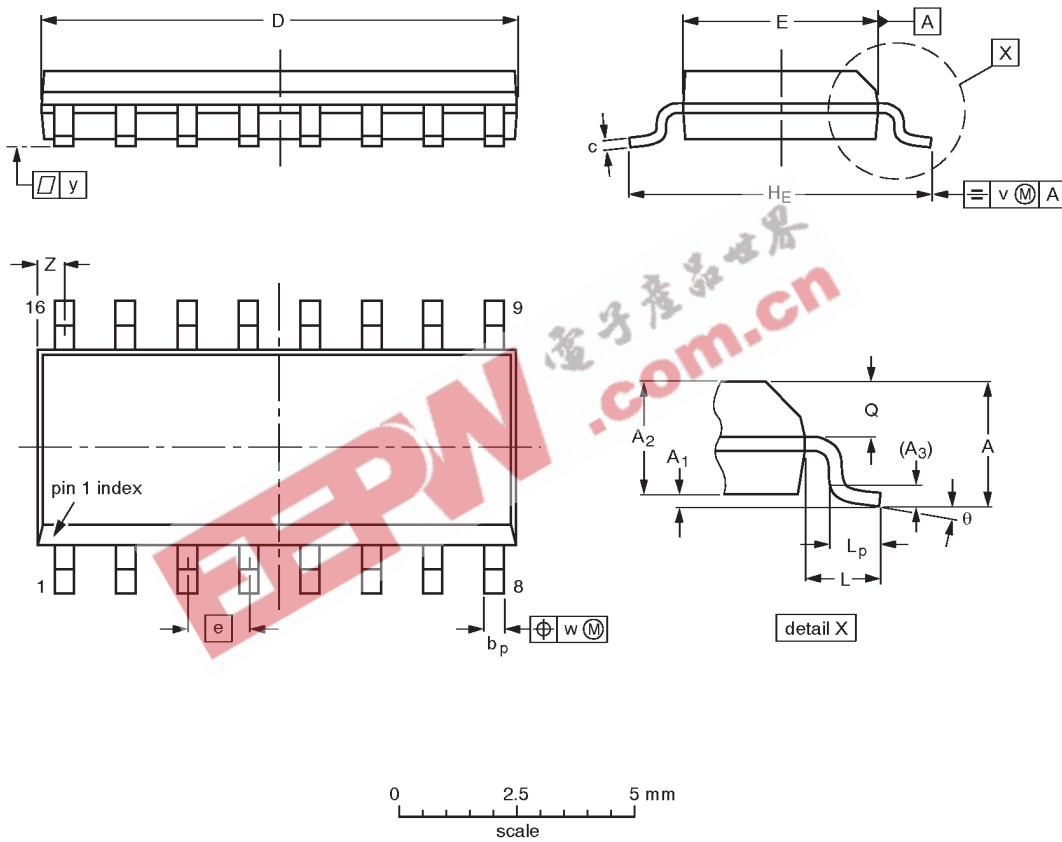
OUTLINE VERSION	REFERENCES				EUROPEAN PROJECTION	ISSUE DATE
	IEC	JEDEC	EIAJ			
SOT38-4						92-11-17 95-01-14

Data selector/multiplexer

74ALS257/74ALS258

SO16: plastic small outline package; 16 leads; body width 3.9 mm

SOT109-1



DIMENSIONS (inch dimensions are derived from the original mm dimensions)

UNIT	A max.	A ₁	A ₂	A ₃	b _p	c	D ⁽¹⁾	E ⁽¹⁾	e	H _E	L	L _p	Q	v	w	y	Z ⁽¹⁾	θ
mm	1.75	0.25 0.10	1.45 1.25	0.25	0.49 0.36	0.25 0.19	10.0 9.8	4.0 3.8	1.27	6.2 5.8	1.05	1.0 0.4	0.7 0.6	0.25	0.25	0.1	0.7 0.3	8° 0°
inches	0.069	0.0098 0.0039	0.057 0.049	0.01	0.019 0.014	0.0098 0.0075	0.39 0.38	0.16 0.15	0.050	0.24 0.23	0.041	0.039 0.016	0.028 0.020	0.01	0.01	0.004	0.028 0.012	

Note

1. Plastic or metal protrusions of 0.15 mm maximum per side are not included.

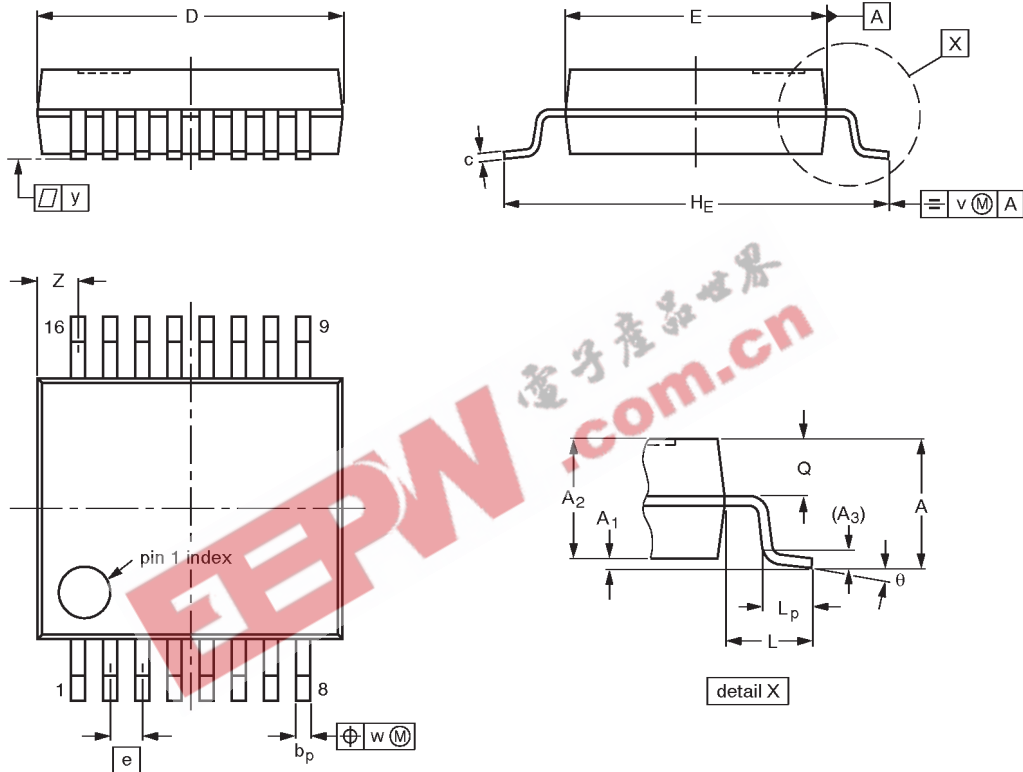
OUTLINE VERSION	REFERENCES				EUROPEAN PROJECTION	ISSUE DATE
	IEC	JEDEC	EIAJ			
SOT109-1	076E07S	MS-012AC				91-08-13 95-01-23

Data selector/multiplexer

74ALS257/74ALS258

SSOP16: plastic shrink small outline package; 16 leads; body width 5.3 mm

SOT338-1



DIMENSIONS (mm are the original dimensions)

UNIT	A max.	A ₁	A ₂	A ₃	b _p	c	D ⁽¹⁾	E ⁽¹⁾	e	H _E	L	L _p	Q	v	w	y	z ⁽¹⁾	θ
mm	2.0	0.21 0.05	1.80 1.65	0.25	0.38 0.25	0.20 0.09	6.4 6.0	5.4 5.2	0.65	7.9 7.6	1.25	1.03 0.63	0.9 0.7	0.2	0.13	0.1	1.00 0.55	8° 0°

Note

1. Plastic or metal protrusions of 0.25 mm maximum per side are not included.

OUTLINE VERSION	REFERENCES				EUROPEAN PROJECTION	ISSUE DATE
	IEC	JEDEC	EIAJ			
SOT338-1		MO-150AC				94-01-14 95-02-04

Data selector/multiplexer

74ALS257/74ALS258

DEFINITIONS

Data Sheet Identification	Product Status	Definition
<i>Objective Specification</i>	Formative or in Design	This data sheet contains the design target or goal specifications for product development. Specifications may change in any manner without notice.
<i>Preliminary Specification</i>	Preproduction Product	This data sheet contains preliminary data, and supplementary data will be published at a later date. Philips Semiconductors reserves the right to make changes at any time without notice in order to improve design and supply the best possible product.
<i>Product Specification</i>	Full Production	This data sheet contains Final Specifications. Philips Semiconductors reserves the right to make changes at any time without notice, in order to improve design and supply the best possible product.

Philips Semiconductors and Philips Electronics North America Corporation reserve the right to make changes, without notice, in the products, including circuits, standard cells, and/or software, described or contained herein in order to improve design and/or performance. Philips Semiconductors assumes no responsibility or liability for the use of any of these products, conveys no license or title under any patent, copyright, or mask work right to these products, and makes no representations or warranties that these products are free from patent, copyright, or mask work right infringement, unless otherwise specified. Applications that are described herein for any of these products are for illustrative purposes only. Philips Semiconductors makes no representation or warranty that such applications will be suitable for the specified use without further testing or modification.

LIFE SUPPORT APPLICATIONS

Philips Semiconductors and Philips Electronics North America Corporation Products are not designed for use in life support appliances, devices, or systems where malfunction of a Philips Semiconductors and Philips Electronics North America Corporation Product can reasonably be expected to result in a personal injury. Philips Semiconductors and Philips Electronics North America Corporation customers using or selling Philips Semiconductors and Philips Electronics North America Corporation Products for use in such applications do so at their own risk and agree to fully indemnify Philips Semiconductors and Philips Electronics North America Corporation for any damages resulting from such improper use or sale.

Philips Semiconductors
811 East Arques Avenue
P.O. Box 3409
Sunnyvale, California 94088-3409
Telephone 800-234-7381

© Copyright Philips Electronics North America Corporation 1997
All rights reserved. Printed in U.S.A.

Let's make things better.