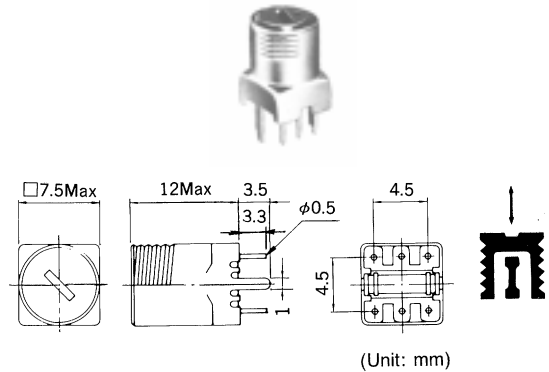


7mm TYPE 7P**Frequency Range:** 200kHz-2MHz**Inductance Range:** 10 μ H-2.6mH**Temperature Coefficient:** Inductor TC (L) 750 \pm 500ppm/ $^{\circ}$ C
With Internal Capacitor TC (F) 0 \pm 250ppm/ $^{\circ}$ C**Internal Capacitance Value:** 150-390pF⁽¹⁾**Features**

- Ideal for use as an AM IFT and in oscillator circuits.
- Unique design features a cup core adjuster, threaded directly into the shield can, allowing the use of larger cores. This produces the superior, large signal characteristics typically associated with 10mm types.

**STANDARD COILS SELECTION GUIDE**

(1) Cross slit core (Philips type) also available upon request.

TYPE 7P

| TOKO Part Number | Inductance Range (μ H) | Turns Ratio | | Q (min.) | Test Frequency (MHz) |
|------------------|-----------------------------|-------------|---------|----------|----------------------|
| | | 1-3/1-2 | 1-3/4-6 | | |
| 7BR-151208N2 | 150 \pm 8% | 65:2 | 65:8 | 60 | 1.4 |
| 7BR-271208N2 | 270 \pm 8% | 43:1 | 43:4 | 60 | 1.4 |
| 7BR-271308N2 | 270 \pm 8% | 86:3 | 43:4 | 60 | 1.4 |
| 7BR-331208N2 | 330 \pm 8% | 95:2 | 95:8 | 60 | 1.4 |
| 7BR-331308N2 | 330 \pm 8% | 95:3 | 95:8 | 60 | 1.4 |
| 7BR-361208N2 | 360 \pm 8% | 50:1 | 25:2 | 60 | 1.4 |
| 7BR-361308N2 | 360 \pm 8% | 100:3 | 25:2 | 60 | 1.4 |
| A7BRS-11859Z | 100 \pm 6% | | | 50 | 2.52 |
| A7BRS-T1860Z | 120 \pm 6% | | | 80 | 0.796 |
| A7BRS-T1861Z | 150 \pm 6% | | | 80 | 0.796 |
| A7BRS-T1862Z | 180 \pm 6% | | | 80 | 0.796 |
| A7BRS-T1863Z | 220 \pm 6% | | | 80 | 0.796 |
| A7BRS-T1864Z | 270 \pm 6% | | | 85 | 0.796 |
| A7BRS-T1865Z | 330 \pm 6% | | | 90 | 0.796 |
| A7BRS-T1866Z | 390 \pm 6% | | | 90 | 0.796 |
| A7BRS-T1867Z | 470 \pm 6% | | | 90 | 0.796 |
| A7BRS-T1868Z | 560 \pm 6% | | | 100 | 0.796 |
| A7BRS-T1869Z | 680 \pm 6% | | | 100 | 0.796 |
| A7BRS-T1870Z | 820 \pm 6% | | | 100 | 0.796 |
| A7BRS-T1871Z | 1000 \pm 6% | | | 100 | 0.796 |

TYPE 7P with Internal Capacitor

| TOKO Part Number | Tuning Capacitance (pf) | Turns Ratio | | Q (min.) | Test Frequency (kHz) |
|------------------|-------------------------|-------------|---------|----------|----------------------|
| | | 1-3/2-3 | 1-3/4-6 | | |
| 7LC-252142N0 | 180+5(ext) | 146:37 | 146:20 | 70 | 455 |
| 7LC-252203N0 | 180+5(ext) | 146:37 | 146:3 | 70 | 455 |
| 7LC-352142N0 | 180+5(ext) | 146:52 | 146:20 | 70 | 455 |
| 7LC-352203N0 | 180+5(ext) | 146:52 | 146:3 | 70 | 455 |
| 7LC-352353N0 | 180+5(ext) | 146:52 | 146:5 | 70 | 455 |
| 7LC-352503N0 | 180+5(ext) | 146:52 | 146:7 | 70 | 455 |
| 7LC-352713N0 | 180+5(ext) | 146:52 | 146:10 | 70 | 455 |
| 7LC-452503N0 | 180+5(ext) | 146:66 | 146:7 | 70 | 455 |
| 7MC-162503N0 | 180+5(ext) | 146:23 | 146:7 | 110 | 455 |
| 7MC-202503N0 | 180+5(ext) | 146:29 | 146:7 | 110 | 455 |
| 7MC-222162N0 | 180+5(ext) | 146:33 | 146:23 | 110 | 455 |
| 7MC-312162N0 | 180+5(ext) | 146:46 | 146:23 | 110 | 455 |
| 7MC-402353N0 | 180+5(ext) | 146:58 | 146:5 | 110 | 455 |
| 7MC-402503N0 | 180+5(ext) | 146:58 | 146:7 | 110 | 455 |
| 7MC-402563N0 | 180+5(ext) | 146:58 | 146:8 | 110 | 455 |
| 7MC-452252N0 | 180+5(ext) | 146:66 | 146:37 | 110 | 455 |
| 7MC-502503N0 | 180+5(ext) | 146:73 | 146:7 | 110 | 455 |