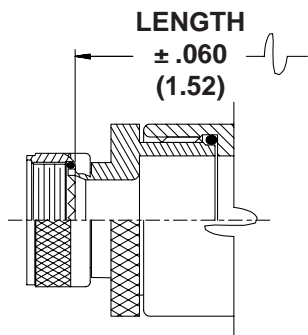
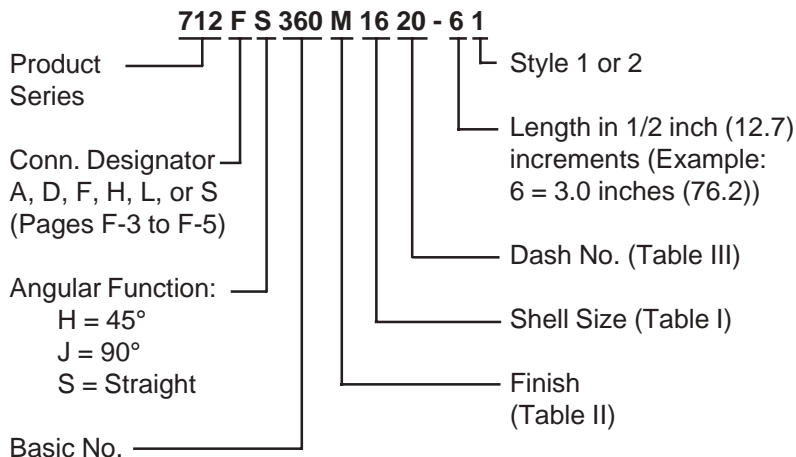




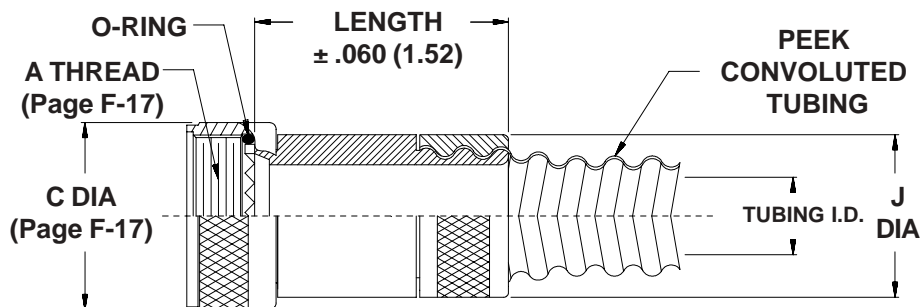
712-360 - Type A
Straight, 45° & 90° Non-Environmental User-Installable
Connector Fitting for PEEK Series 74 Helical Convulsed Tubing

**TYPE
A**

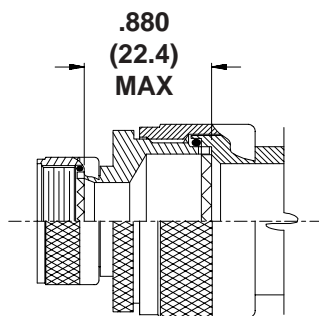
For use with PEEK
convulsed tubing
only - Part number
120-100-1-1-XX
(page D-3).



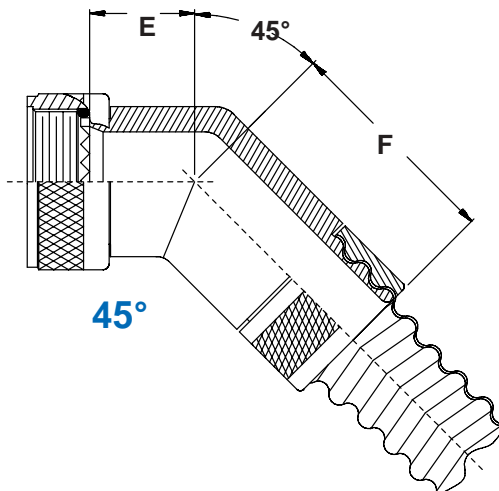
**STYLE 2
STRAIGHT**



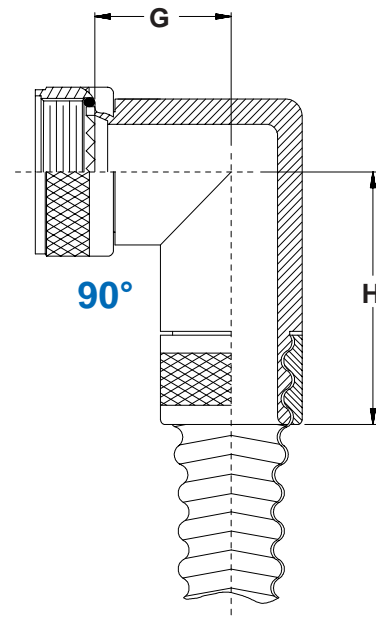
STRAIGHT



**STYLE 2
45° & 90°**



45°



90°

712-360 - Type A
Straight, 45° & 90° Non-Environmental User-Installable
Connector Fitting for PEEK Series 74 Helical Convuluted Tubing



SHELL SIZE		E	F	G	H
A,D, F,L,S	H	MAX	MAX	MAX	MAX
08	09	.639 (16.2)	.950 (24.1)	.750 (19.1)	1.060 (26.9)
10	11	.664 (16.9)	.980 (24.9)	.810 (20.6)	1.120 (28.4)
12	13	.688 (17.5)	1.000 (25.4)	.870 (22.1)	1.180 (30.0)
14	15	.705 (17.9)	1.030 (26.2)	.920 (23.4)	1.250 (31.8)
16	17	.732 (18.6)	1.050 (26.7)	.980 (24.9)	1.310 (33.3)
18	19	.748 (19.0)	1.060 (26.9)	1.020 (25.9)	1.330 (33.8)
20	21	.773 (19.6)	1.080 (27.4)	1.080 (27.4)	1.390 (35.3)
22	23	.800 (20.3)	1.120 (28.4)	1.140 (29.0)	1.470 (37.3)
24	25	.823 (20.9)	1.150 (29.2)	1.200 (30.5)	1.540 (39.1)
28	--	1.041 (26.4)	1.320 (33.5)	1.480 (37.6)	1.780 (45.2)
32	--	1.092 (27.7)	1.360 (34.5)	1.610 (40.9)	1.870 (47.5)
36	--	1.138 (28.9)	1.410 (35.8)	1.720 (43.7)	1.980 (50.3)

SYMBOL	FINISH
B	Olive Drab over Cadmium Plate
J	Gold Iridite over Cadmium Plate over Nickel
M	Electroless Nickel
N	Olive Drab over Cadmium Plate over Nickel
NC	Zinc-Cobalt, Olive Drab
NF	Olive Drab over Cadmium Plate over Electroless Nickel (500 Hour Salt Spray)
T	Bright Dip Cadmium Plate over Nickel

DASH NO.	TUBING I.D.		J
	MIN	MAX	MAX
06	.181 (4.6)	.187 (4.7)	.720 (18.3)
09	.273 (6.9)	.281 (7.1)	.821 (20.9)
12	.364 (9.2)	.375 (9.5)	.915 (23.2)
16	.485 (12.3)	.500 (12.7)	1.040 (26.4)
20	.608 (15.4)	.625 (15.9)	1.165 (29.6)
24	.730 (18.5)	.750 (19.1)	1.290 (32.8)
32	.975 (24.8)	1.000 (25.4)	1.540 (39.1)
40	1.210 (30.7)	1.250 (31.8)	1.790 (45.5)
48	1.471 (37.4)	1.500 (38.1)	2.040 (51.8)
56	1.721 (42.9)	1.750 (44.5)	2.290 (58.2)
64	1.971 (49.2)	2.000 (50.8)	2.540 (64.5)

NOTES:

1. When tubing I.D. max exceeds inside diameter of connector shell, style 2 may be supplied. Refer to pages F-15 and F-16.
2. Metric dimensions (mm) are in parentheses.
3. Tubing shown for reference only.
4. O-Ring not supplied with Connector Designator A.