

712-475 Composite Conduit Bulkhead Feed-Through Adapter for Environmental or Non-Environmental Series 74 PEEK or Standard Tubing

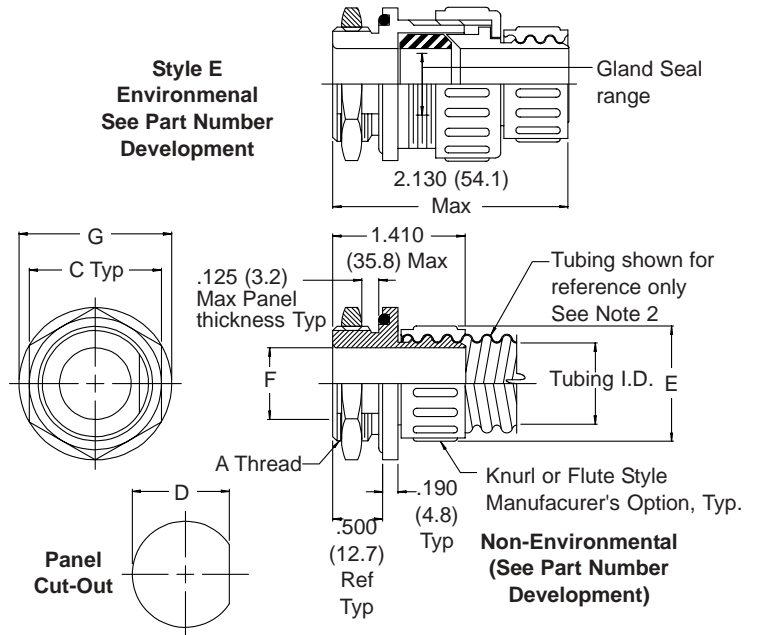
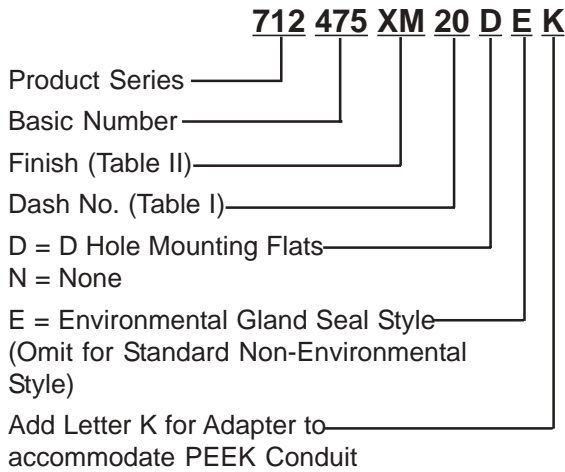


Table I

| Dash No. | A Thread Class 2A | B +.015 (0.4) -.000 (0.0) | C Across Flats | D +.000 (0.0) -.015 (0.4) | E Max | F Min | G Max | Tubing I.D. | | Gland Seal Range | |
|----------|-------------------|---------------------------------|-------------------|---------------------------------|--------------|--------------|--------------|--------------|--------------|------------------|--------------|
| | | | | | | | | Min | Max | Min | Max |
| 06 | M16 x 1.0 | .640 (16.3) | .875 (22.2) | .595 (15.1) | .500 (12.7) | .162 (4.1) | 1.020 (25.9) | .181 (4.6) | .187 (4.7) | .156 (4.0) | .250 (6.4) |
| 09 | M16 x 1.0 | .640 (16.3) | .875 (22.2) | .595 (15.1) | .600 (15.2) | .244 (6.2) | 1.020 (25.9) | .273 (6.9) | .281 (7.1) | .156 (4.0) | .250 (6.4) |
| 10 | M16 x 1.0 | .640 (16.3) | .875 (22.2) | .595 (15.1) | .630 (16.0) | .274 (7.0) | 1.020 (25.9) | .306 (7.8) | .312 (7.9) | .156 (4.0) | .250 (6.4) |
| 12 | M16 x 1.0 | .640 (16.3) | .875 (22.2) | .595 (15.1) | .700 (17.8) | .326 (8.3) | 1.020 (25.9) | .364 (9.2) | .375 (9.5) | .188 (4.8) | .312 (7.9) |
| 14 | M20 x 1.0 | .802 (20.4) | 1.062 (27.0) | 1.752 (44.5) | .760 (19.3) | .382 (9.7) | 1.180 (30.0) | .427 (10.8) | .437 (11.1) | .250 (6.4) | .438 (11.1) |
| 16 | M20 x 1.0 | .802 (20.4) | 1.062 (27.0) | 1.752 (44.5) | .850 (21.6) | .434 (11.0) | 1.180 (30.0) | .485 (12.3) | .500 (1.3) | .250 (6.4) | .438 (11.1) |
| 20 | M27 x 1.0 | 1.078 (27.4) | 1.312 (33.3) | 1.069 (27.2) | .970 (24.6) | .539 (13.7) | 1.450 (36.8) | .608 (15.4) | .625 (15.9) | .375 (9.5) | .625 (15.9) |
| 24 | 1-20 UNEF | 1.005 (25.5) | 1.312 (33.3) | .937 (23.8) | 1.140 (29.0) | .649 (16.5) | 1.390 (35.3) | .730 (18.5) | .750 (19.1) | .375 (9.5) | .625 (15.9) |
| 28 | M27 x 1.0 | 1.078 (27.4) | 1.312 (33.3) | 1.029 (26.1) | 1.280 (32.5) | .769 (19.5) | 1.450 (36.8) | .860 (21.8) | .875 (22.2) | .438 (11.1) | .750 (19.1) |
| 32 | M36 x 1.0 | 1.437 (36.5) | 1.750 (44.5) | 1.403 (35.6) | 1.450 (36.8) | .868 (22.0) | 1.810 (46.0) | .975 (24.8) | 1.000 (25.4) | .625 (15.9) | .938 (23.8) |
| 40 | 1 1/2 -18 UNEF | 1.505 (38.2) | 1.750 (44.5) | 1.437 (36.5) | 1.760 (44.7) | 1.078 (27.4) | 1.890 (48.0) | 1.210 (30.7) | 1.250 (31.8) | .875 (22.2) | 1.250 (31.8) |
| 48 | 1 3/4 -18 UNEF | 1.755 (44.6) | 2.000 (50.8) | 1.687 (42.8) | 2.060 (52.3) | 1.200 (30.5) | 2.140 (54.4) | 1.437 (36.5) | 1.500 (38.1) | 1.000 (25.4) | 1.375 (34.9) |
| 56 | 2 -18 UNS | 2.005 (50.9) | 2.250 (57.2) | 1.937 (49.2) | 2.390 (60.7) | 1.400 (35.6) | 2.390 (60.7) | 1.688 (42.9) | 1.750 (44.5) | 1.250 (31.8) | 1.625 (41.3) |
| 64 | 2 1/4 -16 UN | 2.255 (57.3) | 2.500 (63.5) | 2.187 (55.5) | 2.570 (65.3) | 1.600 (40.6) | 2.640 (67.1) | 2.937 (74.6) | 2.000 (50.8) | 1.250 (31.8) | 1.625 (41.3) |

Table II

| | |
|----|--|
| XM | Electroless Nickel |
| XW | Cadmium Olive Drab Over Electroless Nickel |
| XB | No Plating - Black Material |
| XO | No Plating - Base Material Non-conductive |

NOTES:

1. Metric dimensions (mm) are in parentheses and are for reference only.
2. Convulved tubing size, tubing to be ordered separately (See Page I-23).