



74HC373

Octal Transparent D-type Latches With 3-State Outputs

GENERAL DESCRIPTION

74HC373 is fabricated with high-speed silicon gate CMOS technology. It has the high noise immunity and low power consumption of standard CMOS integrated circuits.

The eight latches in 74HC373 devices are transparent D-type latches. While the latch-enable (LE) input is high, the Q outputs follow the data (D) inputs. When LE is low, the Q outputs are latched at the levels that were set up at the D inputs.

An output-enable input (\overline{OE}) makes the eight outputs in either a normal logic state (high or low logic levels) or the high-impedance state. In the high-impedance state, the outputs neither load nor drive the bus lines significantly. The high-

impedance state and increased drive provide the capability to drive bus lines without interface or pull-up components.

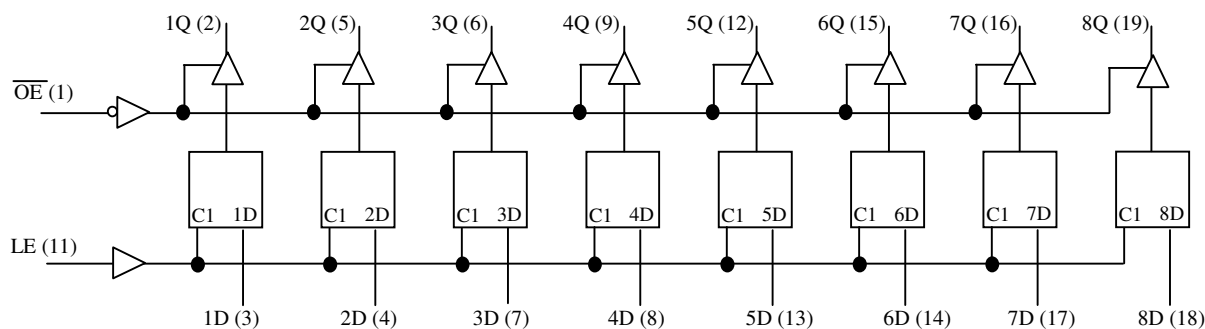
\overline{OE} does not affect the internal operations of the latches. Old data can be retained or new data can be entered while the outputs are off.

These 8-bit latches with 3-state outputs are designed specifically for driving highly capacitive or relatively low-impedance loads. They are particularly suitable for implementing buffer registers, I/O ports, bi-directional bus drivers, and working registers.

FEATURES

- Wide operating supply voltage range: 2-6V
- 8 high-current latches with 3-state outputs in a single package
- Full parallel access for loading
- Low input current: 1 μ A (Max.)
- Low power consumption: 80 μ A (Max.)

LOGIC DIAGRAM



FUNCTIONAL DESCRIPTION

Truth Table

Inputs			Outputs
\overline{OE}	LE	D	Q
L	H	H	H
L	H	L	L
L	L	X	Q ₀
H	X	X	Z

H = High Level (steady state). L= Low Level (steady state)

X = Irrelevant (any input, including transitions)

ABSOLUTE MAXIMUM RATINGS

Parameter	Value	Unit
DC supply voltage (V _{CC})	- 0.5 ~ + 7.0	V
DC input or output Voltage (V _{IN} , V _{OUT})	-0.5 to V _{CC} +0.5	V
DC Current Drain per pin, any output (I _{out})	±35	mA
DC Current per pin, V _{CC} or GND (I _{CC})	±70	mA
Storage Temperature(T _{STG})	-65 ~ +150	°C

Note: 1. Absolute maximum ratings are those values beyond which the safety of the device cannot be guaranteed.

RECOMMENDED OPERATING CONDITONS

Parameter		Min.	Normal	Max.	Unit
V _{CC}	Supply Voltage	2.0	5.0	6.0	V
V _{IH}	High-level Input Voltage	V _{CC} = 2.0V V _{CC} = 4.5V V _{CC} = 6.0V	1.5 3.15 4.2		V
V _{IL}	Low-level Input Voltage	V _{CC} = 2.0V V _{CC} = 4.5V V _{CC} = 6.0V		0.5 1.35 1.8	V
V _I	Input Voltage	0		V _{CC}	V
V _O	Output Voltage	0		V _{CC}	V
Operating Temperature (TA)	74HC373	-40		+85	°C
Input Rise/Fall Times (tr, tf)	V _{CC} = 2.0V V _{CC} = 4.5V V _{CC} = 6.0V			1000 500 400	ns

Note: 2. All unused inputs of the device must be held at V_{CC} or GND to ensure proper device operation.

DC ELECTRICAL CHARACTERISTICS

(apply across temperature range unless otherwise specified)

Parameter	Test Conditions	V _{CC}	T _A =25°C		-40 ~ +85		Unit
			Min.	Typ.	Max.	Min.	
V _{OH}	V _I =V _{IH} or V _{IL}	I _{OH} = -20uA	2V	1.9	1.998	1.9	V
			4.5V	4.4	4.499	4.4	
		6V	5.9	5.999	5.9		
		I _{OH} = -6mA	4.5V	3.98	4.3	3.84	
		I _{OH} =-7.8mA	6V	5.48	5.8	5.34	
V _{OL}	V _I =V _{IH} or V _{IL}	I _{OL} = 20uA	2V	0.002	0.1	0.1	V
			4.5V	0.001	0.1	0.1	
			6V	0.001	0.1	0.1	
		I _{OL} = 6mA	4.5V	0.17	0.26	0.33	
		I _{OL} = 7.8mA	6V	0.15	0.26	0.33	
I _I	V _I = V _{CC} or 0	6V	±0.1	±100	±1000	nA	
I _{OZ}	V _O = V _{CC} or 0	6V	±0.01	±0.5	±5	µA	
I _{CC}	V _I = V _{CC} or 0, I _O = 0	6V		8	80	µA	
C _i		2V~6V	3	10	10	pF	

TIMING REQUIREMENTS OVER RECOMMENDED OPERATING TEMPERATURE

(unless otherwise specified)

Parameter		V _{DD}	T _A = 25°C		-40 ~ +85		Unit
			Min	Max	Min	Max	
tw	Pulse duration, LE high	2.0 V	80		100	ns	
		4.5V	16		20		
		6.0 V	14		17		
tsu	Setup time, data before LE ↓	2.0 V	50		63	ns	
		4.5V	10		13		
		6.0 V	9		11		
th	Hold time, data after LE ↓	2.0 V	20		24	ns	
		4.5V	10		12		
		6.0 V	10		12		

AC ELECTRICAL CHARACTERISTICS OVER RECOMMENDED OPERATING TEMPERATURE, CL = 50 pF

(unless otherwise specified)

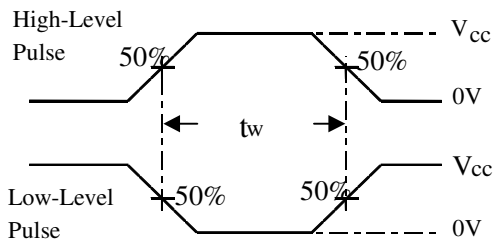
Parameter	From (Input)	To (Output)	V _{DD}	T _A = 25°C			-40 ~ +85		Unit
				Min	Typ	Max	Min	Max	
tpd	D	Q	2.0 V		58	150		190	ns
			4.5V		15	30		38	
			6.0 V		13	26		32	
	LE	Any Q	2.0 V		73	175		220	
			4.5V		18	35		44	
			6.0 V		15	30		38	
ten	$\overline{\text{OE}}$	Any Q	2.0 V		65	150		190	ns
			4.5V		17	30		38	
			6.0 V		14	26		32	
tdis	$\overline{\text{OE}}$	Any Q	2.0 V		50	150		190	
			4.5V		15	30		38	
			6.0 V		13	26		32	
t _t		Any Q	2.0 V		28	60		75	ns
			4.5V		8	12		15	
			6.0 V		6	10		13	

AC ELECTRICAL CHARACTERISTICS OVER RECOMMENDED OPERATING TEMPERATURE, CL = 150 pF

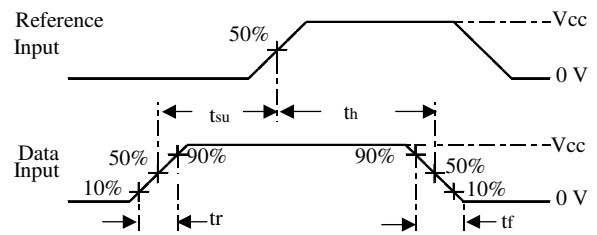
(unless otherwise specified)

Parameter	From (Input)	To (Output)	V _{DD}	T _A = 25°C			-40 ~ +85		Unit
				Min	Typ	Max	Min	Max	
tpd	D	Q	2.0 V		82	200		250	ns
			4.5V		22	40		50	
			6.0 V		19	34		43	
	LE	Any Q	2.0 V		100	225		285	
			4.5V		24	45		57	
			6.0 V		20	38		48	
ten	— OE	Any Q	2.0 V		90	200		250	ns
			4.5V		23	40		50	
			6.0 V		19	34		43	
t _t		Any Q	2.0 V		45	210		265	ns
			4.5V		17	42		53	
			6.0 V		13	36		45	

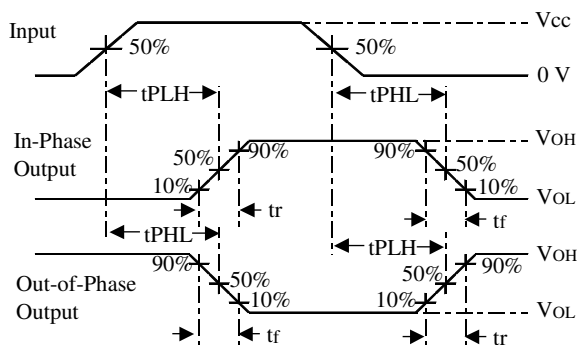
AC SWITCHING WAVEFORM AND AC TEST CIRCUIT



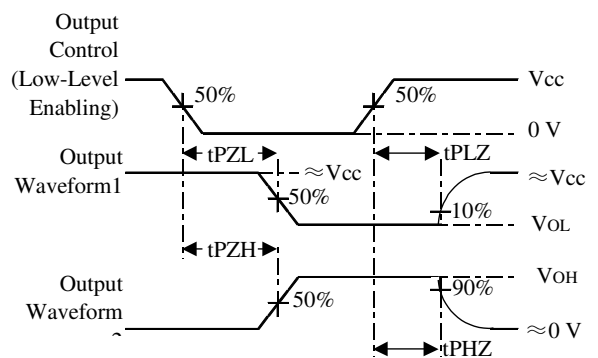
Voltage Waveforms
Pulse Durations



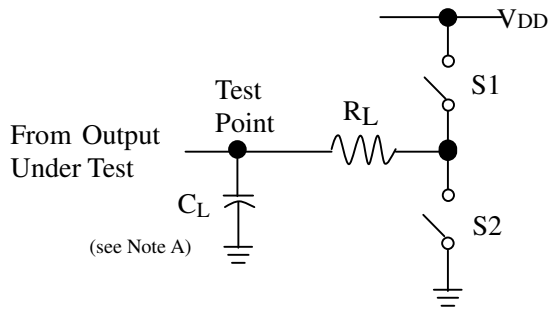
Voltage Waveforms
Setup & Hold and Input Rise & Fall Times



Voltage Waveforms
Propagation Delay and Output Transition Times



Voltage Waveforms
Enable and Disable Times for 3-State Outputs

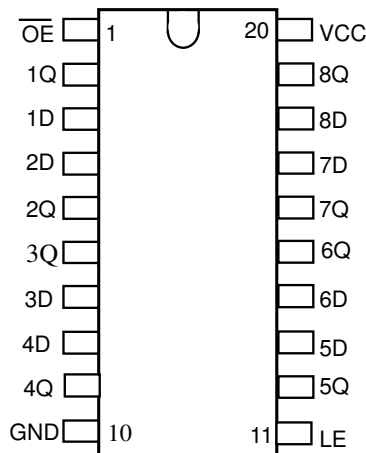


Parameter		R_L	C_L	S1	S2
t_{en}	t_{pZH}	$1k\ \Omega$	50 pF or 150 pF	Open	Closed
	t_{pZL}			Closed	Open
t_{dis}	t_{pHZ}	$1k\ \Omega$	50 pF	Open	Closed
	t_{pLZ}			Closed	Open
t_{pd} or t_t		-	50 pF or 150 pF	Open	Open

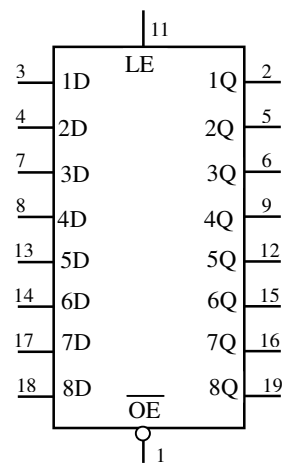
- Notes:**
- A. C_L includes probe and test-fixture capacitance.
 - B. Waveform 1 is for an output with internal conditions such that the output is low except when disabled by the output control.
Waveform 2 is for an output with internal conditions such that the output is high except when disabled by the output control.
 - C. Phase relationships between waveforms were chosen arbitrarily. All input pulses are supplied by generators having the following characteristics:
 $PRR \leq 1\text{ MHz}$, $Z_o = 50\ \Omega$, $t_r = 6\text{ ns}$, $t_f = 6\text{ ns}$.
 - D. The outputs are measured one at a time with one input transition per measurement.
 - E. t_{pLZ} and t_{pHZ} are the same as t_{dis} .
 - F. t_{pZL} and t_{pZH} are the same as t_{en} .
 - G. t_{pLH} and t_{pHL} are the same as t_{pd} .

PIN DESCRIPTION

PIN NO.	SYMBOL	DESCRIPTION
3, 4, 7, 8, 13, 14, 17, 18	1D - 8D	Data Inputs
2, 5, 6, 9, 12, 15, 16, 19	1Q - 8Q	Outputs
10	GND	Ground (0V)
1	\overline{OE}	Output-enable
11	LE	latch-enable
20	VCC	Positive power supply

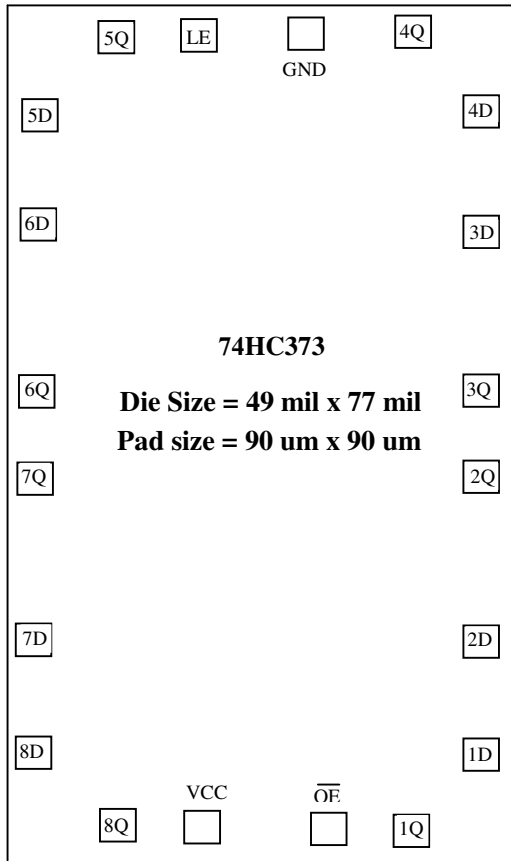


Pin Configuration (DIP-20)



Logic Symbol

PAD DIAGRAM



The Coordinate of Each Pad

8Q (-326.1, -808.7)	4Q (237.7, 718.5)
V _{CC} (-151.7, -816.1)	GND (42.5, 729.9)
\overline{OE} (82.5, -808.7)	LE (-160.5, 718.6)
1Q (237.7, -808.7)	5Q (-326.1, 718.6)
1D (388.3, -673.1)	5D (-476.5, 568.7)
2D (388.3, -457.3)	6D (-476.5, 352.9)
2Q (388.0, -132.2)	6Q (-476.5, 24.7)
3Q (388.0, 25.6)	7Q (-476.5, -135.0)
3D (388.1, 351.8)	7D (-476.5, -457.2)
4D (388.1, 567.6)	8D (-476.5, -673.0)

Note: Substrate should be connected to Vcc or left it open.