



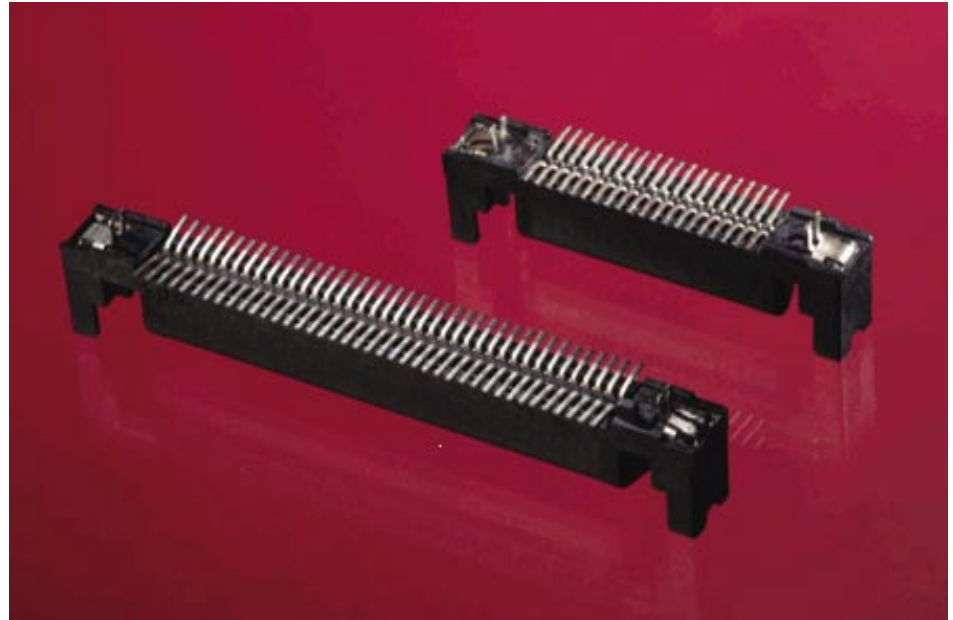
**1.27mm (.050") Pitch
EBBI™ 50D Receptacles**

71743 SCA-2, SMT, Vertical

Surface Mount SCA-2 Receptacles Maximize Board Space For Higher Density Requirements Compared to Through-Hole Versions

Molex's SCA-2 Surface Mount Technology (SMT) receptacles feature surface mount leads, designed to increase usable board space beneath the connector. Double-sided boards can be used as a result of SMT versus through-hole leads, providing increased density. The SMT receptacles are available in 40 and 80 circuit versions, commonly found in Fibre Channel and other drive configurations for storage applications.

SCA-2 SMT receptacles include all of the features found in Molex's standard range of SCA-2 products. SCA-2 connectors meet the requirements of the SCA-2 Single Connector Attach specification for small form factor disk drives. For additional information on this specification, visit: www.scsita.org.



Left: 80 circuit version Right: 40 circuit version

Features and Benefits

- High-temperature thermoplastic housing withstands lead-free processing temperatures
- First-mate, last-break terminals allow hot plugging
- Lead-free plating meets RoHS requirements
- Can be mated to .062" boards and used as a card-edge connector to provide a lower cost board-to-board alternative
- Integral guide ears with ESD grounding clips provide blind-mate capability
- 40 and 80 circuit versions accommodate Fibre Channel, SCSI and other drives
- Leaf style contact with 30µ" Gold (Au) plating rated for over 500 mating cycles

SPECIFICATIONS

Reference Information

Packaging: Tube
 UL File No.: E29179
 CSA File No.: LR19980-239A
 Mates With: Standard SCA-2 and EBBI plugs (Series 71661, 87012, 87571, 87572)
 Designed In: Inches

Electrical

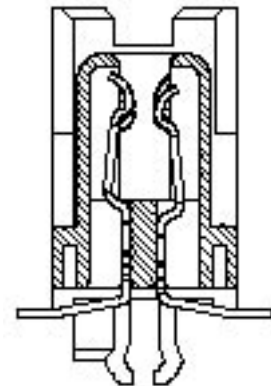
Voltage: 30V
 Current: 1.0A
 Contact Resistance: 20 milliohms max.
 Dielectric Withstanding Voltage: 500V AC
 Insulation Resistance: 1000 Megohms min.

Mechanical

Contact Retention to Housing: 500g min.
 Mating Force: 90g max.
 Unmating Force: 15g min.
 Normal Force: 90g
 Durability: 500 cycles min.

Physical

Housing: LCP UL 94V-0
 Contact: Copper (Cu) Alloy
 Retention Clip: Copper (Cu) Alloy
 Plating:
 Contact Area — 30µ" Select Gold (Au)
 Solder Tail Area — Tin (Sn)
 Underplating — Nickel (Ni)
 Operating Temperature: -40 to + 105°C



Side view shows first-mate, last-break contacts, board retention clip and locating peg

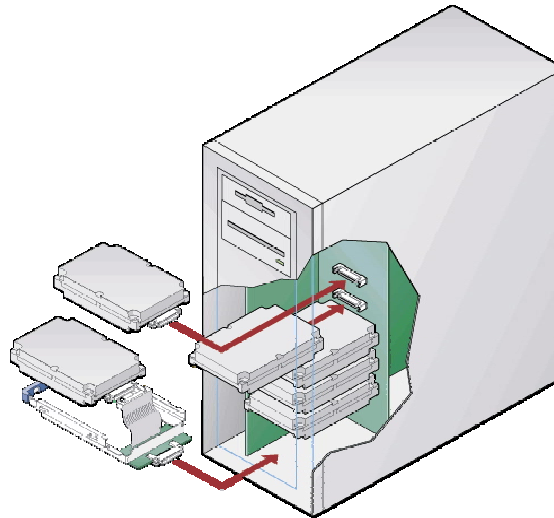


**1.27mm (.050") Pitch
EBBI™ 50D Receptacles**

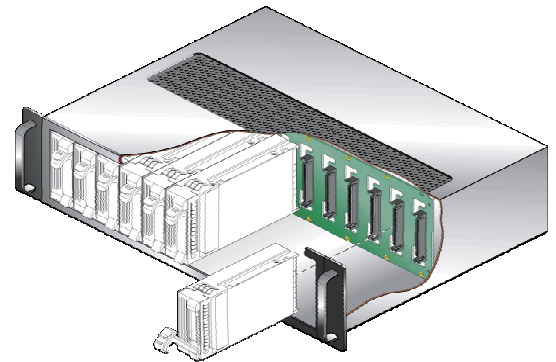
71743 SCA-2, SMT, Vertical

■ Datacommunication and Telecommunication

- Equipment
- Servers
 - Blade
 - Rack-mount
 - Tower
 - Routers
 - Hubs
 - Switches
 - Base Stations
 - Printers
 - Personal Computing
 - Copiers
 - Medical



Drive application



Server application

ORDERING INFORMATION

SCA-2, SMT Receptacles

Order No.	Circuits	Retention Clip Length
71743-4040	40	2.49mm (.098")
71743-4080	80	2.49mm (.098")
71743-4240	40	3.00mm (.118")
71743-4280	80	3.00mm (.118")

Americas Headquarters
Lisle, Illinois 60532 U.S.A.
1-800-78MOLEX
amerinfo@molex.com

Far East North Headquarters
Yamato, Kanagawa, Japan
81-462-65-2324
feninfo@molex.com

Far East South Headquarters
Jurong, Singapore
65-6-268-6868
fesinfo@molex.com

European Headquarters
Munich, Germany
49-89-413092-0
eurinfo@molex.com

Corporate Headquarters
2222 Wellington Ct.
Lisle, IL 60532 U.S.A.
630-969-4550
Fax: 630-969-1352

Visit our website at www.molex/product/micro/sca2.html