



Data Sheet

Corporation

telephone  
949 252 0522

BACK

Product Category: Filters

Series Number	Package	Description	Last Modified
731	Ceramic LT/W	455 KHz 6 Element	Jan. 01 2008

## Filter FEATURES

- Ultra small size
- 8.0mm profile
- Broadband width
- High selectivity
- 6 element
- RoHS Compliant



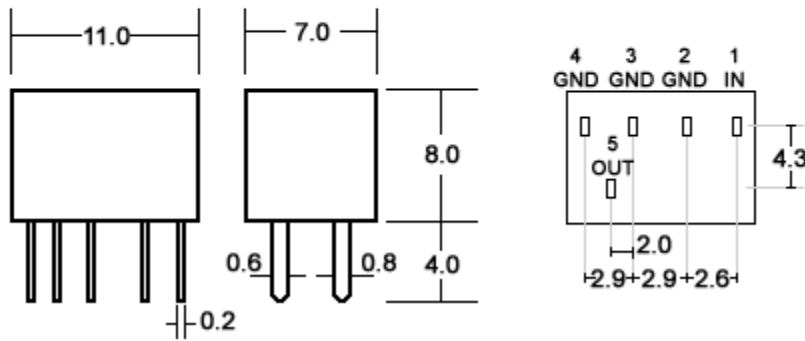
## OPERATING CONDITIONS / ELECTRICAL CHARACTERISTICS / PART NUMBER GUIDE

PART NO.	6dB Bandwidth	50dB Bandwidth	Pass Band Ripple	Spurious Attenuation fn ±100KHz	Insertion Loss	In/Output Impedance
	KHz min.	KHz max.	dB max.	dB min.	dB max.	Kohm
<a href="#">731-455-AW</a>	±17	±35	2	40	4	1
<a href="#">731-455-BW</a>	±15	±30	2	40	4	1.5
<a href="#">731-455-CW</a>	±12.5	±24	2	40	4	1.5
<a href="#">731-455-DW</a>	±10	±20	2	40	4	1.5
<a href="#">731-455-EW</a>	±7.5	±15	2	40	6	1.5
<a href="#">731-455-FW</a>	±6	±12.5	2	40	6	2
<a href="#">731-455-GW</a>	±4.5	±10	2	40	6	2
<a href="#">731-455-HW</a>	±3	±9	2	40	6	2
<a href="#">731-455-IW</a>	±2	±7.5	2	40	6	2
<a href="#">731-455-HT</a>	±3	±9	2	60	6	2
<a href="#">731-455-IT</a>	±2	±7.5	2	60	6	2

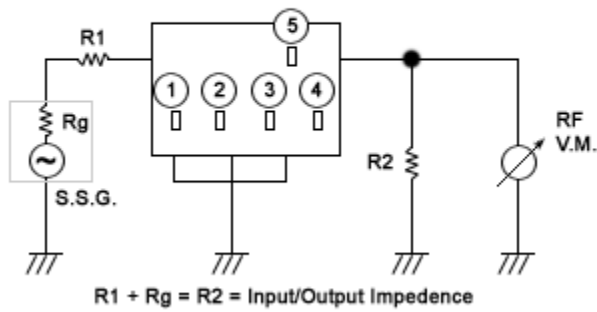
**NOTE:** Deviations on all parameters available. Please consult Oscilent for details.

**DEFINITIONS:** Click on the characteristic names above, for definitions of the particular characteristic.

**PACKAGE DIMENSIONS (mm)**



**Figure 1) Front and Side Views**



**Oscilent Corporation** - CALL **949.252.0522**  
 18195 East McDermott Street . Building D . Irvine . CA 92614 . USA  
 Fax: 949.252.0599 . E-Mail: Sales@Oscilent.com

**Series No.:** 731