



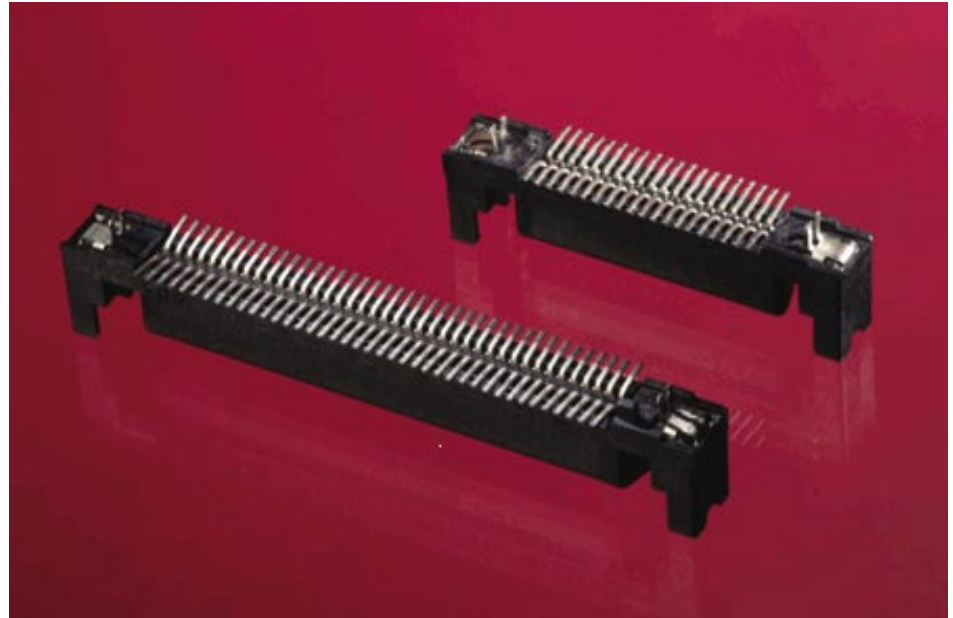
**1.27mm (.050") Pitch  
EBBI™ 50D Receptacles**

**71743 SCA-2, SMT, Vertical**

**Surface Mount SCA-2 Receptacles Maximize Board Space For Higher Density Requirements Compared to Through-Hole Versions**

Molex's SCA-2 Surface Mount Technology (SMT) receptacles feature surface mount leads, designed to increase usable board space beneath the connector. Double-sided boards can be used as a result of SMT versus through-hole leads, providing increased density. The SMT receptacles are available in 40 and 80 circuit versions, commonly found in Fibre Channel and other drive configurations for storage applications.

SCA-2 SMT receptacles include all of the features found in Molex's standard range of SCA-2 products. SCA-2 connectors meet the requirements of the SCA-2 Single Connector Attach specification for small form factor disk drives. For additional information on this specification, visit: [www.scsita.org](http://www.scsita.org).



Left: 80 circuit version Right: 40 circuit version

**Features and Benefits**

- High-temperature thermoplastic housing withstands lead-free processing temperatures
- First-mate, last-break terminals allow hot plugging
- Lead-free plating meets RoHS requirements
- Can be mated to .062" boards and used as a card-edge connector to provide a lower cost board-to-board alternative
- Integral guide ears with ESD grounding clips provide blind-mate capability
- 40 and 80 circuit versions accommodate Fibre Channel, SCSI and other drives
- Leaf style contact with 30µ" Gold (Au) plating rated for over 500 mating cycles

**SPECIFICATIONS**

**Reference Information**

Packaging: Tube  
 UL File No.: E29179  
 CSA File No.: LR19980-239A  
 Mates With: Standard SCA-2 and EBBI plugs (Series 71661, 87012, 87571, 87572)  
 Designed In: Inches

**Electrical**

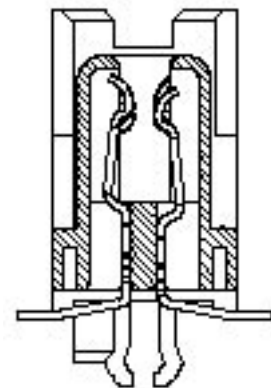
Voltage: 30V  
 Current: 1.0A  
 Contact Resistance: 20 milliohms max.  
 Dielectric Withstanding Voltage: 500V AC  
 Insulation Resistance: 1000 Megohms min.

**Mechanical**

Contact Retention to Housing: 500g min.  
 Mating Force: 90g max.  
 Unmating Force: 15g min.  
 Normal Force: 90g  
 Durability: 500 cycles min.

**Physical**

Housing: LCP UL 94V-0  
 Contact: Copper (Cu) Alloy  
 Retention Clip: Copper (Cu) Alloy  
 Plating:  
     Contact Area — 30µ" Select Gold (Au)  
     Solder Tail Area — Tin (Sn)  
     Underplating — Nickel (Ni)  
 Operating Temperature: -40 to + 105°C



Side view shows first-mate, last-break contacts, board retention clip and locating peg

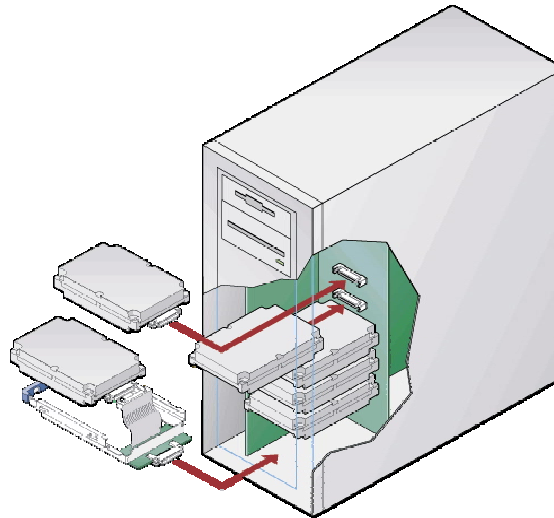


**1.27mm (.050") Pitch  
EBBI™ 50D Receptacles**

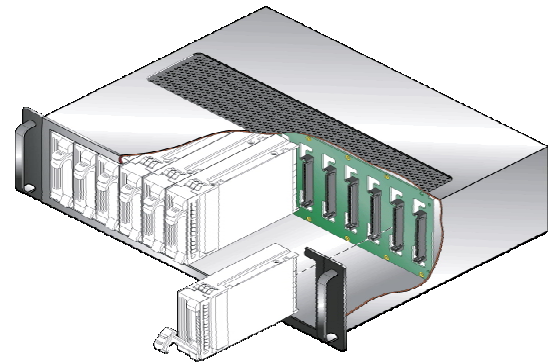
**71743 SCA-2, SMT, Vertical**

■ Datacommunication and Telecommunication

- Equipment
- Servers
    - Blade
    - Rack-mount
    - Tower
  - Routers
  - Hubs
  - Switches
  - Base Stations
  - Printers
  - Personal Computing
  - Copiers
  - Medical



Drive application



Server application

**ORDERING INFORMATION**

**SCA-2, SMT Receptacles**

Order No.	Circuits	Retention Clip Length
71743-4040	40	2.49mm (.098")
71743-4080	80	2.49mm (.098")
71743-4240	40	3.00mm (.118")
71743-4280	80	3.00mm (.118")

**Americas Headquarters**  
Lisle, Illinois 60532 U.S.A.  
1-800-78MOLEX  
amerinfo@molex.com

**Far East North Headquarters**  
Yamato, Kanagawa, Japan  
81-462-65-2324  
feninfo@molex.com

**Far East South Headquarters**  
Jurong, Singapore  
65-6-268-6868  
fesinfo@molex.com

**European Headquarters**  
Munich, Germany  
49-89-413092-0  
eurinfo@molex.com

**Corporate Headquarters**  
2222 Wellington Ct.  
Lisle, IL 60532 U.S.A.  
630-969-4550  
Fax: 630-969-1352

Visit our website at [www.molex/product/micro/sca2.html](http://www.molex/product/micro/sca2.html)