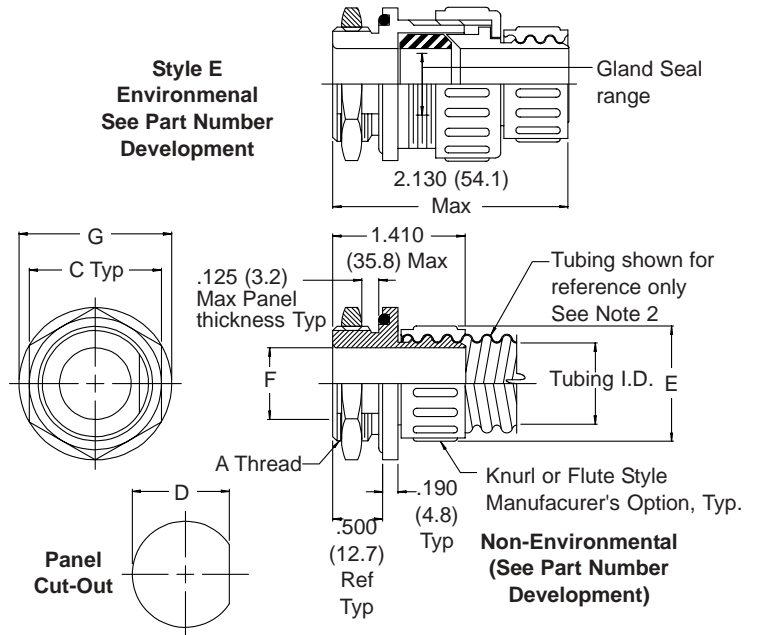
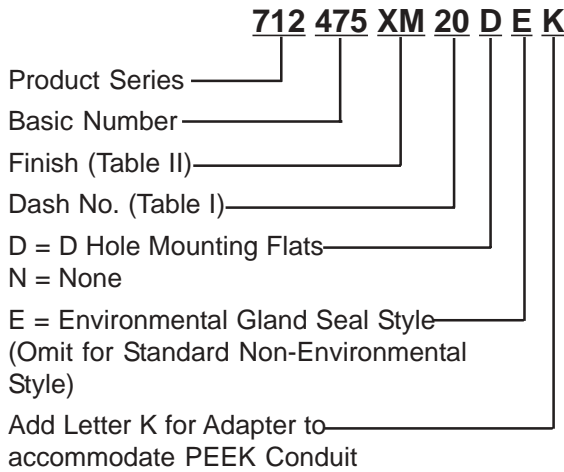


# 712-475 Composite Conduit Bulkhead Feed-Through Adapter for Environmental or Non-Environmental Series 74 PEEK or Standard Tubing



**Table I**

| Dash No. | A Thread Class 2A | B<br>+.015 (0.4)<br>-.000 (0.0) | C<br>Across Flats | D<br>+.000 (0.0)<br>-.015 (0.4) | E<br>Max     | F<br>Min     | G<br>Max     | Tubing I.D.  |              | Gland Seal Range |              |
|----------|-------------------|---------------------------------|-------------------|---------------------------------|--------------|--------------|--------------|--------------|--------------|------------------|--------------|
|          |                   |                                 |                   |                                 |              |              |              | Min          | Max          | Min              | Max          |
| 06       | M16 x 1.0         | .640 (16.3)                     | .875 (22.2)       | .595 (15.1)                     | .500 (12.7)  | .162 (4.1)   | 1.020 (25.9) | .181 (4.6)   | .187 (4.7)   | .156 (4.0)       | .250 (6.4)   |
| 09       | M16 x 1.0         | .640 (16.3)                     | .875 (22.2)       | .595 (15.1)                     | .600 (15.2)  | .244 (6.2)   | 1.020 (25.9) | .273 (6.9)   | .281 (7.1)   | .156 (4.0)       | .250 (6.4)   |
| 10       | M16 x 1.0         | .640 (16.3)                     | .875 (22.2)       | .595 (15.1)                     | .630 (16.0)  | .274 (7.0)   | 1.020 (25.9) | .306 (7.8)   | .312 (7.9)   | .156 (4.0)       | .250 (6.4)   |
| 12       | M16 x 1.0         | .640 (16.3)                     | .875 (22.2)       | .595 (15.1)                     | .700 (17.8)  | .326 (8.3)   | 1.020 (25.9) | .364 (9.2)   | .375 (9.5)   | .188 (4.8)       | .312 (7.9)   |
| 14       | M20 x 1.0         | .802 (20.4)                     | 1.062 (27.0)      | 1.752 (44.5)                    | .760 (19.3)  | .382 (9.7)   | 1.180 (30.0) | .427 (10.8)  | .437 (11.1)  | .250 (6.4)       | .438 (11.1)  |
| 16       | M20 x 1.0         | .802 (20.4)                     | 1.062 (27.0)      | 1.752 (44.5)                    | .850 (21.6)  | .434 (11.0)  | 1.180 (30.0) | .485 (12.3)  | .500 (1.3)   | .250 (6.4)       | .438 (11.1)  |
| 20       | M27 x 1.0         | 1.078 (27.4)                    | 1.312 (33.3)      | 1.069 (27.2)                    | .970 (24.6)  | .539 (13.7)  | 1.450 (36.8) | .608 (15.4)  | .625 (15.9)  | .375 (9.5)       | .625 (15.9)  |
| 24       | 1-20 UNEF         | 1.005 (25.5)                    | 1.312 (33.3)      | .937 (23.8)                     | 1.140 (29.0) | .649 (16.5)  | 1.390 (35.3) | .730 (18.5)  | .750 (19.1)  | .375 (9.5)       | .625 (15.9)  |
| 28       | M27 x 1.0         | 1.078 (27.4)                    | 1.312 (33.3)      | 1.029 (26.1)                    | 1.280 (32.5) | .769 (19.5)  | 1.450 (36.8) | .860 (21.8)  | .875 (22.2)  | .438 (11.1)      | .750 (19.1)  |
| 32       | M36 x 1.0         | 1.437 (36.5)                    | 1.750 (44.5)      | 1.403 (35.6)                    | 1.450 (36.8) | .868 (22.0)  | 1.810 (46.0) | .975 (24.8)  | 1.000 (25.4) | .625 (15.9)      | .938 (23.8)  |
| 40       | 1 1/2 -18 UNEF    | 1.505 (38.2)                    | 1.750 (44.5)      | 1.437 (36.5)                    | 1.760 (44.7) | 1.078 (27.4) | 1.890 (48.0) | 1.210 (30.7) | 1.250 (31.8) | .875 (22.2)      | 1.250 (31.8) |
| 48       | 1 3/4 -18 UNEF    | 1.755 (44.6)                    | 2.000 (50.8)      | 1.687 (42.8)                    | 2.060 (52.3) | 1.200 (30.5) | 2.140 (54.4) | 1.437 (36.5) | 1.500 (38.1) | 1.000 (25.4)     | 1.375 (34.9) |
| 56       | 2 -18 UNS         | 2.005 (50.9)                    | 2.250 (57.2)      | 1.937 (49.2)                    | 2.390 (60.7) | 1.400 (35.6) | 2.390 (60.7) | 1.688 (42.9) | 1.750 (44.5) | 1.250 (31.8)     | 1.625 (41.3) |
| 64       | 2 1/4 -16 UN      | 2.255 (57.3)                    | 2.500 (63.5)      | 2.187 (55.5)                    | 2.570 (65.3) | 1.600 (40.6) | 2.640 (67.1) | 2.937 (74.6) | 2.000 (50.8) | 1.250 (31.8)     | 1.625 (41.3) |

**Table II**

|    |  |
|----|--|
| XM | Electroless Nickel                         |
| XW | Cadmium Olive Drab Over Electroless Nickel |
| XB | No Plating - Black Material                |
| XO | No Plating - Base Material Non-conductive  |

**NOTES:**

1. Metric dimensions (mm) are in parentheses and are for reference only.
2. Convuluted tubing size, tubing to be ordered separately (See Page I-23).