

**Data Sheet**
 telephone
 949 252 0522


BACK

Product Category: Filters

Series Number	Package	Description	Last Modified
730	Ceramic LT/W	450 KHz 6 Element	Jan. 01 2008

Filter FEATURES

- Ultra small size
- 8.0mm profile
- Broadband width
- High selectivity
- 6 element
- RoHS Compliant



OPERATING CONDITIONS / ELECTRICAL CHARACTERISTICS / PART NUMBER GUIDE

PART NO.	6dB Bandwidth	50dB Bandwidth	Pass Band Ripple	Spurious Attenuation fn ±100KHz	Insertion Loss	In/Output Impedance
	KHz min.	KHz max.	dB max.	dB min.	dB max.	Kohm
730-450-AW	±17	±35	2	40	4	1
730-450-BW	±15	±30	2	40	4	1.5
730-450-CW	±12.5	±24	2	40	4	1.5
730-450-DW	±10	±20	2	40	4	1.5
730-450-EW	±7.5	±15	2	40	6	1.5
730-450-FW	±6	±12.5	2	40	6	2
730-450-GW	±4.5	±10	2	40	6	2
730-450-HW	±3	±9	2	40	6	2
730-450-IW	±2	±7.5	2	40	6	2
730-450-HT	±3	±9	2	60	6	2

NOTE: Deviations on all parameters available. Please consult Oscilent for details.

DEFINITIONS: Click on the characteristic names above, for definitions of the particular characteristic.

PACKAGE DIMENSIONS (mm)

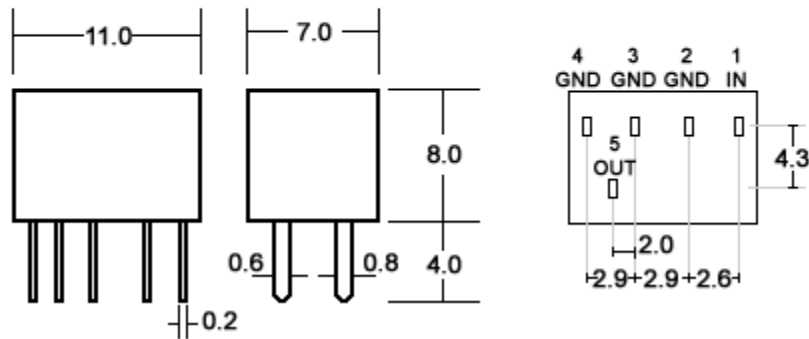
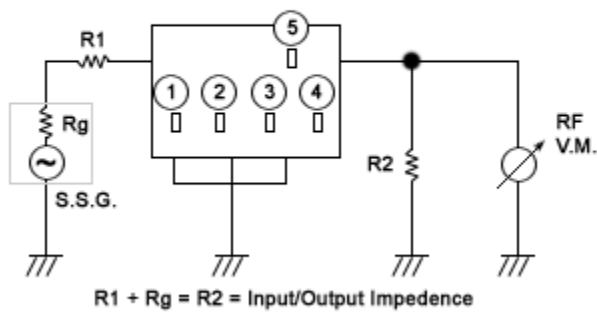


Figure 1) Front and Side Views



Oscilent Corporation - CALL **949.252.0522**
 18195 East McDermott Street . Building D . Irvine . CA 92614 . USA
 Fax: 949.252.0599 . E-Mail: Sales@Oscilent.com

Series No.: 730