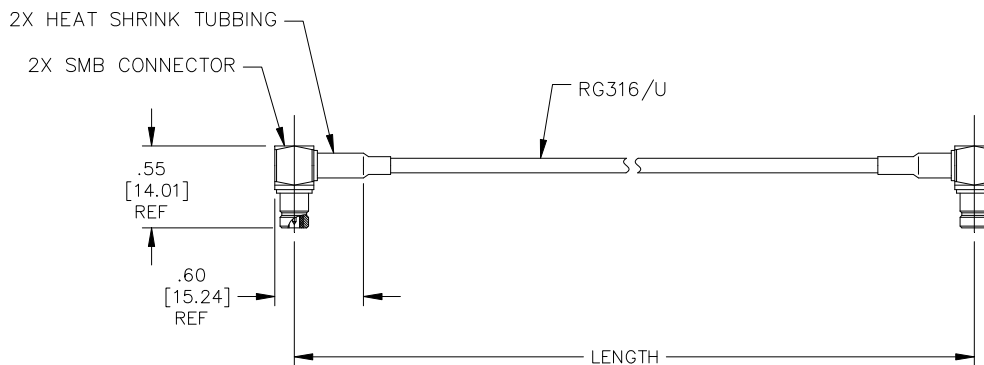


Model 73073

SMB Right-Angle Jack to SMB Right-Angle Jack, RG316/U



Model 73073
SMB Right-Angle Jack to SMB Right-Angle Jack,
RG316/U

Snap-on coupling and small size
for fast connect and disconnect

Features

- DC - 3GHz bandwidth.
- Connectors are precision machined and gold-plated for low loss.
- Small size and durability for RF coaxial applications.

Materials

SMB Male Connectors:

- Center Contact: Phosphor Bronze, Gold Plated
- Connector Body: Brass, Gold Plated
- Crimp Ferrule: Copper, Nickel Plated
- Insulators: PTFE

Specifications

Cable Type	RG316/U
Impedance	50Ω
Frequency Range	DC - 3GHz
Insulation Resistance	≥ 1000 MΩ
Insulator Withstand	750V
Temperature Range	-65° C to +165°C (-85°F to +329°F)
Jacket	FEP
Cable O.D.	0.098" (2.5mm)
Center Conductor (mm)	7 x .18 silver coated copper covered steel

Ordering Information

Model: **73073**

Cable Designator: **BB** = RG316/U

Standard Lengths: **6", 12", 24", 36", 48"**

- 6" ± .118" (152mm ± 3mm)
- 12" ± .157" (305mm ± 4mm)
- 24" ± .275" (610mm ± 7mm)
- 36" ± .394" (914mm ± 10mm)
- 48" ± .512" (1219mm ± 13mm)

Ordering Example: **73073-BB-24**, Cable is RG316/U
with length of 24" (610mm)

USA: Sales: 800-490-2361
Technical Support: technicalsupport@pomonatest.com
Fax: 425-446-5844

Europe: 31-(0) 40 2675 150 International: 425-446-5500

Where to Buy: www.pomonaelectronics.com

All dimensions are in inches. Tolerances (except noted): .xx = ±.02" (.51 mm),
.xxx = ± .005" (.127 mm). All specifications are to the latest revisions.
Specifications are subject to change without notice. Registered trademarks are
the property of their respective companies.