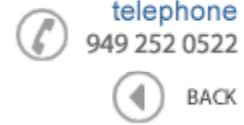


**Data Sheet**

Product Category: Filters

| Series Number | Package | Description | Last Modified |
|---------------|--------------|-------------------|---------------|
| 730 | Ceramic LT/W | 450 KHz 6 Element | Jan. 01 2008 |

Filter FEATURES

- Ultra small size
- 8.0mm profile
- Broadband width
- High selectivity
- 6 element
- RoHS Compliant

**OPERATING CONDITIONS / ELECTRICAL CHARACTERISTICS / PART NUMBER GUIDE**

| PART NO. | 6dB Bandwidth | 50dB Bandwidth | Pass Band Ripple | Spurious Attenuation in $\pm 100\text{KHz}$ | Insertion Loss | In/Output Impedance |
|----------------------------|---------------|----------------|------------------|--|----------------|---------------------|
| | KHz min. | KHz max. | dB max. | dB min. | dB max. | Kohm |
| 730-450-AW | ± 17 | ± 35 | 2 | 40 | 4 | 1 |
| 730-450-BW | ± 15 | ± 30 | 2 | 40 | 4 | 1.5 |
| 730-450-CW | ± 12.5 | ± 24 | 2 | 40 | 4 | 1.5 |
| 730-450-DW | ± 10 | ± 20 | 2 | 40 | 4 | 1.5 |
| 730-450-EW | ± 7.5 | ± 15 | 2 | 40 | 6 | 1.5 |
| 730-450-FW | ± 6 | ± 12.5 | 2 | 40 | 6 | 2 |
| 730-450-GW | ± 4.5 | ± 10 | 2 | 40 | 6 | 2 |
| 730-450-HW | ± 3 | ± 9 | 2 | 40 | 6 | 2 |
| 730-450-IW | ± 2 | ± 7.5 | 2 | 40 | 6 | 2 |
| 730-450-HT | ± 3 | ± 9 | 2 | 60 | 6 | 2 |

NOTE: Deviations on all parameters available. Please consult Oscilent for details.**DEFINITIONS:** Click on the characteristic names above, for definitions of the particular characteristic.

PACKAGE DIMENSIONS (mm)

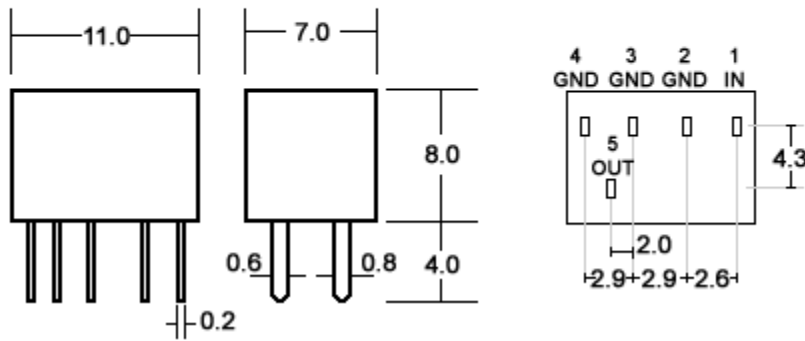
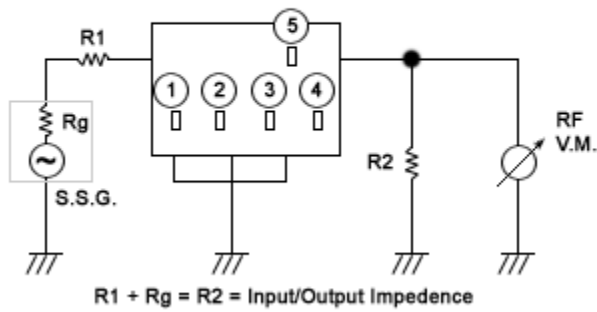


Figure 1) Front and Side Views



Oscilent Corporation - CALL **949.252.0522**
 18195 East McDermott Street . Building D . Irvine . CA 92614 . USA
 Fax: 949.252.0599 . E-Mail: Sales@Oscilent.com

Series No.: 730