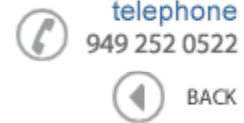




Data Sheet



Product Category: Filters

Series Number	Package	Description	Last Modified
746	SMD Ceramic Filter	455 KHz	Dec. 22 2008

## Filter FEATURES

- Surface Mount
- RoHS Compliant

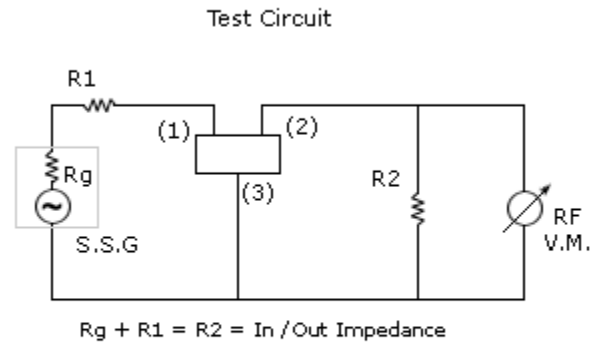
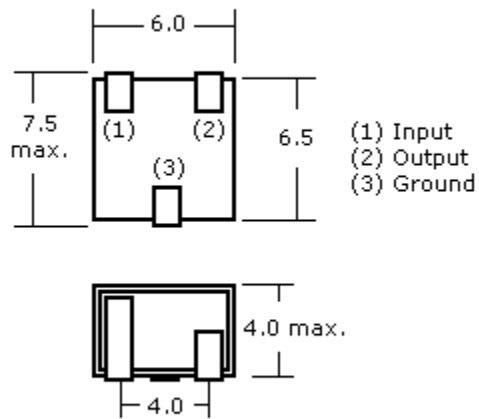


## OPERATING CONDITIONS / ELECTRICAL CHARACTERISTICS / PART NUMBER GUIDE

PART NO.	6dB Bandwidth	40dB Bandwidth	Pass Band Ripple	Spurious Attenuation fn $\pm 100$ KHz	Insertion Loss	In/Output Impedance
	KHz min.	KHz max.	dB max.	dB min.	dB max.	Kohm
<a href="#">746-455-BU</a>	$\pm 15$	$\pm 30$	2	27	4	1
<a href="#">746-455-CU</a>	$\pm 12.5$	$\pm 25$	2	27	4	1
<a href="#">746-455-DU</a>	$\pm 10$	$\pm 20$	2	27	4	1.5
<a href="#">746-455-EU</a>	$\pm 7.5$	$\pm 15$	2	27	6	1.5
<a href="#">746-455-FU</a>	$\pm 6$	$\pm 12$	2	27	6	1.5
<a href="#">746-455-GU</a>	$\pm 4.5$	$\pm 10$	2	25	6	1.5
<a href="#">746-455-HU</a>	$\pm 3$	$\pm 9$	2	25	6	1.5
<a href="#">746-455-IU</a>	$\pm 2$	$\pm 7.5$	2	25	6	1.5

**NOTE:** Deviations on all parameters available. Please consult Oscilent for details.

**DEFINITIONS:** Click on the characteristic names above, for definitions of the particular characteristic.

**PACKAGE DIMENSIONS (mm)**

**Oscilent Corporation** - CALL **949.252.0522**  
 18195 East McDermott Street . Building D . Irvine . CA 92614 . USA  
 Fax: 949.252.0599 . E-Mail: Sales@Oscilent.com

**Series No.:** 746