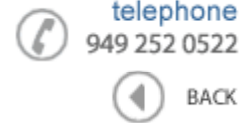




Data Sheet



Product Category: Filters

Series Number	Package	Description	Last Modified
747	SMD Ceramic Filter	450 KHz	Dec. 22 2008

## Filter FEATURES

- Surface Mount
- RoHS Compliant



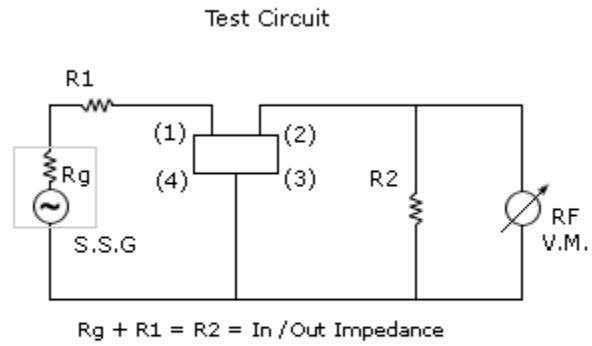
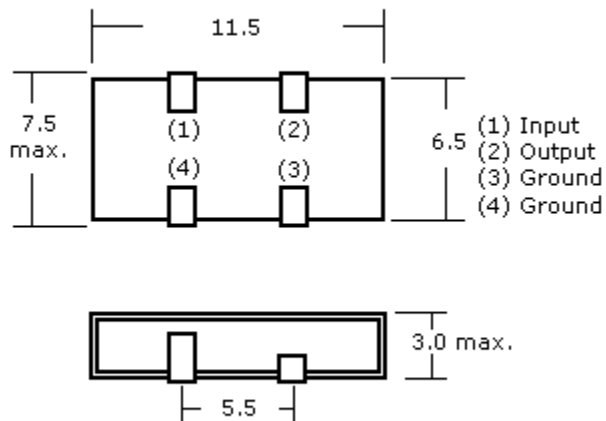
## OPERATING CONDITIONS / ELECTRICAL CHARACTERISTICS / PART NUMBER GUIDE

PART NO.	6dB Bandwidth	50dB Bandwidth	Pass Band Ripple	Spurious Attenuation fn $\pm 100$ KHz	Insertion Loss	In/Output Impedance
	KHz min.	KHz max.	dB max.	dB min.	dB max.	Kohm
<a href="#">747-450-BW</a>	$\pm 15$	$\pm 30$	2	50	4	1
<a href="#">747-450-CW</a>	$\pm 12.5$	$\pm 25$	2	50	4	1
<a href="#">747-450-DW</a>	$\pm 10$	$\pm 20$	2	50	4	1.5
<a href="#">747-450-EW</a>	$\pm 7.5$	$\pm 15$	2	50	4	1.5
<a href="#">747-450-FW</a>	$\pm 6$	$\pm 12$	2	47	6	1.5
<a href="#">747-450-GW</a>	$\pm 4.5$	$\pm 10$	2	47	6	1.5
<a href="#">747-450-HW</a>	$\pm 3$	$\pm 9$	2	47	6	1.5
<a href="#">747-450-IW</a>	$\pm 2$	$\pm 7.5$	2	47	6	1.5

**NOTE:** Deviations on all parameters available. Please consult Oscilent for details.

**DEFINITIONS:** Click on the characteristic names above, for definitions of the particular characteristic.

## PACKAGE DIMENSIONS (mm)



**Oscilent Corporation** - CALL **949.252.0522**  
 18195 East McDermott Street . Building D . Irvine . CA 92614 . USA  
 Fax: 949.252.0599 . E-Mail: Sales@Oscilent.com

**Series No.:** 747