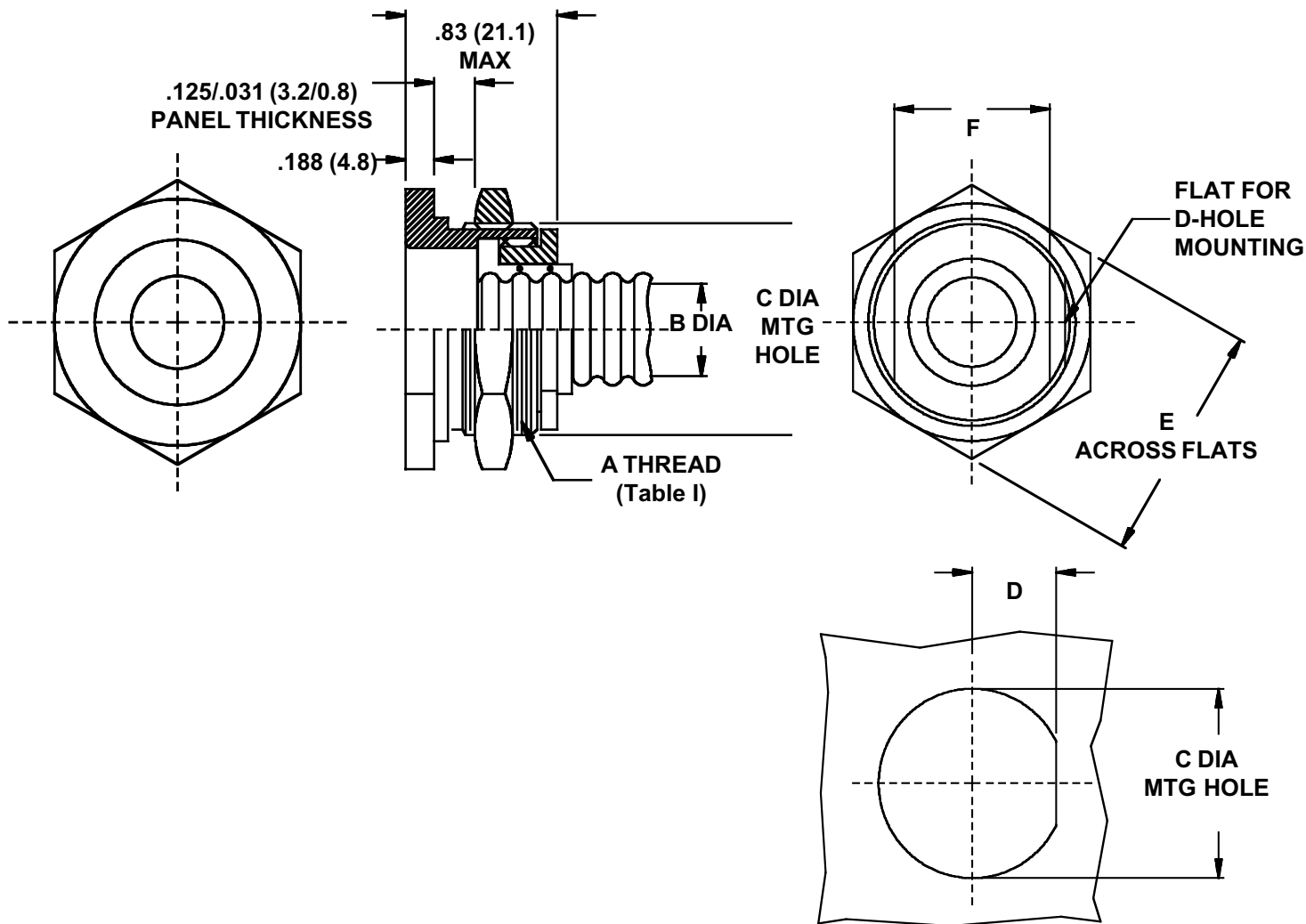
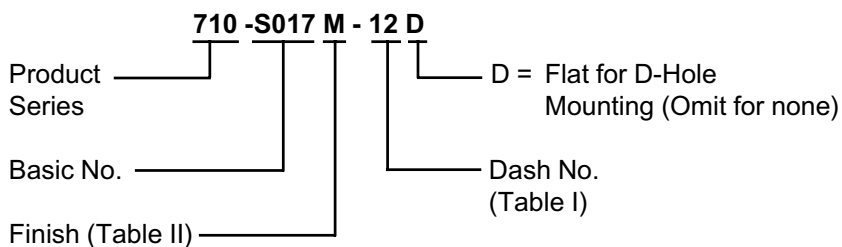


# 710-017 Non-Environmental Bulkhead Fitting for Series 72 Annular Convulsated Tubing

## TYPE A



**RECOMMENDED PANEL  
CUTOUT FOR  
OPTIONAL D-HOLE**

Metric dimensions (mm) are indicated in parentheses.  
 Tubing shown for reference only.

**710-017**  
**Non-Environmental Bulkhead Fitting**  
**for Series 72 Annular Convuluted Tubing**



**TABLE I**

DASH NO.	A THREAD CLASS 2A	B INSIDE DIA		C		D	E	F
		MIN	MAX	+0.015 (+0.4)	-0.005 (-0.1)	+0.010 (+0.3)	0.000 (0.0)	REF
09	7/8 - 20 UNEF	.24 (6.1)	.28 (7.1)	.885 (22.5)		.380 (9.7)	1.062 (27.0)	.69 (17.5)
12	1 1/16 - 18 UNEF	.33 (8.4)	.37 (9.4)	1.072 (27.2)		.474 (12.0)	1.250 (31.8)	.88 (22.4)
16	1 3/16 - 18 UNEF	.45 (11.4)	.50 (12.7)	1.198 (30.4)		.536 (13.6)	1.375 (34.9)	1.00 (25.4)
20	1 5/16 - 18 UNEF	.57 (14.5)	.62 (15.7)	1.322 (33.6)		.599 (15.2)	1.500 (38.1)	1.12 (28.4)
24	1 1/2 - 18 UNEF	.69 (17.5)	.75 (19.1)	1.510 (38.4)		.693 (17.6)	1.750 (44.5)	1.25 (31.8)
28	1 11/16 - 18 UNEF	.81 (20.6)	.87 (22.1)	1.698 (43.1)		.786 (20.0)	1.875 (47.6)	1.44 (36.6)
32	1 7/8 - 16 UN	.93 (23.6)	1.00 (25.4)	1.885 (47.9)		.880 (22.4)	2.125 (54.0)	1.62 (41.1)
40	2 1/8 - 16 UN	1.18 (30.0)	1.25 (31.8)	2.135 (54.2)		1.005 (25.5)	2.375 (60.3)	1.82 (46.2)

**TABLE II**

SYMBOL	FINISH
B	Olive Drab over Cadmium Plate
J	Gold Iridite over Cadmium Plate over Nickel
M	Electroless Nickel
N	Olive Drab over Cadmium Plate over Nickel
NC	Zinc-Cobalt, Olive Drab
NF	Olive Drab over Cadmium Plate over Electroless Nickel (500 Hour Salt Spray)
T	Bright Dip Cadmium Plate over Nickel

Metric dimensions (mm) are indicated in parentheses.