

# ADC0881

## 8-Bit 20 MSPS Flash A/D Converter

### General Description

The ADC0881 is a monolithic flash Analog-to-Digital converter capable of converting a video signal into a stream of 8-bit digital words at 20 MegaSamples Per Second (MSPS). Since the ADC0881 is a flash converter, a sample-and-hold circuit is not required.

The ADC0881 consists of 255 clocked latching comparators, precision resistive divider, encoding logic, and an output register. A single convert clock controls the conversion operation. The unit can be configured to give either true or inverted outputs, in binary or offset two's complement coding. All digital I/O is TTL compatible.

### Applications

- Video digitizing
- Medical imaging
- High energy physics
- Digital television
- Radar
- High speed data links

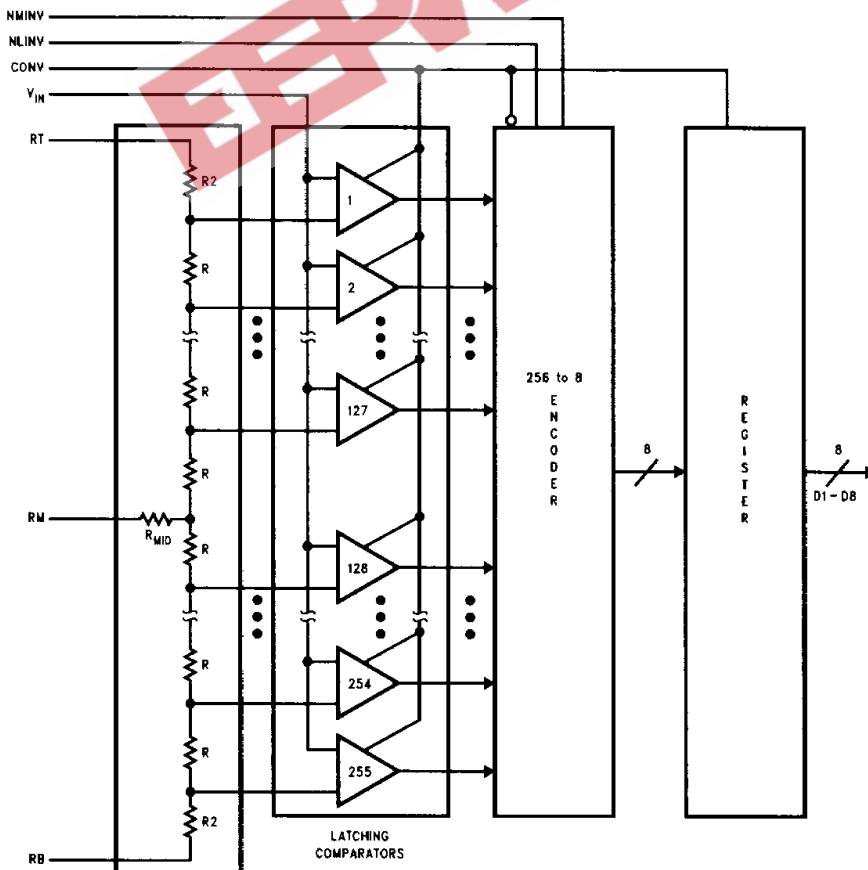
### Key Specifications

■ Resolution	8 bits
■ Conversion rate	DC to 20 MSPS (min)
■ Full power bandwidth	7 MHz (min)
■ Small signal bandwidth (-3 dB)	60 MHz (min)
■ Linearity error	1/2 LSB (max)
■ Analog input range	+3 to +5V
■ Differential gain	1%
■ Differential phase	0.5°
■ Power dissipation ( $V_{CC} = +5V$ )	600 mW
■ Power supply	+5V

### Features

- Drop-in replacement for TDC1058
- Pin for pin replacement for CXA1096P and ADC-304
- No sample-and-hold circuit required
- Selectable data format
- Available in plastic DIP, CERDIP and PLCC
- Single supply operation

### Block Diagram



TL/H/11082-1

## Absolute Maximum Ratings (Notes 1 & 2)

If Military/Aerospace specified devices are required, please contact the National Semiconductor Sales Office/Distributors for availability and specifications.

Supply Voltage ( $V_{CCA}, V_{CCD}$ )	-0.5V to +7.0V
$V_{CCA}-V_{CCD}$	$\pm 0.5V$
AGND-DGND	$\pm 0.5V$
Voltage at Logic Control Inputs (CONV, NMINV, NLINV) (Note 3)	-0.5V to ( $V_{CC} + 0.5V$ )
Voltage at Digital Outputs (D1-D8) (Note 3)	-0.5V to ( $V_{CC} + 0.5V$ )
Voltage at Analog Inputs ( $V_{IN}, V_{RT}, V_{RB}$ ) (Note 3)	-0.5V to ( $V_{CC} + 0.5V$ )
$V_{RT}-V_{RB}$	$\pm 2.2V$
Applied Current at Digital Outputs (Note 4)	$\pm 50$ mA
Input Current at Logic Control Inputs (Note 4)	$\pm 50$ mA
Input Current for $V_{IN}, V_{RT}, V_{RB}$ (Note 4)	$\pm 100$ mA
Power Dissipation at $T_A = 25^\circ C$	(Note 5)
ESD Rating	500V

Storage Temperature Range	-65°C to +150°C
Soldering Temperature	
All Packages (10 seconds)	300°C

## Operating Ratings (Notes 1 & 2)

Temperature Range	$T_{MIN} \leq T_A \leq T_{MAX}$
ADC0881CCJ/TDC1058B6C	$0^\circ C \leq T_A \leq +70^\circ C$
ADC0881CCN/TDC1058N6C	$0^\circ C \leq T_A \leq +70^\circ C$
ADC0881CCV/TDC1058R3C	$0^\circ C \leq T_A \leq +70^\circ C$
Supply Voltages ( $V_{CCA} = V_{CCD} = V_{CC}$ )	4.75V to 5.25V
AGND-DGND Voltage	$\pm 0.1V$
$V_{RT}$ Most Positive Reference Voltage (Note 6)	5.0V to ( $V_{CCA} + 0.1V$ )
$V_{RB}$ Most Negative Reference Voltage (Note 6)	3.0V to 2.65V
$V_{RT}-V_{RB}$	1.8V to 2.2V
Analog Input Voltage ( $V_{IN}$ )	$V_{RT}$ to $V_{RB}$
$t_{PWL}$	$\geq 19$ ns
$t_{PWH}$	$\geq 27$ ns

**Converter Electrical Characteristics** The following specifications apply for  $V_{CCA} = V_{CCD} = V_{CC} = +5.25V$ ,  $V_{RB} = 3.0V$ ,  $V_{RT} = 5.0V$ ,  $V_{AGND} = V_{DGND} = GND$ ,  $t_{PWL} = 19$  ns and  $t_{PWH} = 27$  ns unless otherwise specified. **Boldface limits apply for  $T_A = T_{MIN}$  to  $T_{MAX}$** ; all other limits  $T_A = 25^\circ C$ .

Symbol	Parameter	Conditions	Typical	Limit	Units (Limit)
<b>STATIC CHARACTERISTICS</b>					
	Resolution			<b>8</b>	Bits(min)
	Integral Linearity Error			<b>0.2</b>	%FS(max)
	Differential Linearity Error			<b>0.2</b>	%FS(max)
	Code Size (Note 7)		100	<b>25</b> <b>175</b>	%LSB %LSB(min) %LSB(max)
	Offset Error, Top	$V_{IN} = V_{RT}$		$\pm 10$	mV(max)
	Offset Error, Bottom	$V_{IN} = V_{RB}$		<b>-15</b>	mV(max)
	Offset Error Temperature Coefficient			$\pm 20$	$\mu V/^\circ C$ (max)
$I_{REF}$	Reference Current			<b>30</b>	mA(max)
$R_{REF}$	Total Reference Resistance			<b>67</b>	$\Omega$ (min)
$V_{IN}$	Analog Input Voltage Range			<b><math>V_{RB}</math></b> <b><math>V_{RT}</math></b>	V(min) V(max)
$I_{IN}$	Analog Input Constant Bias Current			<b>250</b>	$\mu A$ (max)
$R_{IN}$	Analog Input Equivalent Resistance	$V_{IN} = V_{RB}$		<b>80</b>	k $\Omega$ (min)
$C_{IN}$	Analog Input Capacitance	$V_{IN} = V_{RB}$		<b>50</b>	pF(max)
<b>DYNAMIC CHARACTERISTICS</b>					
S/(N+D)	Signal-to-Noise + Distortion Ratio Peak-to-Peak Signal/RMS Noise	$V_{IN} = 2.0 V_{p-p}$ , 10 MHz BW	$f_{IN} = 1.248$ MHz	<b>54</b>	dB(min)
			$f_{IN} = 2.438$ MHz	<b>53</b>	dB(min)
S/(N+D)	Signal-to-Noise + Distortion Ratio RMS Signal/RMS Noise	$V_{IN} = 2.0 V_{p-p}$ , 10 MHz BW	$f_{IN} = 1.248$ MHz	<b>45</b>	dB(min)
			$f_{IN} = 2.438$ MHz	<b>44</b>	dB(min)

**Converter Electrical Characteristics** The following specifications apply for  $V_{CCA} = V_{CCD} = V_{CC} = +5.25V$ ,  $V_{RB} = 3.0V$ ,  $V_{RT} = 5.0V$ ,  $V_{AGND} = V_{DGND} = GND$ ,  $t_{pWL} = 19\text{ ns}$  and  $t_{pWH} = 27\text{ ns}$  unless otherwise specified. **Boldface limits apply for  $T_A = T_{MIN}$  to  $T_{MAX}$** ; all other limits  $T_A = 25^\circ\text{C}$ . (Continued)

Symbol	Parameter	Conditions	Typical	Limit	Units (Limit)
<b>DYNAMIC CHARACTERISTICS</b>					
BW	Bandwidth, Full Scale Input	$V_{IN} = 2.0 V_{p-p}$ , No Spurious or Missing Codes		<b>7</b>	MHz(min)
BW <sub>SS</sub>	-3 dB Small Signal Bandwidth	$V_{IN} = -20\text{ dB}$ , FS = $0.2 V_{p-p}$		<b>60</b>	MHz(min)
	Full Scale Transient Response			<b>70</b>	ns(min)
t <sub>STO</sub>	Sampling Time Offset	$V_{CC} = +4.75V$		<b>-2</b> <b>10</b>	ns(min) ns(max)
	Aperture Jitter			<b>60</b>	ps <sub>rms</sub> (max)
	Differential Phase Error	$f_S = 4 \times \text{NTSC}$	0.5	<b>1.0</b>	Degree(max)
	Differential Gain Error	$f_S = 4 \times \text{NTSC}$	1.0	<b>2.0</b>	%(max)

**DC Electrical Characteristics** The following specifications apply for  $V_{CCA} = V_{CCD} = V_{CC} = +5.25V$ ,  $V_{RB} = 3.0V$ ,  $V_{RT} = 5.0V$ ,  $V_{AGND} = V_{DGND} = GND$ ,  $t_{pWL} = 19\text{ ns}$  and  $t_{pWH} = 27\text{ ns}$  unless otherwise specified. **Boldface limits apply for  $T_A = T_{MIN}$  to  $T_{MAX}$** ; all other limits  $T_A = 25^\circ\text{C}$ .

Symbol	Parameter	Conditions	Typical (Note 7)	Limit	Units (Limit)
$V_{IN(1)}$	Logical "1" Input Voltage			<b>2.4</b>	V(min)
$V_{IN(0)}$	Logical "0" Input Voltage			<b>0.4</b>	V(max)
$I_{IN(1)}$	Logical "1" Input Current	$V_{IN} = 2.4V$		<b>50</b> <b>-200</b>	$\mu\text{A}(\text{max})$ $\mu\text{A}(\text{min})$
		$V_{IN} = V_{CC} = +5.25V$		<b>1.0</b>	mA(max)
$I_{IN(0)}$	Logical "0" Input Current	$V_{IN} = 0.4V$		<b>-0.6</b>	mA(max)
$V_{OUT(1)}$	Logical "1" Output Voltage	$V_{CC} = 4.75V$ , $I_{OUT} = -400\ \mu\text{A}$		<b>2.4</b>	V(min)
$V_{OUT(0)}$	Logical "0" Output Voltage	$V_{CC} = 4.75V$ , $I_{OUT} = 4.0\text{ mA}$		<b>0.5</b>	V(max)
	Short-Circuit Output Current	Output High, One Pin to Ground, One Second Duration Max		<b>-40</b>	mA(max)
$C_I$	Digital Input Capacitance	$f = 1\text{ MHz}$		15	pF(max)
$I_{CC}$	$V_{CCA}$ and $V_{CCD}$ Supply Current	(Note 8)		<b>160</b>	mA(max)

**AC Electrical Characteristics** The following specifications apply for  $V_{CCA} = V_{CCD} = V_{CC} = +5.25V$ ,  $V_{RB} = 3.0V$ ,  $V_{RT} = 5.0V$ ,  $V_{AGND} = V_{DGND} = GND$ ,  $t_{PWL} = 19$  ns, and  $t_{PWH} = 27$  ns unless otherwise specified. **Boldface limits apply for  $T_A = T_{MIN}$  to  $T_{MAX}$** ; all other limits  $T_A = 25^\circ C$ .

Symbol	Parameter	Conditions	Typical (Note 7)	Limit	Units (Limit)
$f_S$	Maximum Conversion Rate	$V_{CC} = +4.75V$		<b>20</b>	MSPS(min)
$t_{PWL}$	Convert (CONV) Pulse Width, Low			<b>19</b>	ns(min)
$t_{PWH}$	Convert (CONV) Pulse Width, High			<b>27</b>	ns(min)
$t_D$	Output Delay	$V_{CC} = +4.75V$ , Load 1, <i>Figure 4</i>		<b>35</b>	ns(max)
$t_{HO}$	Output Hold Time	Load 1, <i>Figure 4</i>		<b>5</b>	ns(min)

**Note 1:** Absolute Maximum Ratings indicate limits beyond which damage to the device may occur. Operating Ratings indicate conditions for which the device is functional, but do not guarantee specific performance limits. For guaranteed specifications and test conditions, see the Electrical Characteristics. The guaranteed specifications apply only for the test conditions listed. Some performance characteristics may degrade when the device is not operated under the listed test conditions.

**Note 2:** All voltages are measured with respect to AGND and DGND, unless otherwise specified.

**Note 3:** Applied voltage must be current-limited to the specified range.

**Note 4:** Forcing voltage must be limited to specified range.

**Note 5:** The maximum power dissipation must be derated at elevated temperatures and is dictated by  $T_{Jmax}$  (maximum junction temperature),  $\theta_{JA}$  (package junction to ambient thermal resistance),  $\theta_{JC}$  (package junction to case thermal resistance), and  $T_A$  (ambient temperature). The maximum allowable power dissipation at any temperature is  $P_{Dmax} = (T_{Jmax} - T_A)/\theta_{JA}$  or the number given in the Absolute Maximum Ratings, whichever is lower. For this device,  $T_{Jmax} = 175^\circ C$ , and the typical thermal resistances ( $\theta_{JA}$  and  $\theta_{JC}$ ) of the ADC0881 follow:

Suffixes	Package Number	$\theta_{JA}$ ( $^\circ C/W$ )	$\theta_{JC}$ ( $^\circ C/W$ )
CCJ	J28A	50	12
CCN	N28A	45	17
CCV	V28A	65	14

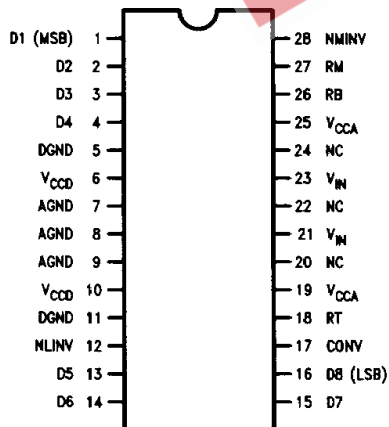
**Note 6:**  $V_{RT}$  must be more positive than  $V_{RB}$ , and the voltage reference differential must be within the specified range.

**Note 7:** Code size is the size of the individual codes, from code transition to code transition. It is often expressed as a percentage of the ideal code size. The ideal code size is given by: Input Voltage Range/ $2^N$ . Where N is the number of bits of resolution of the A/D converter.

**Note 8:** Worst case, all digital inputs and outputs LOW.

## Connection Diagrams

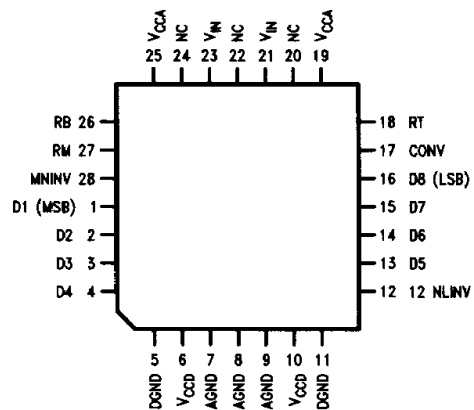
28-Lead CERDIP—J Package  
28-Lead Plastic DIP—N Package



Top View

TL/H/11082-2

28-Lead Plastic Chip Carrier—V Package



Top View

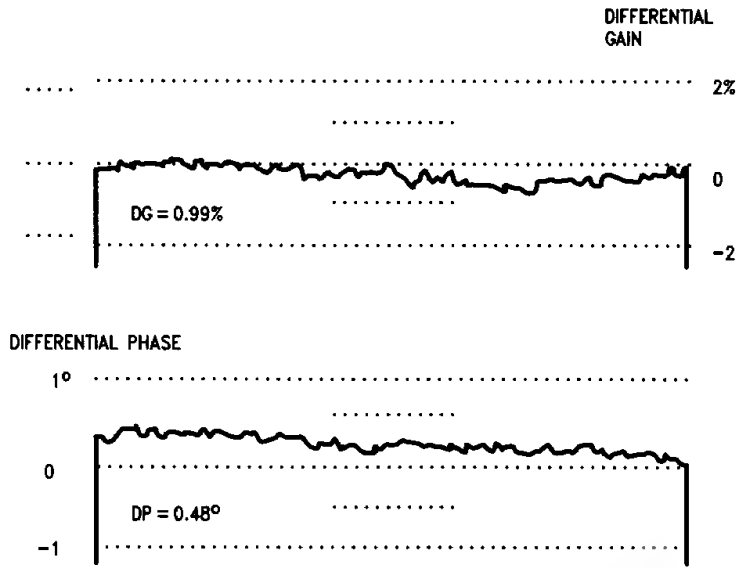
TL/H/11082-3

## Ordering Information

Commercial ( $0^\circ C \leq T_A \leq 70^\circ C$ )	Package
ADC0881CCN/TDC1058N6C	N28B, 28-Pin Plastic
ADC0881CCJ/TDC1058B6C	J28A, 28-Pin CERDIP
ADC0881CCV/TDC1058R3C	V28A, 28-Lead Plastic Chip Carrier

# Typical Performance Characteristics ( $T_A = 25^\circ\text{C}, V_{CC} = +5\text{V}$ )

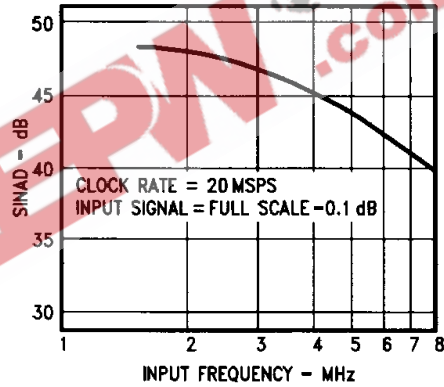
## Differential Phase and Gain



TL/H/11082-4

Convert Frequency = 14.3181800 MHz  
Analog Input = 3.57954550 MHz

## SINAD (Signal to Noise + Distortion Ratio) vs Input Frequency



TL/H/11082-5

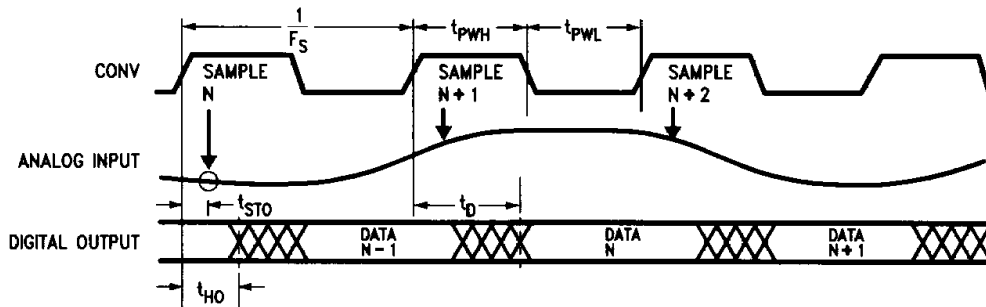


FIGURE 1. Timing Diagram

TL/H/11082-6

# Typical Performance Characteristics (Continued)

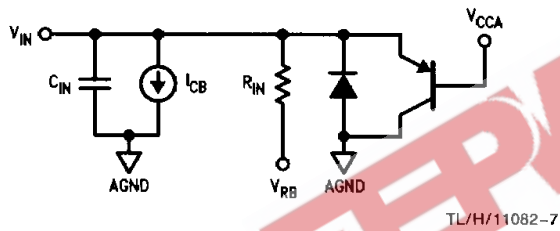
TABLE I. Output Coding Table

Input Voltage	Binary		Offset Two's Complement	
	True	Inverted	True	Inverted
	NMINV = HIGH NLINV = HIGH	NMINV = LOW NLINV = LOW	NMINV = LOW NLINV = HIGH	NMINV = HIGH NLINV = LOW
5.0000V	0000 0000	1111 1111	1000 0000	0111 1111
4.9922V	0000 0001	1111 1110	1000 0001	0111 1110
⋮	⋮	⋮	⋮	⋮
⋮	⋮	⋮	⋮	⋮
⋮	⋮	⋮	⋮	⋮
4.0078V	0111 1111	1000 0000	1111 1111	0000 0000
4.0000V	1000 0000	0111 1111	0000 0000	1111 1111
3.9922V	1000 0001	0111 1110	0000 0001	1111 1110
⋮	⋮	⋮	⋮	⋮
⋮	⋮	⋮	⋮	⋮
⋮	⋮	⋮	⋮	⋮
3.0156V	1111 1110	0000 0001	0111 1110	1000 0001
3.0078V	1111 1111	0000 0000	0111 1111	1000 0000

Note 1: NMINV and NLINV are to be considered DC controls, they may be tied to  $V_{CC}$  for a logic "1" or to ground for a logic "0".

Note 2: Voltages are code midpoints.

## Simplified Input and Output Circuits



$C_{IN}$  is a nonlinear junction capacitance.  
 $V_{RB}$  is a voltage equal to the voltage on pin  $R_B$ .

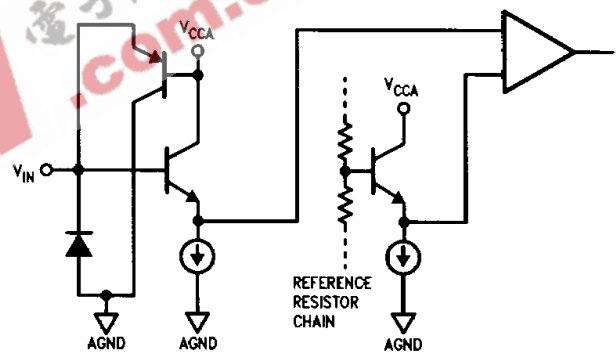


FIGURE 2. Simplified Analog Input Circuits

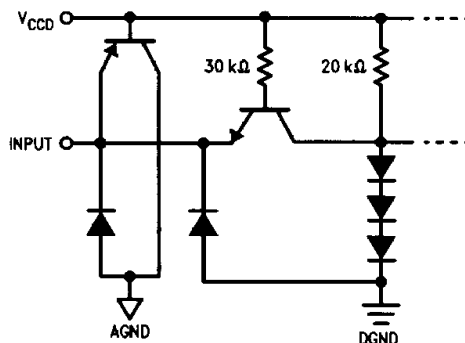


FIGURE 3. Simplified Digital Convert Input Circuit

## Simplified Input and Output Circuits (Continued)

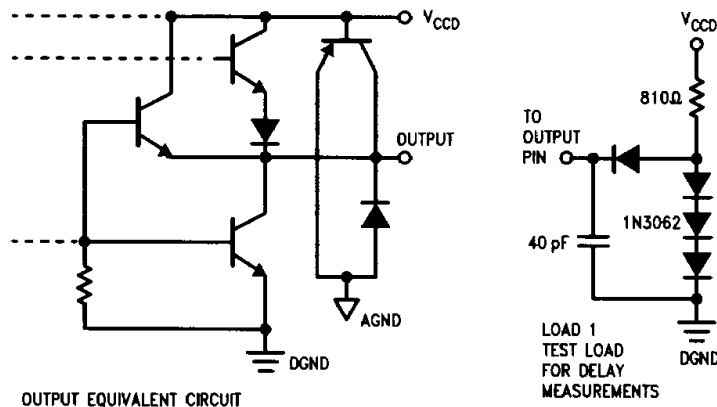


FIGURE 4. Simplified Digital Output Circuit

TL/H/11082-10

### Pin Descriptions

- V<sub>CCD</sub>** (6,10) These are the digital power supply pins. Normally, +5 V<sub>DC</sub> should be applied and bypassed to digital ground with a 0.1 μF ceramic capacitor in parallel with a 10 μF tantalum capacitor.
- V<sub>CCA</sub>** (19,25) These are the analog power supply pins. Normally, +5 V<sub>DC</sub> should be applied and bypassed to analog ground with a 0.1 μF capacitor in parallel with a 10 μF tantalum capacitor.
- AGND** (7,8,9) Analog ground pins.
- DGND** (5,11) Digital ground pins.
- RT** (18) This pin connects to the top of the reference resistor. Normally this pin is connected to +5 V<sub>DC</sub> reference and should be bypassed to AGND with a 0.1 μF ceramic capacitor in parallel with a 10 μF tantalum capacitor.
- RM** (27) This pin is connected to the middle of the reference resistor. A voltage may be applied to this pin to trim the converter's integral linearity (see text).
- RB** (26) This pin is connected to the bottom of the reference resistor. Normally +3V is applied to this pin and should be bypassed to analog ground with a 0.1 μF ceramic capacitor in parallel with a 10 μF tantalum capacitor.
- V<sub>IN</sub>** (21,23) These are the analog signal input pins, the two pins are internally connected. The input signal range is from +3V to +5V.
- CONV** (17) A TTL convert signal is applied to this pin. A conversion is initiated at the rising edge of the signal.
- NMINV** (28) This is the Not Most Significant Bit Invert pin. A TTL signal at this pin controls the format of the output data (see Table I).
- NLINV** (12) This is the Not Least Significant Bit Invert pin. A TTL signal at this pin controls the format of the output data (see Table I).
- D1-D8** These are the digital output pins. D1 outputs the MSB data while D8 outputs the LSB data.
- NC** No connection.

### Application Hints

#### OPERATION

The ADC0881 has three functional sections: a resistor/comparator array, encoding logic, and output registers. The resistor/comparator array compares the input signal with 255 reference voltages to produce an N-of-255 code (or thermometer code, since all the comparators whose reference is more negative than the input signal will be in logic "1" state and all those whose reference is more positive will be in logic "0" state). The encoding logic converts the N-of-255 code into the user's choice of coding. The output register holds the output constant between updates.

#### REFERENCE

The ADC0881 converts analog signals in the range  $V_{RB} \leq V_{IN} \leq V_{RT}$  into digital form. Nominally,  $V_{RB}$  is set to 3V and  $V_{RT}$  is set to 5V. However, the specifications of the ADC0881 are guaranteed as long as the following three reference operating conditions are met:

1. the voltage applied across the reference resistor chain ( $V_{RT} - V_{RB}$ ) is within the range of 1.8V to 2.2V,
2.  $V_{RT} \leq (V_{CCA} + 0.1V)$
3.  $V_{RB} \geq 2.65V$ .

Therefore, if the supply voltage is expected to drop below 4.9V, the reference voltages should be lowered accordingly. For instance, if the system design allows the supply voltage to drop to the minimum recommended value of 4.75V,  $V_{RT}$  should be set to 4.75V and  $V_{RB}$  should be set to 2.75V. At worst case,  $V_{RT}$  may be set at 4.85V and  $V_{RB}$  set at 2.85V. This assumes a 2 V<sub>p-p</sub> maximum input signal that spans from  $V_{IN} = V_{RB}$  to  $V_{IN} = V_{RT}$ . These reference voltages will allow the ADC0881 to give fully guaranteed performance over the full supply range. See the "Electrical Characteristics" table for further information.

Linearity is guaranteed with no adjustment; however, a mid-point tap,  $R_M$ , allows trimming of converter integral linearity as well as the creation of a nonlinear transfer function. Note that ADC0881's integral nonlinearity is  $\pm \frac{1}{2}$  LSB maximum. If the maximum non-linearity occurs at midscale then the circuit of Figure 5 will allow the user to null out the linearity error at midscale. This adjustment may improve the overall integral linearity of the converter to less than  $\pm \frac{1}{2}$  LSB.



## Application Hints (Continued)

The characteristic impedance seen at this node is approximately  $220\Omega$  and should be driven from a low-impedance source. Note that any load applied to this node will affect linearity, and any noise introduced at this point will degrade the overall quantization Signal to Noise Ratio. Due to the slight variation in the reference current with clock and input signals,  $R_T$  and  $R_B$  should be low-impedance-to-ground points. For circuits in which the reference is not varied, a bypass capacitor ( $0.01\ \mu\text{F}$  to  $0.1\ \mu\text{F}$ ) to ground is recommended. If the reference inputs are exercised dynamically (as in an automatic gain control circuit) a low-impedance reference source is required. The reference voltages may be varied dynamically at up to 5 MHz; however, device performance is specified with fixed reference voltages as defined in the "Electrical Characteristics" tables.

### ANALOG INPUT AND SOURCE IMPEDANCE CONSIDERATIONS

For precise quantization, the ADC0881 uses latching comparators. For optimum overall system performance the source impedance of the driving circuit must be less than  $25\Omega$ . If the input signal is between the  $V_{RT}$  and  $V_{RB}$  references, the output will be a binary number from 0 to 255. When a signal outside the recommended input voltage range is applied, the output will remain at either full-scale value. The input signal will not damage the ADC0881 if it remains within the range specified in the "Absolute Maximum Ratings" table. Both analog input pins ( $V_{IN}$ ) are connected together internally and therefore either one or both may be used.

### CONVERT

The ADC0881 requires an external convert (CONV) signal. Because the ADC0881 is a flash converter it does not require a track-and-hold circuit. A sample is taken (the outputs of the comparators are latched) within  $t_{STO}$  (Sampling Time Offset) after a rising edge on the CONV pin. The result is encoded on the falling edge, and then transferred to the output registers on the next rising edge. The output becomes valid  $t_D$  (Output Delay Time) after the rising edge of CONV and remains valid for at least  $t_{HO}$  (Output Hold Time) after the rising edge of CONV. Therefore, the value of sample N becomes valid  $t_D$  after the rising edge of clock N+1 and remains valid until  $t_{HO}$  after the rising edge of clock N+2. (See Figure 1, Timing Diagram.)

### OUTPUT FORMAT CONTROL

Two output format control pins, NMINV and NLINV, are provided. These controls are for DC (i.e., steady state) use. They permit the output coding to be either straight binary or offset two's complement, in either true or inverted sense, according to the "Output Coding Table". (See Table 1.) These active low pins may be tied to  $V_{CC}$  (through a  $4.7k$  resistor) for a logic "1" or DGND for a logic "0".

### OUTPUTS

The outputs of the ADC0881 are TTL compatible, capable of driving four low-power Schottky TTL (54/74 LS) loads or the equivalent. The outputs hold the previous data for a minimum of  $t_{HO}$  after the rising edge of the convert signal.

### POWER SUPPLIES

The ADC0881 operates from a single +5V supply voltage. All power and ground pins must be connected.  $V_{CCA}$  and  $V_{CCD}$  should be bypassed with a  $0.1\ \mu\text{F}$  ceramic capacitor in parallel with a  $10\ \mu\text{F}$  tantalum capacitor to the analog and digital grounds respectively. A ferrite bead may be used to provide high frequency isolation between the two supply pins.

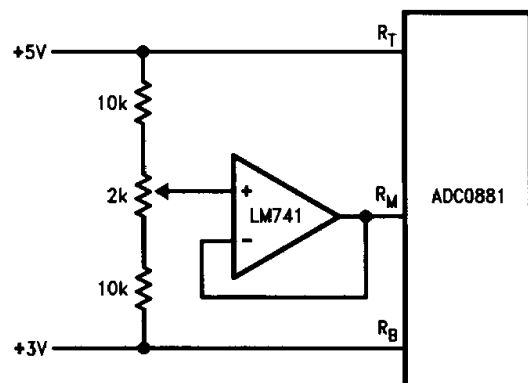
### TYPICAL INTERFACE CIRCUIT

A typical interface circuit (Figure 6) shows an example of a high-performance application circuit for the ADC0881. The wideband analog input operational amplifier drives the A/D converter directly. Bipolar inputs to the op amp can be accommodated by adjusting the offset control. A band-gap reference diode provides a stable reference for both the offset and gain controls. All  $V_{IN}$  pins are connected close to the device package and the input amplifier's feedback loop should be closed at this point. The buffer has an inverting gain of two, increasing a  $1\ V_{p-p}$  video input signal to the recommended  $2\ V_{p-p}$  input for the ADC0881. Proper decoupling is recommended for all systems.

A variable capacitor permits amplifier optimization for either step response or frequency response. This may be replaced with a fixed value capacitor as determined by evaluation of the final PC board layout.

The bottom reference voltage ( $V_{RB}$ ) is supplied by an inverting amplifier, buffered with a PNP transistor. The transistor provides a low-impedance source and is necessary to sink the current flowing through the reference resistor chain.

The Inexpensive Interface Circuit shown in Figure 7 offers considerable parts reduction for cost-sensitive applications where DC response is not required and loss of some power supply rejection is tolerable. The  $200\Omega$  resistors bias the input to +4V and provide the current to the Zener diode to provide the reference bottom voltage. The  $1\ \mu\text{F}$  capacitor decouples the input signal from the DC voltage present at the input of the ADC0881. The  $10\ \mu\text{F}$  and  $0.1\ \mu\text{F}$  capacitors, as well as the ferrite bead, provide power supply decoupling. The 1N5711 Schottky diodes are for protection against overvoltages at the input and are not required if these precautions are taken elsewhere in the circuit.



TL/H/11082-11

FIGURE 5. Optional Midscale Linearity Adjust



# Application Hints (Continued)

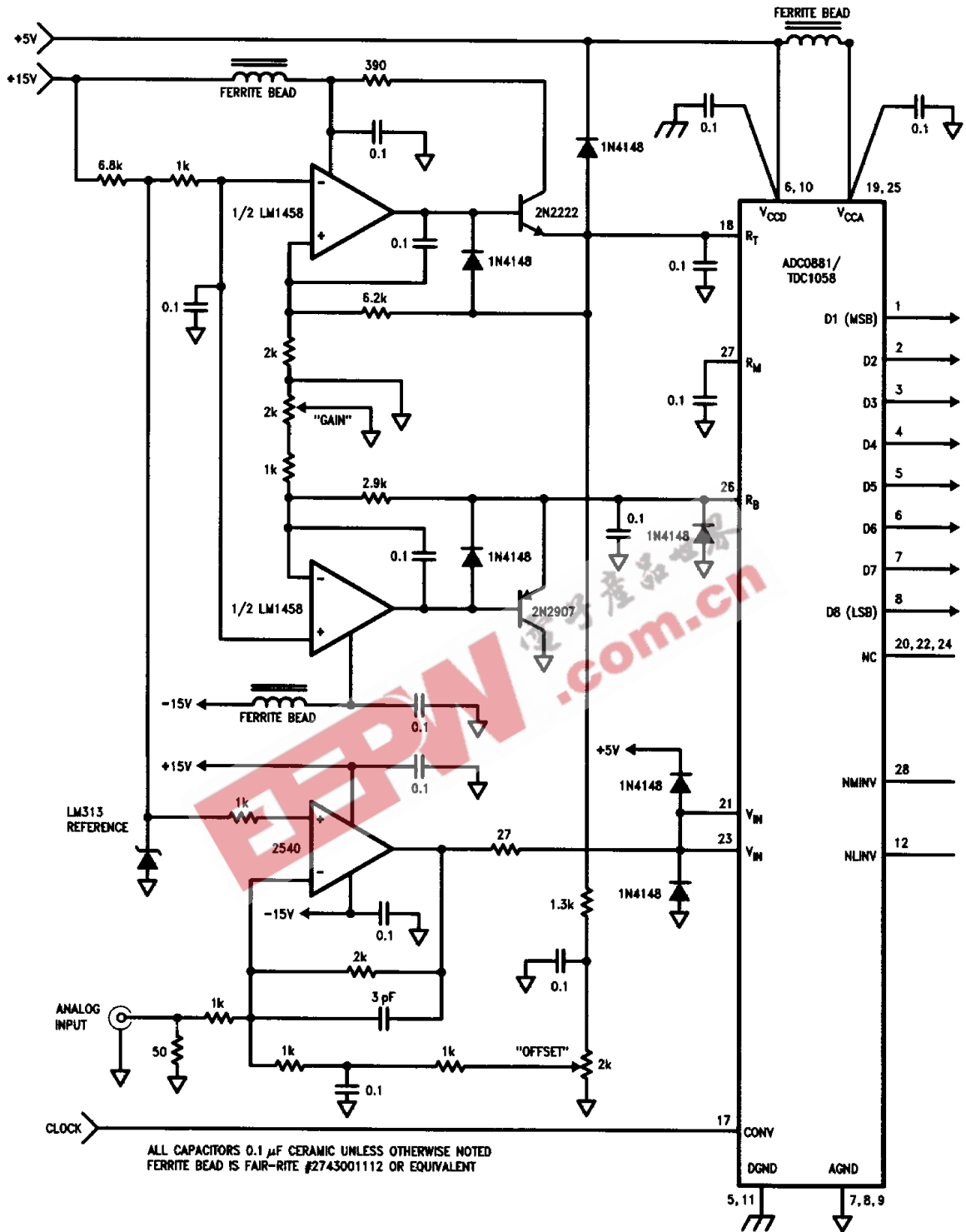


FIGURE 6. Typical Interface Circuit

TL/H/11082-12

### Application Hints (Continued)

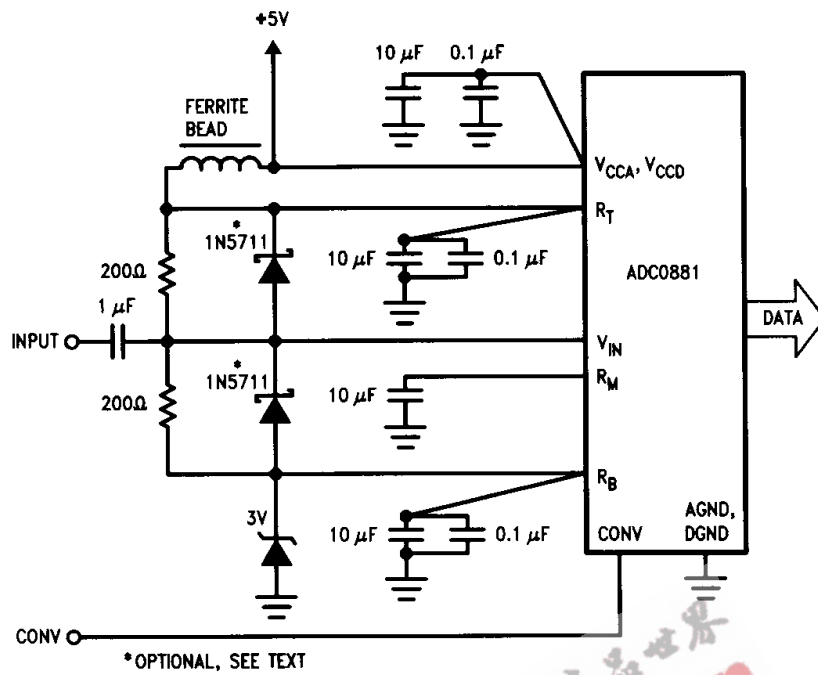
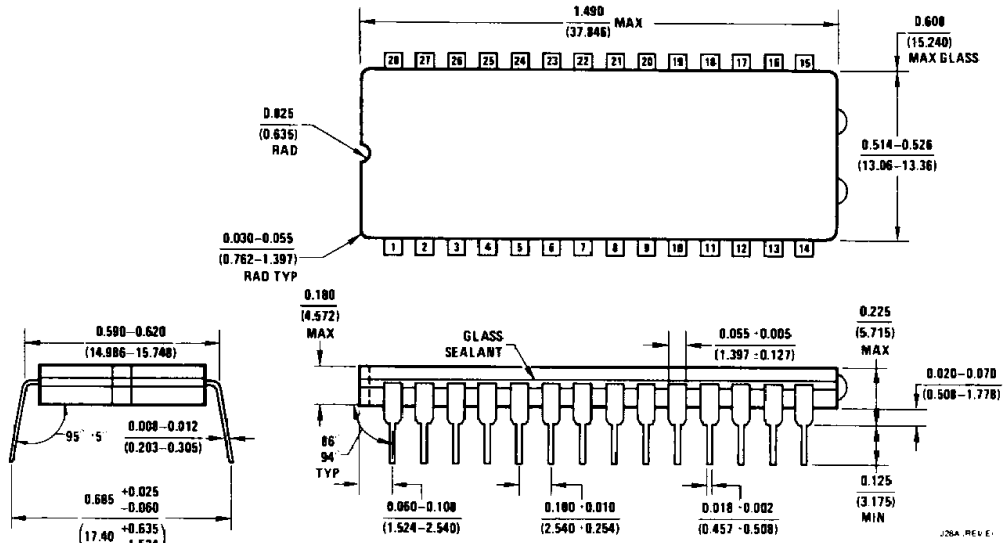


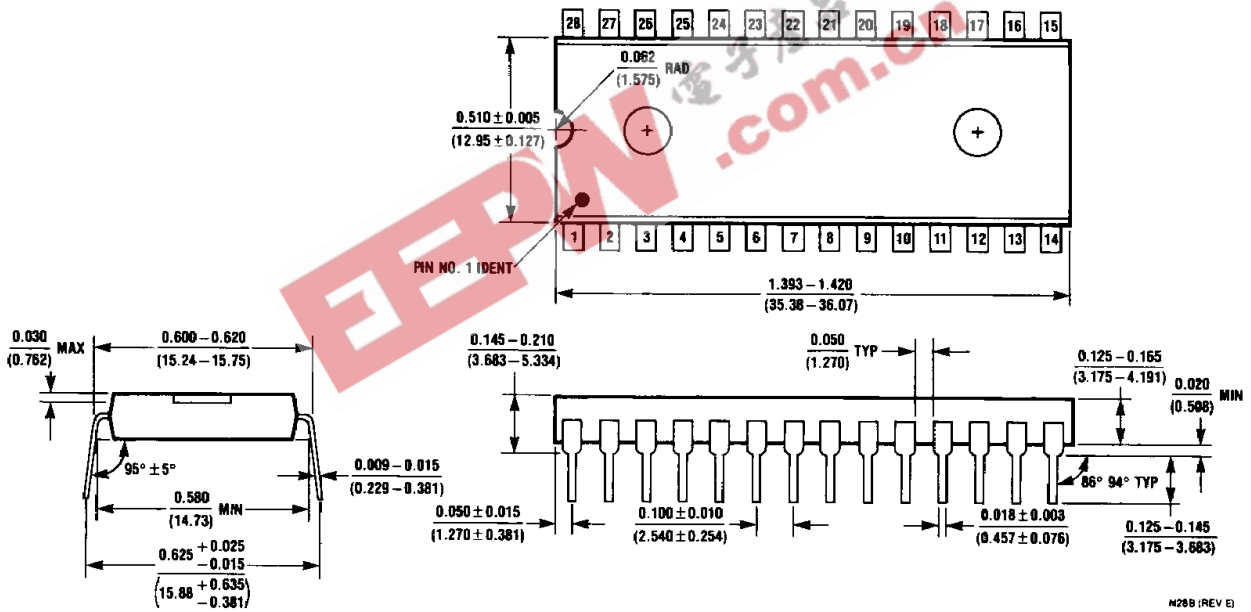
FIGURE 7. Inexpensive Interface Circuit

TL/H/11082-13

**Physical Dimensions** inches (millimeters)

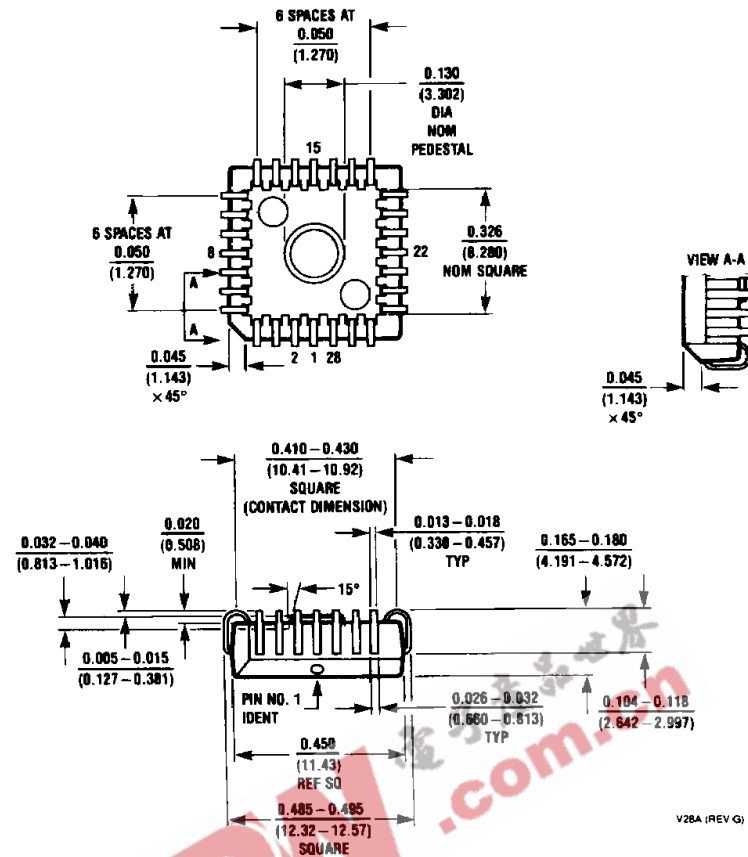


**28-Pin CERDIP (J)**  
 Order Number ADC0881CCJ or TDC1058B6C  
 NS Package Number J28A



**28-Pin Plastic DIP (N)**  
 Order Number ADC0881CCN or TDC1058N6C  
 NS Package Number N28B

**Physical Dimensions** inches (millimeters) (Continued)



**28-Lead Plastic Chip Carrier (V)**  
**Order Number ADC0881CCV or TDC1058R3C**  
**NS Package Number V28A**

**LIFE SUPPORT POLICY**

NATIONAL'S PRODUCTS ARE NOT AUTHORIZED FOR USE AS CRITICAL COMPONENTS IN LIFE SUPPORT DEVICES OR SYSTEMS WITHOUT THE EXPRESS WRITTEN APPROVAL OF THE PRESIDENT OF NATIONAL SEMICONDUCTOR CORPORATION. As used herein:

1. Life support devices or systems are devices or systems which, (a) are intended for surgical implant into the body, or (b) support or sustain life, and whose failure to perform, when properly used in accordance with instructions for use provided in the labeling, can be reasonably expected to result in a significant injury to the user.
2. A critical component is any component of a life support device or system whose failure to perform can be reasonably expected to cause the failure of the life support device or system, or to affect its safety or effectiveness.



**National Semiconductor Corporation**  
 2900 Semiconductor Drive  
 P.O. Box 58090  
 Santa Clara, CA 95052-8090  
 Tel: (408) 721-5000  
 TWX: (910) 339-9240

**National Semiconductor GmbH**  
 Industriestrasse 10  
 D-8060 Furstenfeldbruck  
 West Germany  
 Tel: (0-81-41) 103-0  
 Telex: 527-649  
 Fax: (08141) 103554

**National Semiconductor Japan Ltd.**  
 Sanseido Bldg. 5F  
 4-15 Nishi Shinjuku  
 Shinjuku-Ku,  
 Tokyo 160, Japan  
 Tel: 3-299-7001  
 FAX: 3-299-7000

**National Semiconductor Hong Kong Ltd.**  
 Suite 513, 5th Floor  
 Chinachem Golden Plaza,  
 77 Mody Road, Tsimshatsui East,  
 Kowloon, Hong Kong  
 Tel: 3-7231290  
 Telex: 52996 NSSEA HK  
 Fax: 3-3112536

**National Semicondutores Do Brasil Ltda.**  
 Av. Brig. Faria Lima, 1383  
 6.0 Andor-Conj. 62  
 01451 Sao Paulo, SP, Brasil  
 Tel: (55/11) 212-5066  
 Fax: (55/11) 211-1181 NSBR BR

**National Semiconductor (Australia) PTY, Ltd.**  
 1st Floor, 441 St. Kilda Rd.  
 Melbourne, 3004  
 Victoria, Australia  
 Tel: (03) 267-5000  
 Fax: 61-3-2677458