

IW4034B

8-STAGE STATIC BIDIRECTIONAL PARALLEL/ SERIAL INPUT/OUTPUT BUS REGISTER High-Voltage Silicon-Gate CMOS

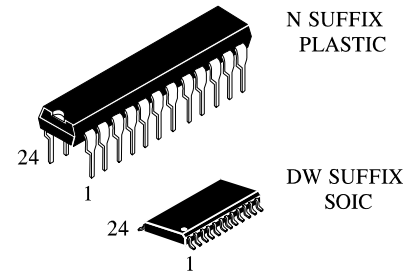
The IW4034B is a static eight-stage parallel-or serial-input parallel-output register. It can be used to:

1) bidirectionally transfer parallel information between two buses, 2) convert serial data to parallel form and direct the parallel data to either of two buses, 3) store (recirculate) parallel data, or 4) accept parallel data from either of two buses and convert that data to serial form. Inputs that control the operations include a single-phase CLOCK (CL), A DATA ENABLE (AE), ASYNCHRONOUS/SYNCHRONOUS (A/S), A-BUS-TO-B-BUS/ B-BUS-TO-A-BUS (A/B), and PARALLEL/SERIAL (P/S).

Data inputs include 16 bidirectional parallel data lines of which the eight A data lines are inputs (3-state outputs) and the B data lines are outputs (inputs) depending on the signal level on the A/B input. In addition, an input for SERIAL DATA is also provided.

All register stages are D-type master-slave flip-flops with separate master and slave clock inputs generated internally to allow synchronous or asynchronous data transfer from master to slave.

- Operating Voltage Range: 3.0 to 18 V
- Maximum input current of 1 μ A at 18 V over full package-temperature range; 100 nA at 18 V and 25°C
- Noise margin (over full package temperature range):
1.0 V min @ 5.0 V supply
2.0 V min @ 10.0 V supply
2.5 V min @ 15.0 V supply

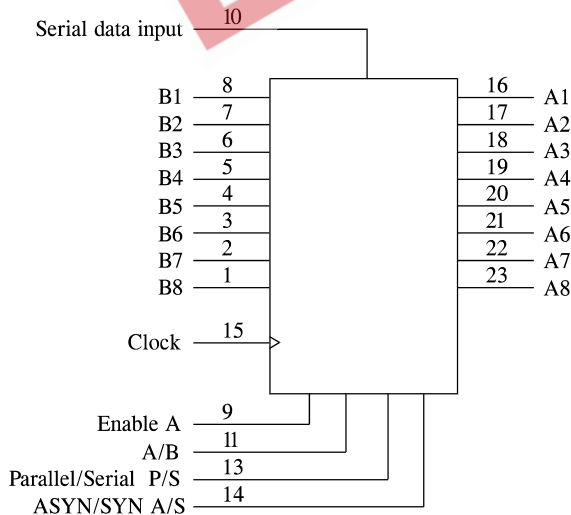


ORDERING INFORMATION

IW4034BN Plastic
IW4034BDW SOIC

$T_A = -55^\circ$ to 125° C for all packages

LOGIC DIAGRAM



PIN 24= V_{CC}
PIN 12= GND

PIN ASSIGNMENT

B8	1	24	V_{CC}
B7	2	23	A8
B6	3	22	A7
B5	4	21	A6
B4	5	20	A5
B3	6	19	A4
B2	7	18	A3
B1	8	17	A2
Enable A	9	16	A1
Serial Data Input	10	15	Clock
A/B	11	14	Asynchronous/Synchronous to the Clock
GND	12	13	Parallel/Serial

IW4034B

MAXIMUM RATINGS*

Symbol	Parameter	Value	Unit
V_{CC}	DC Supply Voltage (Referenced to GND)	-0.5 to +20	V
V_{IN}	DC Input Voltage (Referenced to GND)	-0.5 to $V_{CC} + 0.5$	V
V_{OUT}	DC Output Voltage (Referenced to GND)	-0.5 to $V_{CC} + 0.5$	V
I_{IN}	DC Input Current, per Pin	± 10	mA
P_D	Power Dissipation in Still Air, Plastic DIP+ SOIC Package+	750 500	mW
P_D	Dissipation per Output Transistor	100	mW
Tstg	Storage Temperature	-65 to +150	°C
T_L	Lead Temperature, 1 mm from Case for 10 Seconds (Plastic DIP or SOIC Package)	260	°C

*Maximum Ratings are those values beyond which damage to the device may occur. Functional operation should be restricted to the Recommended Operating Conditions.

+Derating - Plastic DIP: - 10 mW/°C from 65° to 125°C

SOIC Package: : - 7 mW/°C from 65° to 125°C

RECOMMENDED OPERATING CONDITIONS

Symbol	Parameter	Min	Max	Unit
V_{CC}	DC Supply Voltage (Referenced to GND)	3.0	18	V
V_{IN}, V_{OUT}	DC Input Voltage, Output Voltage (Referenced to GND)	0	V_{CC}	V
T_A	Operating Temperature, All Package Types	-55	+125	°C

This device contains protection circuitry to guard against damage due to high static voltages or electric fields. However, precautions must be taken to avoid applications of any voltage higher than maximum rated voltages to this high-impedance circuit. For proper operation, V_{IN} and V_{OUT} should be constrained to the range $GND \leq (V_{IN} \text{ or } V_{OUT}) \leq V_{CC}$.

Unused inputs must always be tied to an appropriate logic voltage level (e.g., either GND or V_{CC}). Unused outputs must be left open.

IW4034B

DC ELECTRICAL CHARACTERISTICS (Voltages Referenced to GND)

Symbol	Parameter		Test Conditions	V _{CC} V	Guaranteed Limit			Unit
					≥-55°C	25°C	≤125°C	
V _{IH}	Minimum High-Level Input Voltage	High-Input	V _{OUT} = 0.5 V or V _{CC} - 0.5V	5.0	3.5	3.5	3.5	V
			V _{OUT} = 1.0 V or V _{CC} - 1.0 V	10	7	7	7	
			V _{OUT} = 1.5 V V _{CC} - 1.5V	15	11	11	11	
V _{IL}	Maximum Low-Level Input Voltage	Low-Input	V _{OUT} = 0.5 V or V _{CC} - 0.5V	5.0	1.5	1.5	1.5	V
			V _{OUT} = 1.0 V or V _{CC} - 1.0 V	10	3	3	3	
			V _{OUT} = 1.5 V V _{CC} - 1.5V	15	4	4	4	
V _{OH}	Minimum High-Level Output Voltage	High-Output	V _{IN} =GND or V _{CC}	5.0	4.95	4.95	4.95	V
				10	9.95	9.95	9.95	
				15	14.95	14.95	14.95	
V _{OL}	Maximum Low-Level Output Voltage	Low-Output	V _{IN} =GND or V _{CC}	5.0	0.05	0.05	0.05	V
				10	0.05	0.05	0.05	
				15	0.05	0.05	0.05	
I _{IN}	Maximum Input Leakage Current		V _{IN} = GND or V _{CC}	18	±0.1	±0.1	±1.0	μA
I _{OZ}	Minimum Three State Leakage Current		Output in High-Impedance State V _{IN} = GND or V _{CC} V _{OUT} = GND or V _{CC}	18	±0.4	±0.4	±12.0	μA
I _{CC}	Maximum Quiescent Supply Current (per Package)	Supply	V _{IN} = GND or V _{CC}	5.0	5	5	150	μA
				10	10	10	300	
				15	20	20	600	
				20	100	100	3000	
I _{OL}	Minimum Output Low Current (Sink)	Output (Sink)	V _{IN} = GND or V _{CC} U _{OL} =0.4 V U _{OL} =0.5 V U _{OL} =1.5 V	5.0	0.64	0.51	0.36	mA
				10	1.6	1.3	0.9	
				15	4.2	3.4	2.4	
I _{OH}	Minimum Output High Current (Source)	Output (Source)	V _{IN} = GND or V _{CC} U _{OH} =2.5 V U _{OH} =4.6 V U _{OH} =9.5 V U _{OH} =13.5 V	5.0	-2	-1.6	-1.15	mA
				5.0	-0.64	-0.51	-0.36	
				10	-1.6	-1.3	-0.9	
				15	-4.2	-3.4	-2.4	

IW4034B

AC ELECTRICAL CHARACTERISTICS ($C_L=50\text{pF}$, $R_L=200\text{k}\Omega$, Input $t_r=t_f=20\text{ ns}$)

Symbol	Parameter	V_{CC} V	Guaranteed Limit			Unit
			≥ -55 $^{\circ}\text{C}$	25°C	≤ 125 $^{\circ}\text{C}$	
f_{max}	Maximum Clock Frequency (Figure 2)	5.0	2	2	1	MHz
		10	5	5	2.5	
		15	7	7	3.5	
t_{PHL} , t_{PLH}	Maximum Propagation Delay, A(B) Parallel Data In to B(A) Parallel Data Out; Serial to Parallel Data Out (Figures 1,2)	5.0	700	700	1400	ns
		10	240	240	480	
		15	170	170	340	
t_{PLZ} , t_{PHZ} , t_{PZL} , t_{PZH}	Maximum Propagation Delay, A/B or AE to "A" Output (Figure 3)	5.0	400	400	800	ns
		10	160	160	320	
		15	120	120	240	
t_{THL} , t_{TLH}	Maximum Output Transition Time, Any Output (Figures 1,2)	5.0	200	200	400	ns
		10	100	100	200	
		15	80	80	160	
C_{IN}	Maximum Input Capacitance	-		7.5		pF

TIMING REQUIREMENTS ($C_L=50\text{pF}$, $R_L=200\text{ k}\Omega$, Input $t_r=t_f=20\text{ ns}$)

Symbol	Parameter	V_{CC} V	Guaranteed Limit			Unit
			≥ -55 $^{\circ}\text{C}$	25°C	$\leq 125^{\circ}$ C	
t_{su}	Minimum Setup Time, Serial Data to Clock (Figure 4)	5.0	160	160	320	ns
		10	60	60	120	
		15	40	40	80	
t_{su}	Minimum Setup Time, Parallel Data to Clock (Figure 4)	5.0	50	50	100	ns
		10	30	30	60	
		15	20	20	40	
t_{h}	Minimum Hold Time, Clock to Data (Figure 4)	5.0	50	50	100	ns
		10	15	15	30	
		15	10	10	20	
t_{w}	Minimum Pulse Width, AE, P/S, A/S (Figure 5)	5.0	350	350	700	ns
		10	140	140	280	
		15	80	80	160	
t_{w}	Minimum Pulse Width, Clock (Figure 2)	5.0	250	250	500	ns
		10	100	100	200	
		15	70	70	140	
t_r , t_f	Minimum Input Rise or Fall Time, Clock (Figure 2)	5.0	15	15	30	ns
		10	15	15	30	
		15	15	15	30	

TRUTH TABLE FOR REGISTER INPUT-LEVELS AND RESULTING REGISTER OPERATION

"A" Enable	P/S	A/B	A/S	Operation*
L	L	L	X	Serial Mode; Synch. Serial Data Input, "A" Parallel Data Outputs Disabled
L	L	H	X	Serial Mode, Synch. Serial Data Input, "B" Parallel Data Output
L	H	L	L	Parallel Mode; "B" Synch. Parallel Data Inputs, "A" Parallel Data Outputs Disabled
L	H	L	H	Parallel Mode; "B" Asynch. Parallel Data Inputs, "A" Parallel Data Outputs Disabled
L	H	H	L	Parallel Mode; "A" Parallel Data Inputs Disabled, "B" Parallel Data Outputs, Synch. Data Recirculation
L	H	H	H	Parallel Mode; "A" Parallel Data Inputs Disabled, "B" Parallel Data Outputs, Asynch. Data Recirculation
H	L	L	X	Serial Mode; Synch. Serial Data Input, "A" Parallel Data Output
H	L	H	X	Serial Mode; Synch. Serial Data Input, "B" Parallel Data Output
H	H	L	L	Parallel Mode; "B" Synch. Parallel Data Input, "A" Parallel Data Output
H	H	L	H	Parallel Mode; "B" Asynch. Parallel Data Input, "A" Parallel Data Output
H	H	H	L	Parallel Mode; "A" Synch. Parallel Data Input, "B" Parallel Data Output
H	H	H	H	Parallel Mode; "A" Asynch. Parallel Data Input, "B" Parallel Data Output

* Outputs change at positive transition of clock in the serial mode and when the A/S control input is "low" in the parallel mode. During transfer from parallel to serial operation A/S should remain low in order to prevent D_s transfer into Flip Flops.

X = Don't Care

PARALLEL OPERATION

A high P/S input signal allows data transfer into the register via the parallel data lines synchronously with the positive transition of the clock provided the A/S input is low. If the A/S input is high the transfer is independent of the clock. The direction of data flow is controlled by the A/B input. When this signal is high the A data lines are inputs (and B data lines are outputs); a low A/B signal reverses the direction of data flow.

The AE input is an additional feature which allows many registers to feed data to a common bus. The A DATA lines are enabled only when this signal is high.

Data storage through recirculation of data in each register stage is accomplished by making the A/B signal high and the AE signal low.

SERIAL OPERATION

A low P/S signal allows serial data to transfer into the register synchronously with the positive transition of the clock. The A/S input is internally disabled when the register is in the serial mode (asynchronous serial operation is not allowed).

The serial data appears as output data on either the B lines (when A/B is high) or the A lines (when A/B is low and the AE signal is high).

FLIP-FLOP TRUTH TABLE

Inputs			Output
\overline{CL}_M	\overline{CL}_S	D	Q
		L	L
		L	L
		L	INVALID CONDITION
		X	L
		H	H
		H	H
		H	INVALID CONDITION

X = don't care

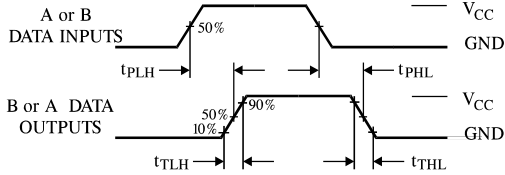


Figure 1. Asynchronous operation

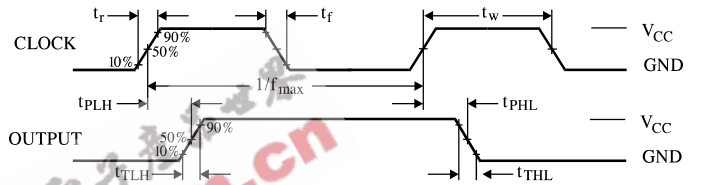


Figure 2. Synchronous operation

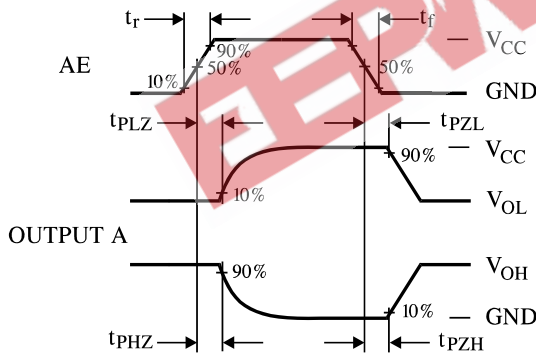


Figure 3. Switching Waveforms

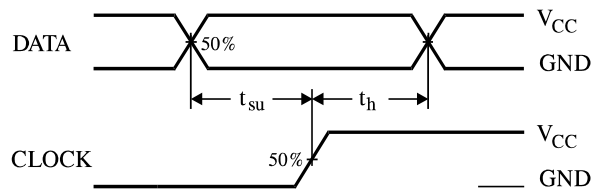


Figure 4. Switching Waveforms

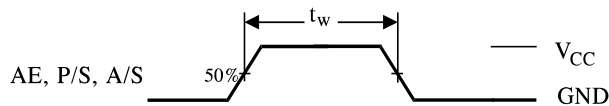
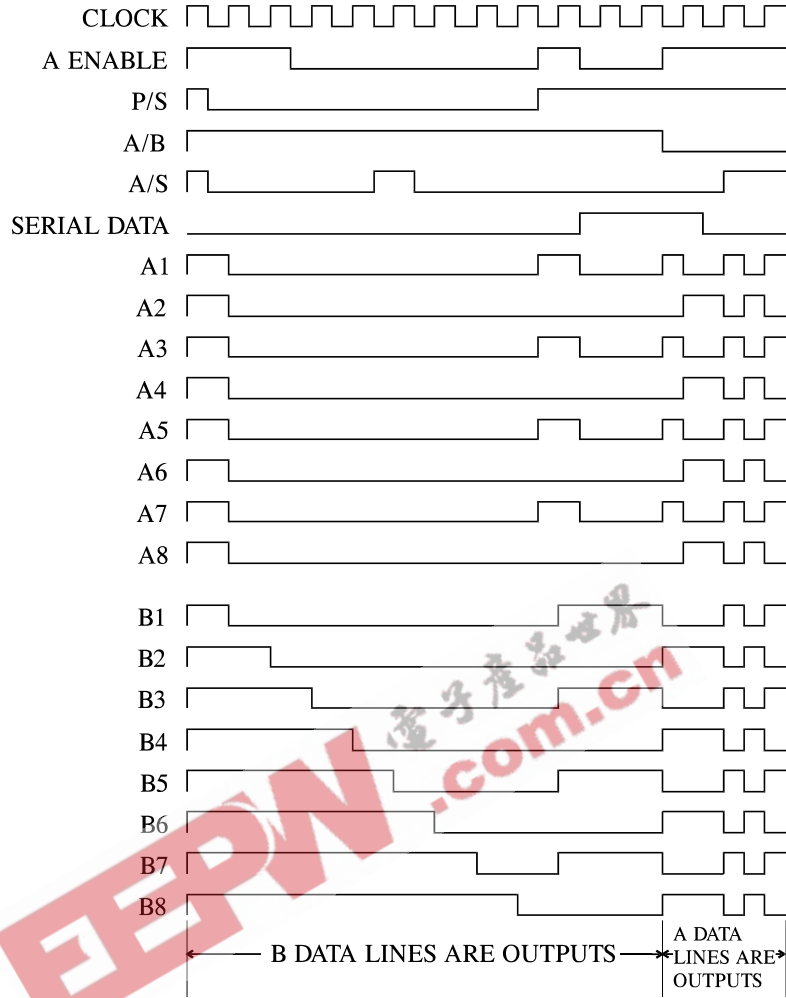


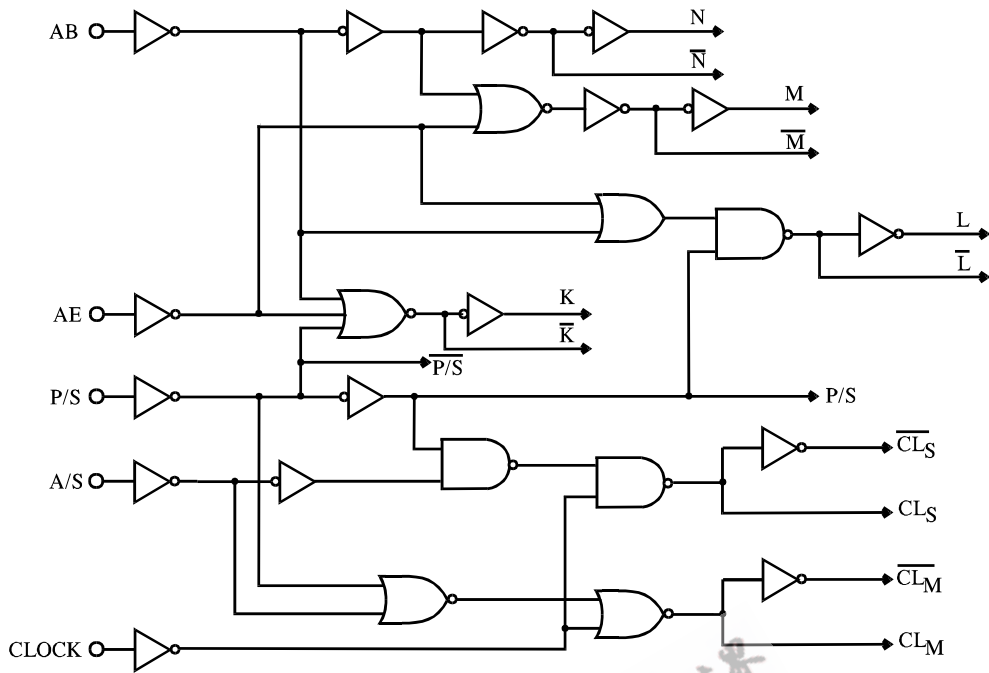
Figure 5. Switching Waveforms

TIMING DIAGRAM

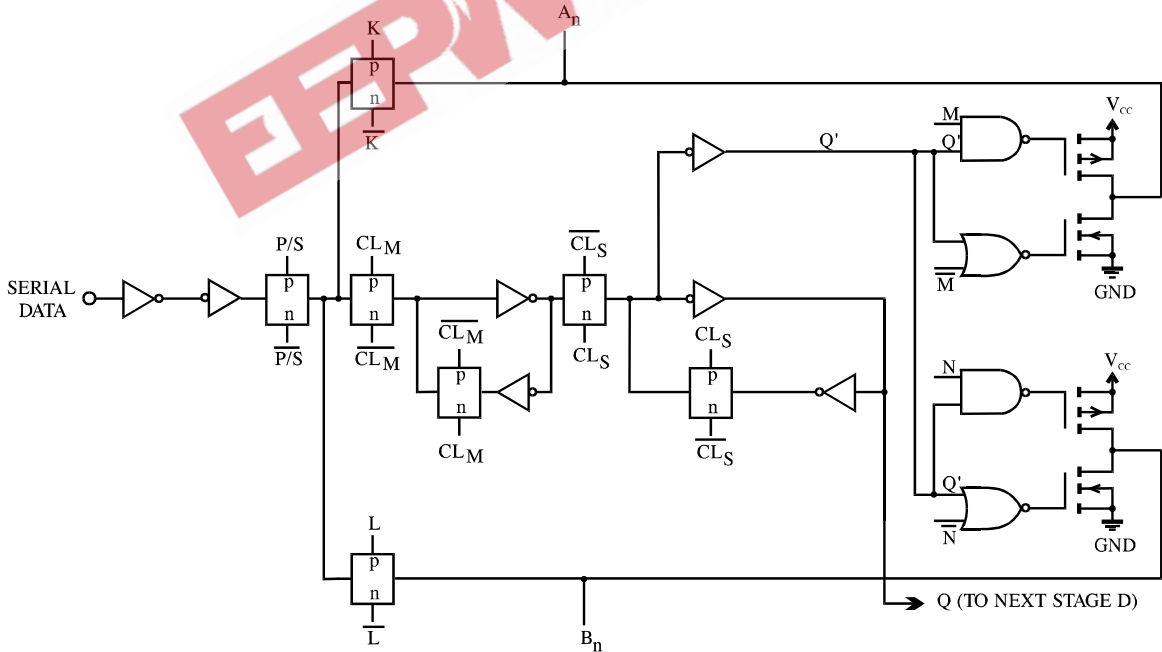


IW4034B

EXPANDED LOGIC DIAGRAM



Steering logic diagram



Register stage logic diagram (1/8 stages)