

# P4C1023/P4C1023L LOW POWER 128K x 8 SINGLE CHIP ENABLE CMOS STATIC RAM



## FEATURES

- $V_{CC}$  Current
  - Operating: 35mA
  - CMOS Standby: 100 $\mu$ A
- Access Times
  - 55/70 ns
- Single 5 Volts  $\pm$ 10% Power Supply
- Easy Memory Expansion Using  $\overline{CE}$  and  $\overline{OE}$  Inputs
- Common Data I/O
- Three-State Outputs
- Fully TTL Compatible Inputs and Outputs
- Advanced CMOS Technology
- Automatic Power Down
- Packages
  - 32-Pin 400 or 600 mil Ceramic DIP
  - 32-Pin Ceramic SOJ



## DESCRIPTION

The P4C1023L is a 1 Megabit low power CMOS static RAM organized as 128K x 8. The CMOS memory requires no clocks or refreshing, and has equal access and cycle times. Inputs are fully TTL-compatible. The RAM operates from a single 5V $\pm$ 10% tolerance power supply.

Access times of 55 ns and 70 ns are available. CMOS is utilized to reduce power consumption to a low level.

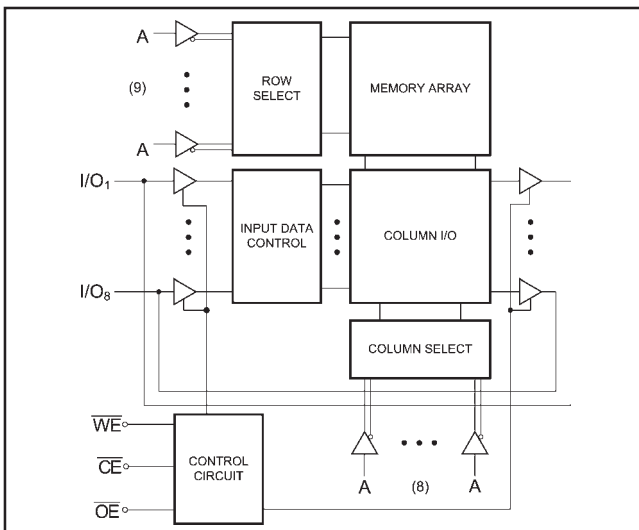
The P4C1023L device provides asynchronous operation with matching access and cycle times. Memory

locations are specified on address pins  $A_0$  to  $A_{16}$ . Reading is accomplished by device selection ( $\overline{CE}$  low) and output enabling ( $\overline{OE}$ ) while write enable ( $\overline{WE}$ ) remains HIGH. By presenting the address under these conditions, the data in the addressed memory location is presented on the data input/output pins. The input/output pins stay in the HIGH Z state when either  $\overline{CE}$  is HIGH or  $\overline{WE}$  is LOW.

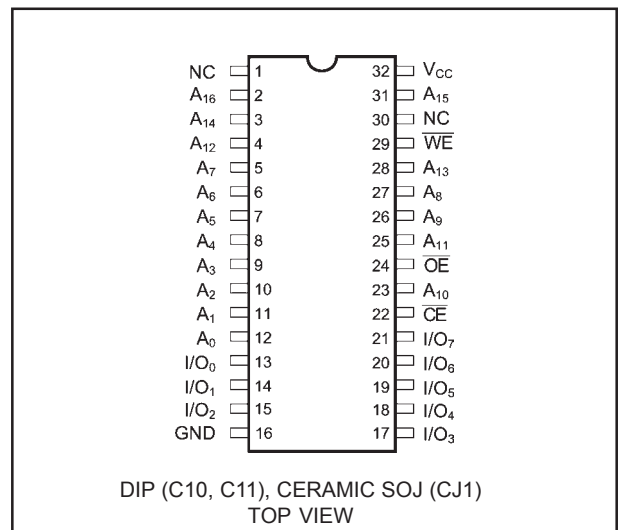
The P4C1023L is packaged in a 32-pin 400 or 600 mil ceramic DIP and in a 32-pin ceramic SOJ.



## FUNCTIONAL BLOCK DIAGRAM



## PIN CONFIGURATION



**RECOMMENDED OPERATING TEMPERATURE & SUPPLY VOLTAGE**

Temperature Range (Ambient)	Supply Voltage
Commercial (0°C to 70°C)	$4.5V \leq V_{CC} \leq 5.5V$
Industrial (-40°C to 85°C)	$4.5V \leq V_{CC} \leq 5.5V$
Military (-55°C to 125°C)	$4.5V \leq V_{CC} \leq 5.5V$

**MAXIMUM RATINGS**

Stresses greater than those listed can cause permanent damage to the device. These are absolute stress ratings only. Functional operation of the device is not implied at these or any other conditions in excess of those given in the operational sections of this data sheet. Exposure to Maximum Ratings for extended periods can adversely affect device reliability.

Symbol	Parameter	Min	Max	Unit
$V_{CC}$	Supply Voltage with Respect to GND	-0.5	7.0	V
$V_{TERM}$	Terminal Voltage with Respect to GND (up to 7.0V)	-0.5	$V_{CC} + 0.5$	V
$T_A$	Operating Ambient Temperature	-55	125	°C
$S_{TG}$	Storage Temperature	-65	150	°C
$I_{OUT}$	Output Current into Low Outputs		25	mA
$I_{LAT}$	Latch-up Current	>200		mA

**DC ELECTRICAL CHARACTERISTICS**

(Over Recommended Operating Temperature & Supply Voltage)

Symbol	Parameter	Test Conditions	Min	Max	Unit
$V_{OH}$	Output High Voltage ( $I/O_0 - I/O_7$ )	$I_{OH} = -1mA, V_{CC} = 4.5V$	2.4		V
$V_{OL}$	Output Low Voltage ( $I/O_0 - I/O_7$ )	$I_{OL} = 2.1mA$		0.4	V
$V_{IH}$	Input High Voltage		2.2	$V_{CC} + 0.3$	V
$V_{IL}$	Input Low Voltage		-0.3	0.8	V
$I_{LI}$	Input Leakage Current	$GND \leq V_{IN} \leq V_{CC}$	Comm. Industrial Military	+2 +5 +10	$\mu A$
$I_{LO}$	Output Leakage Current	$GND \leq V_{OUT} \leq V_{CC}$ $\overline{CE}_1 \geq V_{IH}$ or $CE_2 \leq V_{IL}$	Comm. Industrial Military	+2 +5 +10	$\mu A$
$I_{SB}$	$V_{CC}$ Current TTL Standby Current (TTL Input Levels)	$V_{CC} = 5.5V, I_{OUT} = 0 mA$ $\overline{CE}_1 = V_{IH}$ or $CE_2 = V_{IL}$		3	mA
$I_{SB1}$	$V_{CC}$ Current CMOS Standby Current (CMOS Input Levels)	$V_{CC} = 5.5V, I_{OUT} = 0 mA$ $\overline{CE}_1 \geq V_{CC} - 0.2V, CE_2 \leq 0.2V$		100	$\mu A$

**CAPACITANCES<sup>(4)</sup>** $(V_{CC} = 5.0V, T_A = 25^\circ C, f = 1.0 \text{ MHz})$ 

Symbol	Parameter	Test Conditions	Max	Unit
$C_{IN}$	Input Capacitance	$V_{IN} = 0V$	7	pF
$C_{OUT}$	Output Capacitance	$V_{OUT} = 0V$	9	pF

**POWER DISSIPATION CHARACTERISTICS VS. SPEED**

Symbol	Parameter	Temperature Range	Note 1		Unit
			-55	-70	
$I_{CC}$	Dynamic Operating Current	Commercial	20	20	mA
		Industrial	25	25	
		Military	35	35	

**Note 1** - Tested with outputs open and all address and data inputs changing at the maximum write-cycle rate.

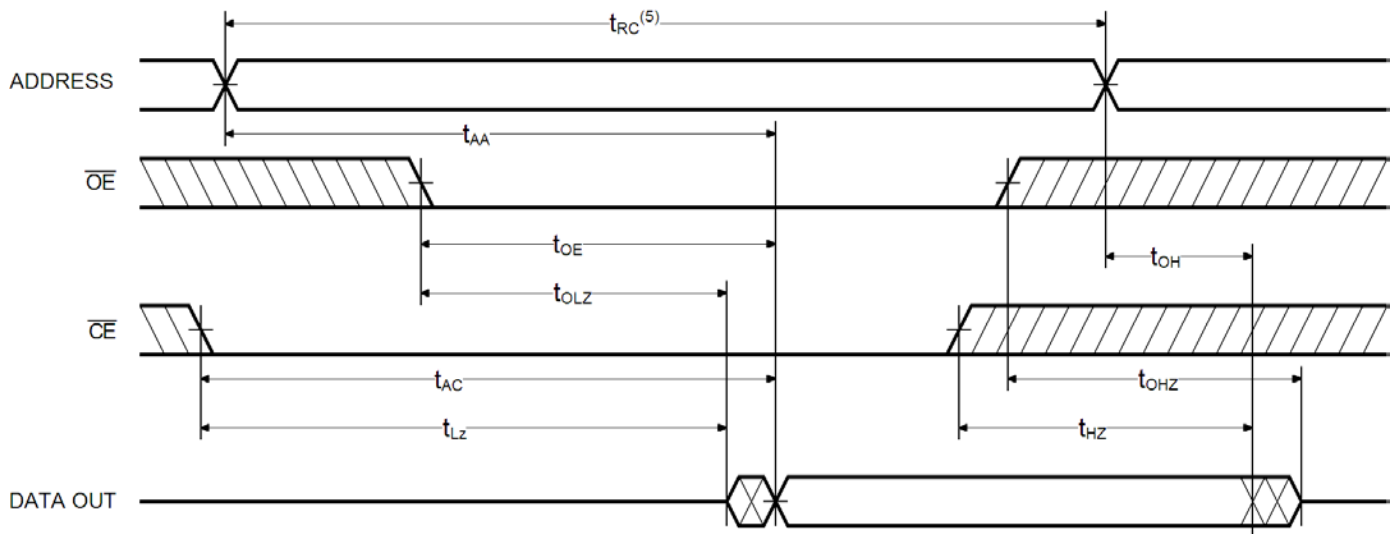
The device is continuously enabled for writing, i.e.,  $CE_2 \geq V_{IH}(\text{min})$ ,  $\overline{CE}_1$  and  $\overline{WE} \leq V_{IL}(\text{max})$ ,  $\overline{OE}$  is high. Switching inputs are 0V and 3V.

**AC ELECTRICAL CHARACTERISTICS - READ CYCLE**

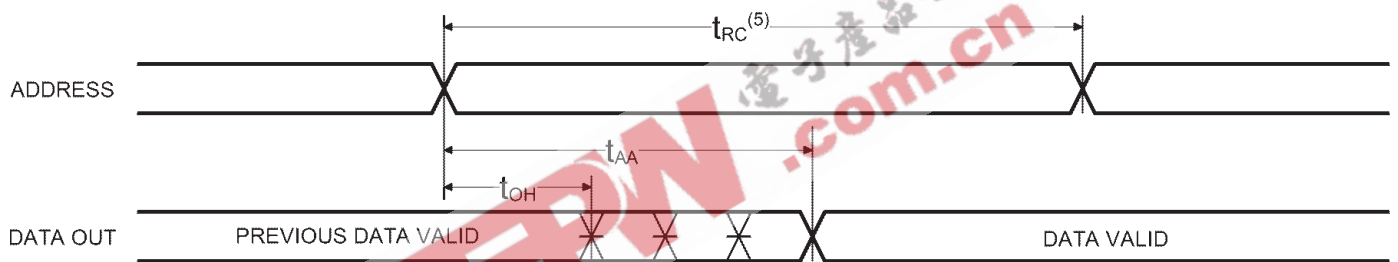
(Over Recommended Operating Temperature &amp; Supply Voltage)

Symbol	Parameter	-55		-70		Unit
		Min	Max	Min	Max	
$t_{RC}$	Read Cycle Time	55		70		ns
$t_{AA}$	Address Access Time		55		70	ns
$t_{AC}$	Chip Enable Access Time		55		70	ns
$t_{OH}$	Output Hold from Address Change	5		5		ns
$t_{LZ}$	Chip Enable to Output in Low Z	10		10		ns
$t_{HZ}$	Chip Disable to Output in High Z		20		25	ns
$t_{OE}$	Output Enable Low to Data Valid		30		35	ns
$t_{OLZ}$	Output Enable Low to Low Z	5		5		ns
$t_{OHZ}$	Output Enable High to High Z		20		25	ns
$t_{PU}$	Chip Enable to Power Up Time	0		0		ns
$t_{PD}$	Chip Disable to Power Down Time		55		70	ns

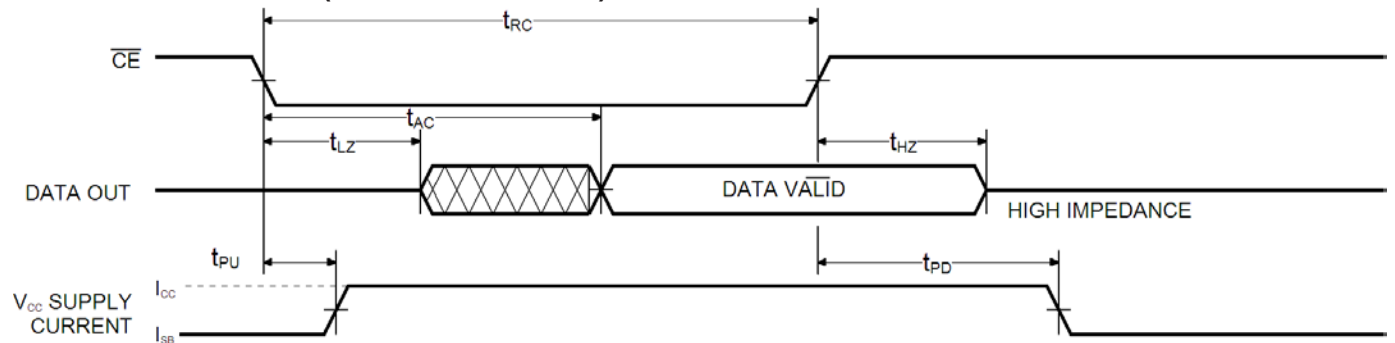
**READ CYCLE NO. 1 ( $\overline{OE}$  CONTROLLED)<sup>(1)</sup>**



**READ CYCLE NO. 2 (ADDRESS CONTROLLED)**



**READ CYCLE NO. 3 ( $\overline{CE}$  CONTROLLED)**



**Notes:**

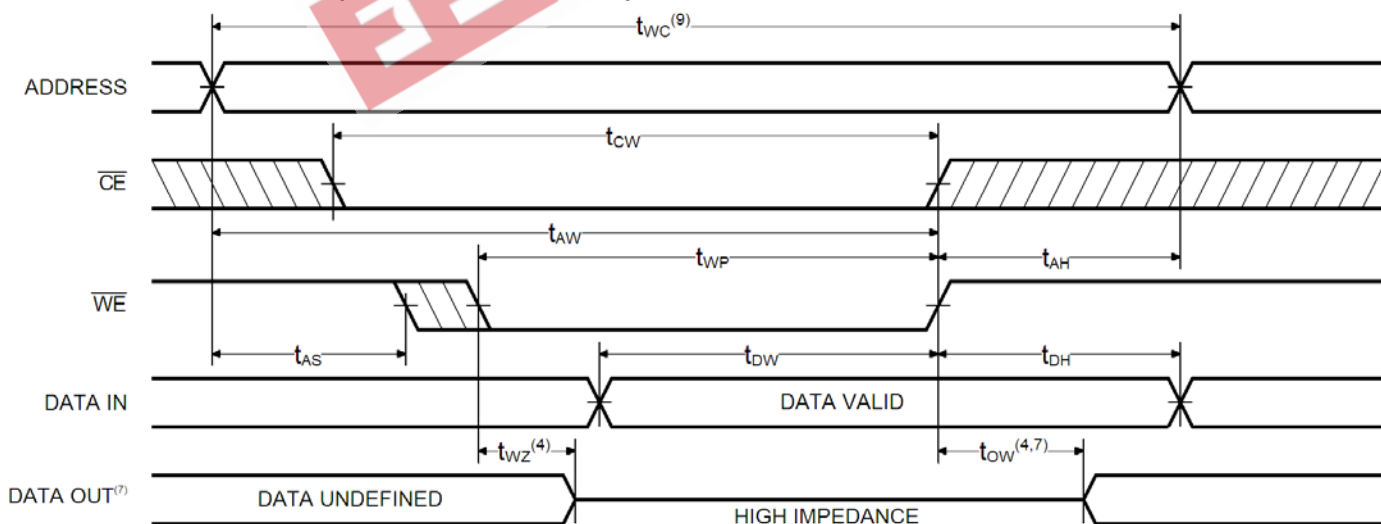
1.  $\overline{WE}$  is HIGH for READ cycle.
2.  $\overline{CE}$  and  $\overline{OE}$  are LOW for READ cycle.
3. ADDRESS must be valid prior to, or coincident with later of  $\overline{CE}$  transition LOW.

4. Transition is measured  $\pm 200$  mV from steady state voltage prior to change, with loading as specified in Figure 1. This parameter is sampled and not 100% tested.
5. READ Cycle Time is measured from the last valid address to the first transitioning address.

**AC CHARACTERISTICS - WRITE CYCLE**

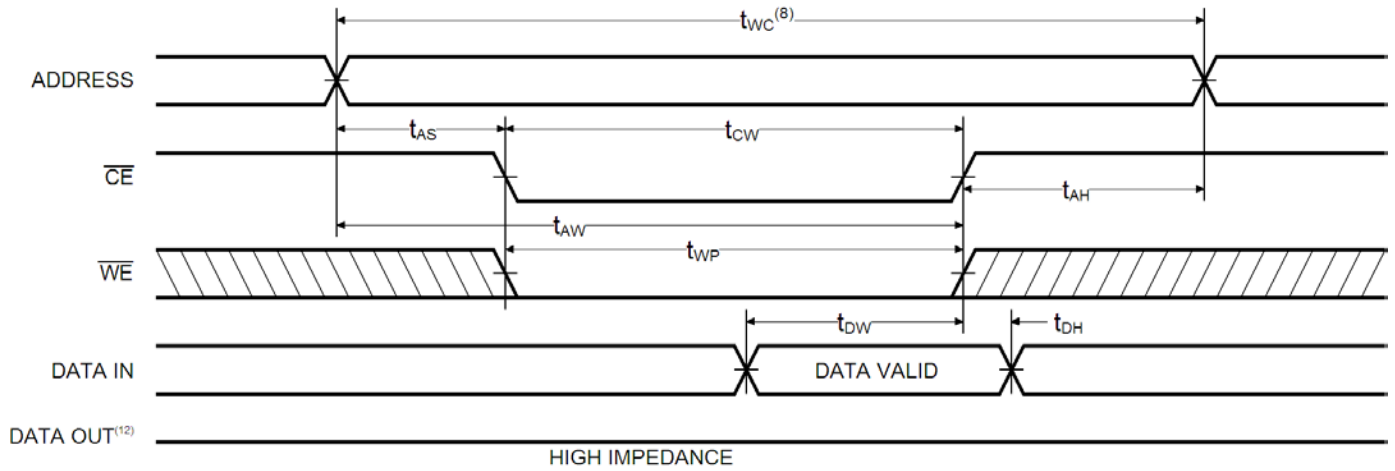
(Over Recommended Operating Temperature &amp; Supply Voltage)

Symbol	Parameter	-55		-70		Unit
		Min	Max	Min	Max	
$t_{WC}$	Write Cycle Time	55		70		ns
$t_{CW}$	Chip Enable Time to End of Write	50		60		ns
$t_{AW}$	Address Valid to End of Write	50		60		ns
$t_{AS}$	Address Set-up Time	0		0		ns
$t_{WP}$	Write Pulse Width	40		50		ns
$t_{AH}$	Address Hold Time	0		0		ns
$t_{DW}$	Data Valid to End of Write	25		30		ns
$t_{DH}$	Data Hold Time	0		0		ns
$t_{WZ}$	Write Enable to Output in High Z		25		30	ns
$t_{OW}$	Output Active from End of Write	5		5		ns

**WRITE CYCLE NO. 1 ( $\overline{WE}$  CONTROLLED)<sup>(6)</sup>****Notes:**

- $\overline{CE}$  and  $\overline{WE}$  are LOW for WRITE cycle.
- $\overline{OE}$  is LOW for this WRITE cycle to show  $t_{WZ}$  and  $t_{OW}$ .
- Write Cycle Time is measured from the last valid address to the first transitioning address.

**TIMING WAVEFORM OF WRITE CYCLE NO.2 ( $\overline{CE}$  CONTROLLED)<sup>(6)</sup>**

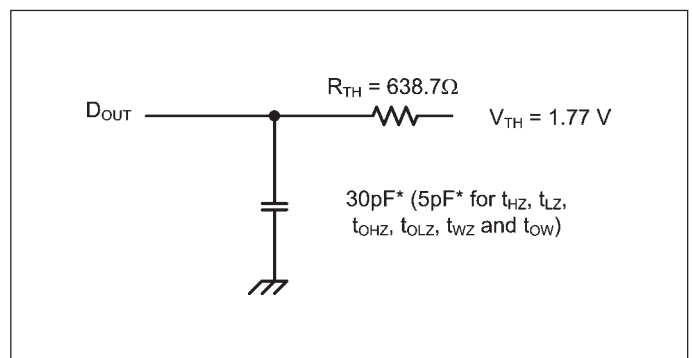
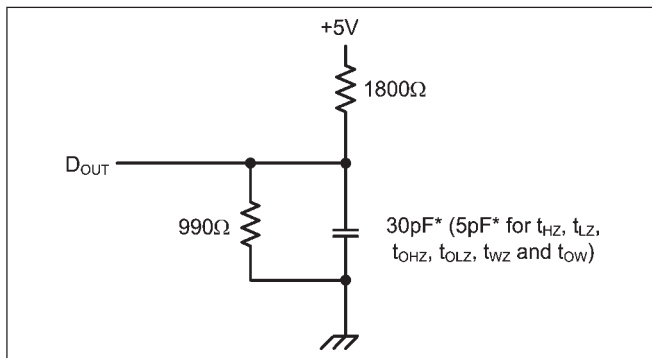


**AC TEST CONDITIONS**

Input Pulse Levels	GND to 3.0V
Input Rise and Fall Times	3ns
Input Timing Reference Level	1.5V
Output Timing Reference Level	1.5V
Output Load	See Figures 1 and 2

**TRUTH TABLE**

Mode	$\overline{CE}$	$\overline{OE}$	$\overline{WE}$	I/O	Power
Standby	H	X	X	High Z	Standby
$D_{OUT}$ Disabled	L	H	H	High Z	Active
Read	L	L	H	$D_{OUT}$	Active
Write	L	X	L	$D_{IN}$	Active



\* including scope and test fixture.

**Note:**

Because of the high speed of the P4C1023L, care must be taken when testing this device; an inadequate setup can cause a normal functioning part to be rejected as faulty. Long high-inductance leads that cause supply bounce must be avoided by bringing the  $V_{CC}$  and ground planes directly up to the contactor fingers. A 0.01  $\mu$ F high frequency capacitor is also required between  $V_{CC}$  and ground.

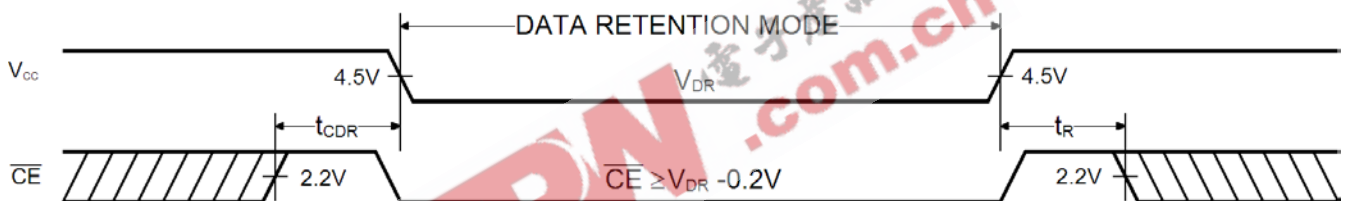
To avoid signal reflections, proper termination must be used; for example, a 50 $\Omega$  test environment should be terminated into a 50 $\Omega$  load with 1.77V (Thevenin Voltage) at the comparator input, and a 589 $\Omega$  resistor must be used in series with  $D_{OUT}$  to match 639 $\Omega$  (Thevenin Resistance).

## DATA RETENTION

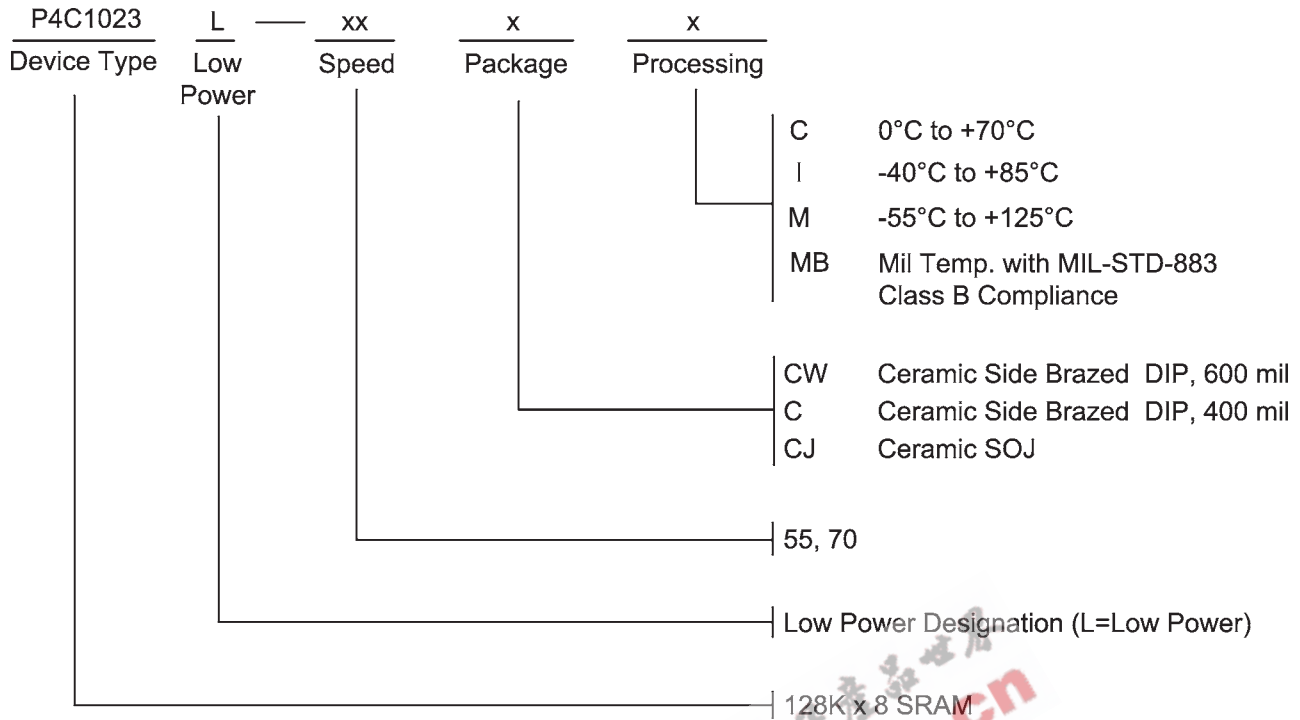
Symbol	Parameter	Test Conditions	Min	Max	Unit
$V_{DR}$	$V_{CC}$ for Data Retention	$\overline{CE} \geq V_{CC} - 0.2V$ , $V_{IN} \geq V_{CC} - 0.2V$ or $V_{IN} \leq 0.2V$	2.0	5.5	V
$I_{CCDR}$	Data Retention Current	$V_{DR} = 2.0V$		50	$\mu A$
		$V_{DR} = 3.0V$		100	$\mu A$
$t_{CDR}$	Chip Deselect to Data Retention Time	See Retention Waveform	0		ns
$t_R$	Operating Recovery Time		$t_{RC}$		ns

1.  $\overline{CE}_1 \geq V_{DR} - 0.2V$ ,  $CE_2 \geq V_{DR} - 0.2V$  or  $CE_2 \leq 0.2V$ ; or  $\overline{CE}_1 \leq 0.2V$ ,  $CE_2 - 0.2V$ ;  $V_{IN} \geq V_{DR} - 0.2V$  or  $V_{IN} \leq 0.2V$

### LOW $V_{CC}$ DATA RETENTION WAVEFORM



## ORDERING INFORMATION



## SELECTION GUIDE

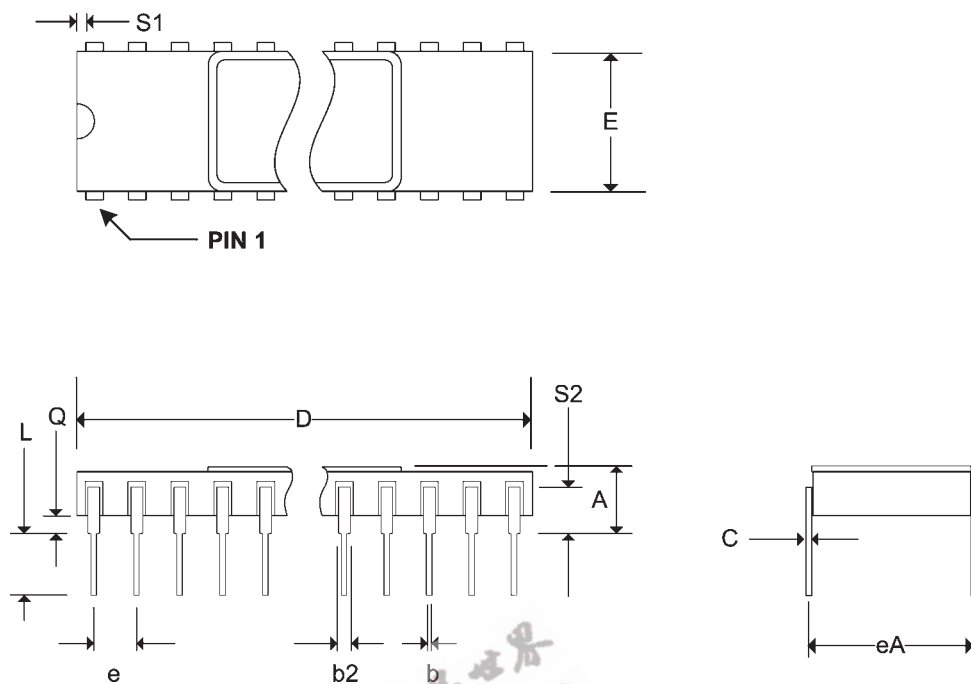
The P4C1023L is available in the following temperature, speed and package options.

Temperature Range	Package	Speed (ns)	
		55	70
Commercial	Side Brazed DIP (400 mil)	-55CC	-70CC
	Side Brazed DIP (600 mil)	-55CWC	-70CWC
	Ceramic SOJ	-55CJC	-70CJC
Industrial	Side Brazed DIP (400 mil)	-55CI	-70CI
	Side Brazed DIP (600 mil)	-55CWI	-70CWI
	Ceramic SOJ	-55CJI	-70CJI
Military Temperature	Side Brazed DIP (400 mil)	-55CM	-70CM
	Side Brazed DIP (600 mil)	-55CWM	-70CWM
	Ceramic SOJ	-55CJM	-70CJM
Military Processed*	Side Brazed DIP (400 mil)	-55CMB	-70CMB
	Side Brazed DIP (600 mil)	-55CWMB	-70CWMB
	Ceramic SOJ	-55CJMB	-70CJMB



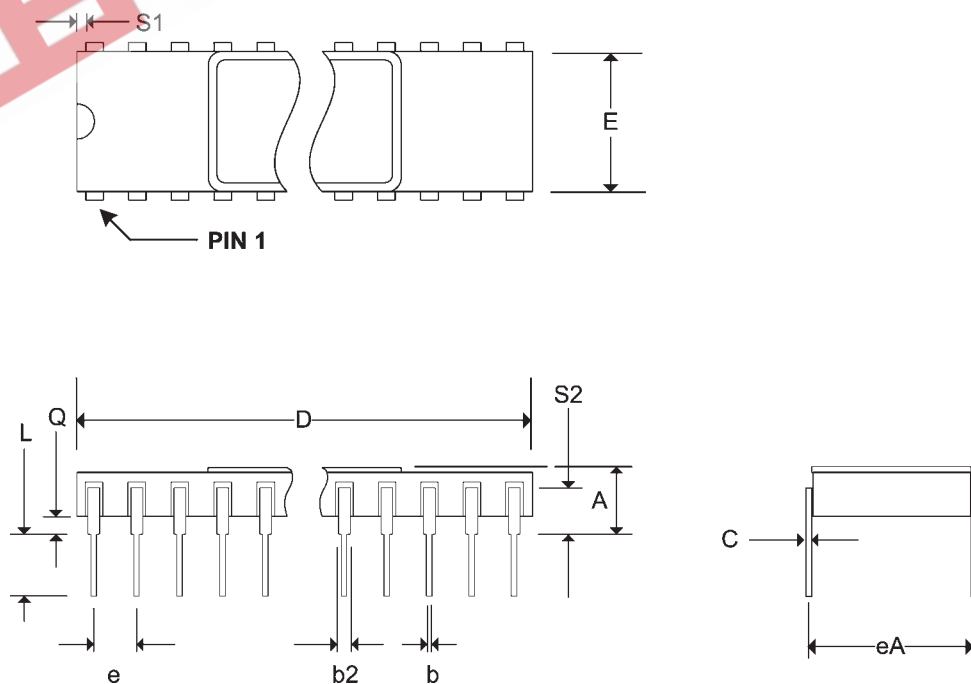
Pkg #	C11	
# Pins	32 (400 mil)	
Symbol	Min	Max
A	-	0.232
b	0.014	0.023
b2	0.038	0.065
C	0.008	0.018
D	-	1.700
E	0.350	0.410
eA	0.400 BSC	
e	0.100 BSC	
L	0.125	0.200
Q	0.015	0.060
S1	0.005	-
S2	0.005	-

**SIDEBRAZED DUAL IN-LINE PACKAGE**



Pkg #	C10	
# Pins	32 (600 mil)	
Symbol	Min	Max
A	-	0.225
b	0.014	0.026
b2	0.045	0.065
C	0.008	0.018
D	-	1.680
E	0.510	0.620
eA	0.600 BSC	
e	0.100 BSC	
L	0.125	0.200
Q	0.015	0.070
S1	0.005	-
S2	0.005	-

**SIDEBRAZED DUAL IN-LINE PACKAGE**





Pkg #	CJ1	
# Pins	32	
Symbol	Min	Max
A	0.120	0.165
A1	0.088	0.120
A2	0.070	REF
B	0.010	REF
B1	0.030R	TYP
B2	0.020	REF
B3	0.025	0.045
D	0.816	0.838
D1	0.750	REF
E	0.419	0.431
E1	0.430	0.445
E2	0.360	0.380
e	0.050 BSC	
e1	0.038	TYP
e2	0.005	
j	0.005	TYP
S	0.030	0.040
S1	0.020	TYP

### CERAMIC SOJ SMALL OUTLINE IC PACKAGE

