

CRYDOM

Control over power

Series 2

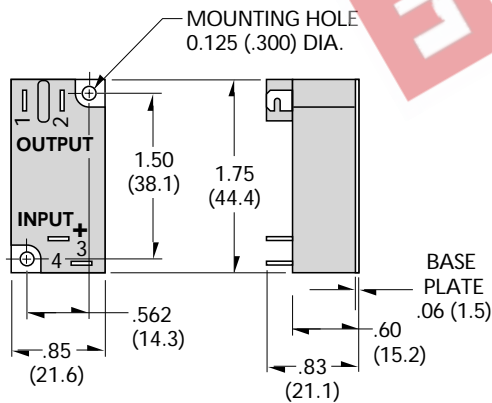
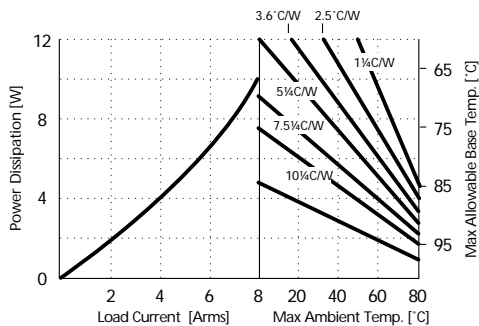
8 Amp • 120, 240 Vac • AC Output

- Zero Voltage Switching
- 2500 Volt Isolation
- Panel Mount
- Triac Output

Relays combine small size and high ratings in a package designed for easy heat sink or panel mounting. Standard .187 push-on terminals assure quick connection and are arranged to provide maximum isolation between signal and power circuits. Model S228C is a snubber-less design for applications that require low off-state leakage.

Manufactured in Crydom's ISO 9001 Certified facility for optimum product performance and reliability.

CURRENT DERATING CURVES



All dimensions are in inches (millimeters)

MODEL NUMBERS

	S218	S228	S228C
OUTPUT SPECIFICATIONS ①			
Operating Voltage (47-63 Hz) [Vrms]	20-140	40-280	40-280
Max. Load Current Range [Arms]	.15-8.0	.15-8.0	.15-8.0
Transient Overvoltage [Vpk]	400	600	600
Max. Surge Current, (16.6ms) [Apk]	120	120	120
Max. On-State Voltage Drop @ Rated Current [Vpk]	1.6	1.6	1.6
Thermal Resistance Junction to Case (R _{θJC}) [°C/W]	1.5	1.5	1.5
Maximum I ² t for Fusing, (8.3 msec.) [A ² sec]	60	60	60
Max. Off-State Leakage Current @ Rated Voltage [mA]	4.0	4.0	0.1
Min. Off-State dv/dt @ Max. Rated Voltage [V/μsec] ②	200	200	200
Max. Turn-On Time	1/2 cycle	1/2 cycle	1/2 cycle
Max. Turn-Off Time	1/2 cycle	1/2 cycle	1/2 cycle
Power Factor (Min.) with Max. Load	0.5	0.5	0.5

INPUT SPECIFICATIONS

 ①

Control Voltage Range	3.5-8.0
Nominal Input Impedence	200 Ohm
Max. Turn-On Voltage	3.5 Vdc
Min. Turn-Off Voltage	1.0 Vdc
Typical Input Current @ 5Vdc	18 mA

GENERAL SPECIFICATIONS

Dielectric Strength ②	2500 Vrms
Insulation Resistance (Min.) @ 500 Vdc ②	10 ⁹ Ohm
Max. Capacitance	8.0 pF
Ambient Operating Temperature Range	-30 to 80¼C
Ambient Storage Temperature Range	-30 to 125¼C

MECHANICAL SPECIFICATIONS

Weight: (typical)	1.3 oz. (40 g)
Encapsulation:	Thermally Conductive Epoxy

GENERAL NOTES

©2002 CRYDOM CORP, Specifications subject to change without notice.

- ① All parameters at 25¼C unless otherwise specified.
- ② Dielectric and insulation resistance are measured between input and output.
- ③ Off-State dv/dt test method per EIA/NARM standard RS-443.

APPROVALS

UL E116949
CSA LR81689



FastFax Document No.156
SERIES 2.
Rev. 042302
PAGE 1 OF 1

For recommended applications and more information contact:

USA: Sales Support (877) 502-5500 Tech Support (877) 702-7700 FAX (619) 710-8540

Crydom Corp, 2320 Paseo de las Americas, Ste. 201, San Diego, CA 92154

Email: sales@crydom.com WEB SITE: http://www.crydom.com

UK: +44 (0)1202 365070 • FAX +44 (0)1202 365090 Crydom International Ltd., 7 Cobham

Road, Ferndown Industrial Estate, Ferndown, Dorset BH21 7PE, Email: intsales@crydom.com.

GERMANY: +49 (0)180 3000 506

