



# STK12C68-M

## CMOS nvSRAM

### 8K x 8 AutoStore™

#### Nonvolatile Static RAM

#### MIL-STD-883 / SMD # 5962-94599

#### FEATURES

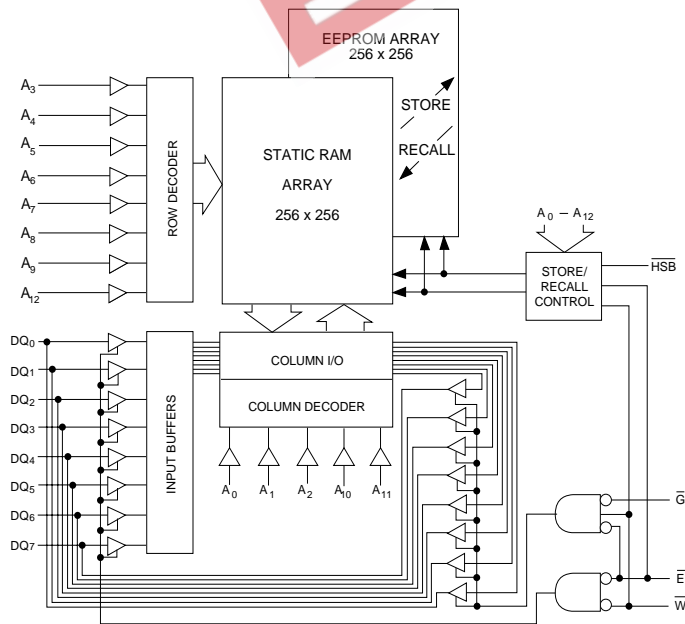
- 40, 45 and 55ns Access Times
- 15 mA I<sub>CC</sub> at 200ns Access Speed
- Automatic *STORE* to EEPROM on Power Down
- Hardware or Software initiated *STORE* to EEPROM
- Automatic *STORE* Timing
- 100,000 *STORE* cycles to EEPROM
- 10 year data retention in EEPROM
- Automatic *RECALL* on Power Up
- Software initiated *RECALL* from EEPROM
- Unlimited *RECALL* cycles from EEPROM
- Single 5V±10% Operation
- Available in multiple standard packages

#### DESCRIPTION

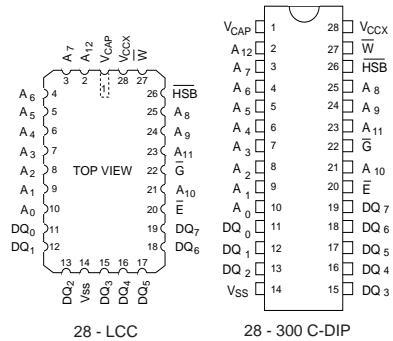
The Simtek STK12C68-M is a fast static RAM (40, 45 and 55ns), with a nonvolatile EEPROM element incorporated in each static memory cell. The SRAM can be read and written an unlimited number of times, while independent nonvolatile data resides in EEPROM. Data transfers from the SRAM to the EEPROM (the *STORE* operation) take place automatically upon power down using charge stored in an external 100 μF capacitor. Transfers from the EEPROM to the SRAM (the *RECALL* operation) take place automatically on power up. Software sequences may also be used to initiate both *STORE* and *RECALL* operations. A *STORE* can also be initiated via a single pin.

The STK12C68-M is available in the following packages: a 28-pin 300 mil ceramic DIP and 28-pad LCC.

#### LOGIC BLOCK DIAGRAM



#### PIN CONFIGURATIONS



#### PIN NAMES

A <sub>0</sub> - A <sub>12</sub>	Address Inputs
$\bar{W}$	Write Enable
DQ <sub>0</sub> - DQ <sub>7</sub>	Data In/Out
$\bar{E}$	Chip Enable
$\bar{G}$	Output Enable
V <sub>CCX</sub>	Power (+5V)
V <sub>SS</sub>	Ground
V <sub>CAP</sub>	Capacitor
HSB	Hardware Store/Busy

**ABSOLUTE MAXIMUM RATINGS<sup>a</sup>**

Voltage on typical input relative to  $V_{SS}$  . . . . . -0.6V to 7.0V  
 Voltage on DQ<sub>0-7</sub> and  $\bar{G}$  . . . . . -0.5V to ( $V_{CC}+0.5V$ )  
 Temperature under bias . . . . . -55°C to 125°C  
 Storage temperature. . . . . -65°C to 150°C  
 Power dissipation. . . . . 1W  
 DC output current . . . . . 15mA  
 (One output at a time, one second duration)

**Note a:** Stresses greater than those listed under "Absolute Maximum Ratings" may cause permanent damage to the device. This is a stress rating only, and functional operation of the device at conditions above those indicated in the operational sections of this specification is not implied. Exposure to absolute maximum rating conditions for extended periods may affect reliability.

**DC CHARACTERISTICS**

( $V_{CC} = 5.0V \pm 10\%$ )<sup>d</sup>

SYMBOL	PARAMETER	MIN	MAX	UNITS	NOTES
$I_{CC1}^b$	Average $V_{CC}$ Current		85	mA	$t_{AVAV} = 40ns$
			80	mA	$t_{AVAV} = 45ns$
			75	mA	$t_{AVAV} = 55ns$
$I_{CC2}$	Average $V_{CC}$ Current During <i>STORE</i>		8	mA	All inputs $\leq 0.2V$ or $\geq (V_{CC} - 0.2V)$
$I_{CC3}^b$	Average $V_{CC}$ Current at $t_{AVAV} = 200ns$		15	mA	$\bar{E} \leq 0.2V, \bar{W} \geq (V_{CC} - 0.2V)$ others $\leq 0.2V$ or $\geq (V_{CC} - 0.2V)$
$I_{CC4}$	Average $V_{CC}$ current during AutoStore™ cycle		4	mA	All inputs $\leq 0.2V$ or $\geq (V_{CC} - 0.2V)$
$I_{SB1}^c$	Average $V_{CC}$ Current (Standby, Cycling TTL Input Levels)		35	mA	$t_{AVAV} = 40ns$
			32	mA	$t_{AVAV} = 45ns$
			28	mA	$t_{AVAV} = 55ns$
					$\bar{E} \geq V_{IH}$ ; all others cycling
$I_{CC2}^b$	Average $V_{CC}$ Current (Standby, Stable CMOS Input Levels)		4	mA	$\bar{E} \geq (V_{CC} - 0.2V)$
$I_{ILK}$	Input Leakage Current (Any Input)		±1	µA	$V_{CC} = \text{max}$ $V_{IN} = V_{SS}$ to $V_{CC}$
$I_{OLK}$	Off State Output Leakage Current		±5	µA	$V_{CC} = \text{max}$ $V_{OUT} = V_{SS}$ to $V_{CC}$
$V_{IH}$	Input Logic "1" Voltage	2.2	$V_{CC}+5$	V	All Inputs
$V_{IL}$	Input Logic "0" Voltage	$V_{SS}-5$	0.8	V	All Inputs
$V_{OH}$	Output Logic "1" Voltage	2.4		V	$I_{OUT} = -4mA$ except HSB
$V_{OL}$	Output Logic "0" Voltage		0.4	V	$I_{OUT} = 8mA$ except HSB
$T_A$	Operating Temperature	-55	125	°C	

Note b:  $I_{CC1}$  and  $I_{CC3}$  are dependent on output loading and cycle rate. The specified values are obtained with outputs unloaded.  
 Note c: Bringing  $\bar{E} \geq V_{IH}$  will not produce standby current levels until any nonvolatile cycle in progress has timed out. See MODE SELECTION table.  
 Note d:  $V_{CC}$  reference levels throughout this datasheet refer to  $V_{CCX}$  if that is where the power supply connection is made, or  $V_{CAP}$  if  $V_{CCX}$  is connected to ground.

**AC TEST CONDITIONS**

Input Pulse Levels. . . . .	$V_{SS}$ to 3V
Input Rise and Fall Times. . . . .	$\leq 5ns$
Input and Output Timing Reference Levels. . . . .	1.5V
Output Load. . . . .	See Figure 1

**CAPACITANCE** ( $T_A=25^\circ C, f=1.0MHz$ )

SYMBOL	PARAMETER	MAX	UNITS	CONDITIONS
$C_{IN}$	Input Capacitance	8	pF	$\Delta V = 0$ to 3V
$C_{OUT}$	Output Capacitance	7	pF	$\Delta V = 0$ to 3V

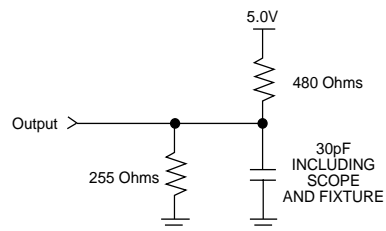


Figure 1: AC Output Loading

## SRAM MEMORY OPERATION

### READ CYCLES #1 & #2

( $V_{CC} = 5.0V \pm 10\%$ )<sup>d</sup>

NO.	SYMBOLS		PARAMETER	STK12C68-40M		STK12C68-45M		STK12C68-55M		UNITS
	#1, #2	Alt.		MIN	MAX	MIN	MAX	MIN	MAX	
1	$t_{ELQV}$	$t_{ACS}$	Chip Enable Access Time		40		45		55	ns
2	$t_{AVAV}$	$t_{RC}$	Read Cycle Time	40		45		55		ns
3	$t_{AVQV}^g$	$t_{AA}$	Address Access Time		40		45		55	ns
4	$t_{GLQV}$	$t_{OE}$	Output Enable to Data Valid		20		25		35	ns
5	$t_{AXQX}$	$t_{OH}$	Output Hold After Address Change	5		5		5		ns
6	$t_{ELQX}$	$t_{LZ}$	Chip Enable to Output Active	5		5		5		ns
7	$t_{EHQZ}^h$	$t_{HZ}$	Chip Disable to Output Inactive		17		20		25	ns
8	$t_{GLQX}$	$t_{OLZ}$	Output Enable to Output Active	0		0		0		ns
9	$t_{GHQZ}^h$	$t_{OHZ}$	Output Disable to Output Inactive		17		20		25	ns
10	$t_{ELICCH}^e$	$t_{PA}$	Chip Enable to Power Active	0		0		0		ns
11	$t_{EHICCL}^{c,e}$	$t_{PS}$	Chip Disable to Power Standby		35		45		55	ns

Note c: Bringing  $\bar{E} \geq V_{IH}$  will not produce standby currents until any nonvolatile cycle in progress has timed out. See MODE SELECTION table.

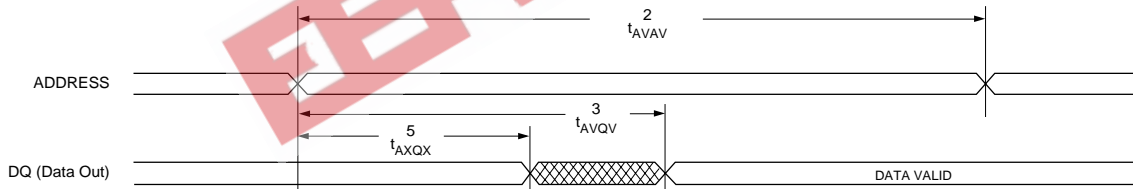
Note e: Parameter guaranteed but not tested.

Note f: For READ CYCLE #1 and #2,  $\bar{W}$  is high for entire cycle.

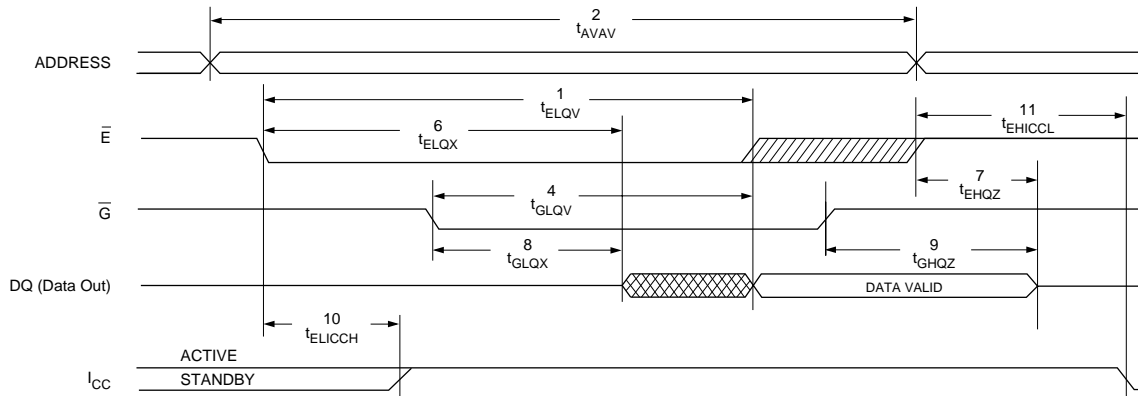
Note g: Device is continuously selected with  $\bar{E}$  low and  $\bar{G}$  low.

Note h: Measured  $\pm 200mV$  from steady state output voltage.

### READ CYCLE #1 <sup>f,g</sup>



### READ CYCLE #2 <sup>f</sup>



WRITE CYCLES #1 & #2

( $V_{CC} = 5.0V \pm 10\%$ )<sup>d</sup>

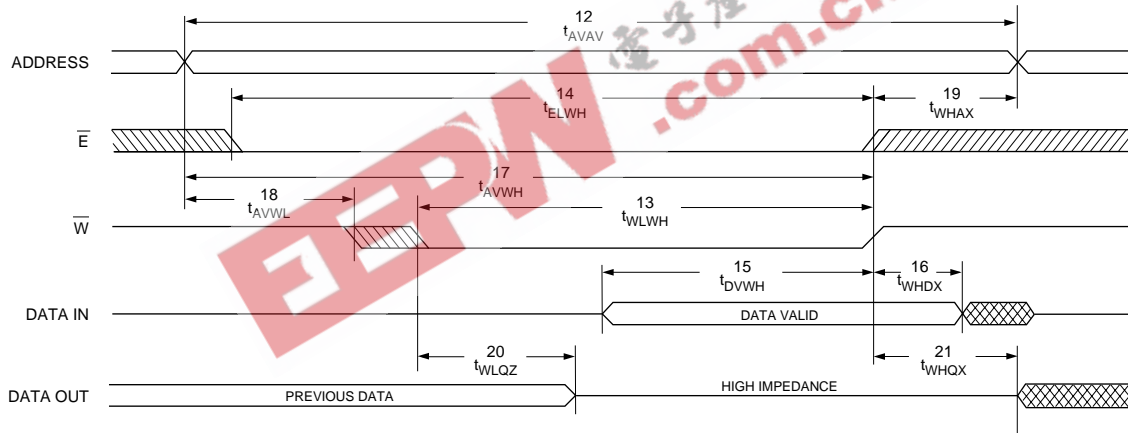
NO.	SYMBOLS			PARAMETER	STK12C68-40M		STK12C68-45M		STK12C68-55M		UNITS
	#1	#2	Alt.		MIN	MAX	MIN	MAX	MIN	MAX	
12	$t_{AVAV}$	$t_{AVAV}$	$t_{WC}$	Write Cycle Time	35		45		55		ns
13	$t_{WLWH}$	$t_{WLEH}$	$t_{WP}$	Write Pulse Width	30		35		45		ns
14	$t_{ELWH}$	$t_{ELEH}$	$t_{CW}$	Chip Enable to End of Write	30		35		45		ns
15	$t_{DVWH}$	$t_{DVEH}$	$t_{DW}$	Data Set-up to End of Write	18		20		25		ns
16	$t_{WHDX}$	$t_{EHDX}$	$t_{DH}$	Data Hold After End of Write	0		0		0		ns
17	$t_{AVWH}$	$t_{AVEH}$	$t_{AW}$	Address Set-up to End of Write	30		35		45		ns
18	$t_{AVWL}$	$t_{AVEL}$	$t_{AS}$	Address Set-up to Start of Write	0		0		0		ns
19	$t_{WHAX}$	$t_{EHAX}$	$t_{WR}$	Address Hold After End of Write	0		0		0		ns
20	$t_{WLQZ}^{h,j}$		$t_{WZ}$	Write Enable to Output Disable		17		20		25	ns
21	$t_{WHQX}$		$t_{OW}$	Output Active After End of Write	5		5		5		ns

Note h: Measured  $\pm 200mV$  from steady state output voltage.

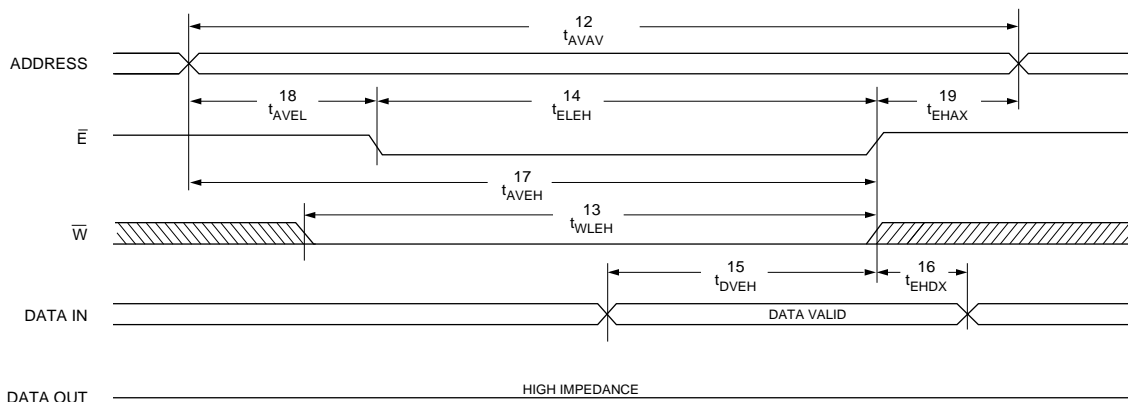
Note i:  $\bar{E}$  or  $\bar{W}$  must be  $\geq V_{IH}$  during address transitions.

Note j: If  $\bar{W}$  is low when  $\bar{E}$  goes low, the outputs remain in the high impedance state.

WRITE CYCLE #1:  $\bar{W}$  CONTROLLED<sup>i</sup>



WRITE CYCLE #2:  $\bar{E}$  CONTROLLED<sup>i</sup>



## NONVOLATILE MEMORY OPERATION

### MODE SELECTION

$\bar{E}$	$\bar{W}$	$\overline{HSB}$	$A_{12} - A_0(\text{hex})$	MODE	I/O	POWER	NOTES
H	X	H	X	Not Selected	Output High Z	Standby	
L	H	H	X	Read SRAM	Output Data	Active	l
L	L	H	X	Write SRAM	Input Data	Active	
L	H	H	0000	Read SRAM	Output Data	Active	k, l
			1555	Read SRAM	Output Data		k, l
			0AAA	Read SRAM	Output Data		k, l
			1FFF	Read SRAM	Output Data		k, l
			10F0	Read SRAM	Output Data		k, l
			0F0F	Nonvolatile <i>STORE</i>	Output High Z		k
L	H	H	0000	Read SRAM	Output Data	Active	k, l
			1555	Read SRAM	Output Data		k, l
			0AAA	Read SRAM	Output Data		k, l
			1FFF	Read SRAM	Output Data		k, l
			10F0	Read SRAM	Output Data		k, l
			0F0E	Nonvolatile <i>RECALL</i>	Output High Z		k
X	X	L	X	<i>STORE</i> /Inhibit	Output High Z	$I_{CC}/\text{Standby}$	m

Note k: The six consecutive addresses must be in order listed - (0000, 1555, 0AAA, 1FFF, 10F0, 0F0F) for a *STORE* cycle or (0000, 1555, 0AAA, 1FFF, 10F0, 0F0E) for a *RECALL* cycle.  $\bar{W}$  must be high during all six consecutive cycles. See *STORE* cycle and *RECALL* cycle tables and diagrams for further details.

Note l: I/O state assumes that  $\bar{G} \leq V_{IL}$ . Activation of nonvolatile cycles does not depend on the state of  $\bar{G}$ .

Note m:  $\overline{HSB}$  initiated *STORE* operation actually occurs only if a *WRITE* has been done since last *STORE* operation. After the *STORE* (if any) completes, the part will go into standby mode inhibiting all operation until  $\overline{HSB}$  rises.

### HARDWARE *STORE*/*RECALL*

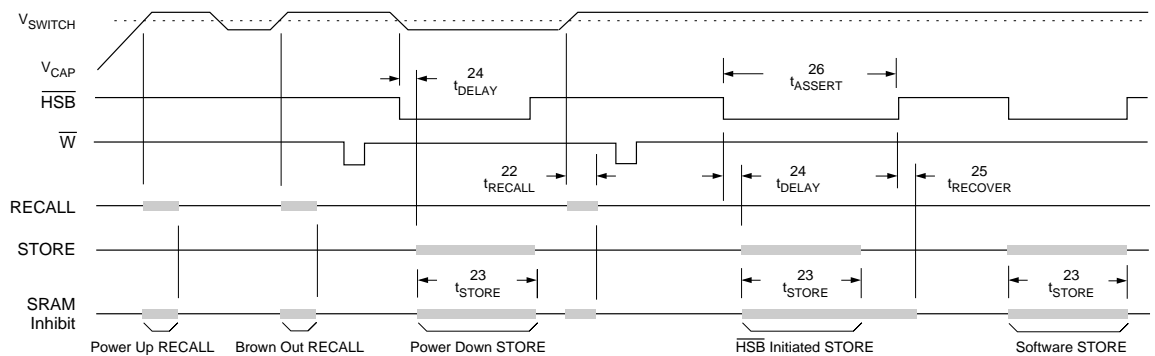
NO.	SYMBOLS		PARAMETER	MIN	MAX	UNITS	NOTES
22	$t_{RECALL}$		<i>RECALL</i> Cycle Duration		20	$\mu\text{s}$	Note o
23	$t_{STORE}$	$t_{HLHH}$	<i>STORE</i> Cycle Duration		10	ms	$V_{CC} \geq 4.5\text{V}$
24	$t_{DELAY}$	$t_{HLQZ}$	$\overline{HSB}$ Low to Inhibit On	1		$\mu\text{s}$	
25	$t_{RECOVER}$	$t_{HHQX}$	$\overline{HSB}$ High to Inhibit Off		300	ns	Note e
26	$t_{ASSERT}$	$t_{HLHX}$	External <i>STORE</i> Pulse Width	250		ns	Note e
	$V_{SWITCH}$		Low Voltage Trigger Level	4.0	4.5	V	
	$I_{\overline{HSB\_OL}}$		$\overline{HSB}$ Output Low Current	3		mA	$\overline{HSB} = V_{OL}$ , Note e, n
	$I_{\overline{HSB\_OH}}$		$\overline{HSB}$ Output High Current	5	60	$\mu\text{A}$	$\overline{HSB} = V_{IL}$ , Note e, n

Note e: These parameters guaranteed but not tested.

Note n:  $\overline{HSB}$  is an I/O that has a weak internal pullup; it is basically an open drain output. It is meant to allow up to 32 STK12C68-Ms to be ganged together for simultaneous storing. Do not use  $\overline{HSB}$  to pullup any external circuitry other than other STK12C68-M  $\overline{HSB}$  pins.

Note o: A *RECALL* cycle is initiated automatically at power up when  $V_{CC}$  exceeds  $V_{SWITCH}$ .  $t_{RECALL}$  is measured from the point at which  $V_{CC}$  exceeds 4.5V.

### HARDWARE *STORE*/*RECALL*



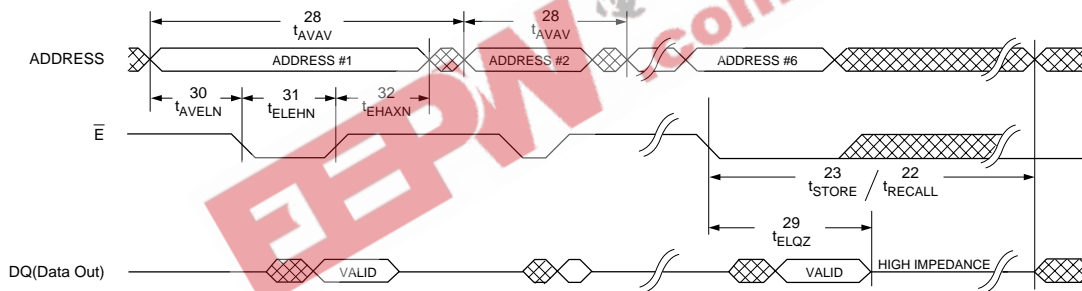
SOFTWARE STORE/RECALL CYCLE

(V<sub>CC</sub> = 5.0V ± 10%)<sup>d</sup>

NO.	SYMBOLS		PARAMETER	STK12C68-40M		STK12C68-45M		STK12C68-55M		UNITS
	Std.	Alt.		MIN	MAX	MIN	MAX	MIN	MAX	
28	t <sub>AVAV</sub>	t <sub>RC</sub>	STORE/RECALL Initiation Cycle Time	35		45		55		ns
29	t <sub>ELOZ</sub> <sup>D</sup>		Chip Enable to Output Inactive		85		85		85	ns
30	t <sub>AVELN</sub>	t <sub>AE</sub>	Address Set-up to Chip Enable	0		0		0		ns
31	t <sub>ELEHN</sub> <sup>q,r</sup>	t <sub>EP</sub>	Chip Enable Pulse Width	25		35		45		ns
32	t <sub>EHAXN</sub>	t <sub>EA</sub>	Chip Disable to Address Change	0		0		0		ns

- Note p: Once the software *STORE* or *RECALL* cycle is initiated, it completes automatically, ignoring all inputs.
- Note q: Noise on the  $\bar{E}$  pin may trigger multiple read cycles from the same address and abort the address sequence.
- Note r: If the Chip Enable Pulse Width is less than t<sub>ELOZ</sub> (see READ CYCLE #2) but greater than or equal to t<sub>ELEHN</sub>, then the data may not be valid at the end of the low pulse, however the *STORE* or *RECALL* will still be initiated.
- Note s:  $\bar{W}$  must be HIGH when  $\bar{E}$  is LOW during the address sequence in order to initiate a nonvolatile cycle.  $\bar{G}$  may be either HIGH or LOW throughout. Addresses #1 through #6 are found in the MODE SELECTION table. Address #6 determines whether the STK12C68-M performs a *STORE* or *RECALL*.
- Note t:  $\bar{E}$  must be used to clock in the address sequence for the Software *STORE* and *RECALL* cycles.

SOFTWARE STORE/RECALL CYCLE q,r,t



## DEVICE OPERATION

The STK12C68-M has two separate modes of operation: SRAM mode and nonvolatile mode. In SRAM mode, the memory operates as a standard fast static RAM. In nonvolatile mode, data is transferred from SRAM to EEPROM (the *STORE* operation) or from EEPROM to SRAM (the *RECALL* operation). In this mode SRAM functions are disabled.

*STORE* cycles may be initiated under user control via a software sequence or  $\overline{\text{HSB}}$  assertion and are also automatically initiated when the power supply voltage level of the chip falls below  $V_{\text{SWITCH}}$ . *RECALL* operations are automatically initiated upon power-up and whenever the power supply voltage level rises above  $V_{\text{SWITCH}}$ . *RECALL* cycles may also be initiated by a software sequence.

### SRAM READ

The STK12C68-M performs a READ cycle whenever  $\overline{\text{E}}$  and  $\overline{\text{G}}$  are LOW and  $\overline{\text{HSB}}$  and  $\overline{\text{W}}$  are HIGH. The address specified on pins  $\text{A}_{0-12}$  determines which of the 8192 data bytes will be accessed. When the READ is initiated by an address transition, the outputs will be valid after a delay of  $t_{\text{AVQV}}$ . If the READ is initiated by  $\overline{\text{E}}$  or  $\overline{\text{G}}$ , the outputs will be valid at  $t_{\text{ELQV}}$  or at  $t_{\text{GLQV}}$ , whichever is later. The data outputs will repeatedly respond to address changes within the  $t_{\text{AVQV}}$  access time without the need for transitions on any control input pins, and will remain valid until another address change or until  $\overline{\text{E}}$  or  $\overline{\text{G}}$  is brought HIGH or  $\overline{\text{W}}$  or  $\overline{\text{HSB}}$  is brought LOW.

### SRAM WRITE

A write cycle is performed whenever  $\overline{\text{E}}$  and  $\overline{\text{W}}$  are LOW and  $\overline{\text{HSB}}$  is high. The address inputs must be stable prior to entering the WRITE cycle and must remain stable until either  $\overline{\text{E}}$  or  $\overline{\text{W}}$  go HIGH at the end of the cycle. The data on pins  $\text{DQ}_{0-7}$  will be written into the memory if it is valid  $t_{\text{DVWH}}$  before the end of a  $\overline{\text{W}}$  controlled WRITE or  $t_{\text{DVEH}}$  before the end of an  $\overline{\text{E}}$  controlled WRITE.

It is recommended that  $\overline{\text{G}}$  be kept HIGH during the entire WRITE cycle to avoid data bus contention on the common I/O lines. If  $\overline{\text{G}}$  is left LOW, internal circuitry will turn off the output buffers  $t_{\text{WLQZ}}$  after  $\overline{\text{W}}$  goes LOW.

### SOFTWARE STORE

The STK12C68-M software *STORE* cycle is initiated by executing sequential READ cycles from six specific

address locations. By relying on READ cycles only, the STK12C68-M implements nonvolatile operation while remaining compatible with standard 8Kx8 SRAMs. During the *STORE* cycle, an erase of the previous nonvolatile data is first performed, followed by a program of the nonvolatile elements. The program operation copies the SRAM data into the nonvolatile elements. Once a *STORE* cycle is initiated, further input and output are disabled until the cycle is completed.

Because a sequence of addresses is used for *STORE* initiation, it is critical that no other read or write accesses intervene in the sequence or the sequence will be aborted.

To initiate the *STORE* cycle the following READ sequence must be performed:

1. Read address	0000 (hex)	Valid READ
2. Read address	1555 (hex)	Valid READ
3. Read address	0AAA (hex)	Valid READ
4. Read address	1FFF (hex)	Valid READ
5. Read address	10F0 (hex)	Valid READ
6. Read address	0F0F (hex)	Initiate <i>STORE</i> Cycle

Once the sixth address in the sequence has been entered, the *STORE* cycle will commence and the chip will be disabled. It is important that READ cycles and not WRITE cycles be used in the sequence, although it is not necessary that  $\overline{\text{G}}$  be LOW for the sequence to be valid. After the  $t_{\text{STORE}}$  cycle time has been fulfilled, the SRAM will again be activated for READ and WRITE operation.

### SOFTWARE RECALL

A *RECALL* cycle of the EEPROM data into the SRAM is initiated with a sequence of READ operations in a manner similar to the *STORE* initiation. To initiate the *RECALL* cycle the following sequence of READ operations must be performed:

1. Read address	0000(hex)	Valid READ
2. Read address	1555 (hex)	Valid READ
3. Read address	0AAA (hex)	Valid READ
4. Read address	1FFF (hex)	Valid READ
5. Read address	10F0 (hex)	Valid READ
6. Read address	0F0E (hex)	Initiate <i>RECALL</i> Cycle

Internally, *RECALL* is a two step procedure. First, the SRAM data is cleared and second, the nonvolatile information is transferred into the SRAM cells. The *RECALL* operation in no way alters the data in the

EEPROM cells. The nonvolatile data can be recalled an unlimited number of times.

### AUTOMATIC RECALL

During power up, or after any low power condition ( $V_{CAP} < V_{SWITCH}$ ), when  $V_{CAP}$  exceeds the sense voltage of  $V_{SWITCH}$ , a *RECALL* cycle will automatically be initiated. After the initiation of this automatic *RECALL*, if  $V_{CAP}$  falls below  $V_{SWITCH}$ , then another *RECALL* operation will be performed whenever  $V_{CAP}$  again rises above  $V_{SWITCH}$ .

If the STK12C68-M is in a *WRITE* state at the end of power-up *RECALL*, the SRAM data will be corrupted. To help avoid this situation, a 10K Ohm resistor should be connected between  $\bar{W}$  and system  $V_{CC}$ .

### HARDWARE PROTECT

The STK12C68-M offers hardware protection against inadvertent *STORE* operation during low voltage conditions. When  $V_{CAP} < V_{SWITCH}$ , all externally initiated *STORE* operations will be inhibited.

### HSB OPERATION

The Hardware Store Busy pin ( $\bar{HSB}$ ) is an open drain circuit acting as both input and output to perform two different functions. When driven low by the internal chip circuitry it indicates that a *STORE* operation (initiated via any means) is in progress within the chip. When driven low by external circuitry for longer than  $t_{ASSERT}$ , the chip will conditionally initiate a *STORE* operation after  $t_{DELAY}$ .

READ and WRITE operations that are in progress when  $\bar{HSB}$  is driven low (either by internal or external circuitry) will be allowed to complete before the *STORE* operation is performed, in the following manner. After  $\bar{HSB}$  goes low, the part will continue normal SRAM operations for  $t_{DELAY}$ . During  $t_{DELAY}$ , a transition on any address or control signal will terminate SRAM operation and cause the *STORE* to commence. Note that if an SRAM write is attempted after  $\bar{HSB}$  has been forced low, the write will not occur and the *STORE* operation will begin immediately.

Hardware-Store-Busy ( $\bar{HSB}$ ) is a high speed, low drive capability bi-directional control line. In order to allow a bank of STK12C68-Ms to perform synchronized *STORE* functions, the  $\bar{HSB}$  pin from a number of chips may be

connected together. Each chip contains a small internal current source to pull  $\bar{HSB}$  HIGH when it is not being driven low. To decrease the sensitivity of this signal to noise generated on the PC board, it may optionally be pulled to  $V_{CCX}$  via an external resistor with a value such that the combined load of the resistor and all parallel chip connections does not exceed  $I_{\bar{HSB\_OL}}$  at  $V_{OL}$ . Do not connect this or any other pull-up to the  $V_{CAP}$  node.

If  $\bar{HSB}$  is to be connected to external circuits other than other STK12C68-Ms, an external pull-up resistor should be used.

During any *STORE* operation, regardless of how it was initiated, the STK12C68-M will continue to drive the  $\bar{HSB}$  pin low, releasing it only when the *STORE* is complete. Upon completion of a *STORE* operation, the part will be disabled until  $\bar{HSB}$  actually goes HIGH.

### AUTOMATIC STORE OPERATION

During normal operation, the STK12C68-M will draw current from  $V_{CCX}$  to charge up a capacitor connected to the  $V_{CAP}$  pin. This stored charge will be used by the chip to perform a single *STORE* operation. After power up, when the voltage on the  $V_{CAP}$  pin drops below  $V_{SWITCH}$ , the part will automatically disconnect the  $V_{CAP}$  pin from  $V_{CCX}$  and initiate a *STORE* operation.

*Figure 1* shows the proper connection of capacitors for automatic store operation. The charge storage capacitor should have a capacity of at least 100 $\mu$ F ( $\pm 20\%$ ) at 6V. Each STK12C68-M must have its own 100 $\mu$ F capacitor. Each STK12C68-M *must* have a high quality, high frequency bypass capacitor of 0.1 $\mu$ F connected between  $V_{CAP}$  and  $V_{SS}$ , using leads and traces that are as short as possible.

If the *AutoStore*<sup>TM</sup> function is not required, then  $V_{CAP}$  should be tied directly to the power supply and  $V_{CCX}$  should be tied to ground. In this mode, *STORE* operations may be triggered through software control or the  $\bar{HSB}$  pin. In either event,  $V_{CAP}$  (Pin 1) *must* always have a proper bypass capacitor connected to it.

In order to prevent unneeded *STORE* operations, automatic *STOREs* as well as those initiated by externally driving  $\bar{HSB}$  LOW will be ignored unless at least one



WRITE operation has taken place since the most recent STORE cycle. Note that if HSB is driven low via external circuitry and no WRITES have taken place, the part will still be disabled until HSB is allowed to return HIGH. Software initiated STORE cycles are performed regardless of whether or not a WRITE operation has taken place.

**PREVENTING AUTOMATIC STORES**

The *AutoStore*™ function can be disabled on the fly by holding HSB HIGH with a driver capable of sourcing 15mA at a VOH of at least 2.2V as it will have to overpower the internal pull-down device that drives HSB low for 50ns at the onset of an *AutoStore*™. When the STK12C68-M is connected for *AutoStore*™ operation (system VCC connected to VCCX and a 100uF capacitor on VCAP) and VCC crosses VSWITCH on the way down, the STK12C68 will attempt to pull HSB LOW; if HSB doesn't actually get below VIL, the part will stop trying to pull HSB LOW and abort the *AutoStore*™ attempt.

**LOW AVERAGE ACTIVE POWER**

The STK12C68-M has been designed to draw significantly less power when E is LOW (chip enabled), but the

access cycle time is longer than 55ns. Figure 2 below shows the relationship between ICC and access times for READ cycles. All remaining inputs are assumed to cycle, and current consumption is given for all inputs at CMOS or TTL levels. Figure 3 shows the same relationship for WRITE cycles. When E is HIGH, the chip consumes only standby currents, and these plots do not apply.

The cycle time used in Figure 2 corresponds to the length of time from the later of the last address transition or E going LOW to the earlier of E going HIGH or the next address transition. W is assumed to be HIGH, while the state of G does not matter. Additional current is consumed when the address lines change state while E is asserted. The cycle time used in Figure 3 corresponds to the length of time from the later of W or E going LOW to the earlier of W or E going HIGH.

The overall average current drawn by the part depends on the following items: 1) CMOS or TTL input levels; 2) the time during which the chip is disabled (E HIGH); 3) the cycle time for accesses (E LOW); 4) the ratio of reads to writes; 5) the operating temperature; 6) the VCC level; and 7) output load.

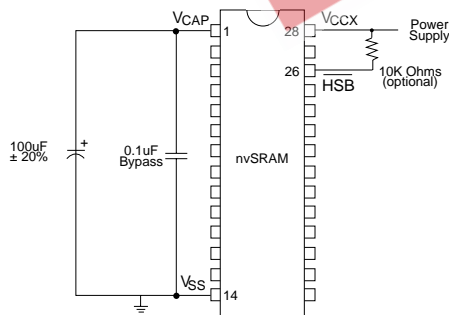


Figure 1  
Schematic Diagram

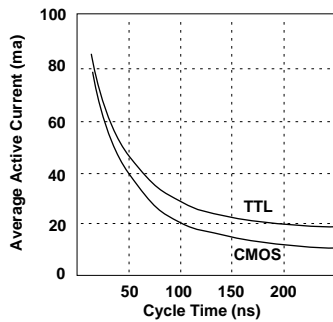


Figure 2  
ICC (Max) Reads

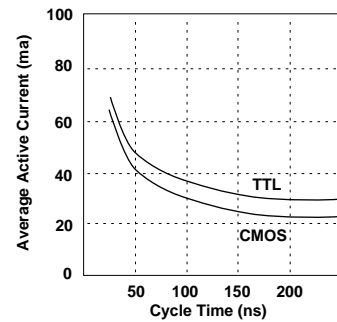


Figure 3  
ICC (Max) Writes

Note: Typical at 25° C

ORDERING INFORMATION

STK12C68 - 5 C 40 M

Temperature Range

M = Military (-55 to 125 degrees C)

Access Time

40 = 40ns  
45 = 45ns  
55 = 55ns

Package

C = Ceramic 28 pin 300-mil DIP with gold lead finish  
K = Ceramic 28 pin 300-mil DIP with solder DIP finish  
L = Ceramic 28 pin LCC

Retention / Endurance

10 years / 100,000 cycles

5962-94599 01 MX X

Lead Finish

A = Solder DIP lead finish  
C = Gold lead DIP finish  
X = lead finish "A" or "C" is acceptable

Package

MX = Ceramic 28 pin 300-mil DIP  
MY = Ceramic 28 pin LCC

Access Time

01 = 55ns  
02 = 45ns