

TIP866 8 Channel Serial Interface RS232 / TTL / RS422

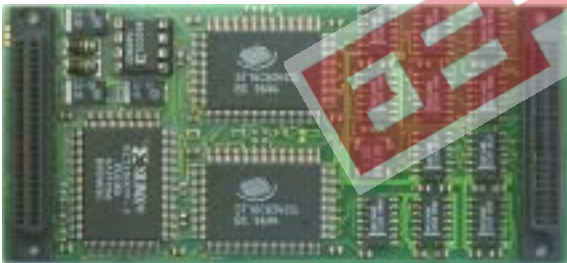
Application Information

The TIP866 is an IndustryPack® compatible module providing eight channels of high performance serial interface. Three different modules are available. The TIP866-10 provides RS232 interface, the TIP866-11 offers TTL level interface and the TIP866-20 provides RS422 interface. Each channel has a 64 byte transmit FIFO and a 64 byte receive FIFO to significantly reduce the overhead required to provide data to and get data from the transmitters and receivers. The FIFO trigger levels are programmable.

The TIP866-10 and -11 support RxD, TxD, RTS, CTS and GND for each of the eight RS232 channels. The TIP866-20 supports RxD+/-, TxD+/- and GND for each of the eight RS422 channels.

The baud rate is individually programmable up to 115.2kbaud for the TIP866-10 and up to 460.8kbaud for the TIP866-11 and -20. The TIP866-10 and -20 use ESD protected transceivers (up to +/-15KV according to IEC 1000-4-2).

The transition module TIP866-TM-10 provides 8 DB-25 connectors mounted in a 6U 8TE front panel. The TIP866-TM-20 provides 8 RJ45 connectors mounted in a 6U 4TE front panel. The TIP866-TM-30 provides 16 4-pin RJ connectors mounted in a 6U 4TE front panel.

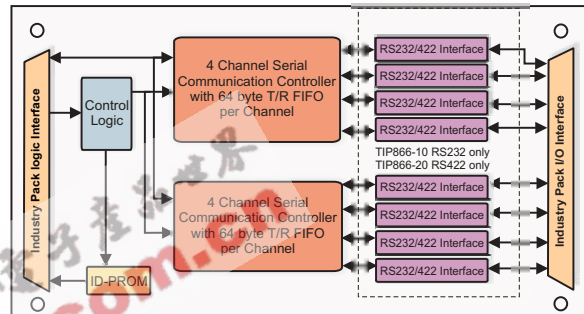


For First-Time-Buyers the engineering documentation TIP866-ED is recommended. The engineering documentation includes TIP866-DOC, schematics and data sheets.

Serial line driver software TIP866-SW-xx is available for different operating systems.

Technical Information

- Interface according to IndustryPack specification
- Identification-PROM supports auto-configuration
- Single Size IndustryPack
- 8 channels serial interface
- Support of RxD, TxD, RTS, CTS, GND per channel for TIP866-10 and -11; support of RXD+/-, TXD+/- and GND for TIP866-20
- Programmable baud rates up to 115.2KBaud for TIP866-10 and up to 460.8KBaud for TIP866-11 and -20
- 64 byte transmit FIFO per channel
- 64 byte receive FIFO per channel
- ESD protected RS232 and RS422 interface (up to +/-15KV according to IEC 1000-4-2)



Order Information

- | | |
|-------------------------|--|
| TIP866-10 | 8 Channel Serial RS232 Interface |
| TIP866-11 | 8 Channel Serial TTL Interface |
| TIP866-20 | 8 Channel Serial RS422 Interface |
| TIP866-DOC | User Manual |
| TIP866-EK | Engineering kit, includes TIP866-DOC |
| TIP866-TM-10 | Transition Module for TIP866, provides 8 DB-25 Connectors in front panel |
| TIP866-TM-10-DOC | User Documentation for TIP866-TM-10 |
| TIP866-TM-20 | Transition Module for TIP866, provides 8 RJ45 connectors in front panel |
| TIP866-TM-20-DOC | User Documentation for TIP866-TM-20 |
| TIP866-TM-30 | Transition Module for TIP866, provides 16 4-pin RJ connectors in front panel |
| TIP866-TM-30-DOC | User Documentation for TIP866-TM-30 |
| TIP866-IO-10 | Mounting Rail I/O Module with 8 DB-9 |
| TIP866-IO-10-DOC | User Documentation for TIP866-IO-10 |
| TIP866-SW-12 | OS-9 Software Support |
| TIP866-SW-32 | pSOS Software Support |
| TIP866-SW-42 | VxWorks Software Support |
| TIP866-SW-62 | Windows NT 4.0 Software Support |
| TIP866-SW-72 | LynxOS Software Support |
| TIP866-SW-82 | LiNIX Software Support |
| TIP866-SW-92 | QNX 4 Software Support |
| TIP866-SW-95 | QNX 6 Software Support |