



ST72334J/N, ST72314J/N, ST72124J

8-BIT MCU WITH SINGLE VOLTAGE FLASH MEMORY, ADC, 16-BIT TIMERS, SPI, SCI INTERFACES

PRELIMINARY DATA

■ Memories

- 8K or 16K Program memory (ROM or single voltage FLASH) with read-out protection and in-situ programming (remote ISP)
- 256 bytes EEPROM Data memory (with read-out protection option in ROM devices)
- 384 or 512 bytes RAM

■ Clock, Reset and Supply Management

- Enhanced reset system
- Enhanced low voltage supply supervisor with 3 programmable levels
- Clock sources: crystal/ceramic resonator oscillators or RC oscillators, external clock, backup Clock Security System
- 4 Power Saving Modes: Halt, Active-Halt, Wait and Slow
- Beep and clock-out capabilities

■ Interrupt Management

- 10 interrupt vectors plus TRAP and RESET
- 15 external interrupt lines (4 vectors)

■ 44 or 32 I/O Ports

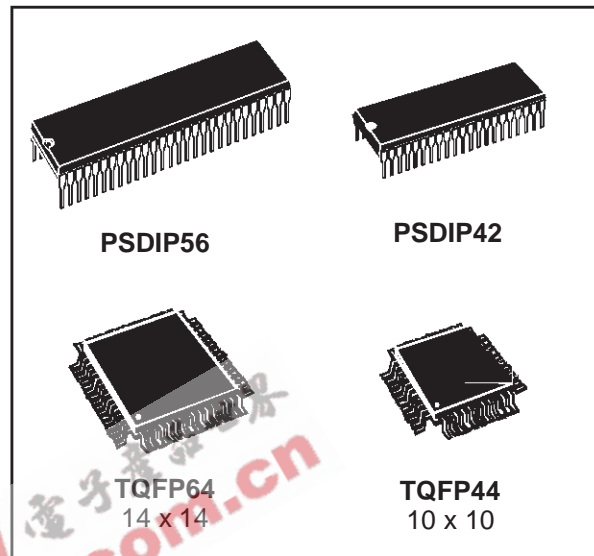
- 44 or 32 multifunctional bidirectional I/O lines:
- 21 or 19 alternate function lines
- 12 or 8 high sink outputs

■ 4 Timers

- Configurable watchdog timer
- Realtime base
- Two 16-bit timers with: 2 input captures (only one on timer A), 2 output compares (only one on timer A), External clock input on timer A, PWM and Pulse generator modes

■ 2 Communications Interfaces

- SPI synchronous serial interface
- SCI asynchronous serial interface



■ 1 Analog Peripheral

- 8-bit ADC with 8 input channels (6 only on ST72334Jx, not available on ST72124J2)

■ Instruction Set

- 8-bit data manipulation
- 63 basic instructions
- 17 main addressing modes
- 8 x 8 unsigned multiply instruction
- True bit manipulation

■ Development Tools

- Full hardware/software development package

Device Summary

| Features | ST72124J2 | ST72314J2 | ST72314J4 | ST72314N2 | ST72314N4 | ST72334J2 | ST72334J4 | ST72334N2 | ST72334N4 |
|------------------------|---|-----------|-----------------|-----------|-----------------|-----------|-----------------|-----------|-----------|
| Program memory - bytes | 8K | 8K | 16K | 8K | 16K | 8K | 16K | 8K | 16K |
| RAM (stack) - bytes | 384 (256) | 384 (256) | 512 (256) | 384 (256) | 512 (256) | 384 (256) | 512 (256) | 384 (256) | 512 (256) |
| EEPROM - bytes | - | - | - | - | - | 256 | 256 | 256 | 256 |
| Peripherals | Watchdog, Two 16-bit Timers, SPI, SCI | | | | | | | | |
| | ADC | | | | | | | | |
| Operating Supply | 3.0V to 5.5V | | | | | | | | |
| CPU Frequency | Up to 8 MHz (with up to 16 MHz oscillator) | | | | | | | | |
| Operating Temperature | -40°C to +85°C (-40°C to +105/125°C optional) | | | | | | | | |
| Packages | TQFP44 / SDIP42 | | TQFP64 / SDIP56 | | TQFP44 / SDIP42 | | TQFP64 / SDIP56 | | |

Rev. 2.1

May 2000

1/148

This is preliminary information on a new product in development or undergoing evaluation. Details are subject to change without notice.

Table of Contents

| | |
|---|-----------|
| 1 PREAMBLE: ST72C334 VERSUS ST72E331 SPECIFICATION | 4 |
| 2 INTRODUCTION | 5 |
| 3 PIN DESCRIPTION | 6 |
| 4 REGISTER & MEMORY MAP | 12 |
| 5 FLASH PROGRAM MEMORY | 16 |
| 5.1 INTRODUCTION | 16 |
| 5.2 MAIN FEATURES | 16 |
| 5.3 STRUCTURAL ORGANISATION | 16 |
| 5.4 IN-SITU PROGRAMMING (ISP) MODE | 16 |
| 5.5 MEMORY READ-OUT PROTECTION | 16 |
| 6 DATA EEPROM | 17 |
| 6.1 INTRODUCTION | 17 |
| 6.2 MAIN FEATURES | 17 |
| 6.3 MEMORY ACCESS | 18 |
| 6.4 POWER SAVING MODES | 19 |
| 6.5 ACCESS ERROR HANDLING | 19 |
| 6.6 REGISTER DESCRIPTION | 20 |
| 6.7 READ-OUT PROTECTION OPTION | 20 |
| 7 CENTRAL PROCESSING UNIT | 21 |
| 7.1 INTRODUCTION | 21 |
| 7.2 MAIN FEATURES | 21 |
| 7.3 CPU REGISTERS | 21 |
| 8 SUPPLY, RESET AND CLOCK MANAGEMENT | 24 |
| 8.1 LOW VOLTAGE DETECTOR (LVD) | 25 |
| 8.2 RESET SEQUENCE MANAGER (RSM) | 26 |
| 8.3 MULTI-OSCILLATOR (MO) | 28 |
| 8.4 CLOCK SECURITY SYSTEM (CSS) | 29 |
| 8.5 SUPPLY, RESET AND CLOCK REGISTER DESCRIPTION | 30 |
| 9 INTERRUPTS | 31 |
| 9.1 NON MASKABLE SOFTWARE INTERRUPT | 31 |
| 9.2 EXTERNAL INTERRUPTS | 31 |
| 9.3 PERIPHERAL INTERRUPTS | 31 |
| 10 POWER SAVING MODES | 33 |
| 10.1 INTRODUCTION | 33 |
| 10.2 SLOW MODE | 33 |
| 10.3 WAIT MODE | 34 |
| 10.4 ACTIVE-HALT AND HALT MODES | 35 |
| 11 I/O PORTS | 37 |
| 11.1 INTRODUCTION | 37 |
| 11.2 FUNCTIONAL DESCRIPTION | 37 |
| 11.3 I/O PORT IMPLEMENTATION | 40 |
| 11.4 LOW POWER MODES | 41 |

Table of Contents

| | | |
|-----------|--|------------|
| 11.5 | INTERRUPTS | 41 |
| 12 | MISCELLANEOUS REGISTERS | 44 |
| 12.1 | I/O PORT INTERRUPT SENSITIVITY | 44 |
| 12.2 | I/O PORT ALTERNATE FUNCTIONS | 44 |
| 12.3 | REGISTERS DESCRIPTION | 45 |
| 13 | ON-CHIP PERIPHERALS | 47 |
| 13.1 | WATCHDOG TIMER (WDG) | 47 |
| 13.2 | MAIN CLOCK CONTROLLER WITH REAL TIME CLOCK TIMER (MCC/RTC) | 50 |
| 13.3 | 16-BIT TIMER | 52 |
| 13.4 | SERIAL PERIPHERAL INTERFACE (SPI) | 70 |
| 13.5 | SERIAL COMMUNICATIONS INTERFACE (SCI) | 83 |
| 13.6 | 8-BIT A/D CONVERTER (ADC) | 95 |
| 14 | INSTRUCTION SET | 99 |
| 14.1 | ST7 ADDRESSING MODES | 99 |
| 14.2 | INSTRUCTION GROUPS | 102 |
| 15 | ELECTRICAL CHARACTERISTICS | 105 |
| 15.1 | PARAMETER CONDITIONS | 105 |
| 15.2 | ABSOLUTE MAXIMUM RATINGS | 106 |
| 15.3 | OPERATING CONDITIONS | 107 |
| 15.4 | SUPPLY CURRENT CHARACTERISTICS | 110 |
| 15.5 | CLOCK AND TIMING CHARACTERISTICS | 113 |
| 15.6 | MEMORY CHARACTERISTICS | 119 |
| 15.7 | EMC CHARACTERISTICS | 120 |
| 15.8 | I/O PORT PIN CHARACTERISTICS | 125 |
| 15.9 | CONTROL PIN CHARACTERISTICS | 128 |
| 15.10 | TIMER PERIPHERAL CHARACTERISTICS | 131 |
| 15.11 | COMMUNICATION INTERFACE CHARACTERISTICS | 132 |
| 15.12 | 8-BIT ADC CHARACTERISTICS | 135 |
| 16 | PACKAGE CHARACTERISTICS | 137 |
| 16.1 | PACKAGE MECHANICAL DATA | 137 |
| 16.2 | THERMAL CHARACTERISTICS | 139 |
| 16.3 | SOLDERING AND GLUEABILITY INFORMATION | 140 |
| 16.4 | PACKAGE/SOCKET FOOTPRINT PROPOSAL | 141 |
| 17 | DEVICE CONFIGURATION AND ORDERING INFORMATION | 143 |
| 17.1 | OPTION BYTES | 143 |
| 17.2 | DEVELOPMENT TOOLS | 146 |
| 18 | SUMMARY OF CHANGES | 147 |

1 PREAMBLE: ST72C334 VERSUS ST72E331 SPECIFICATION

New Features available on the ST72C334

- 8 or 16K FLASH/ROM with In-Situ Programming and Read-out protection
- New ADC with a better accuracy and conversion time
- New configurable Clock, Reset and Supply system
- New power saving mode with real time base: Active Halt
- Beep capability on PF1
- New interrupt source: Clock security system (CSS) or Main clock controller (MCC)

ST72C334 I/O Configuration and Pinout

- Same pinout as ST72E331
- PA6 and PA7 are true open drain I/O ports without pull-up (same as ST72E331)
- PA3, PB3, PB4 and PF2 have no pull-up configuration (all I/Os present on TQFP44)
- PA5:4, PC3:2, PE7:4 and PF7:6 have high sink capabilities (20mA on N-buffer, 2mA on P-buffer and pull-up). On the ST72E331, all these pads (except PA5:4) were 2mA push-pull pads without high sink capabilities. PA4 and PA5 were 20mA true open drains.

New Memory Locations in ST72C334

- 20h: MISCR register becomes MISCR1 register (naming change)
- 29h: new control/status register for the MCC module
- 2Bh: new control/status register for the Clock, Reset and Supply control. This register replaces the WDGSR register keeping the WDOGF flag compatibility.
- 40h: new MISCR2 register

EEPW.com.cn 电子产品世界

2 INTRODUCTION

The ST72334J/N, ST72314J/N and ST72124J devices are members of the ST7 microcontroller family. They can be grouped as follows:

- ST72334J/N devices are designed for mid-range applications with Data EEPROM, ADC, SPI and SCI interface capabilities.
- ST72314J/N devices target the same range of applications but without Data EEPROM.
- ST72124J devices are for applications that do not need Data EEPROM and the ADC peripheral.

All devices are based on a common industry-standard 8-bit core, featuring an enhanced instruction set.

The ST72C334J/N, ST72C314J/N and ST72C124J versions feature single-voltage

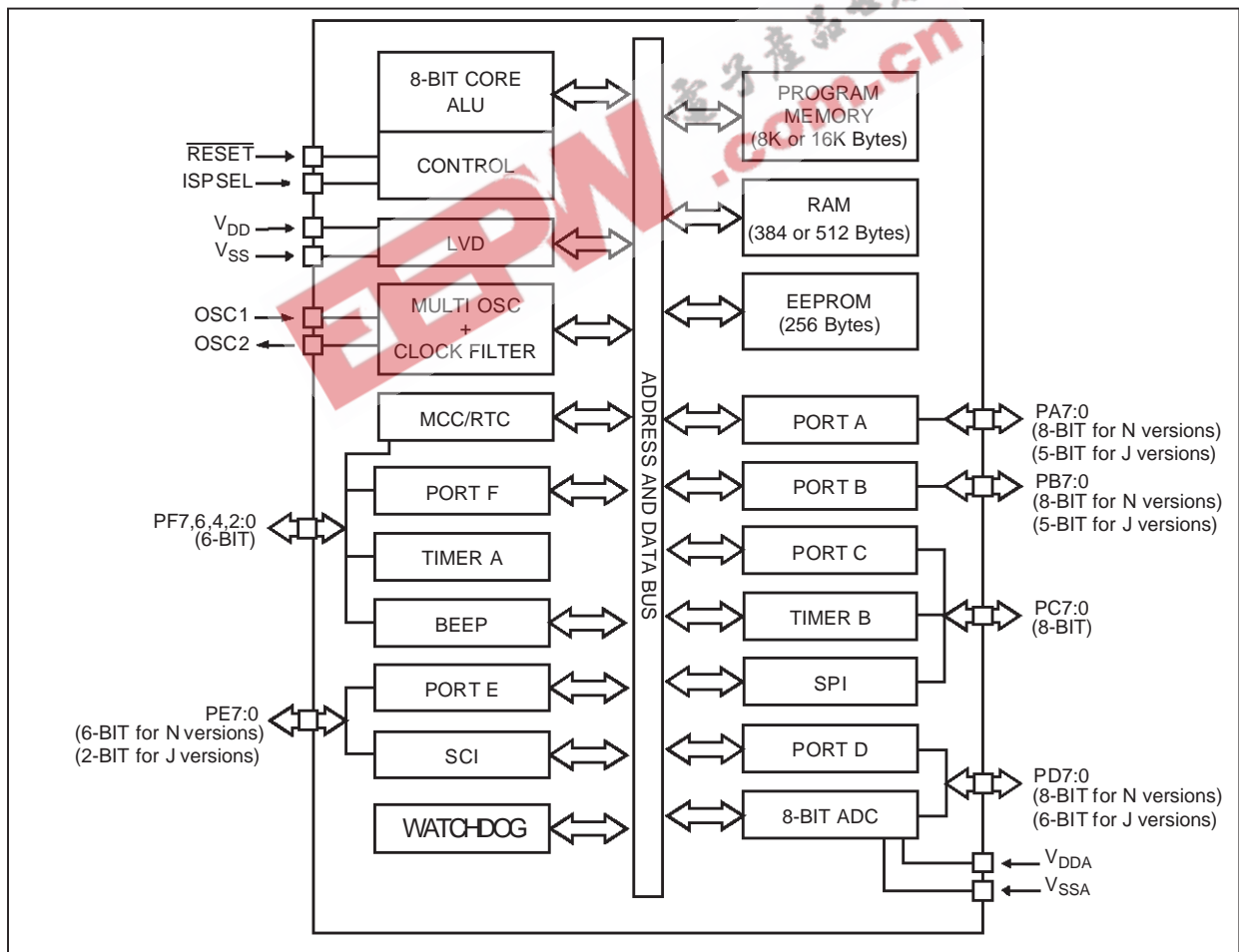
FLASH memory with byte-by-byte In-Situ Programming (ISP) capability.

Under software control, all devices can be placed in WAIT, SLOW, ACTIVE-HALT or HALT mode, reducing power consumption when the application is in idle or standby state.

The enhanced instruction set and addressing modes of the ST7 offer both power and flexibility to software developers, enabling the design of highly efficient and compact application code. In addition to standard 8-bit data management, all ST7 microcontrollers feature true bit manipulation, 8x8 unsigned multiplication and indirect addressing modes.

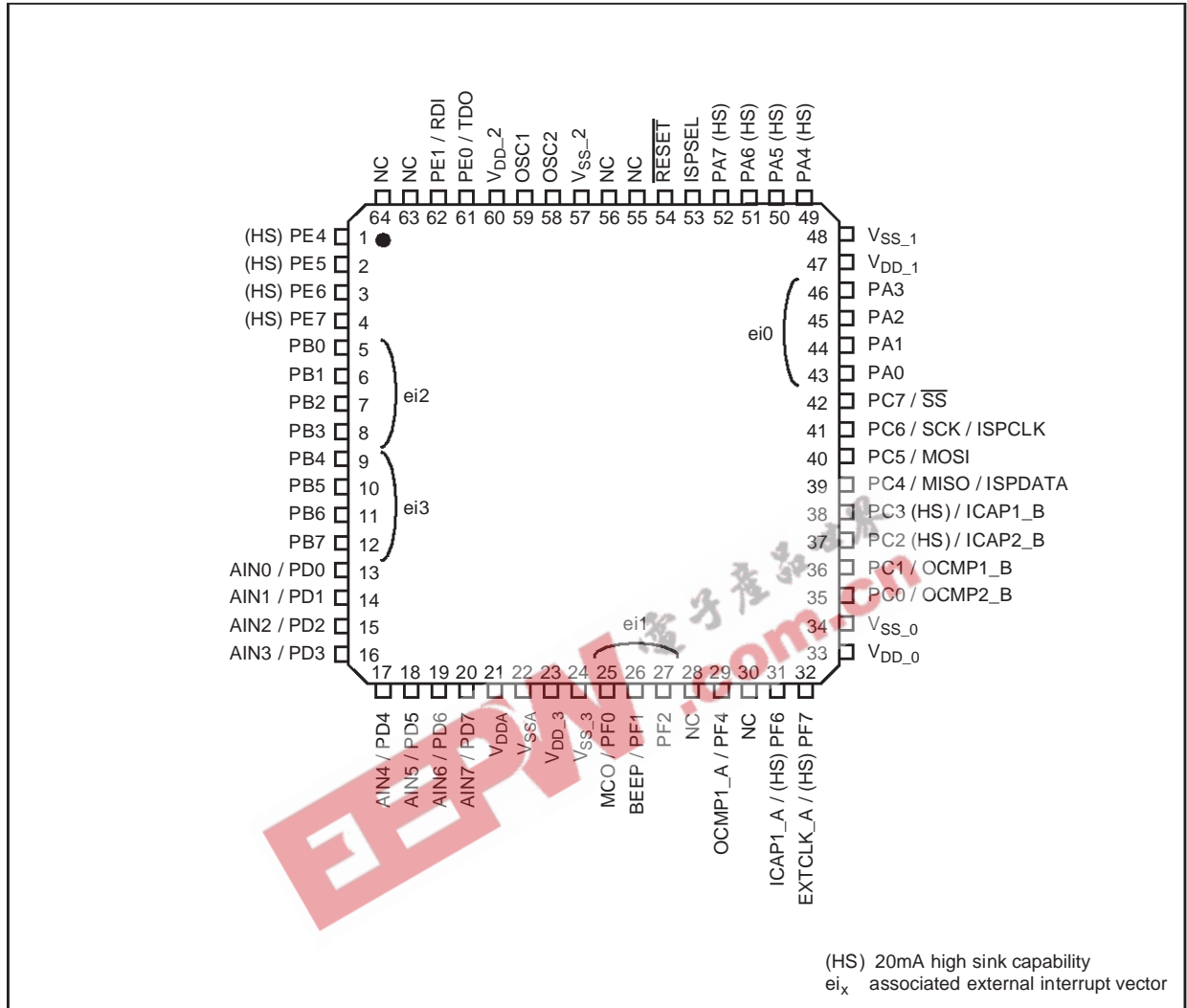
For easy reference, all parametric data are located in Section 15 on page 105.

Figure 1. General Block Diagram



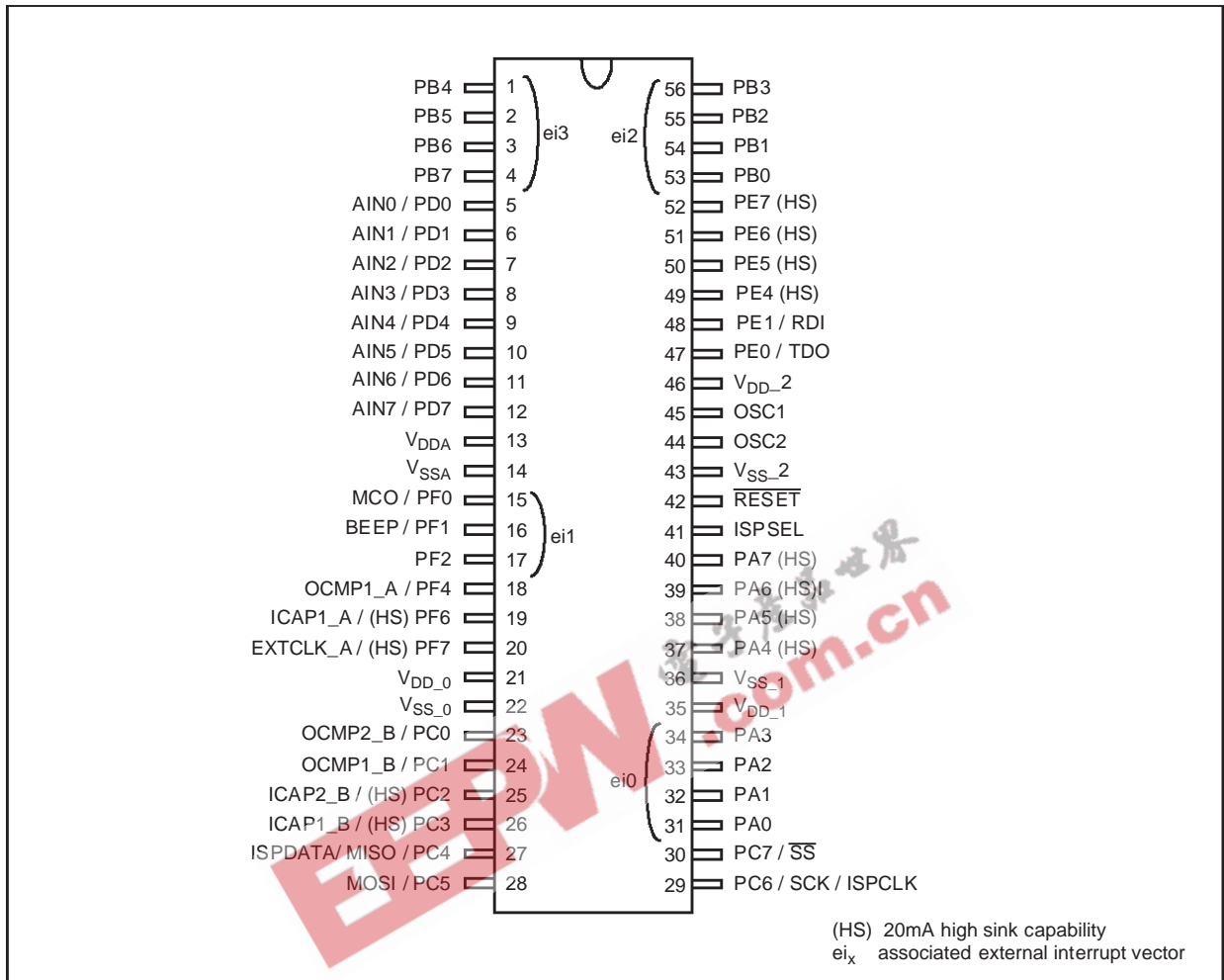
3 PIN DESCRIPTION

Figure 2. 64-Pin TQFP Package Pinout (N versions)



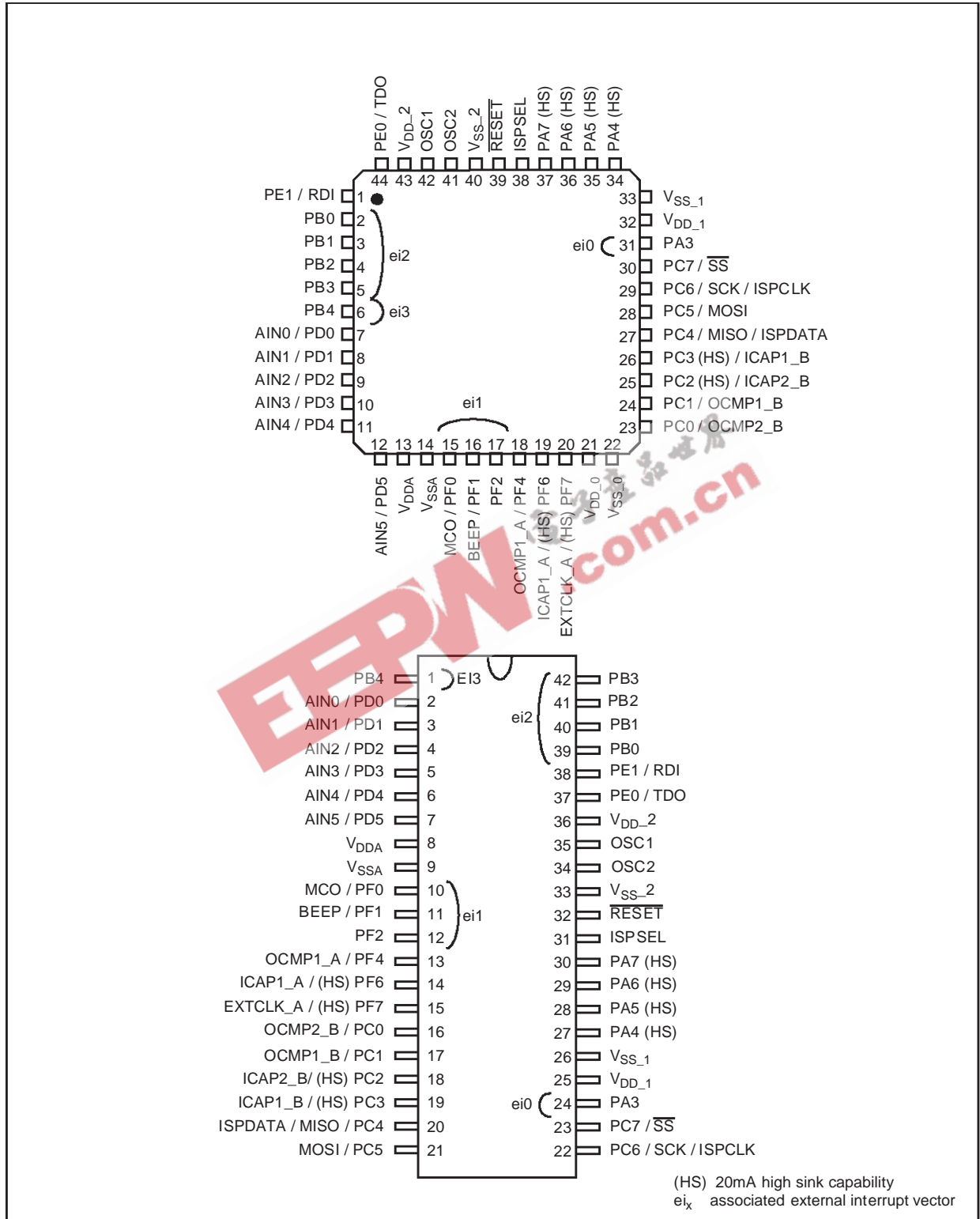
PIN DESCRIPTION (Cont'd)

Figure 3. 56-Pin SDIP Package Pinout (N versions)



PIN DESCRIPTION (Cont'd)

Figure 4. 44-Pin TQFP and 42-Pin SDIP Package Pinouts (J versions)



PIN DESCRIPTION (Cont'd)

For external pin connection guidelines, refer to Section 15 "ELECTRICAL CHARACTERISTICS" on page 105.

Legend / Abbreviations for Table 1:

Type: I = input, O = output, S = supply

Input level: A = Dedicated analog input

In/Output level: C = CMOS $0.3V_{DD}/0.7V_{DD}$,
C_T = CMOS $0.3V_{DD}/0.7V_{DD}$ with input trigger

Output level: HS = 20mA high sink (on N-buffer only)

Port and control configuration:

- Input: float = floating, wpu = weak pull-up, int = interrupt ¹⁾, ana = analog
- Output: OD = open drain ²⁾, PP = push-pull

Refer to Section 11 "I/O PORTS" on page 37 for more details on the software configuration of the I/O ports.

The RESET configuration of each pin is shown in bold. This configuration is valid as long as the device is in reset state.

Table 1. Device Pin Description

| Pin n° | | | | Pin Name | Type | Level | | Port | | | | | | Main function (after reset) | Alternate function |
|--------|--------|-------|--------|-------------------|------|----------------|--------|-------|-----|-----|-----|--------|----|-----------------------------|-----------------------------|
| TQFP64 | SDIP56 | QFP44 | SDIP42 | | | Input | Output | Input | | | | Output | | | |
| | | | | | | | | float | wpu | int | ana | OD | PP | | |
| 1 | 49 | | | PE4 (HS) | I/O | C _T | HS | X | X | | | X | X | Port E4 | |
| 2 | 50 | | | PE5 (HS) | I/O | C _T | HS | X | X | | | X | X | Port E5 | |
| 3 | 51 | | | PE6 (HS) | I/O | C _T | HS | X | X | | | X | X | Port E6 | |
| 4 | 52 | | | PE7 (HS) | I/O | C _T | HS | X | X | | | X | X | Port E7 | |
| 5 | 53 | 2 | 39 | PB0 | I/O | C _T | | X | | ei2 | | X | X | Port B0 | |
| 6 | 54 | 3 | 40 | PB1 | I/O | C _T | | X | | ei2 | | X | X | Port B1 | |
| 7 | 55 | 4 | 41 | PB2 | I/O | C _T | | X | | ei2 | | X | X | Port B2 | |
| 8 | 56 | 5 | 42 | PB3 | I/O | C _T | | X | | ei2 | | X | X | Port B3 | |
| 9 | 1 | 6 | 1 | PB4 | I/O | C _T | | X | | ei3 | | X | X | Port B4 | |
| 10 | 2 | | | PB5 | I/O | C _T | | X | | ei3 | | X | X | Port B5 | |
| 11 | 3 | | | PB6 | I/O | C _T | | X | | ei3 | | X | X | Port B6 | |
| 12 | 4 | | | PB7 | I/O | C _T | | X | | ei3 | | X | X | Port B7 | |
| 13 | 5 | 7 | 2 | PD0/AIN0 | I/O | C _T | | X | X | | X | X | X | Port D0 | ADC Analog Input 0 |
| 14 | 6 | 8 | 3 | PD1/AIN1 | I/O | C _T | | X | X | | X | X | X | Port D1 | ADC Analog Input 1 |
| 15 | 7 | 9 | 4 | PD2/AIN2 | I/O | C _T | | X | X | | X | X | X | Port D2 | ADC Analog Input 2 |
| 16 | 8 | 10 | 5 | PD3/AIN3 | I/O | C _T | | X | X | | X | X | X | Port D3 | ADC Analog Input 3 |
| 17 | 9 | 11 | 6 | PD4/AIN4 | I/O | C _T | | X | X | | X | X | X | Port D4 | ADC Analog Input 4 |
| 18 | 10 | 12 | 7 | PD5/AIN5 | I/O | C _T | | X | X | | X | X | X | Port D5 | ADC Analog Input 5 |
| 19 | 11 | | | PD6/AIN6 | I/O | C _T | | X | X | | X | X | X | Port D6 | ADC Analog Input 6 |
| 20 | 12 | | | PD7/AIN7 | I/O | C _T | | X | X | | X | X | X | Port D7 | ADC Analog Input 7 |
| 21 | 13 | 13 | 8 | V _{DDA} | S | | | | | | | | | | Analog Power Supply Voltage |
| 22 | 14 | 14 | 9 | V _{SSA} | S | | | | | | | | | | Analog Ground Voltage |
| 23 | | | | V _{DD_3} | S | | | | | | | | | | Digital Main Supply Voltage |

ST72334J/N, ST72314J/N, ST72124J

| Pin n° | | | | Pin Name | Type | Level | | Port | | | | | | Main function (after reset) | Alternate function |
|--------|--------|-------|--------|--------------------|---------------|----------------|--------|-------|-----|-----|-----|--------|---------|---|------------------------|
| TQFP64 | SDIP56 | QFP44 | SDIP42 | | | Input | Output | Input | | | | Output | | | |
| | | | | | | | | float | wpu | int | ana | OD | PP | | |
| 24 | | | | V _{SS_3} | S | | | | | | | | | | Digital Ground Voltage |
| 25 | 15 | 15 | 10 | PF0/MCO | I/O | C _T | X | | ei1 | | X | X | Port F0 | Main clock output (f _{OSC} /2) | |
| 26 | 16 | 16 | 11 | PF1/BEEP | I/O | C _T | X | | ei1 | | X | X | Port F1 | Beep signal output | |
| 27 | 17 | 17 | 12 | PF2 | I/O | C _T | X | | ei1 | | X | X | Port F2 | | |
| 28 | | | | NC | Not Connected | | | | | | | | | | |
| 29 | 18 | 18 | 13 | PF4/OCMP1_A | I/O | C _T | X | X | | | X | X | Port F4 | Timer A Output Compare 1 | |
| 30 | | | | NC | Not Connected | | | | | | | | | | |
| 31 | 19 | 19 | 14 | PF6 (HS)/ICAP1_A | I/O | C _T | HS | X | X | | X | X | Port F6 | Timer A Input Capture 1 | |
| 32 | 20 | 20 | 15 | PF7 (HS)/EXTCLK_A | I/O | C _T | HS | X | X | | X | X | Port F7 | Timer A External Clock Source | |
| 33 | 21 | 21 | | V _{DD_0} | S | | | | | | | | | Digital Main Supply Voltage | |
| 34 | 22 | 22 | | V _{SS_0} | S | | | | | | | | | Digital Ground Voltage | |
| 35 | 23 | 23 | 16 | PC0/OCMP2_B | I/O | C _T | | X | X | | X | X | Port C0 | Timer B Output Compare 2 | |
| 36 | 24 | 24 | 17 | PC1/OCMP1_B | I/O | C _T | | X | X | | X | X | Port C1 | Timer B Output Compare 1 | |
| 37 | 25 | 25 | 18 | PC2 (HS)/ICAP2_B | I/O | C _T | HS | X | X | | X | X | Port C2 | Timer B Input Capture 2 | |
| 38 | 26 | 26 | 19 | PC3 (HS)/ICAP1_B | I/O | C _T | HS | X | X | | X | X | Port C3 | Timer B Input Capture 1 | |
| 39 | 27 | 27 | 20 | PC4/MISO | I/O | C _T | | X | X | | X | X | Port C4 | SPI Master In / Slave Out Data | |
| 40 | 28 | 28 | 21 | PC5/MOSI | I/O | C _T | | X | X | | X | X | Port C5 | SPI Master Out / Slave In Data | |
| 41 | 29 | 29 | 22 | PC6/SCK | I/O | C _T | | X | X | | X | X | Port C6 | SPI Serial Clock | |
| 42 | 30 | 30 | 23 | PC7/SS | I/O | C _T | | X | X | | X | X | Port C7 | SPI Slave Select (active low) | |
| 43 | 31 | | | PA0 | I/O | C _T | | X | ei0 | | X | X | Port A0 | | |
| 44 | 32 | | | PA1 | I/O | C _T | | X | ei0 | | X | X | Port A1 | | |
| 45 | 33 | | | PA2 | I/O | C _T | | X | ei0 | | X | X | Port A2 | | |
| 46 | 34 | 31 | 24 | PA3 | I/O | C _T | | X | ei0 | | X | X | Port A3 | | |
| 47 | 35 | 32 | 25 | V _{DD_1} | S | | | | | | | | | Digital Main Supply Voltage | |
| 48 | 36 | 33 | 26 | V _{SS_1} | S | | | | | | | | | Digital Ground Voltage | |
| 49 | 37 | 34 | 27 | PA4 (HS) | I/O | C _T | HS | X | X | | X | X | Port A4 | | |
| 50 | 38 | 35 | 28 | PA5 (HS) | I/O | C _T | HS | X | X | | X | X | Port A5 | | |
| 51 | 39 | 36 | 29 | PA6 (HS) | I/O | C _T | HS | X | | | T | | Port A6 | | |
| 52 | 40 | 37 | 30 | PA7 (HS) | I/O | C _T | HS | X | | | T | | Port A7 | | |
| 53 | 41 | 38 | 31 | ISPSEL | I | | | | | | | | | Must be tied low in user mode. In programming mode when available, this pin acts as In-Situ Programming mode selection. | |
| 54 | 42 | 39 | 32 | RESET | I/O | C | | | X | | | X | | Top priority non maskable interrupt (active low) | |
| 55 | | | | NC | Not Connected | | | | | | | | | | |
| 56 | | | | NC | Not Connected | | | | | | | | | | |
| 57 | 43 | 40 | 33 | V _{SS_3} | S | | | | | | | | | Digital Ground Voltage | |
| 58 | 44 | 41 | 34 | OSC2 ³⁾ | O | | | | | | | | | Resonator oscillator inverter output or capacitor input for RC oscillator | |

| Pin n° | | | | Pin Name | Type | Level | | Port | | | | | | Main function (after reset) | Alternate function |
|--------|--------|-------|--------|--------------------|---------------|----------------|--------|-------|-----|-----|-----|--------|---------|-----------------------------|---|
| TQFP64 | SDIP56 | QFP44 | SDIP42 | | | Input | Output | Input | | | | Output | | | |
| | | | | | | | | float | wpu | int | ana | OD | PP | | |
| 59 | 45 | 42 | 35 | OSC1 ³⁾ | I | | | | | | | | | | External clock input or Resonator oscillator inverter input or resistor input for RC oscillator |
| 60 | 46 | 43 | 36 | V _{DD_3} | S | | | | | | | | | | Digital Main Supply Voltage |
| 61 | 47 | 44 | 37 | PE0/TDO | I/O | C _T | X | X | | | X | X | Port E0 | SCI Transmit Data Out | |
| 62 | 48 | 1 | 38 | PE1/RDI | I/O | C _T | X | X | | | X | X | Port E1 | SCI Receive Data In | |
| 63 | | | | NC | Not Connected | | | | | | | | | | |
| 64 | | | | NC | | | | | | | | | | | |

Notes:

1. In the interrupt input column, "ei_x" defines the associated external interrupt vector. If the weak pull-up column (wpu) is merged with the interrupt column (int), then the I/O configuration is pull-up interrupt input, else the configuration is floating interrupt input.
2. In the open drain output column, "T" defines a true open drain I/O (P-Buffer and protection diode to V_{DD} are not implemented). See Section 11 "I/O PORTS" on page 37 and Section 15.8 "I/O PORT PIN CHARACTERISTICS" on page 125 for more details.
3. OSC1 and OSC2 pins connect a crystal or ceramic resonator, an external RC, or an external source to the on-chip oscillator see Section 3 "PIN DESCRIPTION" on page 6 and Section 15.5 "CLOCK AND TIMING CHARACTERISTICS" on page 113 for more details.

4 REGISTER & MEMORY MAP

As shown in the Figure 5, the MCU is capable of addressing 64K bytes of memories and I/O registers.

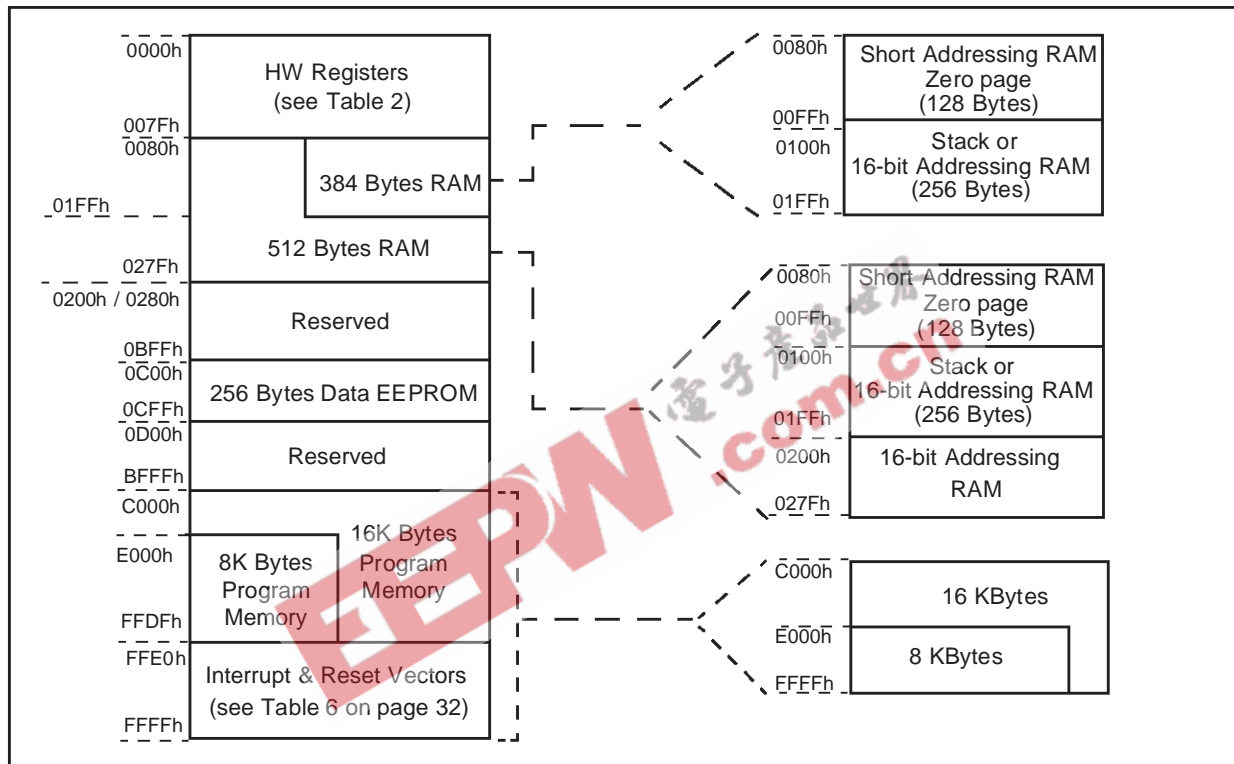
The available memory locations consist of 128 bytes of register locations, 384 or 512 bytes of RAM, up to 256 bytes of data EEPROM and 4 or 8 Kbytes of user program memory. The RAM

space includes up to 256 bytes for the stack from 0100h to 01FFh.

The highest address bytes contain the user reset and interrupt vectors.

IMPORTANT: Memory locations marked as “Reserved” must never be accessed. Accessing a reserved area can have unpredictable effects on the device.

Figure 5. Memory Map



REGISTER & MEMORY MAP (Cont'd)

Table 2. Hardware Register Map

| Address | Block | Register Label | Register Name | Reset Status | Remarks |
|-------------------------|-------------------------|-------------------------|--|---------------------------------|---------------------------------|
| 0000h 0001h 0002h | Port A | PADR PADDR PAOR | Port A Data Register Port A Data Direction Register Port A Option Register | 00h ¹⁾ 00h 00h | R/W R/W R/W ²⁾ |
| 0003h | Reserved Area (1 Byte) | | | | |
| 0004h 0005h 0006h | Port C | PCDR PCDDR PCOR | Port C Data Register Port C Data Direction Register Port C Option Register | 00h ¹⁾ 00h 00h | R/W R/W R/W |
| 0007h | Reserved Area (1 Byte) | | | | |
| 0008h 0009h 000Ah | Port B | PBDR PBDDR PBOR | Port B Data Register Port B Data Direction Register Port B Option Register | 00h ¹⁾ 00h 00h | R/W R/W R/W ²⁾ |
| 000Bh | Reserved Area (1 Byte) | | | | |
| 000Ch 000Dh 000Eh | Port E | PEDR PEDDR PEOR | Port E Data Register Port E Data Direction Register Port E Option Register | 00h ¹⁾ 00h 00h | R/W R/W R/W ²⁾ |
| 000Fh | Reserved Area (1 Byte) | | | | |
| 0010h 0011h 0012h | Port D | PDDR PDDDR PDOR | Port D Data Register Port D Data Direction Register Port D Option Register | 00h ¹⁾ 00h 00h | R/W R/W R/W ²⁾ |
| 0013h | Reserved Area (1 Byte) | | | | |
| 0014h 0015h 0016h | Port F | PFDR PFDDR PFOR | Port F Data Register Port F Data Direction Register Port F Option Register | 00h ¹⁾ 00h 00h | R/W R/W R/W |
| 0017h to 001Fh | Reserved Area (9 Bytes) | | | | |
| 0020h | | MISCR1 | Miscellaneous Register 1 | 00h | R/W |
| 0021h 0022h 0023h | SPI | SPIDR SPICR SPISR | SPI Data I/O Register SPI Control Register SPI Status Register | xxh 0xh 00h | R/W R/W Read Only |
| 0024h to 0028h | Reserved Area (5 Bytes) | | | | |
| 0029h | MCC | MCCSR | Main Clock Control / Status Register | 01h | R/W |

ST72334J/N, ST72314J/N, ST72124J

| Address | Block | Register Label | Register Name | Reset Status | Remarks |
|---|-------------------------|---|---|---|---|
| 002Ah | WATCHDOG | WDGCR | Watchdog Control Register | 7Fh | R/W |
| 002Bh | | CRSR | Clock, Reset, Supply Control / Status Register | 000x 000x | R/W |
| 002Ch | Data-EEPROM | EECSR | Data-EEPROM Control/Status Register | 00h | R/W |
| 002Dh 0030h | Reserved Area (4 Bytes) | | | | |
| 0031h 0032h 0033h 0034h 0035h 0036h 0037h 0038h 0039h 003Ah 003Bh 003Ch 003Dh 003Eh 003Fh | TIMER A | TACR2 TACR1 TASR TAIC1HR TAIC1LR TAOC1HR TAOC1LR TACHR TACL TAACHR TAACL TAIC2HR TAIC2LR TAOC2HR TAOC2LR | Timer A Control Register 2 Timer A Control Register 1 Timer A Status Register Timer A Input Capture 1 High Register Timer A Input Capture 1 Low Register Timer A Output Compare 1 High Register Timer A Output Compare 1 Low Register Timer A Counter High Register Timer A Counter Low Register Timer A Alternate Counter High Register Timer A Alternate Counter Low Register Timer A Input Capture 2 High Register Timer A Input Capture 2 Low Register Timer A Output Compare 2 High Register Timer A Output Compare 2 Low Register | 00h 00h xxh xxh xxh 80h 00h FFh FCh FFh FCh xxh xxh 80h 00h | R/W R/W Read Only Read Only Read Only R/W R/W Read Only Read Only Read Only Read Only Read Only ³⁾ Read Only ³⁾ R/W ³⁾ R/W ³⁾ |
| 0040h | | MISCR2 | Miscellaneous Register 2 | 00h | R/W |
| 0041h 0042h 0043h 0044h 0045h 0046h 0047h 0048h 0049h 004Ah 004Bh 004Ch 004Dh 004Eh 004Fh | TIMER B | TBCR2 TBCR1 TBSR TBIC1HR TBIC1LR TBOC1HR TBOC1LR TBCHR TBCLR TBACHR TBACL TBIC2HR TBIC2LR TBOC2HR TBOC2LR | Timer B Control Register 2 Timer B Control Register 1 Timer B Status Register Timer B Input Capture 1 High Register Timer B Input Capture 1 Low Register Timer B Output Compare 1 High Register Timer B Output Compare 1 Low Register Timer B Counter High Register Timer B Counter Low Register Timer B Alternate Counter High Register Timer B Alternate Counter Low Register Timer B Input Capture 2 High Register Timer B Input Capture 2 Low Register Timer B Output Compare 2 High Register Timer B Output Compare 2 Low Register | 00h 00h xxh xxh xxh 80h 00h FFh FCh FFh FCh xxh xxh 80h 00h | R/W R/W Read Only Read Only Read Only R/W R/W Read Only Read Only Read Only Read Only Read Only Read Only R/W R/W |
| 0050h 0051h 0052h 0053h 0054h 0055h 0056h 0057h | SCI | SCISR SCIDR SCIBRR SCICR1 SCICR2 SCIERPR SCIETPR | SCI Status Register SCI Data Register SCI Baud Rate Register SCI Control Register 1 SCI Control Register 2 SCI Extended Receive Prescaler Register Reserved area SCI Extended Transmit Prescaler Register | C0h xxh 00xx xxxx xxh 00h 00h --- | Read Only R/W R/W R/W R/W R/W --- |

| Address | Block | Register Label | Register Name | Reset Status | Remarks |
|----------------------|--------------------------|-----------------|--|--------------|------------------|
| 0058h 006Fh | Reserved Area (24 Bytes) | | | | |
| 0070h 0071h | ADC | ADCDR ADCCSR | Data Register Control/Status Register | xxh 00h | Read Only R/W |
| 0072h to 007Fh | Reserved Area (14 Bytes) | | | | |

Legend: x=undefined, R/W=read/write

Notes:

1. The contents of the I/O port DR registers are readable only in output configuration. In input configuration, the values of the I/O pins are returned instead of the DR register contents.
2. The bits corresponding to unavailable pins are forced to 1 by hardware, affecting accordingly the reset status value. These bits must always keep their reset value.
3. External pin not available.

EEPW.com.cn 电子產品世界

5 FLASH PROGRAM MEMORY

5.1 INTRODUCTION

FLASH devices have a single voltage non-volatile FLASH memory that may be programmed in-situ (or plugged in a programming tool) on a byte-by-byte basis.

5.2 MAIN FEATURES

- Remote In-Situ Programming (ISP) mode
- Up to 16 bytes programmed in the same cycle
- MTP memory (Multiple Time Programmable)
- Read-out memory protection against piracy

5.3 STRUCTURAL ORGANISATION

The FLASH program memory is organised in a single 8-bit wide memory block which can be used for storing both code and data constants.

The FLASH program memory is mapped in the upper part of the ST7 addressing space and includes the reset and interrupt user vector area .

5.4 IN-SITU PROGRAMMING (ISP) MODE

The FLASH program memory can be programmed using Remote ISP mode. This ISP mode allows the contents of the ST7 program memory to be updated using a standard ST7 programming tools after the device is mounted on the application board. This feature can be implemented with a minimum number of added components and board area impact.

An example Remote ISP hardware interface to the standard ST7 programming tool is described below. For more details on ISP programming, refer to the ST7 Programming Specification.

Remote ISP Overview

The Remote ISP mode is initiated by a specific sequence on the dedicated ISPSEL pin.

The Remote ISP is performed in three steps:

- Selection of the RAM execution mode
- Download of Remote ISP code in RAM
- Execution of Remote ISP code in RAM to program the user program into the FLASH

Remote ISP hardware configuration

In Remote ISP mode, the ST7 has to be supplied with power (V_{DD} and V_{SS}) and a clock signal (oscillator and application crystal circuit for example).

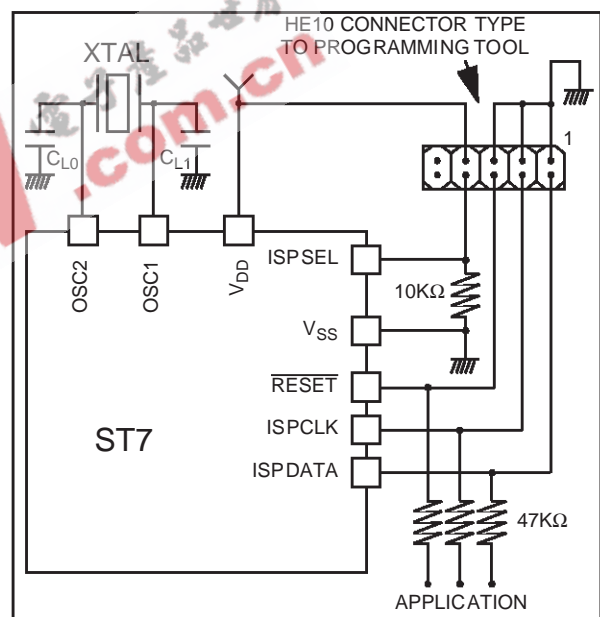
This mode needs five signals (plus the V_{DD} signal if necessary) to be connected to the programming tool. This signals are:

- \overline{RESET} : device reset
- V_{SS} : device ground power supply
- ISPCLK: ISP output serial clock pin
- ISPDATA: ISP input serial data pin
- ISPSEL: Remote ISP mode selection. This pin must be connected to V_{SS} on the application board through a pull-down resistor.

If any of these pins are used for other purposes on the application, a serial resistor has to be implemented to avoid a conflict if the other device forces the signal level.

Figure 6 shows a typical hardware interface to a standard ST7 programming tool. For more details on the pin locations, refer to the device pinout description.

Figure 6. Typical Remote ISP Interface



5.5 MEMORY READ-OUT PROTECTION

The read-out protection is enabled through an option bit.

For FLASH devices, when this option is selected, the program and data stored in the FLASH memory are protected against read-out piracy (including a re-write protection). When this protection option is removed the entire FLASH program memory is first automatically erased. However, the E²PROM data memory (when available) can be protected only with ROM devices.

6 DATA EEPROM

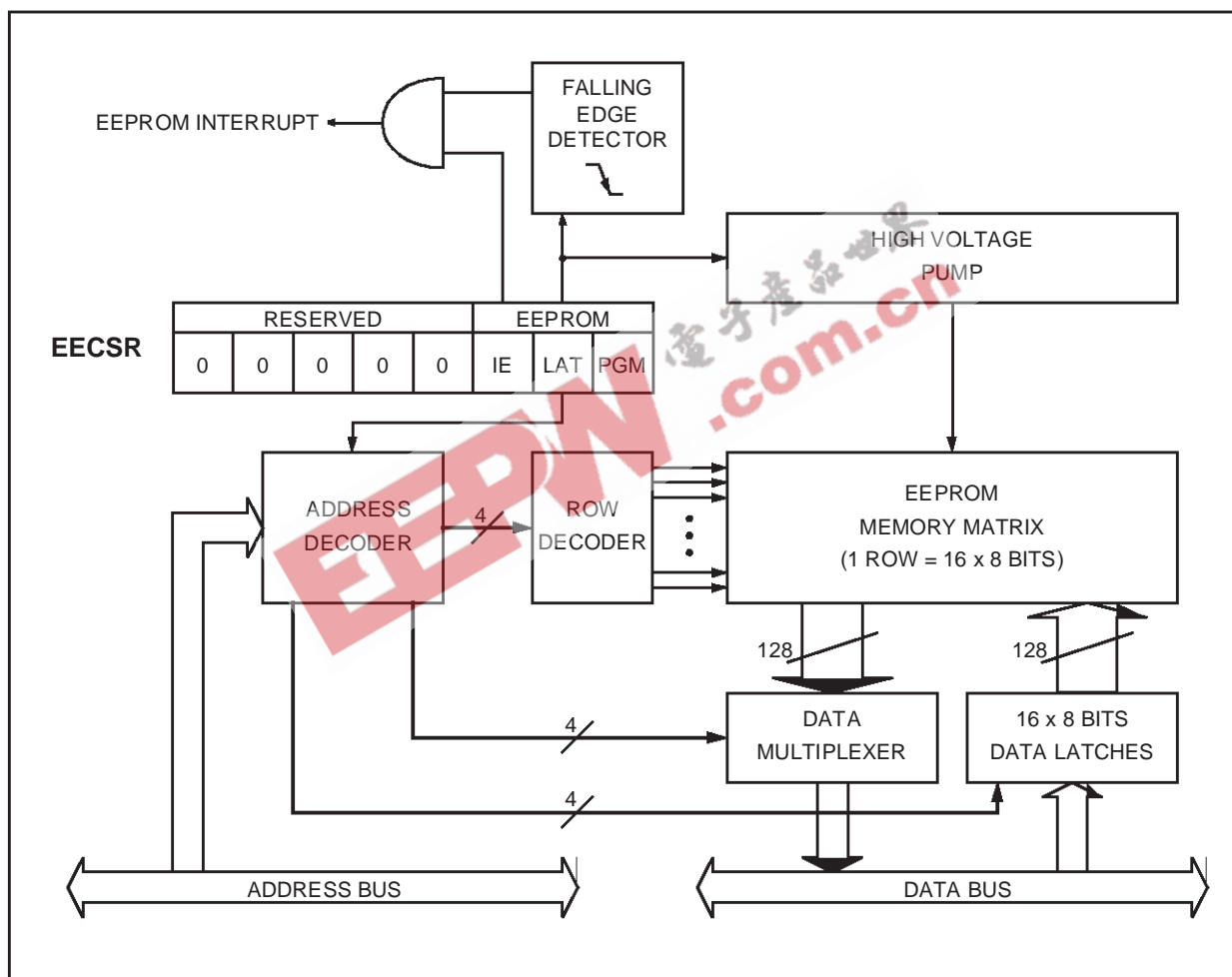
6.1 INTRODUCTION

The Electrically Erasable Programmable Read Only Memory can be used as a non volatile back-up for storing data. Using the EEPROM requires a basic access protocol described in this chapter.

6.2 MAIN FEATURES

- Up to 16 Bytes programmed in the same cycle
- EEPROM mono-voltage (charge pump)
- Chained erase and programming cycles
- Internal control of the global programming cycle duration
- End of programming cycle interrupt flag
- WAIT mode management

Figure 7. EEPROM Block Diagram



DATA EEPROM (Cont'd)

6.3 MEMORY ACCESS

The Data EEPROM memory read/write access modes are controlled by the LAT bit of the EEPROM Control/Status register (EECSR). The flowchart in Figure 8 describes these different memory access modes.

Read Operation (LAT=0)

The EEPROM can be read as a normal ROM location when the LAT bit of the EECSR register is cleared. In a read cycle, the byte to be accessed is put on the data bus in less than 1 CPU clock cycle. This means that reading data from EEPROM takes the same time as reading data from EPROM, but this memory cannot be used to execute machine code.

Write Operation (LAT=1)

To access the write mode, the LAT bit has to be set by software (the PGM bit remains cleared). When a write access to the EEPROM area occurs, the value is latched inside the 16 data latches according to its address.

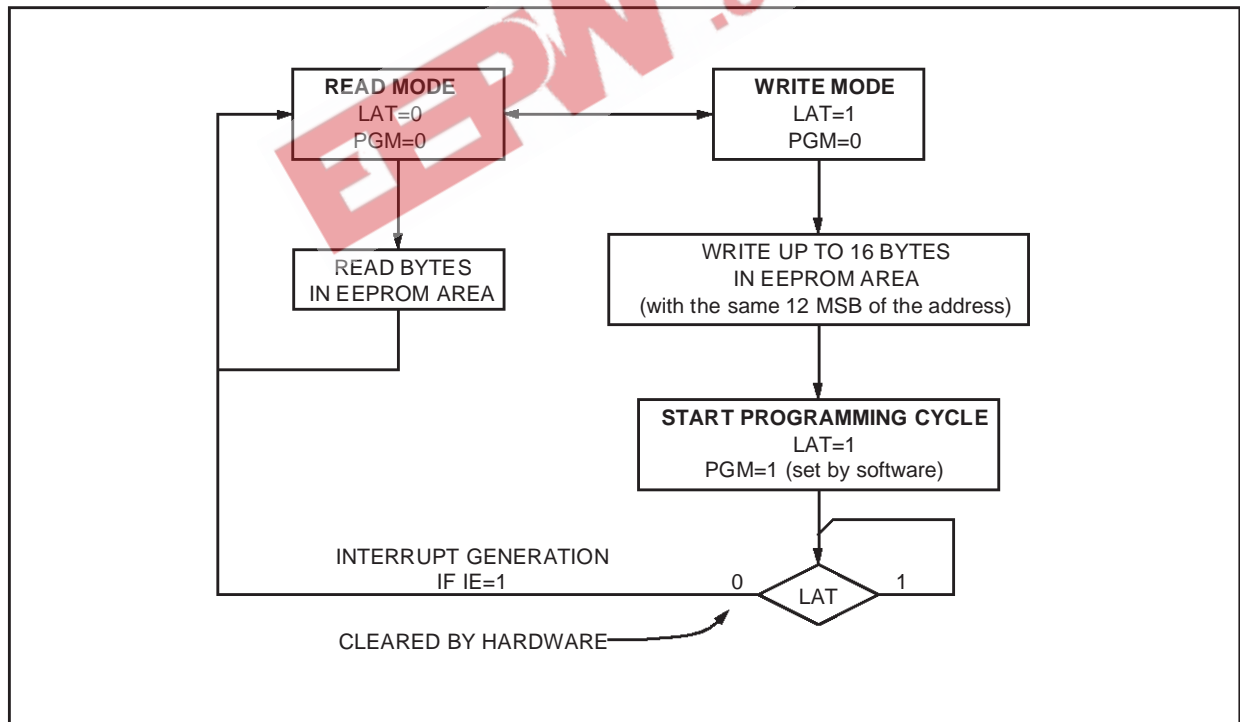
When PGM bit is set by the software, all the previous bytes written in the data latches (up to 16) are programmed in the EEPROM cells. The effective high address (row) is determined by the last EEPROM write sequence. To avoid wrong programming, the user must take care that all the bytes written between two programming sequences have the same high address: only the four Least Significant Bits of the address can change.

At the end of the programming cycle, the PGM and LAT bits are cleared simultaneously, and an interrupt is generated if the IE bit is set. The Data EEPROM interrupt request is cleared by hardware when the Data EEPROM interrupt vector is fetched.

Note: Care should be taken during the programming cycle. Writing to the same memory location will over-program the memory (logical AND between the two write access data result) because the data latches are only cleared at the end of the programming cycle and by the falling edge of LAT bit.

It is not possible to read the latched data. This note is illustrated by the Figure 9.

Figure 8. Data EEPROM Programming Flowchart



DATA EEPROM (Cont'd)

6.4 POWER SAVING MODES

Wait mode

The DATA EEPROM can enter WAIT mode on execution of the WFI instruction of the microcontroller. The DATA EEPROM will immediately enter this mode if there is no programming in progress, otherwise the DATA EEPROM will finish the cycle and then enter WAIT mode.

Halt mode

The DATA EEPROM immediately enters HALT mode if the microcontroller executes the HALT instruction. Therefore the EEPROM will stop the function in progress, and data may be corrupted.

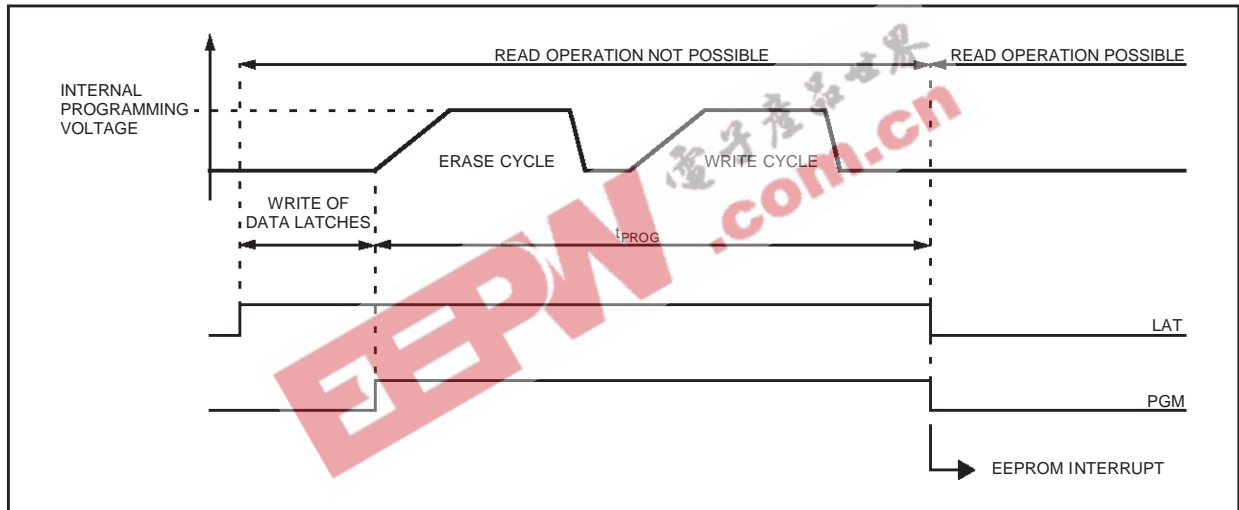
6.5 ACCESS ERROR HANDLING

If a read access occurs while LAT=1, then the data bus will not be driven.

If a write access occurs while LAT=0, then the data on the bus will not be latched.

If a programming cycle is interrupted (by software/RESET action), the memory data will not be guaranteed.

Figure 9. Data EEPROM Programming Cycle



DATA EEPROM (Cont'd)

6.6 REGISTER DESCRIPTION

CONTROL/STATUS REGISTER (CSR)

Read/Write

Reset Value: 0000 0000 (00h)

| | | | | | | | | |
|---|---|---|---|---|---|----|-----|-----|
| 7 | | | | | | | 0 | |
| 0 | 0 | 0 | 0 | 0 | 0 | IE | LAT | PGM |

Bit 7:3 = Reserved, forced by hardware to 0.

Bit 2 = **IE** *Interrupt enable*

This bit is set and cleared by software. It enables the Data EEPROM interrupt capability when the PGM bit is cleared by hardware. The interrupt request is automatically cleared when the software enters the interrupt routine.

0: Interrupt disabled
1: Interrupt enabled

Bit 1 = **LAT** *Latch Access Transfer*

This bit is set by software. It is cleared by hardware at the end of the programming cycle. It can only be cleared by software if PGM bit is cleared.
0: Read mode
1: Write mode

Bit 0 = **PGM** *Programming control and status*

This bit is set by software to begin the programming cycle. At the end of the programming cycle, this bit is cleared by hardware and an interrupt is generated if the ITE bit is set.

0: Programming finished or not yet started
1: Programming cycle is in progress

Note: if the PGM bit is cleared during the programming cycle, the memory data is not guaranteed

Table 3. DATA EEPROM Register Map and Reset Values

| Address (Hex.) | Register Label | 7 | 6 | 5 | 4 | 3 | 2 | 1 | 0 |
|----------------|----------------------|---|---|---|---|---|---------|----------|----------|
| 002Ch | EECSR Reset Value | 0 | 0 | 0 | 0 | 0 | IE 0 | RWM 0 | PGM 0 |

6.7 READ-OUT PROTECTION OPTION

The Data EEPROM can be optionally read-out protected in ST72334 ROM devices (see option

list on page 145). ST72C334 Flash devices do not have this protection option.

7 CENTRAL PROCESSING UNIT

7.1 INTRODUCTION

This CPU has a full 8-bit architecture and contains six internal registers allowing efficient 8-bit data manipulation.

7.2 MAIN FEATURES

- 63 basic instructions
- Fast 8-bit by 8-bit multiply
- 17 main addressing modes
- Two 8-bit index registers
- 16-bit stack pointer
- Low power modes
- Maskable hardware interrupts
- Non-maskable software interrupt

7.3 CPU REGISTERS

The 6 CPU registers shown in Figure 10 are not present in the memory mapping and are accessed by specific instructions.

Accumulator (A)

The Accumulator is an 8-bit general purpose register used to hold operands and the results of the arithmetic and logic calculations and to manipulate data.

Index Registers (X and Y)

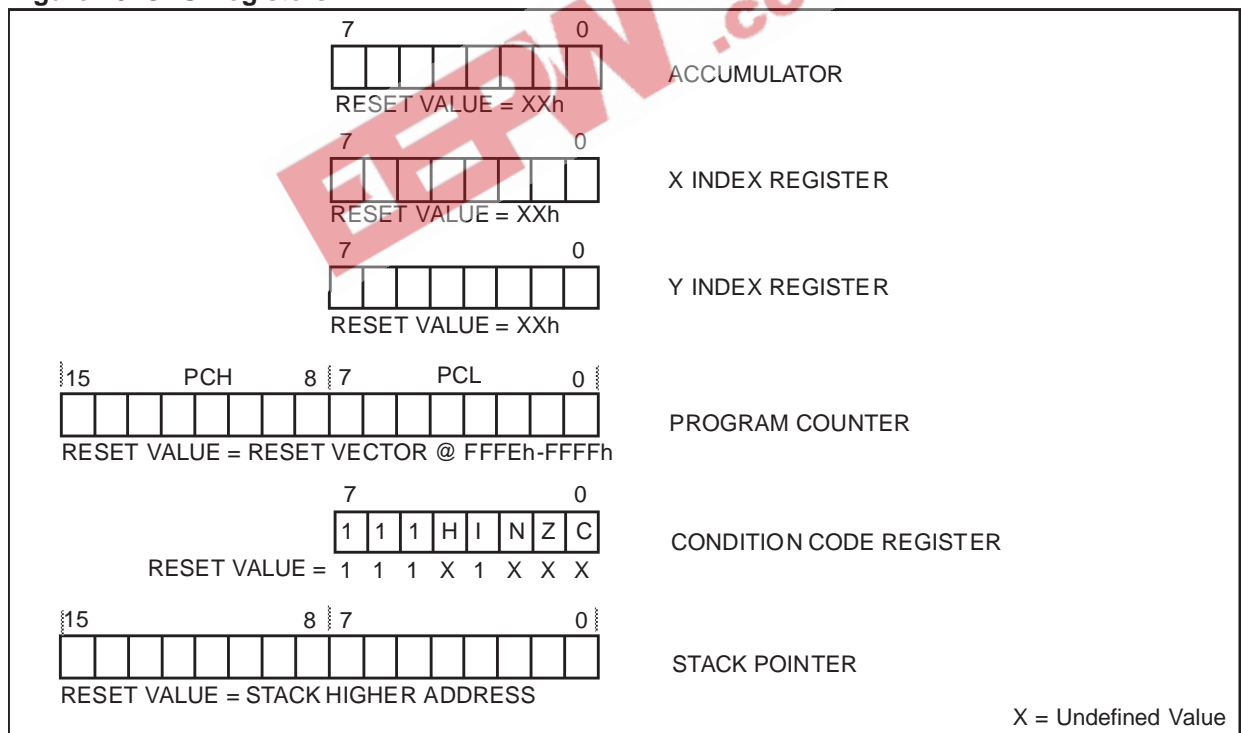
In indexed addressing modes, these 8-bit registers are used to create either effective addresses or temporary storage areas for data manipulation. (The Cross-Assembler generates a precede instruction (PRE) to indicate that the following instruction refers to the Y register.)

The Y register is not affected by the interrupt automatic procedures (not pushed to and popped from the stack).

Program Counter (PC)

The program counter is a 16-bit register containing the address of the next instruction to be executed by the CPU. It is made of two 8-bit registers PCL (Program Counter Low which is the LSB) and PCH (Program Counter High which is the MSB).

Figure 10. CPU Registers



CPU REGISTERS (Cont'd)

CONDITION CODE REGISTER (CC)

Read/Write

Reset Value: 111x1xxx



The 8-bit Condition Code register contains the interrupt mask and four flags representative of the result of the instruction just executed. This register can also be handled by the PUSH and POP instructions.

These bits can be individually tested and/or controlled by specific instructions.

Bit 4 = H Half carry.

This bit is set by hardware when a carry occurs between bits 3 and 4 of the ALU during an ADD or ADC instruction. It is reset by hardware during the same instructions.

- 0: No half carry has occurred.
- 1: A half carry has occurred.

This bit is tested using the JRH or JRNH instruction. The H bit is useful in BCD arithmetic subroutines.

Bit 3 = I Interrupt mask.

This bit is set by hardware when entering in interrupt or by software to disable all interrupts except the TRAP software interrupt. This bit is cleared by software.

- 0: Interrupts are enabled.
- 1: Interrupts are disabled.

This bit is controlled by the RIM, SIM and IRET instructions and is tested by the JRM and JRNM instructions.

Note: Interrupts requested while I is set are latched and can be processed when I is cleared. By default an interrupt routine is not interruptable because the I bit is set by hardware when you enter it and reset by the IRET instruction at the end of the interrupt routine. If the I bit is cleared by software in the interrupt routine, pending interrupts are serviced regardless of the priority level of the current interrupt routine.

Bit 2 = N Negative.

This bit is set and cleared by hardware. It is representative of the result sign of the last arithmetic, logical or data manipulation. It is a copy of the 7th bit of the result.

- 0: The result of the last operation is positive or null.
- 1: The result of the last operation is negative (i.e. the most significant bit is a logic 1).

This bit is accessed by the JRMI and JRPL instructions.

Bit 1 = Z Zero.

This bit is set and cleared by hardware. This bit indicates that the result of the last arithmetic, logical or data manipulation is zero.

- 0: The result of the last operation is different from zero.
- 1: The result of the last operation is zero.

This bit is accessed by the JREQ and JRNE test instructions.

Bit 0 = C Carry/borrow.

This bit is set and cleared by hardware and software. It indicates an overflow or an underflow has occurred during the last arithmetic operation.

- 0: No overflow or underflow has occurred.
- 1: An overflow or underflow has occurred.

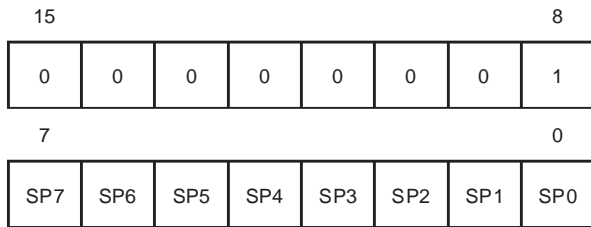
This bit is driven by the SCF and RCF instructions and tested by the JRC and JRNC instructions. It is also affected by the "bit test and branch", shift and rotate instructions.

CENTRAL PROCESSING UNIT (Cont'd)

Stack Pointer (SP)

Read/Write

Reset Value: 01 FFh



The Stack Pointer is a 16-bit register which is always pointing to the next free location in the stack. It is then decremented after data has been pushed onto the stack and incremented before data is popped from the stack (see Figure 11).

Since the stack is 256 bytes deep, the 8th most significant bits are forced by hardware. Following an MCU Reset, or after a Reset Stack Pointer instruction (RSP), the Stack Pointer contains its reset value (the SP7 to SP0 bits are set) which is the stack higher address.

The least significant byte of the Stack Pointer (called S) can be directly accessed by a LD instruction.

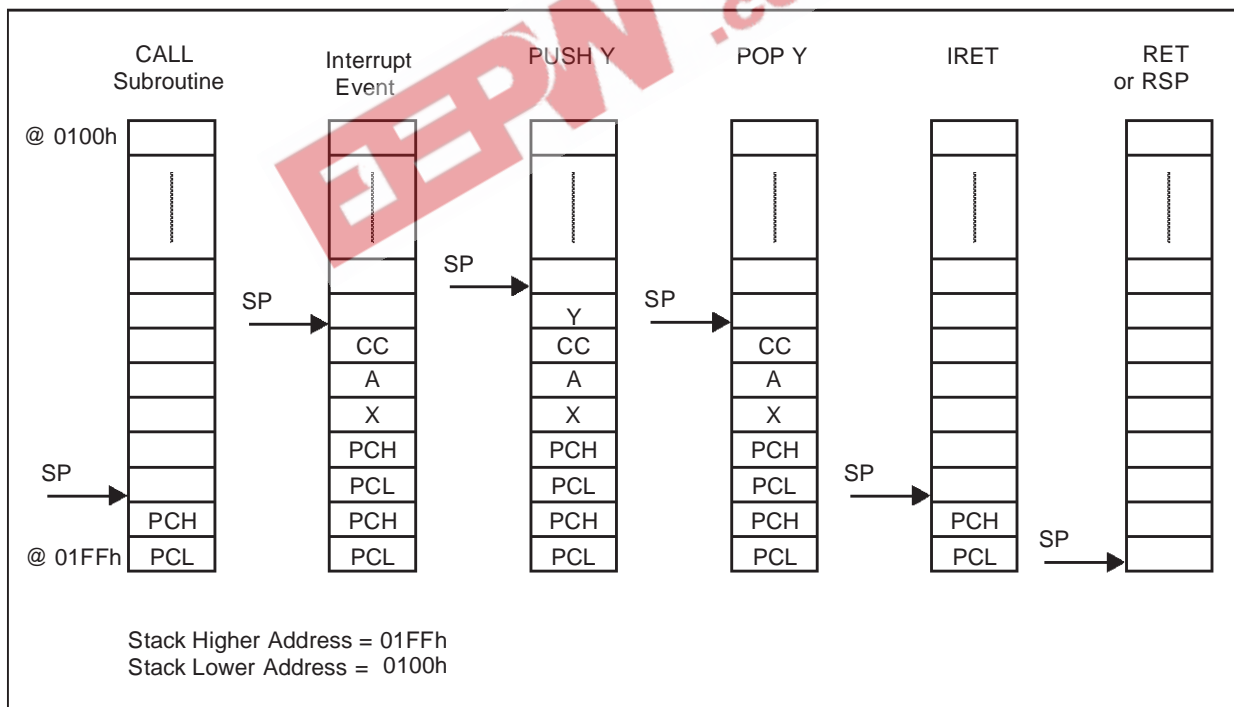
Note: When the lower limit is exceeded, the Stack Pointer wraps around to the stack upper limit, without indicating the stack overflow. The previously stored information is then overwritten and therefore lost. The stack also wraps in case of an underflow.

The stack is used to save the return address during a subroutine call and the CPU context during an interrupt. The user may also directly manipulate the stack by means of the PUSH and POP instructions. In the case of an interrupt, the PCL is stored at the first location pointed to by the SP. Then the other registers are stored in the next locations as shown in Figure 11.

- When an interrupt is received, the SP is decremented and the context is pushed on the stack.
- On return from interrupt, the SP is incremented and the context is popped from the stack.

A subroutine call occupies two locations and an interrupt five locations in the stack area.

Figure 11. Stack Manipulation Example



8 SUPPLY, RESET AND CLOCK MANAGEMENT

The ST72334J/N, ST72314J/N and ST72124J microcontrollers include a range of utility features for securing the application in critical situations (for example in case of a power brown-out), and reducing the number of external components. An overview is shown in Figure 12.

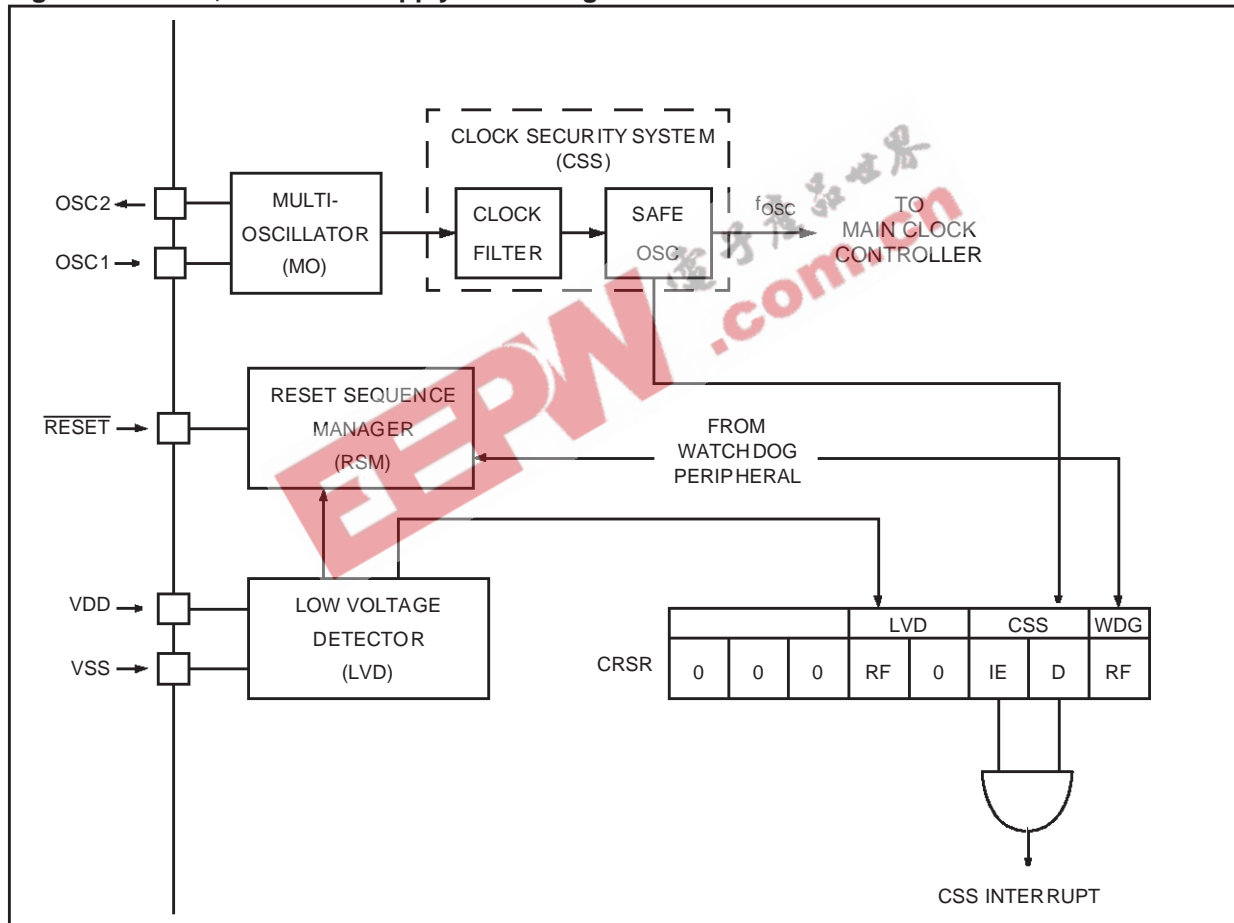
See Section 15 "ELECTRICAL CHARACTERISTICS" on page 105 for more details.

- Multi-Oscillator (MO)
 - 4 Crystal/Ceramic resonator oscillators
 - 1 External RC oscillator
 - 1 Internal RC oscillator
- Clock Security System (CSS)
 - Clock Filter
 - Backup Safe Oscillator

Main Features

- Supply Manager with main supply low voltage detection (LVD)
- Reset Sequence Manager (RSM)

Figure 12. Clock, Reset and Supply Block Diagram



8.1 LOW VOLTAGE DETECTOR (LVD)

To allow the integration of power management features in the application, the Low Voltage Detector function (LVD) generates a static reset when the V_{DD} supply voltage is below a V_{IT-} reference value. This means that it secures the power-up as well as the power-down keeping the ST7 in reset.

The V_{IT-} reference value for a voltage drop is lower than the V_{IT+} reference value for power-on in order to avoid a parasitic reset when the MCU starts running and sinks current on the supply (hysteresis).

The LVD Reset circuitry generates a reset when V_{DD} is below:

- V_{IT+} when V_{DD} is rising
- V_{IT-} when V_{DD} is falling

The LVD function is illustrated in the Figure 13.

Provided the minimum V_{DD} value (guaranteed for the oscillator frequency) is above V_{IT-} , the MCU can only be in two modes:

- under full software control
- in static safe reset

In these conditions, secure operation is always ensured for the application without the need for external reset hardware.

During a Low Voltage Detector Reset, the $\overline{\text{RESET}}$ pin is held low, thus permitting the MCU to reset other devices.

Notes:

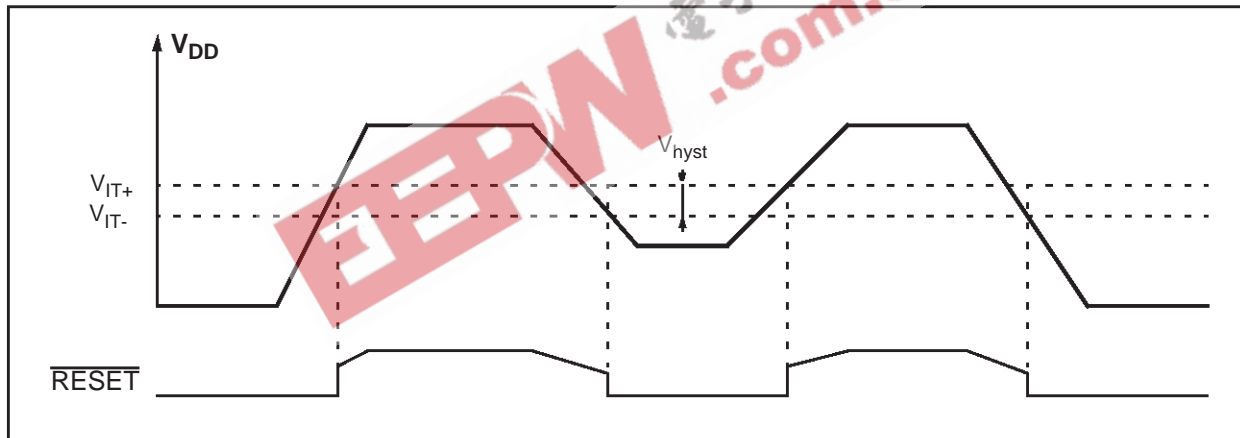
1. The LVD allows the device to be used without any external RESET circuitry.
2. Three different reference levels are selectable through the option byte according to the application requirement.

LVD application note

Application software can detect a reset caused by the LVD by reading the LVDRF bit in the CRSR register.

This bit is set by hardware when a LVD reset is generated and cleared by software (writing zero).

Figure 13. Low Voltage Detector vs Reset



8.2 RESET SEQUENCE MANAGER (RSM)

8.2.1 Introduction

The reset sequence manager includes three RESET sources as shown in Figure 15:

- External $\overline{\text{RESET}}$ source pulse
- Internal LVD RESET (Low Voltage Detection)
- Internal WATCHDOG RESET

These sources act on the $\overline{\text{RESET}}$ pin and it is always kept low during the delay phase.

The RESET service routine vector is fixed at addresses FFFEh-FFFFh in the ST7 memory map.

The basic RESET sequence consists of 3 phases as shown in Figure 14:

- Delay depending on the RESET source
- 4096 CPU clock cycle delay
- RESET vector fetch

The 4096 CPU clock cycle delay allows the oscillator to stabilise and ensures that recovery has taken place from the Reset state.

The RESET vector fetch phase duration is 2 clock cycles.

Figure 14. RESET Sequence Phases

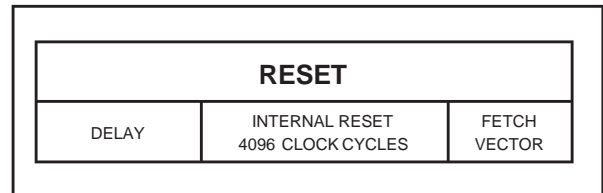
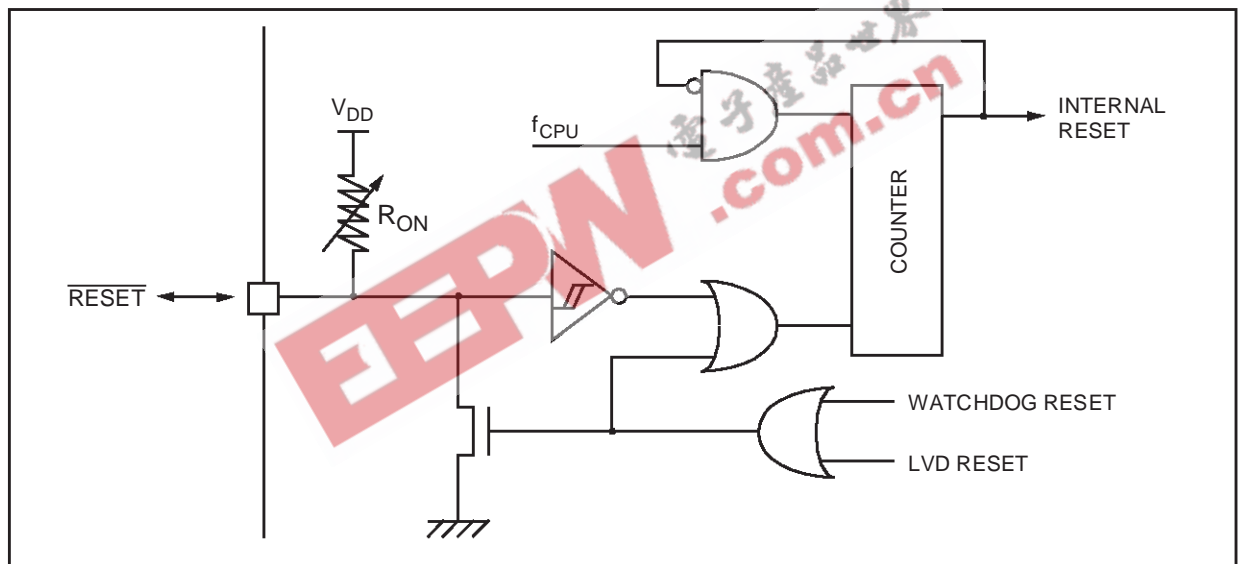


Figure 15. Reset Block Diagram



RESET SEQUENCE MANAGER (Cont'd)

8.2.2 Asynchronous External $\overline{\text{RESET}}$ pin

The $\overline{\text{RESET}}$ pin is both an input and an open-drain output with integrated R_{ON} weak pull-up resistor. This pull-up has no fixed value but varies in accordance with the input voltage. It can be pulled low by external circuitry to reset the device. See electrical characteristics section for more details.

A RESET signal originating from an external source must have a duration of at least $t_{\text{h(RSTL)in}}$ in order to be recognized. This detection is asynchronous and therefore the MCU can enter reset state even in HALT mode.

The $\overline{\text{RESET}}$ pin is an asynchronous signal which plays a major role in EMS performance. In a noisy environment, it is recommended to follow the guidelines mentioned in the electrical characteristics section.

Two RESET sequences can be associated with this RESET source: short or long external reset pulse (see Figure 16).

Starting from the external RESET pulse recognition, the device $\overline{\text{RESET}}$ pin acts as an output that is pulled low during at least $t_{\text{w(RSTL)out}}$.

8.2.3 Internal Low Voltage Detection RESET

Two different RESET sequences caused by the internal LVD circuitry can be distinguished:

- Power-On RESET
- Voltage Drop RESET

The device $\overline{\text{RESET}}$ pin acts as an output that is pulled low when $V_{\text{DD}} < V_{\text{IT+}}$ (rising edge) or $V_{\text{DD}} < V_{\text{IT-}}$ (falling edge) as shown in Figure 16.

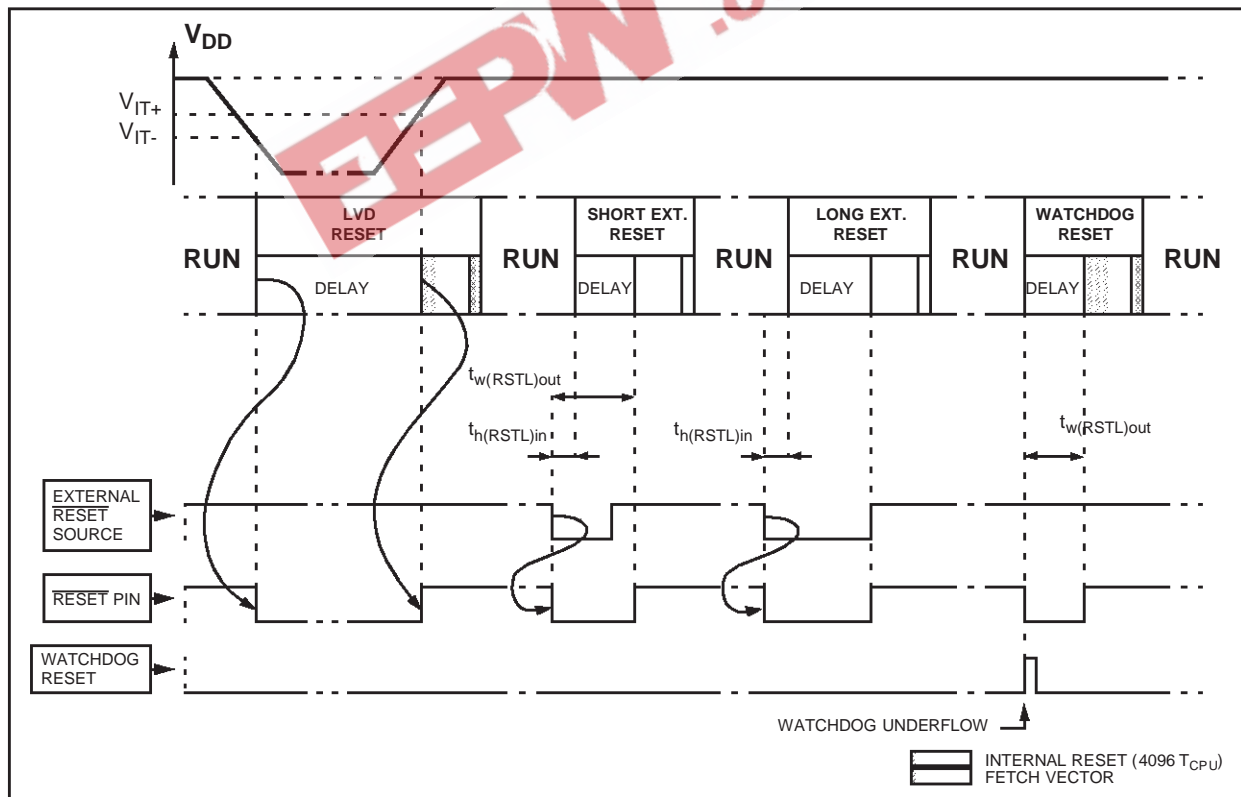
The LVD filters spikes on V_{DD} larger than $t_{\text{g(VDD)}}$ to avoid parasitic resets.

8.2.4 Internal Watchdog RESET

The RESET sequence generated by a internal Watchdog counter overflow is shown in Figure 16.

Starting from the Watchdog counter underflow, the device $\overline{\text{RESET}}$ pin acts as an output that is pulled low during at least $t_{\text{w(RSTL)out}}$.

Figure 16. RESET Sequences



8.3 MULTI-OSCILLATOR (MO)

The main clock of the ST7 can be generated by four different source types coming from the multi-oscillator block:

- an external source
- 4 crystal or ceramic resonator oscillators
- an external RC oscillator
- an internal high frequency RC oscillator

Each oscillator is optimized for a given frequency range in terms of consumption and is selectable through the option byte. The associated hardware configuration are shown in Table 4. Refer to the electrical characteristics section for more details.

External Clock Source

In this external clock mode, a clock signal (square, sinus or triangle) with ~50% duty cycle has to drive the OSC1 pin while the OSC2 pin is tied to ground.

Crystal/Ceramic Oscillators

This family of oscillators has the advantage of producing a very accurate rate on the main clock of the ST7. The selection within a list of 4 oscillators with different frequency ranges has to be done by option byte in order to reduce consumption. In this mode of the multi-oscillator, the resonator and the load capacitors have to be placed as close as possible to the oscillator pins in order to minimize output distortion and start-up stabilization time. The loading capacitance values must be adjusted according to the selected oscillator.

These oscillators are not stopped during the RESET phase to avoid losing time in the oscillator start-up phase.

External RC Oscillator

This oscillator allows a low cost solution for the main clock of the ST7 using only an external resistor and an external capacitor. The frequency of the external RC oscillator (in the range of some MHz.) is fixed by the resistor and the capacitor values. Consequently in this MO mode, the accuracy of the clock is directly linked to the accuracy of the discrete components.

Internal RC Oscillator

The internal RC oscillator mode is based on the same principle as the external RC oscillator including the resistance and the capacitance of the device. This mode is the most cost effective one with the drawback of a lower frequency accuracy. Its frequency is in the range of several MHz.

In this mode, the two oscillator pins have to be tied to ground.

Table 4. ST7 Clock Sources

| Hardware Configuration | |
|----------------------------|--|
| External Clock | |
| Crystal/Ceramic Resonators | |
| External RC Oscillator | |
| Internal RC Oscillator | |

8.4 CLOCK SECURITY SYSTEM (CSS)

The Clock Security System (CSS) protects the ST7 against main clock problems. To allow the integration of the security features in the applications, it is based on a clock filter control and an Internal safe oscillator. The CSS can be enabled or disabled by option byte.

8.4.1 Clock Filter Control

The clock filter is based on a clock frequency limitation function.

This filter function is able to detect and filter high frequency spikes on the ST7 main clock.

If the oscillator is not working properly (e.g. working at a harmonic frequency of the resonator), the current active oscillator clock can be totally filtered, and then no clock signal is available for the ST7 from this oscillator anymore. If the original clock source recovers, the filtering is stopped automatically and the oscillator supplies the ST7 clock.

8.4.2 Safe Oscillator Control

The safe oscillator of the CSS block is a low frequency back-up clock source (see Figure 17).

If the clock signal disappears (due to a broken or disconnected resonator...) during a safe oscillator period, the safe oscillator delivers a low frequency clock signal which allows the ST7 to perform some rescue operations.

Automatically, the ST7 clock source switches back from the safe oscillator if the original clock source recovers.

Limitation detection

The automatic safe oscillator selection is notified by hardware setting the CSSD bit of the CRSR register. An interrupt can be generated if the CSSIE bit has been previously set.

These two bits are described in the CRSR register description.

8.4.3 Low Power Modes

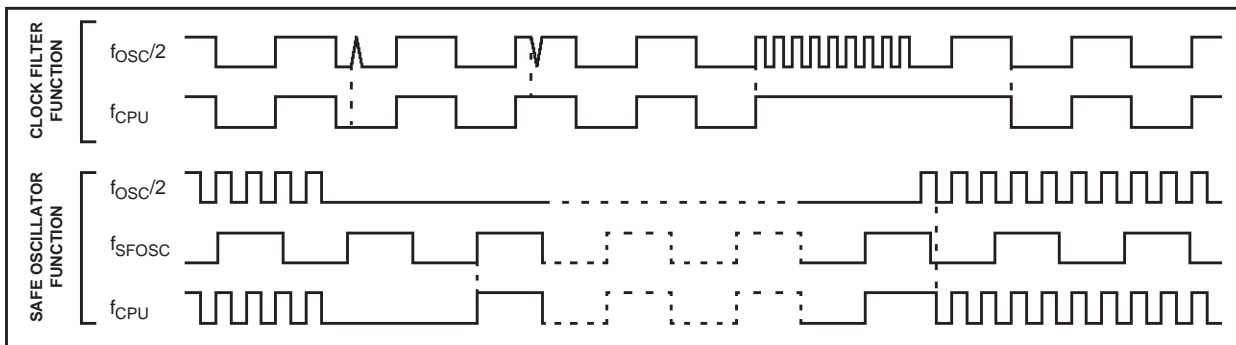
| Mode | Description |
|------|--|
| WAIT | No effect on CSS. CSS interrupt cause the device to exit from Wait mode. |
| HALT | The CRSR register is frozen. The CSS (including the safe oscillator) is disabled until HALT mode is exited. The previous CSS configuration resumes when the MCU is woken up by an interrupt with "exit from HALT mode" capability or from the counter reset value when the MCU is woken up by a RESET. |

8.4.4 Interrupts

The CSS interrupt event generates an interrupt if the corresponding Enable Control Bit (CSSIE) is set and the interrupt mask in the CC register is reset (RIM instruction).

| Interrupt Event | Event Flag | Enable Control Bit | Exit from Wait | Exit from Halt |
|---|------------|--------------------|----------------|----------------|
| CSS event detection (safe oscillator activated as main clock) | CSSD | CSSIE | Yes | No |

Figure 17. Clock Filter Function and Safe Oscillator Function



8.5 SUPPLY, RESET AND CLOCK REGISTER DESCRIPTION

Read/Write

Reset Value: 000x 000x (xxh)

| | | | | | | | |
|---|---|---|-----------|---|-----------|----------|-----------|
| 7 | | | | | | | 0 |
| 0 | 0 | 0 | LVD RF | 0 | CSS IE | CSS D | WDG RF |

Bit 7:5 = **Reserved**, always read as 0.

Bit 4 = **LVDRF** *LVD reset flag*

This bit indicates that the last RESET was generated by the LVD block. It is set by hardware (LVD reset) and cleared by software (writing zero). See WDGRF flag description for more details. When the LVD is disabled by option byte, the LVDRF bit value is undefined.

Bit 3 = **Reserved**, always read as 0.

Bit 2 = **CSSIE** *Clock security syst interrupt enable*

This bit enables the interrupt when a disturbance is detected by the clock security system (CSSD bit set). It is set and cleared by software.
 0: Clock security system interrupt disabled
 1: Clock security system interrupt enabled
 Refer to Table 6, "Interrupt Mapping," on page 32 for more details on the CSS interrupt vector. When the CSS is disabled by option byte, the CSSIE bit has no effect.

Bit 1 = **CSSD** *Clock security system detection*

This bit indicates that the safe oscillator of the clock security system block has been selected by hardware due to a disturbance on the main clock signal (f_{OSC}). It is set by hardware and cleared by reading the CRSR register when the original oscillator recovers.

0: Safe oscillator is not active

1: Safe oscillator has been activated

When the CSS is disabled by option byte, the CSSD bit value is forced to 0.

Bit 0 = **WDGRF** *Watchdog reset flag*

This bit indicates that the last RESET was generated by the watchdog peripheral. It is set by hardware (Watchdog RESET) and cleared by software (writing zero) or an LVD RESET (to ensure a stable cleared state of the WDGRF flag when the CPU starts).

Combined with the LVDRF flag information, the flag description is given by the following table.

| RESET Sources | LVDRF | WDGRF |
|--------------------|-------|-------|
| External RESET pin | 0 | 0 |
| Watchdog | 0 | 1 |
| LVD | 1 | X |

Application notes

The LVDRF flag is not cleared when another RESET type occurs (external or watchdog), the LVDRF flag remains set to keep trace of the original failure.

In this case, a watchdog reset can be detected by software while an external reset can not.

Table 5. Clock, Reset and Supply Register Map and Reset Values

| Address (Hex.) | Register Label | 7 | 6 | 5 | 4 | 3 | 2 | 1 | 0 |
|----------------|---------------------|---|---|---|------------|---|-----------|-----------|------------|
| 002Bh | CRSR Reset Value | 0 | 0 | 0 | LVDRF x | 0 | CFIE 0 | CSSD 0 | WDGRF x |

9 INTERRUPTS

The ST7 core may be interrupted by one of two different methods: maskable hardware interrupts as listed in the Interrupt Mapping Table and a non-maskable software interrupt (TRAP). The Interrupt processing flowchart is shown in Figure 18.

The maskable interrupts must be enabled clearing the I bit in order to be serviced. However, disabled interrupts may be latched and processed when they are enabled (see external interrupts subsection).

When an interrupt has to be serviced:

- Normal processing is suspended at the end of the current instruction execution.
- The PC, X, A and CC registers are saved onto the stack.
- The I bit of the CC register is set to prevent additional interrupts.
- The PC is then loaded with the interrupt vector of the interrupt to service and the first instruction of the interrupt service routine is fetched (refer to the Interrupt Mapping Table for vector addresses).

The interrupt service routine should finish with the IRET instruction which causes the contents of the saved registers to be recovered from the stack.

Note: As a consequence of the IRET instruction, the I bit will be cleared and the main program will resume.

Priority management

By default, a servicing interrupt cannot be interrupted because the I bit is set by hardware entering in interrupt routine.

In the case when several interrupts are simultaneously pending, an hardware priority defines which one will be serviced first (see the Interrupt Mapping Table).

Interrupts and Low power mode

All interrupts allow the processor to leave the WAIT low power mode. Only external and specifically mentioned interrupts allow the processor to leave the HALT low power mode (refer to the "Exit from HALT" column in the Interrupt Mapping Table).

9.1 NON MASKABLE SOFTWARE INTERRUPT

This interrupt is entered when the TRAP instruction is executed regardless of the state of the I bit.

It will be serviced according to the flowchart on Figure 18.

9.2 EXTERNAL INTERRUPTS

External interrupt vectors can be loaded into the PC register if the corresponding external interrupt occurred and if the I bit is cleared. These interrupts allow the processor to leave the Halt low power mode.

The external interrupt polarity is selected through the miscellaneous register or interrupt register (if available).

An external interrupt triggered on edge will be latched and the interrupt request automatically cleared upon entering the interrupt service routine.

If several input pins, connected to the same interrupt vector, are configured as interrupts, their signals are logically ANDed before entering the edge/level detection block.

Caution: The type of sensitivity defined in the Miscellaneous or Interrupt register (if available) applies to the ei source. In case of an ANDed source (as described on the I/O ports section), a low level on an I/O pin configured as input with interrupt, masks the interrupt request even in case of rising-edge sensitivity.

9.3 PERIPHERAL INTERRUPTS

Different peripheral interrupt flags in the status register are able to cause an interrupt when they are active if both:

- The I bit of the CC register is cleared.
- The corresponding enable bit is set in the control register.

If any of these two conditions is false, the interrupt is latched and thus remains pending.

Clearing an interrupt request is done by:

- Writing "0" to the corresponding bit in the status register or
- Access to the status register while the flag is set followed by a read or write of an associated register.

Note: the clearing sequence resets the internal latch. A pending interrupt (i.e. waiting for being enabled) will therefore be lost if the clear sequence is executed.

INTERRUPTS (Cont'd)

Figure 18. Interrupt Processing Flowchart

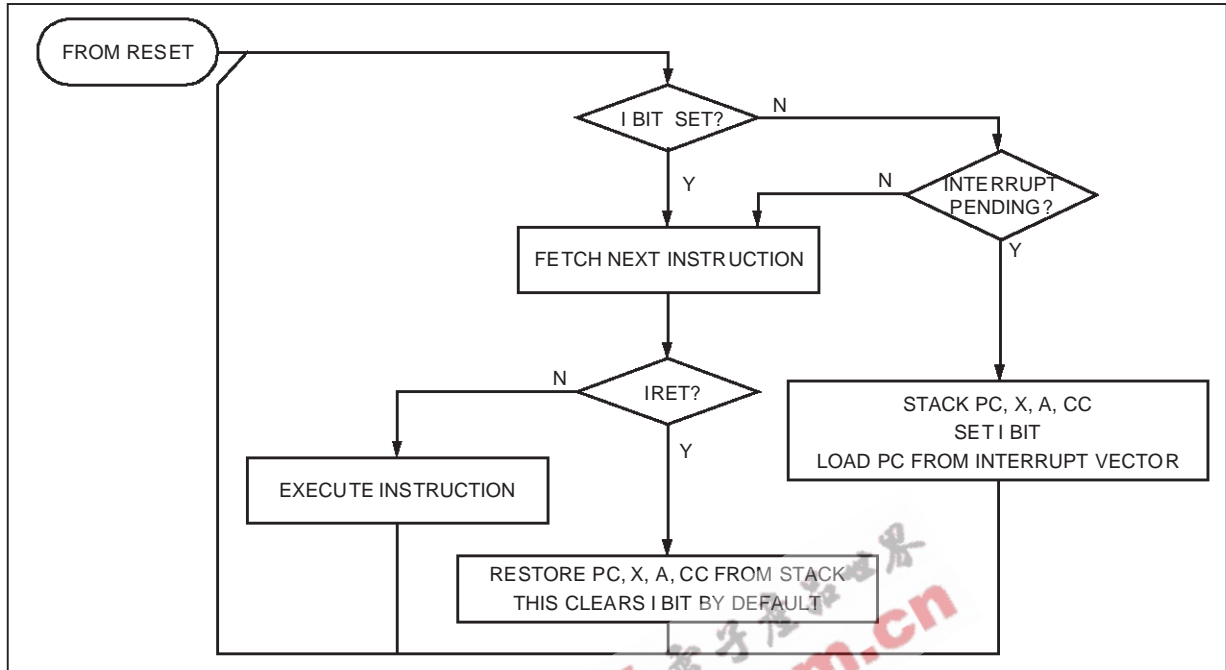


Table 6. Interrupt Mapping

| N° | Source Block | Description | Register Label | Priority Order | Exit from HALT | Address Vector |
|----|--------------|--|----------------|----------------------|----------------|----------------|
| | RESET | Reset | N/A | Highest Priority | yes | FFFEh-FFFFh |
| | TRAP | Software Interrupt | | | no | FFFCh-FFFDh |
| 0 | | Not used | | | | FFFAh-FFFBh |
| 1 | MCC/RTC CSS | Main Clock Controller Time Base Interrupt or Clock Security System Interrupt | MCCSR CRSR | ↓ Lowest Priority | yes | FFF8h-FFF9h |
| 2 | ei0 | External Interrupt Port A3..0 | N/A | | no | FFF6h-FFF7h |
| 3 | ei1 | External Interrupt Port F2..0 | | | FFF4h-FFF5h | |
| 4 | ei2 | External Interrupt Port B3..0 | | | FFF2h-FFF3h | |
| 5 | ei3 | External Interrupt Port B7..4 | | | FFF0h-FFF1h | |
| 6 | | Not used | | | | FFEEh-FFE Fh |
| 7 | SPI | SPI Peripheral Interrupts | SPI SR | | no | FFEC h-FFED h |
| 8 | TIMER A | TIMER A Peripheral Interrupts | TASR | | FFEA h-FFEB h | |
| 9 | TIMER B | TIMER B Peripheral Interrupts | TBSR | | FFE8 h-FFE9 h | |
| 10 | SCI | SCI Peripheral Interrupts | SCISR | | FFE6 h-FFE7 h | |
| 11 | Data-EEPROM | Data EEPROM Interrupt | EECSR | | FFE4 h-FFE5 h | |
| 12 | | Not used | | | | FFE2 h-FFE3 h |
| 13 | | | | | | FFE0 h-FFE1 h |

10 POWER SAVING MODES

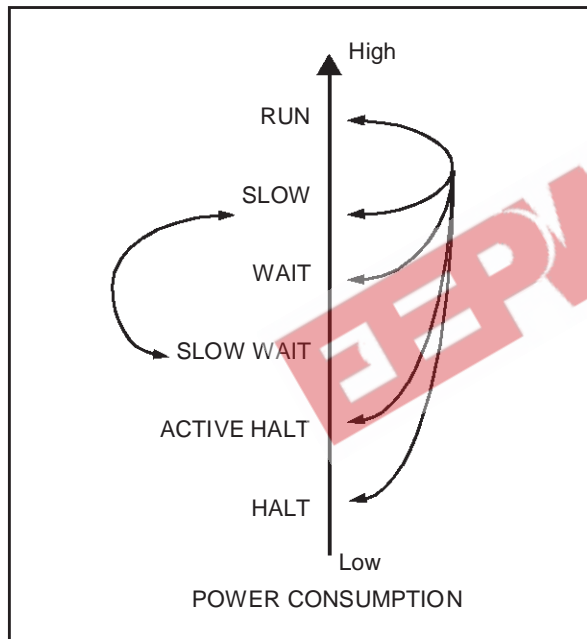
10.1 INTRODUCTION

To give a large measure of flexibility to the application in terms of power consumption, four main power saving modes are implemented in the ST7 (see Figure 19): SLOW, WAIT (SLOW WAIT), ACTIVE HALT and HALT.

After a RESET the normal operating mode is selected by default (RUN mode). This mode drives the device (CPU and embedded peripherals) by means of a master clock which is based on the main oscillator frequency divided by 2 (f_{CPU}).

From RUN mode, the different power saving modes may be selected by setting the relevant register bits or by calling the specific ST7 software instruction whose action depends on the the oscillator status.

Figure 19. Power Saving Mode Transitions



10.2 SLOW MODE

This mode has two targets:

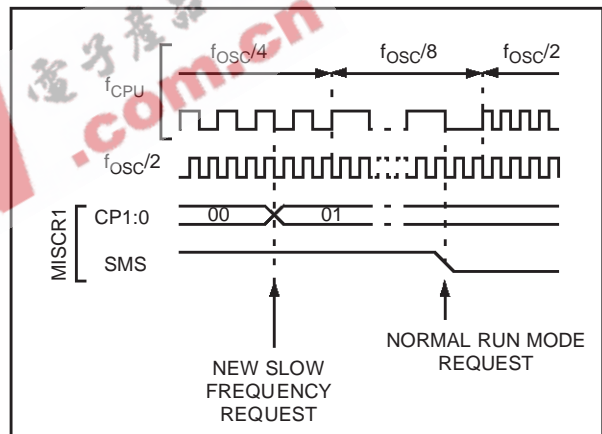
- To reduce power consumption by decreasing the internal clock in the device,
- To adapt the internal clock frequency (f_{CPU}) to the available supply voltage.

SLOW mode is controlled by three bits in the MISCR1 register: the SMS bit which enables or disables Slow mode and two CPx bits which select the internal slow frequency (f_{CPU}).

In this mode, the oscillator frequency can be divided by 4, 8, 16 or 32 instead of 2 in normal operating mode. The CPU and peripherals are clocked at this lower frequency.

Note: SLOW-WAIT mode is activated when entering the WAIT mode while the device is already in SLOW mode.

Figure 20. SLOW Mode Clock Transitions



POWER SAVING MODES (Cont'd)

10.3 WAIT MODE

WAIT mode places the MCU in a low power consumption mode by stopping the CPU.

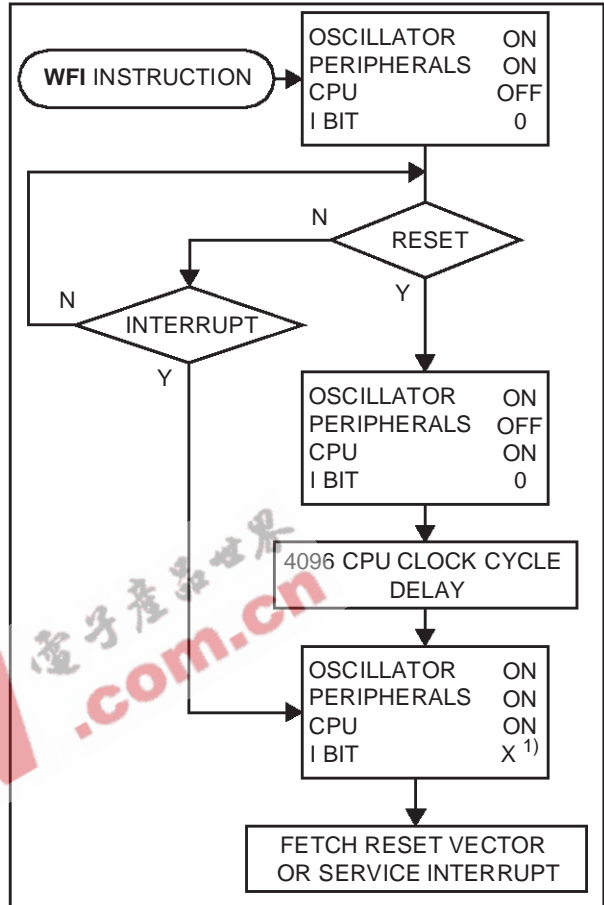
This power saving mode is selected by calling the 'WFI' instruction.

All peripherals remain active. During WAIT mode, the I bit of the CC register is cleared, to enable all interrupts. All other registers and memory remain unchanged. The MCU remains in WAIT mode until an interrupt or RESET occurs, whereupon the Program Counter branches to the starting address of the interrupt or Reset service routine.

The MCU will remain in WAIT mode until a Reset or an Interrupt occurs, causing it to wake up.

Refer to Figure 21.

Figure 21. WAIT Mode Flow-chart



Note:

1. Before servicing an interrupt, the CC register is pushed on the stack. The I bit of the CC register is set during the interrupt routine and cleared when the CC register is popped.

POWER SAVING MODES (Cont'd)

10.4 ACTIVE-HALT AND HALT MODES

ACTIVE-HALT and HALT modes are the two lowest power consumption modes of the MCU. They are both entered by executing the 'HALT' instruction. The decision to enter either in ACTIVE-HALT or HALT mode is given by the MCC/RTC interrupt enable flag (OIE bit in MCCR register).

| MCCR OIE bit | Power Saving Mode entered when HALT instruction is executed |
|--------------|---|
| 0 | HALT mode |
| 1 | ACTIVE-HALT mode |

10.4.1 ACTIVE-HALT MODE

ACTIVE-HALT mode is the lowest power consumption mode of the MCU with a real time clock available. It is entered by executing the 'HALT' instruction when the OIE bit of the Main Clock Controller Status register (MCCR) is set (see Section 13.2 "MAIN CLOCK CONTROLLER WITH REAL TIME CLOCK TIMER (MCC/RTC)" on page 50 for more details on the MCCR register).

The MCU can exit ACTIVE-HALT mode on reception of either an MCC/RTC interrupt, a specific interrupt (see Table 6, "Interrupt Mapping," on page 32) or a RESET. When exiting ACTIVE-HALT mode by means of a RESET or an interrupt, a 4096 CPU cycle delay occurs. After the start up delay, the CPU resumes operation by servicing the interrupt or by fetching the reset vector which woke it up (see Figure 23).

When entering ACTIVE-HALT mode, the I bit in the CC register is cleared to enable interrupts. Therefore, if an interrupt is pending, the MCU wakes up immediately.

In ACTIVE-HALT mode, only the main oscillator and its associated counter (MCC/RTC) are running to keep a wake-up time base. All other peripherals are not clocked except those which get their clock supply from another clock generator (such as external or auxiliary oscillator).

The safeguard against staying locked in ACTIVE-HALT mode is provided by the oscillator interrupt.

Note: As soon as the interrupt capability of one of the oscillators is selected (MCCR.OIE bit set), entering ACTIVE-HALT mode while the Watchdog is active does not generate a RESET.

This means that the device cannot spend more than a defined delay in this power saving mode.

Figure 22. ACTIVE-HALT Timing Overview

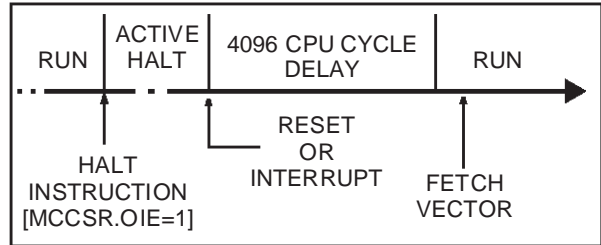
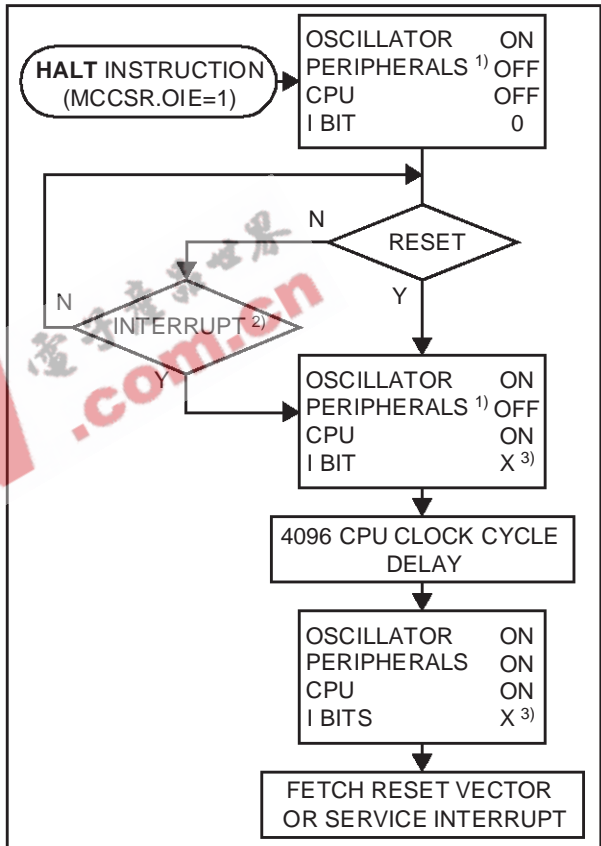


Figure 23. ACTIVE-HALT Mode Flow-chart



Notes:

1. Peripheral clocked with an external clock source can still be active.
2. Only the MCC/RTC interrupt and some specific interrupts can exit the MCU from ACTIVE-HALT mode (such as external interrupt). Refer to Table 6, "Interrupt Mapping," on page 32 for more details.
3. Before servicing an interrupt, the CC register is pushed on the stack. The I bit of the CC register is set during the interrupt routine and cleared when the CC register is popped.

POWER SAVING MODES (Cont'd)

10.4.2 HALT MODE

The HALT mode is the lowest power consumption mode of the MCU. It is entered by executing the 'HALT' instruction when the OIE bit of the Main Clock Controller Status register (MCCSR) is cleared (see Section 13.2 "MAIN CLOCK CONTROLLER WITH REAL TIME CLOCK TIMER (MCC/RTC)" on page 50 for more details on the MCCSR register).

The MCU can exit HALT mode on reception of either a specific interrupt (see Table 6, "Interrupt Mapping," on page 32) or a RESET. When exiting HALT mode by means of a RESET or an interrupt, the oscillator is immediately turned on and the 4096 CPU cycle delay is used to stabilize the oscillator. After the start up delay, the CPU resumes operation by servicing the interrupt or by fetching the reset vector which woke it up (see Figure 25). When entering HALT mode, the I bit in the CC register is forced to 0 to enable interrupts. Therefore, if an interrupt is pending, the MCU wakes immediately.

In HALT mode, the main oscillator is turned off causing all internal processing to be stopped, including the operation of the on-chip peripherals. All peripherals are not clocked except the ones which get their clock supply from another clock generator (such as an external or auxiliary oscillator).

The compatibility of Watchdog operation with HALT mode is configured by the "WDGHALT" option bit of the option byte. The HALT instruction when executed while the Watchdog system is enabled, can generate a Watchdog RESET (see Section 17.1 on page 143 for more details).

Figure 24. HALT Timing Overview

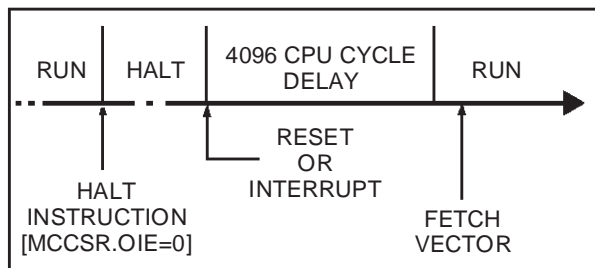
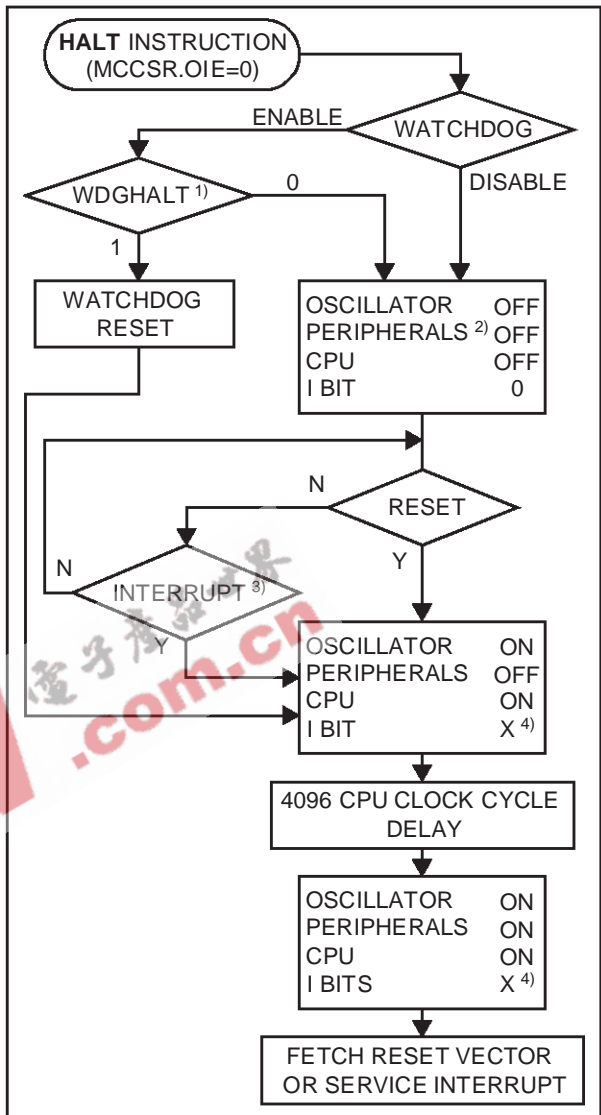


Figure 25. HALT Mode Flow-chart



Notes:

- 1. WDGHALT is an option bit. See option byte section for more details.
- 2. Peripheral clocked with an external clock source can still be active.
- 3. Only some specific interrupts can exit the MCU from HALT mode (such as external interrupt). Refer to Table 6, "Interrupt Mapping," on page 32 for more details.
- 4. Before servicing an interrupt, the CC register is pushed on the stack. The I bit of the CC register is set during the interrupt routine and cleared when the CC register is popped.

11 I/O PORTS

11.1 INTRODUCTION

The I/O ports offer different functional modes:

- transfer of data through digital inputs and outputs and for specific pins:
- external interrupt generation
- alternate signal input/output for the on-chip peripherals.

An I/O port contains up to 8 pins. Each pin can be programmed independently as digital input (with or without interrupt generation) or digital output.

11.2 FUNCTIONAL DESCRIPTION

Each port has 2 main registers:

- Data Register (DR)
- Data Direction Register (DDR)

and one optional register:

- Option Register (OR)

Each I/O pin may be programmed using the corresponding register bits in the DDR and OR registers: bit X corresponding to pin X of the port. The same correspondence is used for the DR register.

The following description takes into account the OR register, (for specific ports which do not provide this register refer to the I/O Port Implementation section). The generic I/O block diagram is shown in Figure 26

11.2.1 Input Modes

The input configuration is selected by clearing the corresponding DDR register bit.

In this case, reading the DR register returns the digital value applied to the external I/O pin.

Different input modes can be selected by software through the OR register.

Notes:

1. Writing the DR register modifies the latch value but does not affect the pin status.
2. When switching from input to output mode, the DR register has to be written first to drive the correct level on the pin as soon as the port is configured as an output.

External interrupt function

When an I/O is configured as Input with Interrupt, an event on this I/O can generate an external interrupt request to the CPU.

Each pin can independently generate an interrupt request. The interrupt sensitivity is independently

programmable using the sensitivity bits in the Miscellaneous register.

Each external interrupt vector is linked to a dedicated group of I/O port pins (see pinout description and interrupt section). If several input pins are selected simultaneously as interrupt source, these are logically ANDed. For this reason if one of the interrupt pins is tied low, it masks the other ones.

In case of a floating input with interrupt configuration, special care must be taken when changing the configuration (see Figure 27).

The external interrupts are hardware interrupts, which means that the request latch (not accessible directly by the application) is automatically cleared when the corresponding interrupt vector is fetched. To clear an unwanted pending interrupt by software, the sensitivity bits in the Miscellaneous register must be modified.

11.2.2 Output Modes

The output configuration is selected by setting the corresponding DDR register bit. In this case, writing the DR register applies this digital value to the I/O pin through the latch. Then reading the DR register returns the previously stored value.

Two different output modes can be selected by software through the OR register: Output push-pull and open-drain.

DR register value and output pin status:

| DR | Push-pull | Open-drain |
|----|-----------------|-----------------|
| 0 | V _{SS} | V _{SS} |
| 1 | V _{DD} | Floating |

11.2.3 Alternate Functions

When an on-chip peripheral is configured to use a pin, the alternate function is automatically selected. This alternate function takes priority over the standard I/O programming.

When the signal is coming from an on-chip peripheral, the I/O pin is automatically configured in output mode (push-pull or open drain according to the peripheral).

When the signal is going to an on-chip peripheral, the I/O pin must be configured in input mode. In this case, the pin state is also digitally readable by addressing the DR register.

Note: Input pull-up configuration can cause unexpected value at the input of the alternate peripheral input. When an on-chip peripheral use a pin as input and output, this pin has to be configured in input floating mode.

I/O PORTS (Cont'd)

Figure 26. I/O Port General Block Diagram

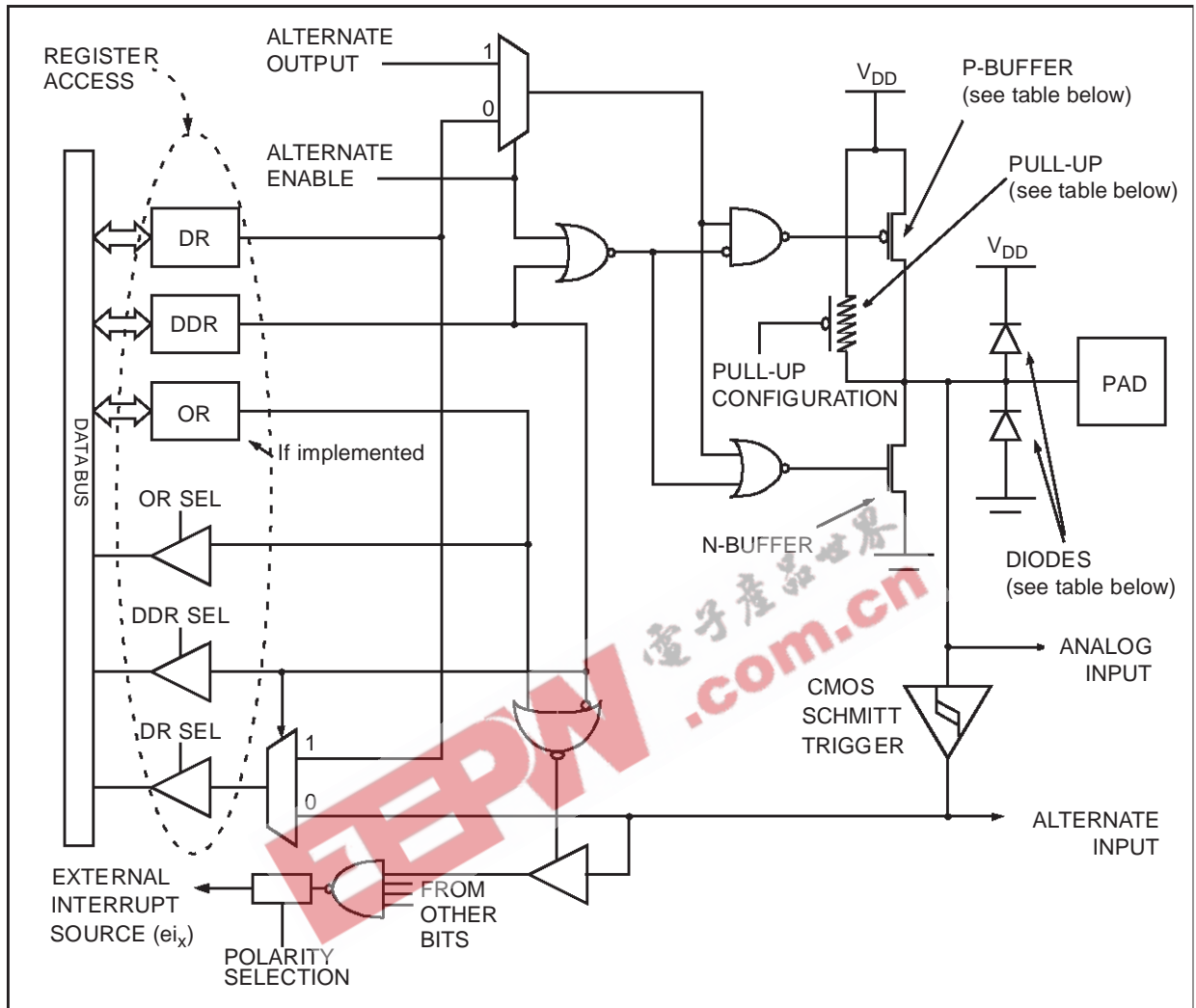


Table 7. I/O Port Mode Options

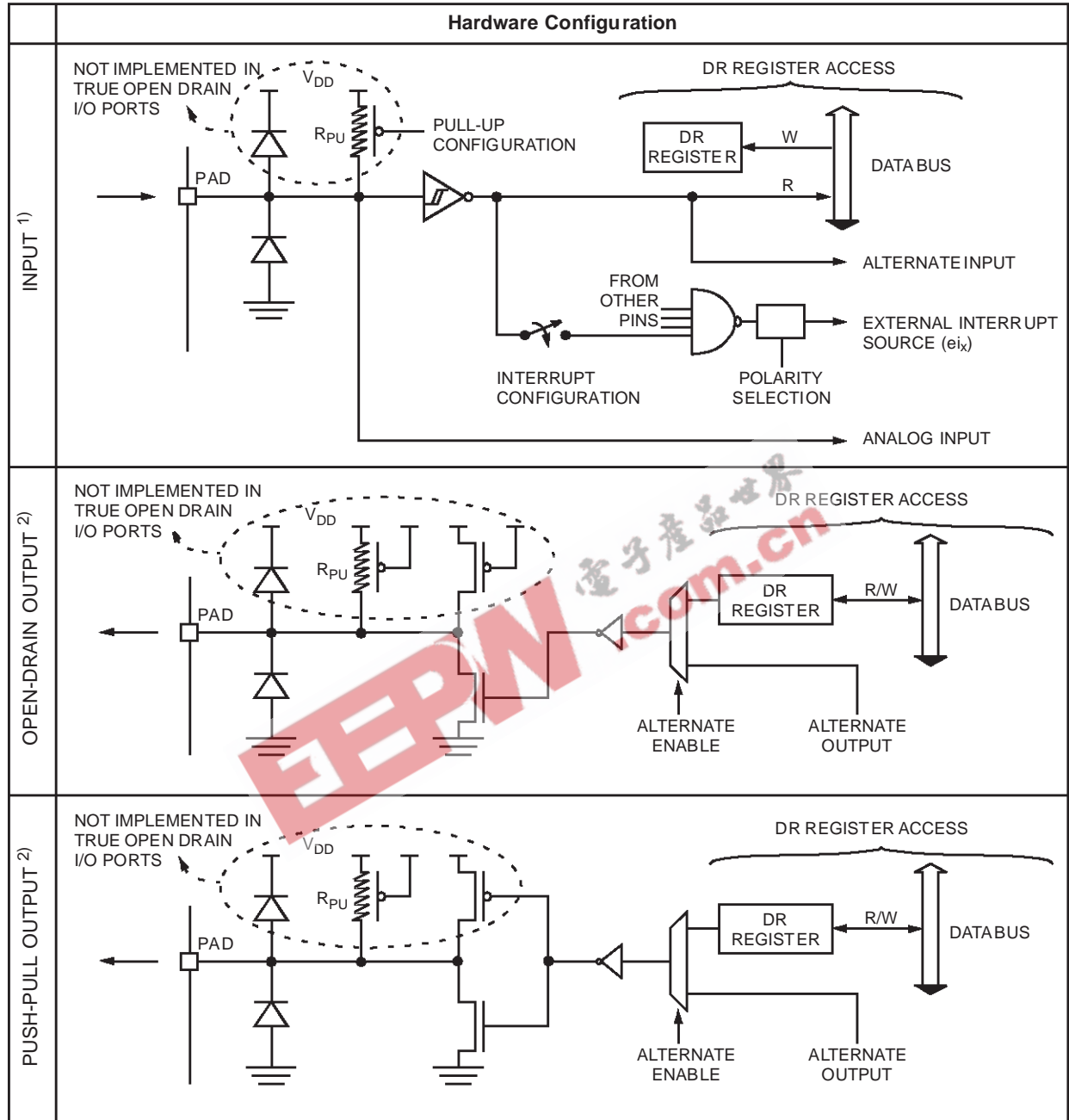
| Configuration Mode | | Pull-Up | P-Buffer | Diodes | |
|--------------------|---------------------------------|---------|----------|--------------------|--------------------|
| | | | | to V _{DD} | to V _{SS} |
| Input | Floating with/without Interrupt | Off | Off | On | On |
| | Pull-up with/without Interrupt | On | Off | | |
| Output | Push-pull | Off | On | NI (see note) | On |
| | Open Drain (logic level) | | Off | | |
| | True Open Drain | NI | NI | | |

Legend: NI - not implemented
 Off - implemented not activated
 On - implemented and activated

Note: The diode to V_{DD} is not implemented in the true open drain pads. A local protection between the pad and V_{SS} is implemented to protect the device against positive stress.

I/O PORTS (Cont'd)

Table 8. I/O Port Configurations



Notes:

1. When the I/O port is in input configuration and the associated alternate function is enabled as an output, reading the DR register will read the alternate function output status.
2. When the I/O port is in output configuration and the associated alternate function is enabled as an input, the alternate function reads the pin status given by the DR register content.

I/O PORTS (Cont'd)

CAUTION: The alternate function must not be activated as long as the pin is configured as input with interrupt, in order to avoid generating spurious interrupts.

Analog alternate function

When the pin is used as an ADC input, the I/O must be configured as floating input. The analog multiplexer (controlled by the ADC registers) switches the analog voltage present on the selected pin to the common analog rail which is connected to the ADC input.

It is recommended not to change the voltage level or loading on any port pin while conversion is in progress. Furthermore it is recommended not to have clocking pins located close to a selected analog pin.

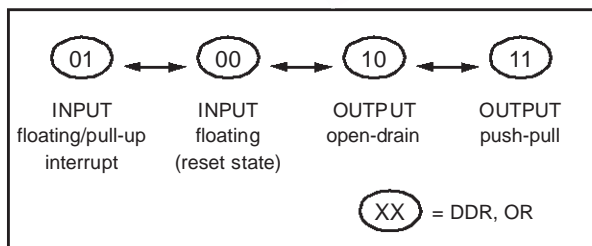
WARNING: The analog input voltage level must be within the limits stated in the absolute maximum ratings.

11.3 I/O PORT IMPLEMENTATION

The hardware implementation on each I/O port depends on the settings in the DDR and OR registers and specific feature of the I/O port such as ADC Input or true open drain.

Switching these I/O ports from one state to another should be done in a sequence that prevents unwanted side effects. Recommended safe transitions are illustrated in Figure 27. Other transitions are potentially risky and should be avoided, since they are likely to present unwanted side-effects such as spurious interrupt generation.

Figure 27. Interrupt I/O Port State Transitions



The I/O port register configurations are summarized as follows.

Standard Ports

PA5:4, PC7:0, PD7:0, PE7:4, PE1:0, PF7:6, PF4

| MODE | DDR | OR |
|-------------------|-----|----|
| floating input | 0 | 0 |
| pull-up input | 0 | 1 |
| open drain output | 1 | 0 |
| push-pull output | 1 | 1 |

Interrupt Ports

PA2:0, PB6:4, PB2:0, PF1:0 (with pull-up)

| MODE | DDR | OR |
|-------------------------|-----|----|
| floating input | 0 | 0 |
| pull-up interrupt input | 0 | 1 |
| open drain output | 1 | 0 |
| push-pull output | 1 | 1 |

PA3, PB7, PB3, PF2 (without pull-up)

| MODE | DDR | OR |
|--------------------------|-----|----|
| floating input | 0 | 0 |
| floating interrupt input | 0 | 1 |
| open drain output | 1 | 0 |
| push-pull output | 1 | 1 |

True Open Drain Ports

PA7:6

| MODE | DDR |
|------------------------------|-----|
| floating input | 0 |
| open drain (high sink ports) | 1 |

I/O PORTS (Cont'd)

11.4 LOW POWER MODES

| Mode | Description |
|------|--|
| WAIT | No effect on I/O ports. External interrupts cause the device to exit from WAIT mode. |
| HALT | No effect on I/O ports. External interrupts cause the device to exit from HALT mode. |

11.5 INTERRUPTS

The external interrupt event generates an interrupt if the corresponding configuration is selected with DDR and OR registers and the I-bit in the CC register is reset (RIM instruction).

| Interrupt Event | Event Flag | Enable Control Bit | Exit from Wait | Exit from Halt |
|---|------------|--------------------|----------------|----------------|
| External interrupt on selected external event | - | DDRx ORx | Yes | Yes |

Table 9. Port Configuration

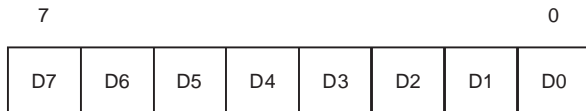
| Port | Pin name | Input | | Output | | |
|--------|--------------|----------|--------------------|-----------------|-----------|-----------|
| | | OR = 0 | OR = 1 | OR = 0 | OR = 1 | High-Sink |
| Port A | PA7:6 | floating | | true open-drain | | Yes |
| | PA5:4 | floating | pull-up | open drain | push-pull | |
| | PA3 | floating | floating interrupt | open drain | push-pull | No |
| | PA2:0 | floating | pull-up interrupt | open drain | push-pull | |
| Port B | PB7, PB3 | floating | floating interrupt | open drain | push-pull | |
| | PB6:4, PB2:0 | floating | pull-up interrupt | open drain | push-pull | |
| Port C | PC7:4, PC1:0 | floating | pull-up | open drain | push-pull | Yes |
| | PC3:2 | floating | pull-up | open drain | push-pull | |
| Port D | PD7:0 | floating | pull-up | open drain | push-pull | No |
| Port E | PE7:4 | floating | pull-up | open drain | push-pull | Yes |
| | PE1:0 | floating | pull-up | open drain | push-pull | No |
| Port F | PF7:6 | floating | pull-up | open drain | push-pull | Yes |
| | PF4 | floating | pull-up | open drain | push-pull | No |
| | PF2 | floating | floating interrupt | open drain | push-pull | |
| | PF1:0 | floating | pull-up interrupt | open drain | push-pull | |

I/O PORTS (Cont'd)

11.5.1 Register Description

DATA REGISTER (DR)

Port x Data Register
 PxDR with x = A, B, C, D, E or F.
 Read/Write
 Reset Value: 0000 0000 (00h)

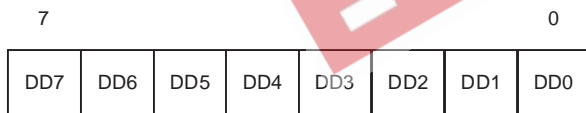


Bit 7:0 = **D[7:0]** Data register 8 bits.

The DR register has a specific behaviour according to the selected input/output configuration. Writing the DR register is always taken into account even if the pin is configured as an input; this allows to always have the expected level on the pin when toggling to output mode. Reading the DR register returns either the DR register latch content (pin configured as output) or the digital value applied to the I/O pin (pin configured as input).

DATA DIRECTION REGISTER (DDR)

Port x Data Direction Register
 PxDDR with x = A, B, C, D, E or F.
 Read/Write
 Reset Value: 0000 0000 (00h)



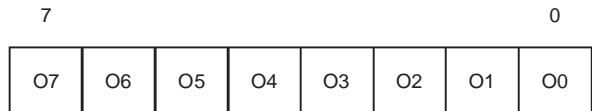
Bit 7:0 = **DD[7:0]** Data direction register 8 bits.

The DDR register gives the input/output direction configuration of the pins. Each bits is set and cleared by software.

- 0: Input mode
- 1: Output mode

OPTION REGISTER (OR)

Port x Option Register
 PxOR with x = A, B, C, D, E or F.
 Read/Write
 Reset Value: 0000 0000 (00h)



Bit 7:0 = **O[7:0]** Option register 8 bits.

For specific I/O pins, this register is not implemented. In this case the DDR register is enough to select the I/O pin configuration.

The OR register allows to distinguish: in input mode if the pull-up with interrupt capability or the basic pull-up configuration is selected, in output mode if the push-pull or open drain configuration is selected.

Each bit is set and cleared by software.

Input mode:

- 0: floating input
- 1: pull-up input with or without interrupt

Output mode:

- 0: output open drain (with P-Buffer unactivated)
- 1: output push-pull

I/O PORTS (Cont'd)

Table 10. I/O Port Register Map and Reset Values

| Address (Hex.) | Register Label | 7 | 6 | 5 | 4 | 3 | 2 | 1 | 0 |
|--------------------------------------|--------------------|-----|---|---|---|---|---|---|-----|
| Reset Value of all IO port registers | | 0 | 0 | 0 | 0 | 0 | 0 | 0 | 0 |
| 0000h | PADR | MSB | | | | | | | LSB |
| 0001h | PADDR | | | | | | | | |
| 0002h | PAOR ¹⁾ | | | | | | | | |
| 0004h | PCDR | MSB | | | | | | | LSB |
| 0005h | PCDDR | | | | | | | | |
| 0006h | PCOR | | | | | | | | |
| 0008h | PBDR | MSB | | | | | | | LSB |
| 0009h | PBDDR | | | | | | | | |
| 000Ah | PBOR ¹⁾ | | | | | | | | |
| 000Ch | PEDR | MSB | | | | | | | LSB |
| 000Dh | PEDDR | | | | | | | | |
| 000Eh | PEOR ¹⁾ | | | | | | | | |
| 0010h | PDDR | MSB | | | | | | | LSB |
| 0011h | PDDDR | | | | | | | | |
| 0012h | PDOR ¹⁾ | | | | | | | | |
| 0014h | PFDR | MSB | | | | | | | LSB |
| 0015h | PFDDR | | | | | | | | |
| 0016h | PFOR | | | | | | | | |

Notes:

1) The bits corresponding to unavailable pins are forced to 1 by hardware, this affects the reset status value.

12 MISCELLANEOUS REGISTERS

The miscellaneous registers allow control over several different features such as the external interrupts or the I/O alternate functions.

12.1 I/O PORT INTERRUPT SENSITIVITY

The external interrupt sensitivity is controlled by the ISxx bits of the MISCR1 miscellaneous register. This control allows to have two fully independent external interrupt source sensitivities.

Each external interrupt source can be generated on four different events on the pin:

- Falling edge
- Rising edge
- Falling and rising edge
- Falling edge and low level

To guarantee correct functionality, the sensitivity bits in the MISCR1 register must be modified only when the I bit of the CC register is set to 1 (interrupt masked). See I/O port register and Miscellaneous register descriptions for more details on the programming.

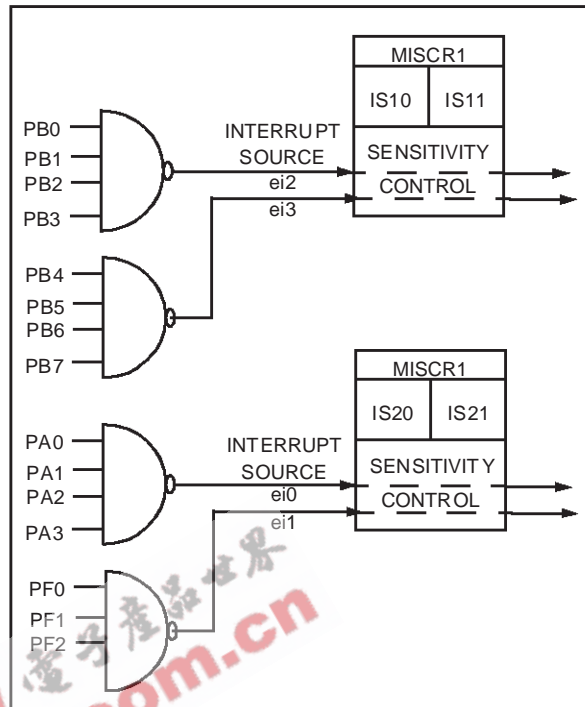
12.2 I/O PORT ALTERNATE FUNCTIONS

The MISCR registers manage four I/O port miscellaneous alternate functions:

- Main clock signal (f_{CPU}) output on PF0
- A beep signal output on PF1 (with 3 selectable audio frequencies)
- SPI pin configuration:
 - \overline{SS} pin internal control to use the PC7 I/O port function while the SPI is active.

These functions are described in detail in the Section 12 "MISCELLANEOUS REGISTERS" on page 44.

Figure 28. Ext. Interrupt Sensitivity



MISCELLANEOUS REGISTERS (Cont'd)

12.3 REGISTERS DESCRIPTION

MISCELLANEOUS REGISTER 1 (MISCR1)

Read/Write

Reset Value: 0000 0000 (00h)

| | | | | | | | |
|------|------|-----|------|------|-----|-----|-----|
| 7 | | | | | | | 0 |
| IS11 | IS10 | MCO | IS21 | IS20 | CP1 | CP0 | SMS |

Bit 7:6 = **IS1[1:0]** *ei2 and ei3 sensitivity*
 The interrupt sensitivity, defined using the IS1[1:0] bits, is applied to the following external interrupts: ei2 (port B3..0) and ei3 (port B7..4). These 2 bits can be written only when the I bit of the CC register is set to 1 (interrupt disabled).

| External Interrupt Sensitivity | IS11 | IS10 |
|--------------------------------|------|------|
| Falling edge & low level | 0 | 0 |
| Rising edge only | 0 | 1 |
| Falling edge only | 1 | 0 |
| Rising and falling edge | 1 | 1 |

Bit 5 = **MCO** *Main clock out selection*
 This bit enables the MCO alternate function on the I/O port. It is set and cleared by software.
 0: MCO alternate function disabled
 (I/O pin free for general-purpose I/O)
 1: MCO alternate function enabled
 ($f_{OSC}/2$ on I/O port)

Note: To reduce power consumption, the MCO function is not active in ACTIVE-HALT mode.

Bit 4:3 = **IS2[1:0]** *ei0 and ei1 sensitivity*
 The interrupt sensitivity, defined using the IS2[1:0] bits, is applied to the following external interrupts: ei0 (port A3..0) and ei1 (port F2..0). These 2 bits can be written only when the I bit of the CC register is set to 1 (interrupt disabled).

Bit 2:1 = **CP[1:0]** *CPU clock prescaler*
 These bits select the CPU clock prescaler which is applied in the different slow modes. Their action is conditioned by the setting of the SMS bit. These two bits are set and cleared by software

| f_{CPU} in SLOW mode | CP1 | CP0 |
|------------------------|-----|-----|
| $f_{OSC} / 4$ | 0 | 0 |
| $f_{OSC} / 8$ | 1 | 0 |
| $f_{OSC} / 16$ | 0 | 1 |
| $f_{OSC} / 32$ | 1 | 1 |

Bit 0 = **SMS** *Slow mode select*
 This bit is set and cleared by software.
 0: Normal mode. $f_{CPU} = f_{OSC} / 2$
 1: Slow mode. f_{CPU} is given by CP1, CP0
 See low power consumption mode and MCC chapters for more details.

MISCELLANEOUS REGISTERS (Cont'd)

MISCELLANEOUS REGISTER 2 (MISCR2)

Read/Write

Reset Value: 0000 0000 (00h)

| | | | | | | | |
|---|---|-----|-----|---|---|-----|-----|
| 7 | | | | | | | 0 |
| - | - | BC1 | BC0 | - | - | SSM | SSI |

Bit 7:6 = **Reserved** *Must always be cleared*

Bit 5:4 = **BC[1:0]** *Beep control*

These 2 bits select the PF1 pin beep capability.

| Beep mode with $f_{osc}=16MHz$ | | BC1 | BC0 |
|--------------------------------|--|-----|-----|
| Off | | 0 | 0 |
| ~2-KHz | Output Beep signal ~50% duty cycle | 0 | 1 |
| ~1-KHz | | 1 | 0 |
| ~500-Hz | | 1 | 1 |

The beep output signal is available in ACTIVE-HALT mode but has to be disabled to reduce the consumption.

Bit 3:2 = **Reserved** *Must always be cleared*

Bit 1 = **SSM** \overline{SS} *mode selection*

It is set and cleared by software.

0: Normal mode - \overline{SS} uses information coming from the \overline{SS} pin of the SPI.

1: I/O mode, the SPI uses the information stored into bit SSI.

Bit 0 = **SSI** \overline{SS} *internal mode*

This bit replaces pin \overline{SS} of the SPI when bit SSM is set to 1. (see SPI description). It is set and cleared by software.

Table 11. Miscellaneous Register Map and Reset Values

| Address (Hex.) | Register Label | 7 | 6 | 5 | 4 | 3 | 2 | 1 | 0 |
|----------------|-----------------------|-----------|-----------|----------|-----------|-----------|----------|----------|----------|
| 0020h | MISCR1 Reset Value | IS11 0 | IS10 0 | MCO 0 | IS21 0 | IS20 0 | CP1 0 | CP0 0 | SMS 0 |
| 0040h | MISCR2 Reset Value | 0 | 0 | BC1 0 | BC0 0 | 0 | 0 | SSM 0 | SSI 0 |

13 ON-CHIP PERIPHERALS

13.1 WATCHDOG TIMER (WDG)

13.1.1 Introduction

The Watchdog timer is used to detect the occurrence of a software fault, usually generated by external interference or by unforeseen logical conditions, which causes the application program to abandon its normal sequence. The Watchdog circuit generates an MCU reset on expiry of a programmed time period, unless the program refreshes the counter's contents before the T6 bit becomes cleared.

13.1.2 Main Features

- Programmable timer (64 increments of 12288 CPU cycles)
- Programmable reset
- Reset (if watchdog activated) after a HALT instruction or when the T6 bit reaches zero

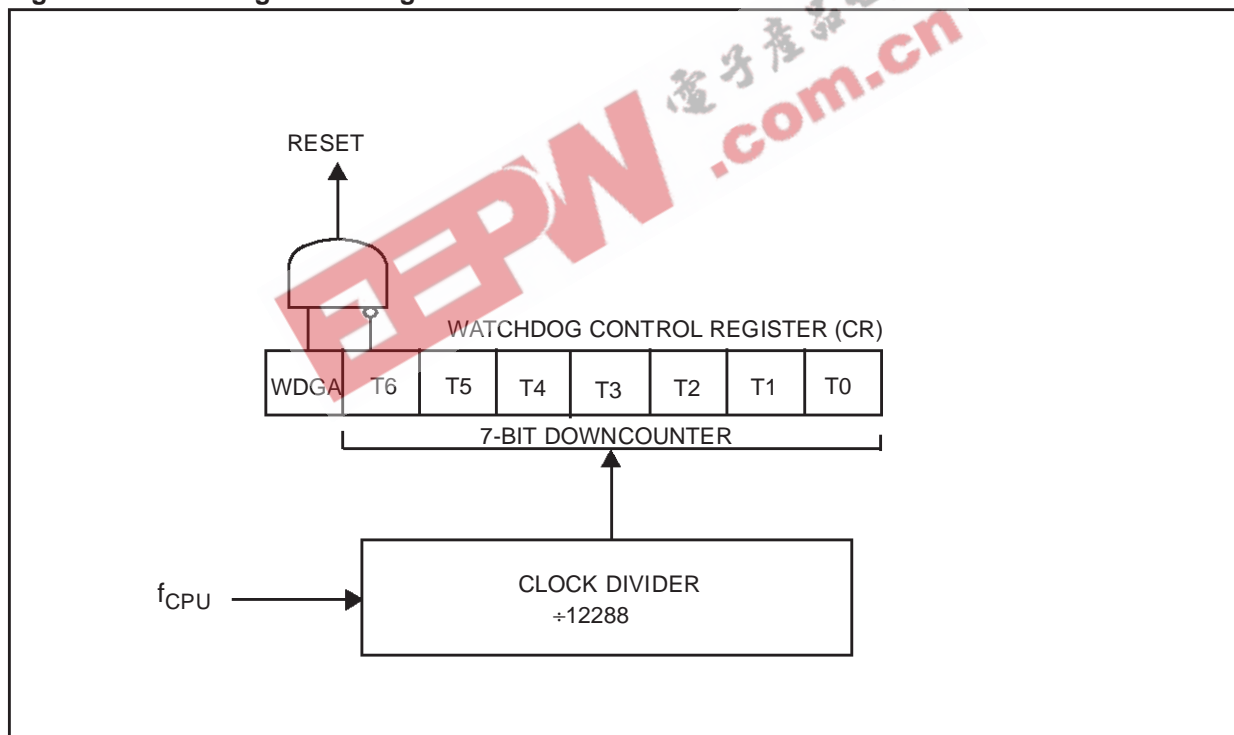
- Hardware Watchdog selectable by option byte
- Watchdog Reset indicated by status flag (in versions with Safe Reset option only)

13.1.3 Functional Description

The counter value stored in the CR register (bits T[6:0]), is decremented every 12,288 machine cycles, and the length of the timeout period can be programmed by the user in 64 increments.

If the watchdog is activated (the WDGA bit is set) and when the 7-bit timer (bits T[6:0]) rolls over from 40h to 3Fh (T6 becomes cleared), it initiates a reset cycle pulling low the reset pin for typically 500ns.

Figure 29. Watchdog Block Diagram



WATCHDOG TIMER (Cont'd)

The application program must write in the CR register at regular intervals during normal operation to prevent an MCU reset. The value to be stored in the CR register must be between FFh and C0h (see Table 12 .Watchdog Timing (fCPU = 8 MHz)):

- The WDGA bit is set (watchdog enabled)
- The T6 bit is set to prevent generating an immediate reset
- The T[5:0] bits contain the number of increments which represents the time delay before the watchdog produces a reset.

Table 12. Watchdog Timing (fCPU = 8 MHz)

| | CR Register initial value | WDG timeout period (ms) |
|-----|---------------------------|-------------------------|
| Max | FFh | 98.304 |
| Min | C0h | 1.536 |

Notes: Following a reset, the watchdog is disabled. Once activated it cannot be disabled, except by a reset.

The T6 bit can be used to generate a software reset (the WDGA bit is set and the T6 bit is cleared).

If the watchdog is activated, the HALT instruction will generate a Reset.

13.1.4 Hardware Watchdog Option

If Hardware Watchdog is selected by option byte, the watchdog is always active and the WDGA bit in the CR is not used.

Refer to the device-specific Option Byte description.

13.1.5 Low Power Modes

| Mode | Description |
|------|--|
| WAIT | No effect on Watchdog. |
| HALT | Immediate reset generation as soon as the HALT instruction is executed if the Watchdog is activated (WDGA bit is set). |

13.1.6 Interrupts

None.

13.1.7 Register Description

CONTROL REGISTER (CR)

Read/Write

Reset Value: 0111 1111 (7Fh)

| | |
|------|----|
| 7 | 0 |
| WDGA | T6 |
| T5 | T4 |
| T3 | T2 |
| T1 | T0 |

Bit 7 = **WDGA** Activation bit.

This bit is set by software and only cleared by hardware after a reset. When WDGA = 1, the watchdog can generate a reset.

0: Watchdog disabled

1: Watchdog enabled

Note: This bit is not used if the hardware watchdog option is enabled by option byte.

Bit 6:0 = **T[6:0]** 7-bit timer (MSB to LSB).

These bits contain the decremented value. A reset is produced when it rolls over from 40h to 3Fh (T6 becomes cleared).

STATUS REGISTER (SR)

Read/Write

Reset Value*: 0000 0000 (00h)

| | |
|---|-------|
| 7 | 0 |
| - | WDOGF |

Bit 0 = **WDOGF** Watchdog flag.

This bit is set by a watchdog reset and cleared by software or a power on/off reset. This bit is useful for distinguishing power/on off or external reset and watchdog reset.

0: No Watchdog reset occurred

1: Watchdog reset occurred

* Only by software and power on/off reset

Note: This register is not used in versions without LVD Reset.

WATCHDOG TIMER (Cond't)

Table 13. Watchdog Timer Register Map and Reset Values

| Address (Hex.) | Register Label | 7 | 6 | 5 | 4 | 3 | 2 | 1 | 0 |
|----------------|----------------------|-----------|---------|---------|---------|---------|---------|---------|---------|
| 002Ah | WDGCR Reset Value | WDGA 0 | T6 1 | T5 1 | T4 1 | T3 1 | T2 1 | T1 1 | T0 1 |

EEPW 电子产品世界
.com.cn

13.2 MAIN CLOCK CONTROLLER WITH REAL TIME CLOCK TIMER (MCC/RTC)

The Main Clock Controller consists of three different functions:

- a programmable CPU clock prescaler
- a clock-out signal to supply external devices
- a real time clock timer with interrupt capability

Each function can be used independently and simultaneously.

13.2.1 Programmable CPU clock prescaler

The programmable CPU clock prescaler supplies the clock for the ST7 CPU and its internal peripherals. It manages SLOW power saving mode (See Section 10.2 "SLOW MODE" on page 33 for more details).

The prescaler selects the f_{CPU} main clock frequency and is controlled by three bits in the MISCR1 register: CP[1:0] and SMS.

CAUTION: The prescaler does not act on the CAN peripheral clock source. This peripheral is always supplied by the $f_{OSC}/2$ clock source.

13.2.2 Clock-out capability

The clock-out capability is an alternate function of an I/O port pin that outputs a $f_{OSC}/2$ clock to drive external devices. It is controlled by the MCO bit in the MISCR1 register.

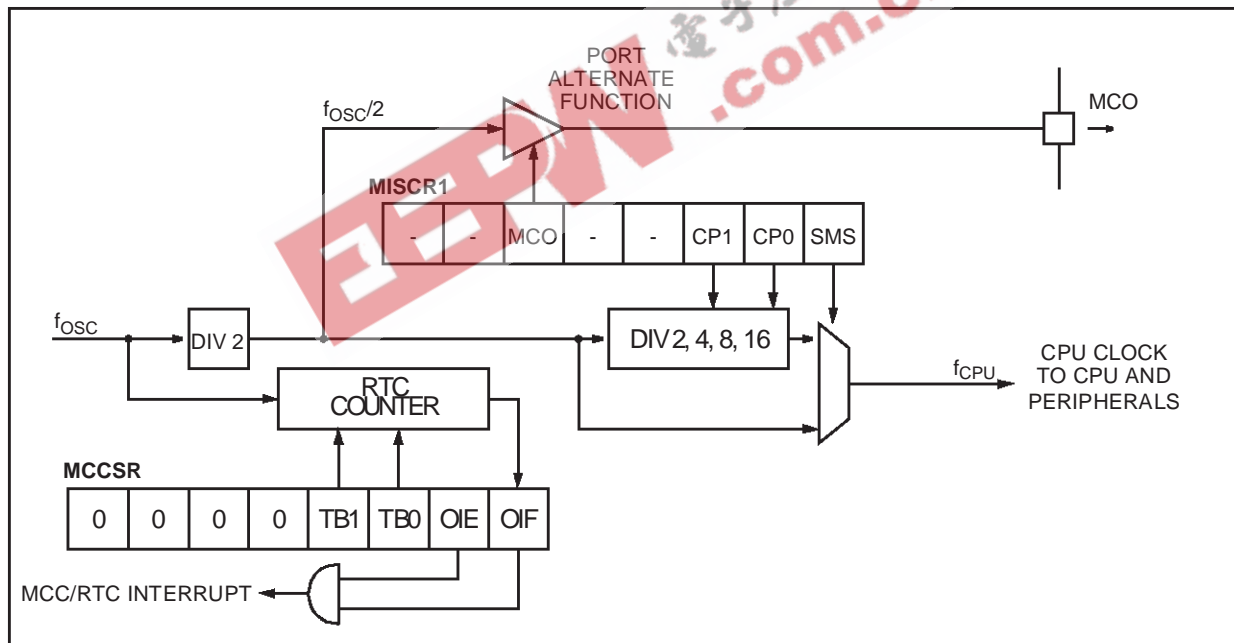
CAUTION: When selected, the clock out pin suspends the clock during ACTIVE-HALT mode.

13.2.3 Real time clock timer (RTC)

The counter of the real time clock timer allows an interrupt to be generated based on an accurate real time clock. Four different time bases depending directly on f_{OSC} are available. The whole functionality is controlled by four bits of the MCCR register: TB[1:0], OIE and OIF.

When the RTC interrupt is enabled (OIE bit set), the ST7 enters ACTIVE-HALT mode when the HALT instruction is executed. See Section 10.4 "ACTIVE-HALT AND HALT MODES" on page 35 for more details.

Figure 30. Main Clock Controller (MCC/RTC) Block Diagram



MAIN CLOCK CONTROLLER WITH REAL TIME CLOCK TIMER (Cont'd)

MISCELLANEOUS REGISTER 1 (MISCR1)

See Section 12 on page 44.

MAIN CLOCK CONTROL/STATUS REGISTER (MCCSR)

Read/Write

Reset Value: 0000 0001 (01h)

| | | | | | | | |
|---|---|---|---|-----|-----|-----|-----|
| 7 | | | | | | | 0 |
| 0 | 0 | 0 | 0 | TB1 | TB0 | OIE | OIF |

Bit 7:4 = Reserved, always read as 0.

Bit 3:2 = **TB[1:0]** *Time base control*

These bits select the programmable divider time base. They are set and cleared by software.

| Counter Prescaler | Time Base | | TB1 | TB0 |
|-------------------|------------------------|-------------------------|-----|-----|
| | f _{osc} =8MHz | f _{osc} =16MHz | | |
| 32000 | 4ms | 2ms | 0 | 0 |
| 64000 | 8ms | 4ms | 0 | 1 |
| 160000 | 20ms | 10ms | 1 | 0 |
| 400000 | 50ms | 25ms | 1 | 1 |

A modification of the time base is taken into account at the end of the current period (previously set) to avoid unwanted time shift. This allows to use this time base as a real time clock.

Bit 1 = **OIE** *Oscillator interrupt enable*

This bit set and cleared by software.

0: Oscillator interrupt disabled

1: Oscillator interrupt enabled

This interrupt allows to exit from ACTIVE-HALT mode.

When this bit is set, calling the ST7 software HALT instruction enters the ACTIVE-HALT power saving mode.

Bit 0 = **OIF** *Oscillator interrupt flag*

This bit is set by hardware and cleared by software reading the CSR register. It indicates when set that the main oscillator has measured the selected elapsed time (TB1:0).

0: Timeout not reached

1: Timeout reached

CAUTION: The BRES and BSET instructions must not be used on the MCCSR register to avoid unintentionally clearing the OIF bit.

13.2.4 Low Power Modes

| Mode | Description |
|-------------|--|
| WAIT | No effect on MCC/RTC peripheral. MCC/RTC interrupt cause the device to exit from WAIT mode. |
| ACTIVE-HALT | No effect on MCC/RTC counter (OIE bit is set), the registers are frozen. MCC/RTC interrupt cause the device to exit from ACTIVE-HALT mode. |
| HALT | MCC/RTC counter and registers are frozen. MCC/RTC operation resumes when the MCU is woken up by an interrupt with "exit from HALT" capability. |

13.2.5 Interrupts

The MCC/RTC interrupt event generates an interrupt if the OIE bit of the MCCSR register is set and the interrupt mask in the CC register is not active (RIM instruction).

| Interrupt Event | Event Flag | Enable Control Bit | Exit from Wait | Exit from Halt |
|--------------------------|------------|--------------------|----------------|------------------|
| Time base overflow event | OIF | OIE | Yes | No ¹⁾ |

Note:

1. The MCC/RTC interrupt allows to exit from ACTIVE-HALT mode, not from HALT mode.

Table 14. MCC Register Map and Reset Values

| Address (Hex.) | Register Label | 7 | 6 | 5 | 4 | 3 | 2 | 1 | 0 |
|----------------|----------------------|---|---|---|---|----------|----------|----------|----------|
| 0029h | MCCSR Reset Value | 0 | 0 | 0 | 0 | TB1 0 | TB0 0 | OIE 0 | OIF 1 |

13.3 16-BIT TIMER

13.3.1 Introduction

The timer consists of a 16-bit free-running counter driven by a programmable prescaler.

It may be used for a variety of purposes, including pulse length measurement of up to two input signals (*input capture*) or generation of up to two output waveforms (*output compare* and *PWM*).

Pulse lengths and waveform periods can be modulated from a few microseconds to several milliseconds using the timer prescaler and the CPU clock prescaler.

Some ST7 devices have two on-chip 16-bit timers. They are completely independent, and do not share any resources. They are synchronized after a MCU reset as long as the timer clock frequencies are not modified.

This description covers one or two 16-bit timers. In ST7 devices with two timers, register names are prefixed with TA (Timer A) or TB (Timer B).

13.3.2 Main Features

- Programmable prescaler: f_{CPU} divided by 2, 4 or 8.
- Overflow status flag and maskable interrupt
- External clock input (must be at least 4 times slower than the CPU clock speed) with the choice of active edge
- Output compare functions with
 - 2 dedicated 16-bit registers
 - 2 dedicated programmable signals
 - 2 dedicated status flags
 - 1 dedicated maskable interrupt
- Input capture functions with
 - 2 dedicated 16-bit registers
 - 2 dedicated active edge selection signals
 - 2 dedicated status flags
 - 1 dedicated maskable interrupt
- Pulse width modulation mode (PWM)
- One pulse mode
- 5 alternate functions on I/O ports (ICAP1, ICAP2, OCMP1, OCMP2, EXTCLK)*

The Block Diagram is shown in Figure 31.

***Note:** Some timer pins may not be available (not bonded) in some ST7 devices. Refer to the device pin out description.

When reading an input signal on a non-bonded pin, the value will always be '1'.

13.3.3 Functional Description

13.3.3.1 Counter

The main block of the Programmable Timer is a 16-bit free running upcounter and its associated 16-bit registers. The 16-bit registers are made up of two 8-bit registers called high & low.

Counter Register (CR):

- Counter High Register (CHR) is the most significant byte (MS Byte).
- Counter Low Register (CLR) is the least significant byte (LS Byte).

Alternate Counter Register (ACR)

- Alternate Counter High Register (ACHR) is the most significant byte (MS Byte).
- Alternate Counter Low Register (ACLR) is the least significant byte (LS Byte).

These two read-only 16-bit registers contain the same value but with the difference that reading the ACLR register does not clear the TOF bit (Timer overflow flag), located in the Status register, (SR), (see note at the end of paragraph titled 16-bit read sequence).

Writing in the CLR register or ACLR register resets the free running counter to the FFFCh value.

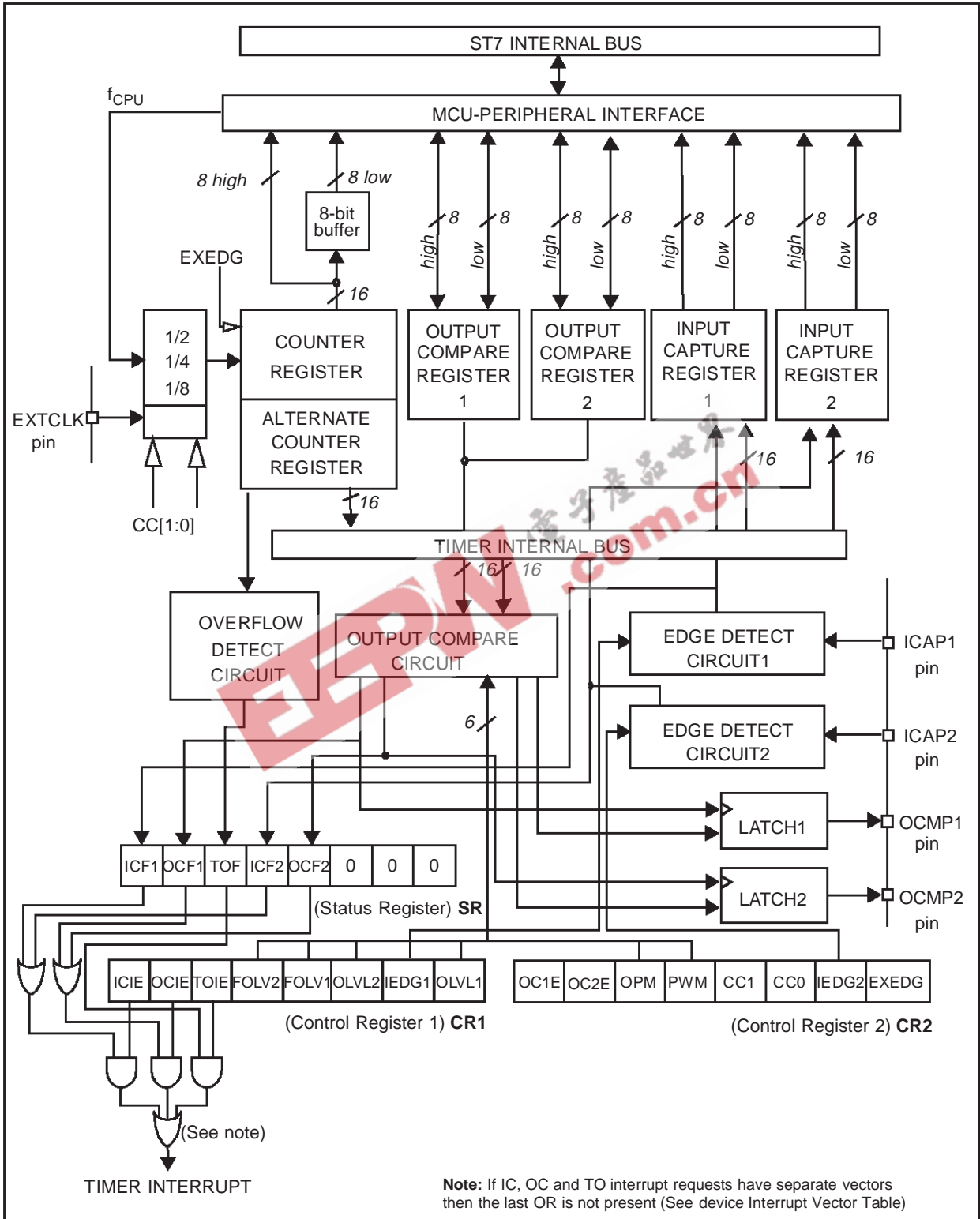
Both counters have a reset value of FFFCh (this is the only value which is reloaded in the 16-bit timer). The reset value of both counters is also FFFCh in One Pulse mode and PWM mode.

The timer clock depends on the clock control bits of the CR2 register, as illustrated in Table 15 Clock Control Bits. The value in the counter register repeats every 131.072, 262.144 or 524.288 CPU clock cycles depending on the CC[1:0] bits.

The timer frequency can be $f_{CPU}/2$, $f_{CPU}/4$, $f_{CPU}/8$ or an external frequency.

16-BIT TIMER (Cont'd)

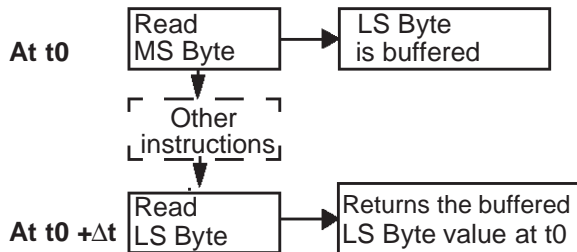
Figure 31. Timer Block Diagram



16-BIT TIMER (Cont'd)

16-bit read sequence: (from either the Counter Register or the Alternate Counter Register).

Beginning of the sequence



Sequence completed

The user must read the MS Byte first, then the LS Byte value is buffered automatically.

This buffered value remains unchanged until the 16-bit read sequence is completed, even if the user reads the MS Byte several times.

After a complete reading sequence, if only the CLR register or ACLR register are read, they return the LS Byte of the count value at the time of the read.

Whatever the timer mode used (input capture, output compare, one pulse mode or PWM mode) an overflow occurs when the counter rolls over from FFFFh to 0000h then:

- The TOF bit of the SR register is set.
- A timer interrupt is generated if:
 - TOIE bit of the CR1 register is set and
 - I bit of the CC register is cleared.

If one of these conditions is false, the interrupt remains pending to be issued as soon as they are both true.

Clearing the overflow interrupt request is done in two steps:

1. Reading the SR register while the TOF bit is set.
2. An access (read or write) to the CLR register.

Notes: The TOF bit is not cleared by accesses to ACLR register. The advantage of accessing the ACLR register rather than the CLR register is that it allows simultaneous use of the overflow function and reading the free running counter at random times (for example, to measure elapsed time) without the risk of clearing the TOF bit erroneously.

The timer is not affected by WAIT mode.

In HALT mode, the counter stops counting until the mode is exited. Counting then resumes from the previous count (MCU awakened by an interrupt) or from the reset count (MCU awakened by a Reset).

13.3.3.2 External Clock

The external clock (where available) is selected if CC0=1 and CC1=1 in CR2 register.

The status of the EXEDG bit in the CR2 register determines the type of level transition on the external clock pin EXTCLK that will trigger the free running counter.

The counter is synchronised with the falling edge of the internal CPU clock.

A minimum of four falling edges of the CPU clock must occur between two consecutive active edges of the external clock; thus the external clock frequency must be less than a quarter of the CPU clock frequency.

16-BIT TIMER (Cont'd)

Figure 32. Counter Timing Diagram, internal clock divided by 2

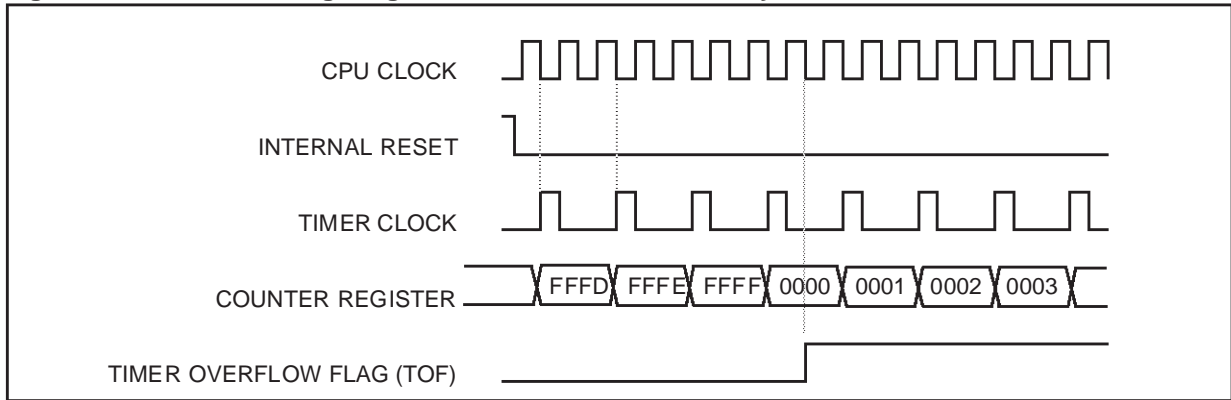


Figure 33. Counter Timing Diagram, internal clock divided by 4

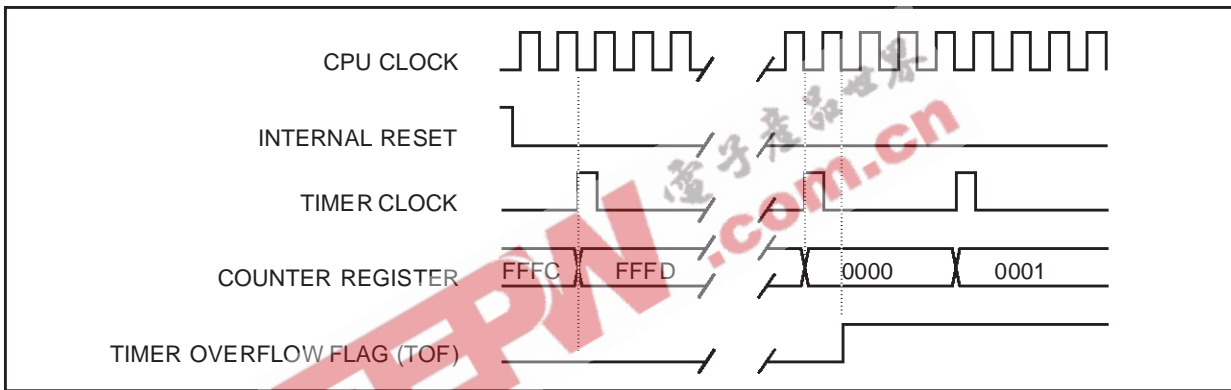
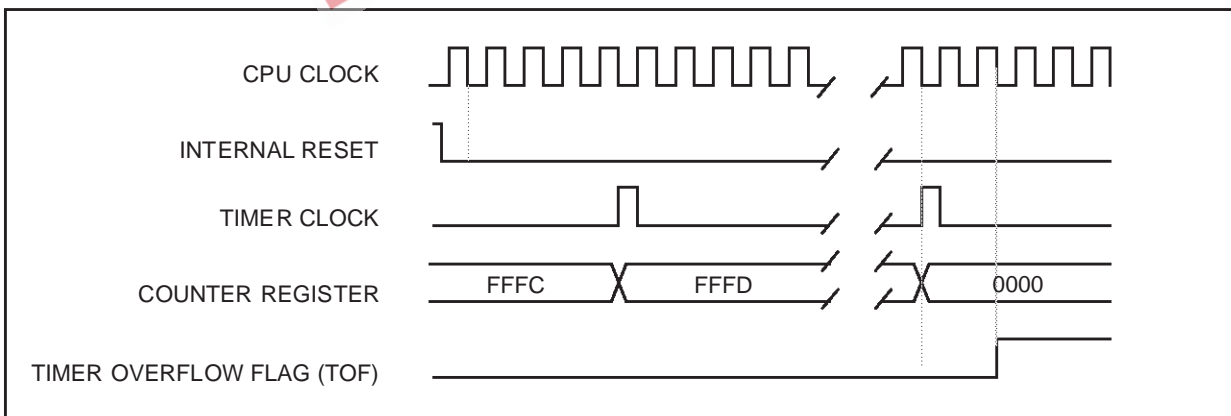


Figure 34. Counter Timing Diagram, internal clock divided by 8



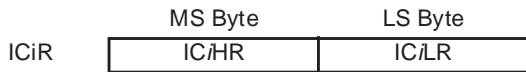
Note: The MCU is in reset state when the internal reset signal is high, when it is low the MCU is running.

16-BIT TIMER (Cont'd)

13.3.3.3 Input Capture

In this section, the index, *i*, may be 1 or 2 because there are 2 input capture functions in the 16-bit timer.

The two input capture 16-bit registers (IC1R and IC2R) are used to latch the value of the free running counter after a transition detected by the ICAP*i* pin (see figure 5).



IC*i*R register is a read-only register.

The active transition is software programmable through the IEDG*i* bit of Control Registers (CR*i*).

Timing resolution is one count of the free running counter: (f_{CPU}/CC[1:0]).

Procedure:

To use the input capture function select the following in the CR2 register:

- Select the timer clock (CC[1:0]) (see Table 15 Clock Control Bits).
- Select the edge of the active transition on the ICAP2 pin with the IEDG2 bit (the ICAP2 pin must be configured as floating input).

And select the following in the CR1 register:

- Set the ICIE bit to generate an interrupt after an input capture coming from either the ICAP1 pin or the ICAP2 pin
- Select the edge of the active transition on the ICAP1 pin with the IEDG1 bit (the ICAP1 pin must be configured as floating input).

When an input capture occurs:

- ICF*i* bit is set.
- The IC*i*R register contains the value of the free running counter on the active transition on the ICAP*i* pin (see Figure 36).
- A timer interrupt is generated if the ICIE bit is set and the I bit is cleared in the CC register. Otherwise, the interrupt remains pending until both conditions become true.

Clearing the Input Capture interrupt request (i.e. clearing the ICF*i* bit) is done in two steps:

1. Reading the SR register while the ICF*i* bit is set.
2. An access (read or write) to the IC*i*LR register.

Notes:

1. After reading the IC*i*HR register, transfer of input capture data is inhibited and ICF*i* will never be set until the IC*i*LR register is also read.
2. The IC*i*R register contains the free running counter value which corresponds to the most recent input capture.
3. The 2 input capture functions can be used together even if the timer also uses the 2 output compare functions.
4. In One pulse Mode and PWM mode only the input capture 2 can be used.
5. The alternate inputs (ICAP1 & ICAP2) are always directly connected to the timer. So any transitions on these pins activate the input capture function. Moreover if one of the ICAP*i* pin is configured as an input and the second one as an output, an interrupt can be generated if the user toggle the output pin and if the ICIE bit is set. This can be avoided if the input capture function *i* is disabled by reading the IC*i*HR (see note 1).
6. The TOF bit can be used with interrupt in order to measure event that go beyond the timer range (FFFFh).

16-BIT TIMER (Cont'd)

Figure 35. Input Capture Block Diagram

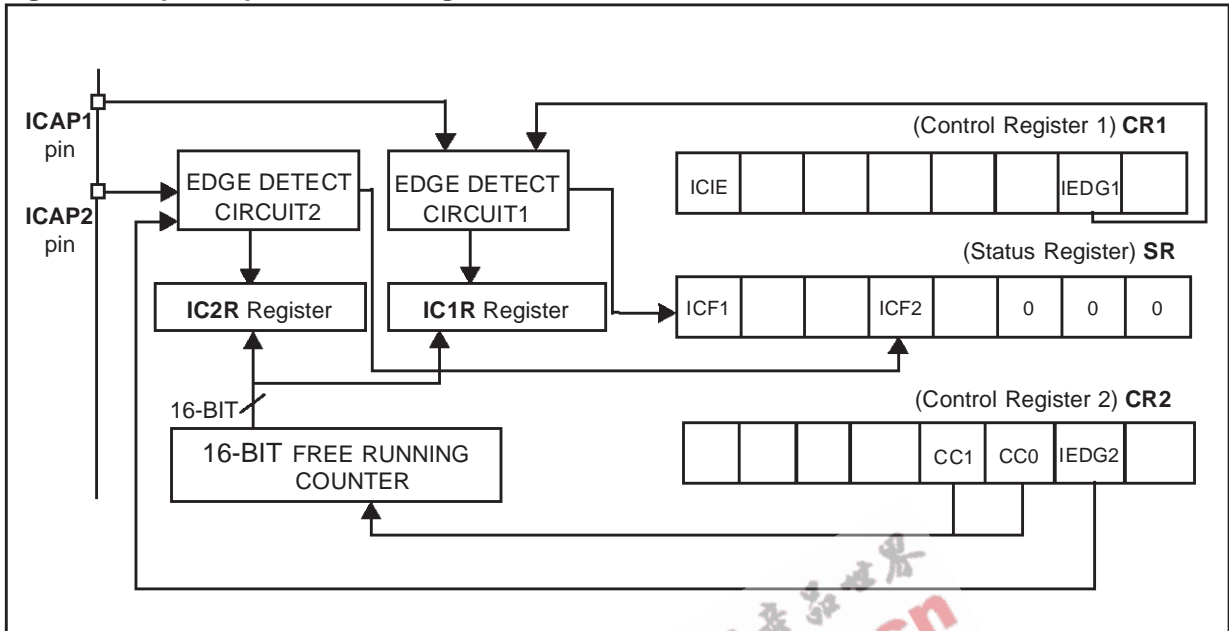
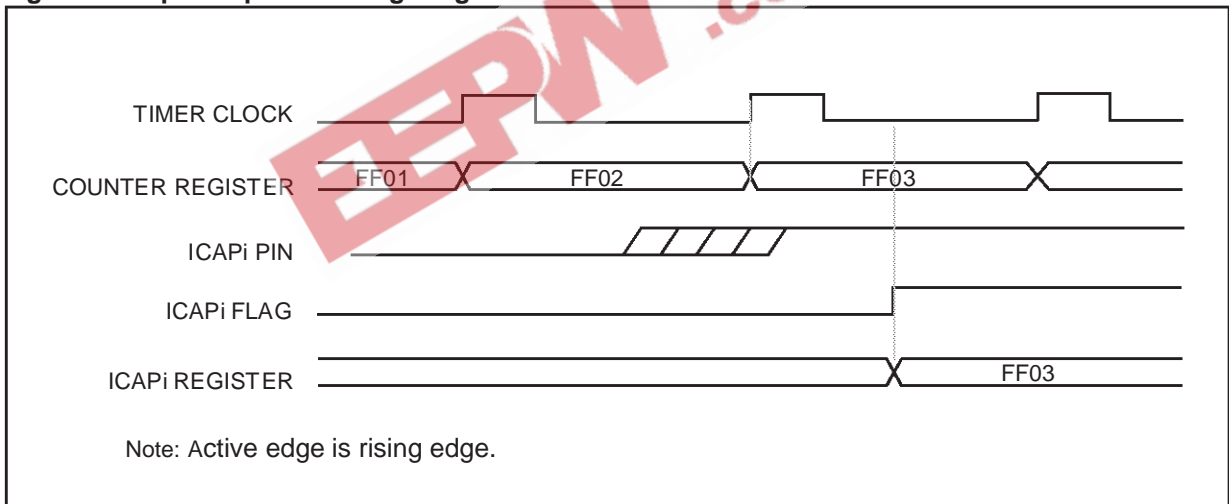


Figure 36. Input Capture Timing Diagram



16-BIT TIMER (Cont'd)

13.3.3.4 Output Compare

In this section, the index, *i*, may be 1 or 2 because there are 2 output compare functions in the 16-bit timer.

This function can be used to control an output waveform or indicate when a period of time has elapsed.

When a match is found between the Output Compare register and the free running counter, the output compare function:

- Assigns pins with a programmable value if the OCIE bit is set
- Sets a flag in the status register
- Generates an interrupt if enabled

Two 16-bit registers Output Compare Register 1 (OC1R) and Output Compare Register 2 (OC2R) contain the value to be compared to the counter register each timer clock cycle.

| | | |
|---------------|----------------|----------------|
| | MS Byte | LS Byte |
| OC <i>i</i> R | OC <i>i</i> HR | OC <i>i</i> LR |

These registers are readable and writable and are not affected by the timer hardware. A reset event changes the OC*i*R value to 8000h.

Timing resolution is one count of the free running counter: ($f_{CPU}/CC[1:0]$).

Procedure:

To use the output compare function, select the following in the CR2 register:

- Set the OC*i*E bit if an output is needed then the OCMP*i* pin is dedicated to the output compare *i* signal.
- Select the timer clock (CC[1:0]) (see Table 15 Clock Control Bits).

And select the following in the CR1 register:

- Select the OLVL*i* bit to applied to the OCMP*i* pins after the match occurs.
- Set the OCIE bit to generate an interrupt if it is needed.

When a match is found between OCR*i* register and CR register:

- OCF*i* bit is set.

- The OCMP*i* pin takes OLVL*i* bit value (OCMP*i* pin latch is forced low during reset).
- A timer interrupt is generated if the OCIE bit is set in the CR2 register and the I bit is cleared in the CC register (CC).

The OC*i*R register value required for a specific timing application can be calculated using the following formula:

$$\Delta OCiR = \frac{\Delta t * f_{CPU}}{PRESC}$$

Where:

- Δt = Output compare period (in seconds)
- f_{CPU} = CPU clock frequency (in hertz)
- PRESC = Timer prescaler factor (2, 4 or 8 depending on CC[1:0] bits, see Table 15 Clock Control Bits)

If the timer clock is an external clock, the formula is:

$$\Delta OCiR = \Delta t * f_{EXT}$$

Where:

- Δt = Output compare period (in seconds)
- f_{EXT} = External timer clock frequency (in hertz)

Clearing the output compare interrupt request (i.e. clearing the OCF*i* bit) is done by:

1. Reading the SR register while the OCF*i* bit is set.
2. An access (read or write) to the OC*i*LR register.

The following procedure is recommended to prevent the OCF*i* bit from being set between the time it is read and the write to the OC*i*R register:

- Write to the OC*i*HR register (further compares are inhibited).
- Read the SR register (first step of the clearance of the OCF*i* bit, which may be already set).
- Write to the OC*i*LR register (enables the output compare function and clears the OCF*i* bit).

16-BIT TIMER (Cont'd)

Notes:

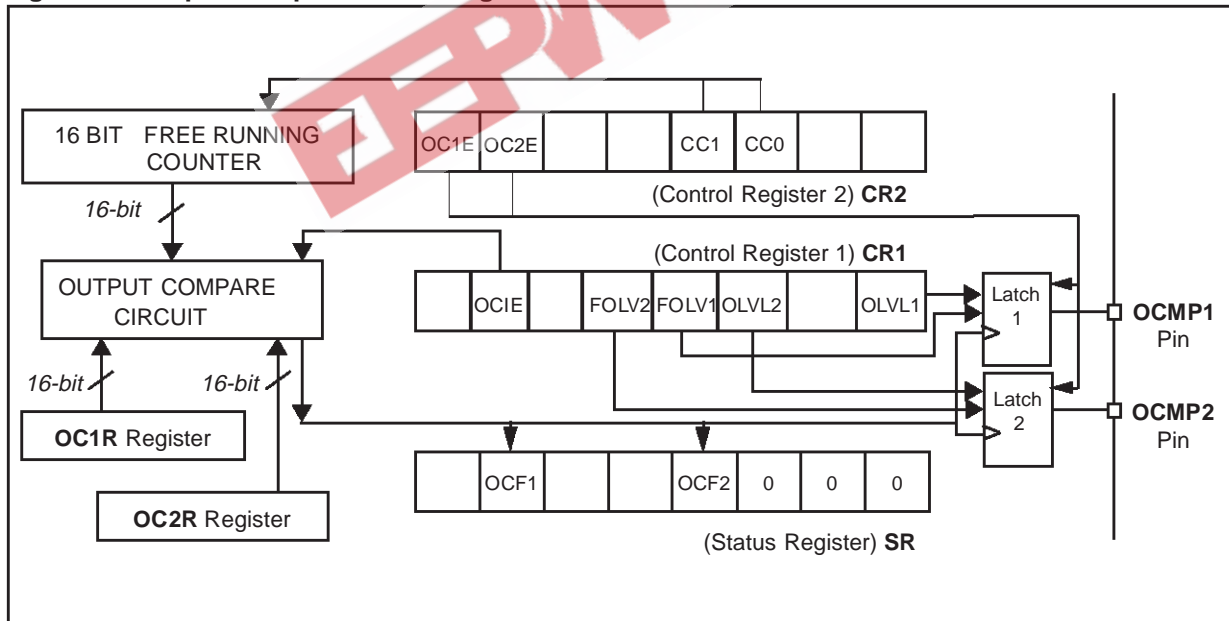
1. After a processor write cycle to the OC i HR register, the output compare function is inhibited until the OC i LR register is also written.
2. If the OC i E bit is not set, the OCMP i pin is a general I/O port and the OLV i bit will not appear when a match is found but an interrupt could be generated if the OCIE bit is set.
3. When the timer clock is $f_{CPU}/2$, OCF i and OCMP i are set while the counter value equals the OC i R register value (see Figure 38 on page 60). This behaviour is the same in OPM or PWM mode.
When the timer clock is $f_{CPU}/4$, $f_{CPU}/8$ or in external clock mode, OCF i and OCMP i are set while the counter value equals the OC i R register value plus 1 (see Figure 39 on page 60).
4. The output compare functions can be used both for generating external events on the OCMP i pins even if the input capture mode is also used.
5. The value in the 16-bit OC i R register and the OLV i bit should be changed after each successful comparison in order to control an output waveform or establish a new elapsed timeout.

Forced Compare Output capability

When the FOLV i bit is set by software, the OLV i bit is copied to the OCMP i pin. The OLV i bit has to be toggled in order to toggle the OCMP i pin when it is enabled (OC i E bit=1). The OCF i bit is then not set by hardware, and thus no interrupt request is generated.

FOLVL i bits have no effect in both one pulse mode and PWM mode.

Figure 37. Output Compare Block Diagram



16-BIT TIMER (Cont'd)

Figure 38. Output Compare Timing Diagram, $f_{TIMER} = f_{CPU}/2$

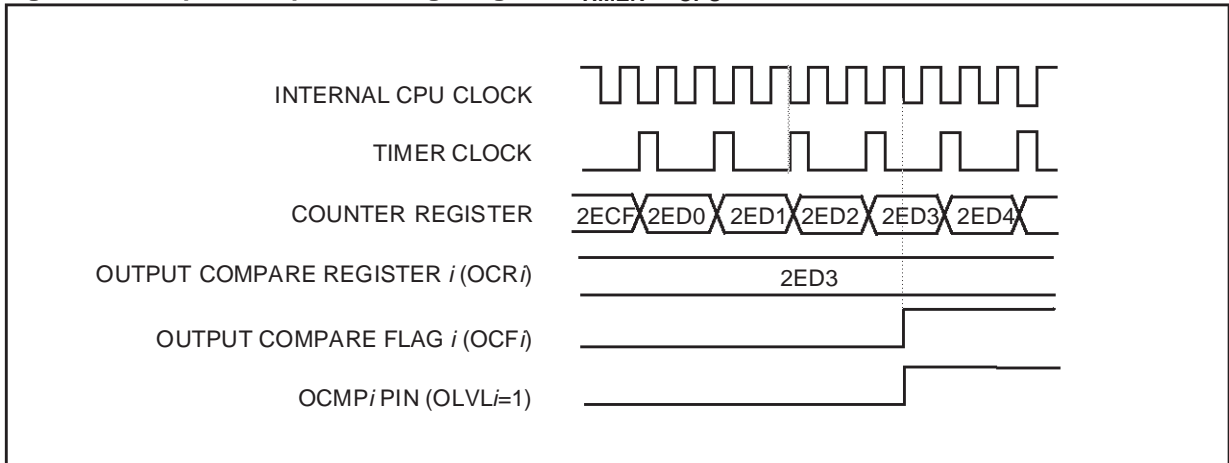
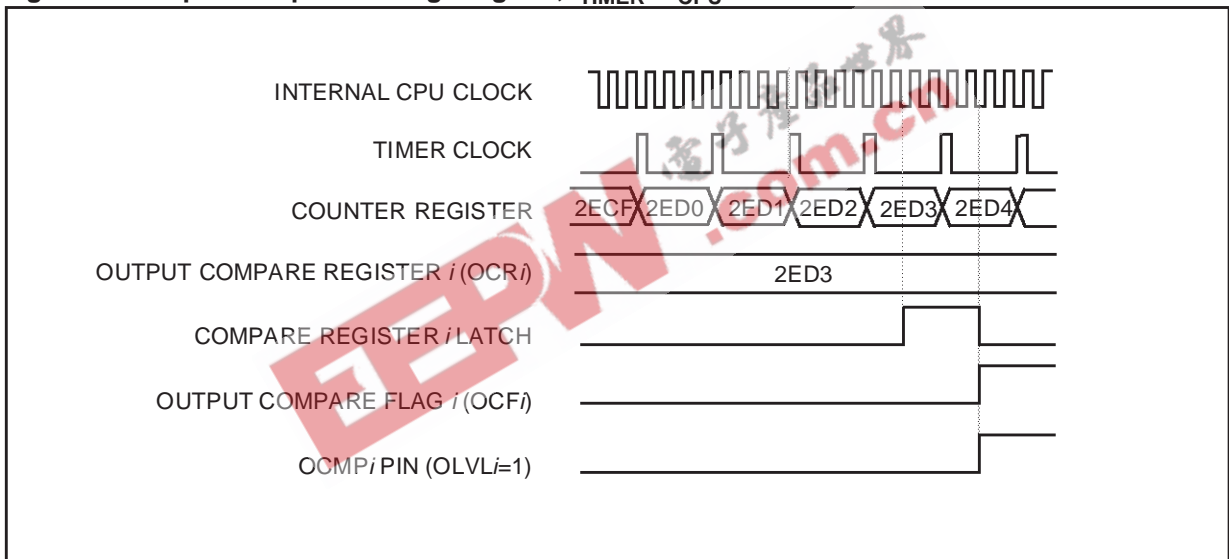


Figure 39. Output Compare Timing Diagram, $f_{TIMER} = f_{CPU}/4$



16-BIT TIMER (Cont'd)**13.3.3.5 One Pulse Mode**

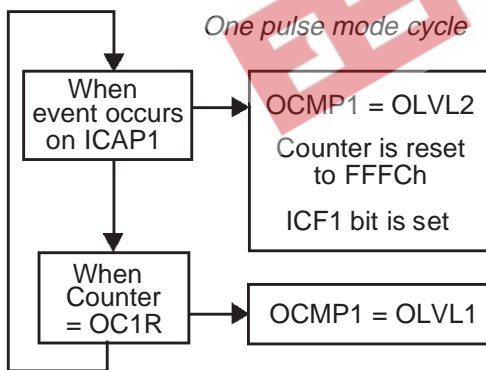
One Pulse mode enables the generation of a pulse when an external event occurs. This mode is selected via the OPM bit in the CR2 register.

The one pulse mode uses the Input Capture1 function and the Output Compare1 function.

Procedure:

To use one pulse mode:

1. Load the OC1R register with the value corresponding to the length of the pulse (see the formula in the opposite column).
2. Select the following in the CR1 register:
 - Using the OLVL1 bit, select the level to be applied to the OCMP1 pin after the pulse.
 - Using the OLVL2 bit, select the level to be applied to the OCMP1 pin during the pulse.
 - Select the edge of the active transition on the ICAP1 pin with the IEDG1 bit (the ICAP1 pin must be configured as floating input).
3. Select the following in the CR2 register:
 - Set the OC1E bit, the OCMP1 pin is then dedicated to the Output Compare 1 function.
 - Set the OPM bit.
 - Select the timer clock CC[1:0] (see Table 15 Clock Control Bits).



Then, on a valid event on the ICAP1 pin, the counter is initialized to FFFCh and OLVL2 bit is loaded on the OCMP1 pin, the ICF1 bit is set and the value FFFDh is loaded in the IC1R register.

Because the ICF1 bit is set when an active edge occurs, an interrupt can be generated if the ICIE bit is set.

Clearing the Input Capture interrupt request (i.e. clearing the ICF_i bit) is done in two steps:

1. Reading the SR register while the ICF_i bit is set.
2. An access (read or write) to the IC_iLR register.

The OC1R register value required for a specific timing application can be calculated using the following formula:

$$\text{OC1R Value} = \frac{t * f_{\text{CPU}}}{\text{PRESC}} - 5$$

Where:

t = Pulse period (in seconds)

f_{CPU} = CPU clock frequency (in hertz)

PRESC = Timer prescaler factor (2, 4 or 8 depending on the CC[1:0] bits, see Table 15 Clock Control Bits)

If the timer clock is an external clock the formula is:

$$\text{OC1R} = t * f_{\text{EXT}} - 5$$

Where:

t = Pulse period (in seconds)

f_{EXT} = External timer clock frequency (in hertz)

When the value of the counter is equal to the value of the contents of the OC1R register, the OLVL1 bit is output on the OCMP1 pin, (See Figure 40).

Notes:

1. The OCF1 bit cannot be set by hardware in one pulse mode but the OCF2 bit can generate an Output Compare interrupt.
2. When the Pulse Width Modulation (PWM) and One Pulse Mode (OPM) bits are both set, the PWM mode is the only active one.
3. If OLVL1=OLVL2 a continuous signal will be seen on the OCMP1 pin.
4. The ICAP1 pin can not be used to perform input capture. The ICAP2 pin can be used to perform input capture (ICF2 can be set and IC2R can be loaded) but the user must take care that the counter is reset each time a valid edge occurs on the ICAP1 pin and ICF1 can also generates interrupt if ICIE is set.
5. When one pulse mode is used OC1R is dedicated to this mode. Nevertheless OC2R and OCF2 can be used to indicate a period of time has been elapsed but cannot generate an output waveform because the level OLVL2 is dedicated to the one pulse mode.

16-BIT TIMER (Cont'd)

Figure 40. One Pulse Mode Timing Example

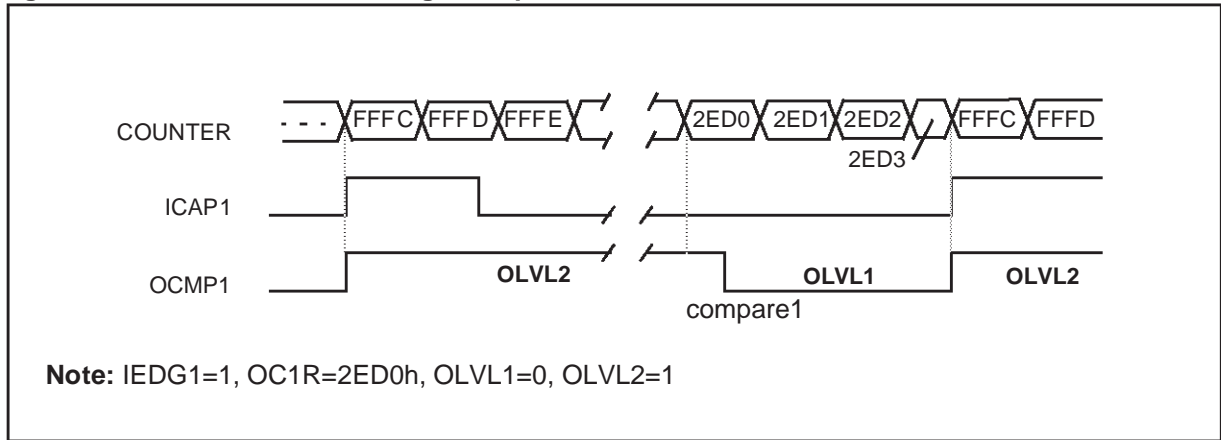
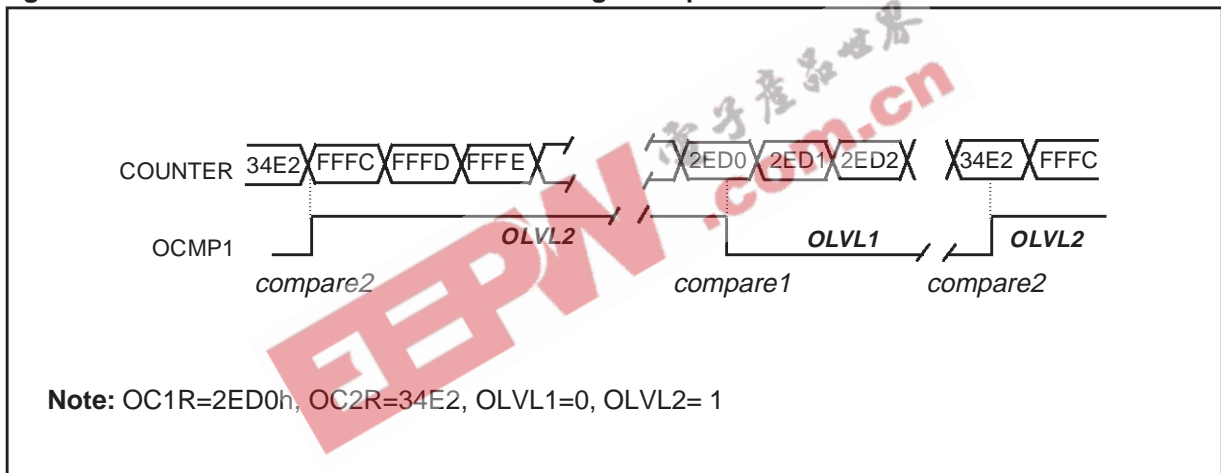


Figure 41. Pulse Width Modulation Mode Timing Example



16-BIT TIMER (Cont'd)

13.3.3.6 Pulse Width Modulation Mode

Pulse Width Modulation (PWM) mode enables the generation of a signal with a frequency and pulse length determined by the value of the OC1R and OC2R registers.

The pulse width modulation mode uses the complete Output Compare 1 function plus the OC2R register, and so these functionality can not be used when the PWM mode is activated.

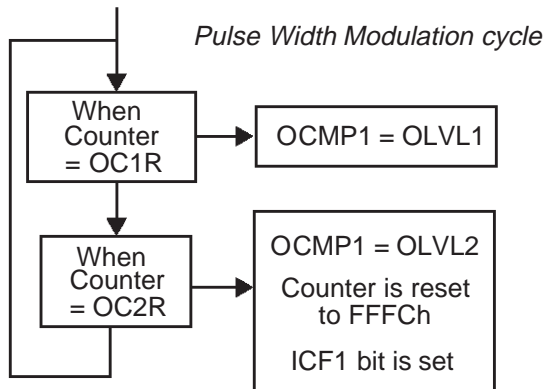
Procedure

To use pulse width modulation mode:

1. Load the OC2R register with the value corresponding to the period of the signal using the formula in the opposite column.
2. Load the OC1R register with the value corresponding to the period of the pulse if (OLVL1=0 and OLVL2=1) using the formula in the opposite column.
3. Select the following in the CR1 register:
 - Using the OLVL1 bit, select the level to be applied to the OCMP1 pin after a successful comparison with OC1R register.
 - Using the OLVL2 bit, select the level to be applied to the OCMP1 pin after a successful comparison with OC2R register.
4. Select the following in the CR2 register:
 - Set OC1E bit: the OCMP1 pin is then dedicated to the output compare 1 function.
 - Set the PWM bit.
 - Select the timer clock (CC[1:0]) (see Table 15 Clock Control Bits).

If OLVL1=1 and OLVL2=0 the length of the positive pulse is the difference between the OC2R and OC1R registers.

If OLVL1=OLVL2 a continuous signal will be seen on the OCMP1 pin.



The OC*i*R register value required for a specific timing application can be calculated using the following formula:

$$OCiR \text{ Value} = \frac{t * f_{CPU}}{PRESC} - 5$$

Where:

t = Signal or pulse period (in seconds)

f_{CPU} = CPU clock frequency (in hertz)

PRESC = Timer prescaler factor (2, 4 or 8 depending on CC[1:0] bits, see Table 15 Clock Control Bits)

If the timer clock is an external clock the formula is:

$$OCiR = t * f_{EXT} - 5$$

Where:

t = Signal or pulse period (in seconds)

f_{EXT} = External timer clock frequency (in hertz)

The Output Compare 2 event causes the counter to be initialized to FFFCh (See Figure 41)

Notes:

1. After a write instruction to the OC*i*HR register, the output compare function is inhibited until the OC*i*LR register is also written.
2. The OCF1 and OCF2 bits cannot be set by hardware in PWM mode therefore the Output Compare interrupt is inhibited.
3. The ICF1 bit is set by hardware when the counter reaches the OC2R value and can produce a timer interrupt if the ICIE bit is set and the I bit is cleared.
4. In PWM mode the ICAP1 pin can not be used to perform input capture because it is disconnected to the timer. The ICAP2 pin can be used to perform input capture (ICF2 can be set and IC2R can be loaded) but the user must take care that the counter is reset each period and ICF1 can also generates interrupt if ICIE is set.
5. When the Pulse Width Modulation (PWM) and One Pulse Mode (OPM) bits are both set, the PWM mode is the only active one.

16-BIT TIMER (Cont'd)

13.3.4 Low Power Modes

| Mode | Description |
|------|--|
| WAIT | No effect on 16-bit Timer. Timer interrupts cause the device to exit from WAIT mode. |
| HALT | 16-bit Timer registers are frozen. In HALT mode, the counter stops counting until Halt mode is exited. Counting resumes from the previous count when the MCU is woken up by an interrupt with "exit from HALT mode" capability or from the counter reset value when the MCU is woken up by a RESET. If an input capture event occurs on the ICAP <i>i</i> pin, the input capture detection circuitry is armed. Consequently, when the MCU is woken up by an interrupt with "exit from HALT mode" capability, the ICF <i>i</i> bit is set, and the counter value present when exiting from HALT mode is captured into the IC <i>i</i> R register. |

13.3.5 Interrupts

| Interrupt Event | Event Flag | Enable Control Bit | Exit from Wait | Exit from Halt |
|--|------------|--------------------|----------------|----------------|
| Input Capture 1 event/Counter reset in PWM mode | ICF1 | ICIE | Yes | No |
| Input Capture 2 event | ICF2 | | Yes | No |
| Output Compare 1 event (not available in PWM mode) | OCF1 | OCIE | Yes | No |
| Output Compare 2 event (not available in PWM mode) | OCF2 | | Yes | No |
| Timer Overflow event | TOF | TOIE | Yes | No |

Note: The 16-bit Timer interrupt events are connected to the same interrupt vector (see Interrupts chapter). These events generate an interrupt if the corresponding Enable Control Bit is set and the interrupt mask in the CC register is reset (RIM instruction).

13.3.6 Summary of Timer modes

| MODES | AVAILABLE RESOURCES | | | |
|-----------------------------|---------------------|-------------------------------|------------------|-------------------------|
| | Input Capture 1 | Input Capture 2 | Output Compare 1 | Output Compare 2 |
| Input Capture (1 and/or 2) | Yes | Yes | Yes | Yes |
| Output Compare (1 and/or 2) | Yes | Yes | Yes | Yes |
| One Pulse Mode | No | Not Recommended ¹⁾ | No | Partially ²⁾ |
| PWM Mode | No | Not Recommended ³⁾ | No | No |

¹⁾ See note 4 in Section 13.3.3.5 "One Pulse Mode" on page 61

²⁾ See note 5 in Section 13.3.3.5 "One Pulse Mode" on page 61

³⁾ See note 4 in Section 13.3.3.6 "Pulse Width Modulation Mode" on page 63

16-BIT TIMER (Cont'd)

13.3.7 Register Description

Each Timer is associated with three control and status registers, and with six pairs of data registers (16-bit values) relating to the two input captures, the two output compares, the counter and the alternate counter.

CONTROL REGISTER 1 (CR1)

Read/Write

Reset Value: 0000 0000 (00h)

| | | | | | | | |
|------|------|------|-------|-------|-------|-------|-------|
| 7 | | | | | | | 0 |
| ICIE | OCIE | TOIE | FOLV2 | FOLV1 | OLVL2 | IEDG1 | OLVL1 |

Bit 7 = **ICIE** *Input Capture Interrupt Enable*.
 0: Interrupt is inhibited.
 1: A timer interrupt is generated whenever the ICF1 or ICF2 bit of the SR register is set.

Bit 6 = **OCIE** *Output Compare Interrupt Enable*.
 0: Interrupt is inhibited.
 1: A timer interrupt is generated whenever the OCF1 or OCF2 bit of the SR register is set.

Bit 5 = **TOIE** *Timer Overflow Interrupt Enable*.
 0: Interrupt is inhibited.
 1: A timer interrupt is enabled whenever the TOF bit of the SR register is set.

Bit 4 = **FOLV2** *Forced Output Compare 2*.
 This bit is set and cleared by software.
 0: No effect on the OCMP2 pin.
 1: Forces the OLVL2 bit to be copied to the OCMP2 pin, if the OC2E bit is set and even if there is no successful comparison.

Bit 3 = **FOLV1** *Forced Output Compare 1*.
 This bit is set and cleared by software.
 0: No effect on the OCMP1 pin.
 1: Forces OLVL1 to be copied to the OCMP1 pin, if the OC1E bit is set and even if there is no successful comparison.

Bit 2 = **OLVL2** *Output Level 2*.
 This bit is copied to the OCMP2 pin whenever a successful comparison occurs with the OC2R register and OCxE is set in the CR2 register. This value is copied to the OCMP1 pin in One Pulse Mode and Pulse Width Modulation mode.

Bit 1 = **IEDG1** *Input Edge 1*.
 This bit determines which type of level transition on the ICAP1 pin will trigger the capture.
 0: A falling edge triggers the capture.
 1: A rising edge triggers the capture.

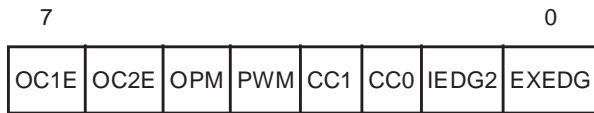
Bit 0 = **OLVL1** *Output Level 1*.
 The OLVL1 bit is copied to the OCMP1 pin whenever a successful comparison occurs with the OC1R register and the OC1E bit is set in the CR2 register.

16-BIT TIMER (Cont'd)

CONTROL REGISTER 2 (CR2)

Read/Write

Reset Value: 0000 0000 (00h)



Bit 7 = **OC1E** *Output Compare 1 Pin Enable*.
 This bit is used only to output the signal from the timer on the OCMP1 pin (OLV1 in Output Compare mode, both OLV1 and OLV2 in PWM and one-pulse mode). Whatever the value of the OC1E bit, the internal Output Compare 1 function of the timer remains active.
 0: OCMP1 pin alternate function disabled (I/O pin free for general-purpose I/O).
 1: OCMP1 pin alternate function enabled.

Bit 6 = **OC2E** *Output Compare 2 Pin Enable*.
 This bit is used only to output the signal from the timer on the OCMP2 pin (OLV2 in Output Compare mode). Whatever the value of the OC2E bit, the internal Output Compare 2 function of the timer remains active.
 0: OCMP2 pin alternate function disabled (I/O pin free for general-purpose I/O).
 1: OCMP2 pin alternate function enabled.

Bit 5 = **OPM** *One Pulse Mode*.
 0: One Pulse Mode is not active.
 1: One Pulse Mode is active, the ICAP1 pin can be used to trigger one pulse on the OCMP1 pin; the active transition is given by the IEDG1 bit. The length of the generated pulse depends on the contents of the OC1R register.

Bit 4 = **PWM** *Pulse Width Modulation*.
 0: PWM mode is not active.
 1: PWM mode is active, the OCMP1 pin outputs a programmable cyclic signal; the length of the pulse depends on the value of OC1R register; the period depends on the value of OC2R register.

Bit 3, 2 = **CC[1:0]** *Clock Control*.
 The timer clock mode depends on these bits:

Table 15. Clock Control Bits

| Timer Clock | CC1 | CC0 |
|----------------------------------|-----|-----|
| $f_{CPU} / 4$ | 0 | 0 |
| $f_{CPU} / 2$ | 0 | 1 |
| $f_{CPU} / 8$ | 1 | 0 |
| External Clock (where available) | 1 | 1 |

Note: If the external clock pin is not available, programming the external clock configuration stops the counter.

Bit 1 = **IEDG2** *Input Edge 2*.
 This bit determines which type of level transition on the ICAP2 pin will trigger the capture.
 0: A falling edge triggers the capture.
 1: A rising edge triggers the capture.

Bit 0 = **EXEDG** *External Clock Edge*.
 This bit determines which type of level transition on the external clock pin EXTCLK will trigger the counter register.
 0: A falling edge triggers the counter register.
 1: A rising edge triggers the counter register.

16-BIT TIMER (Cont'd)**STATUS REGISTER (SR)**

Read Only

Reset Value: 0000 0000 (00h)

The three least significant bits are not used.

| | | | | | | | |
|------|------|-----|------|------|---|---|---|
| 7 | | | | | | | 0 |
| ICF1 | OCF1 | TOF | ICF2 | OCF2 | 0 | 0 | 0 |

Bit 7 = **ICF1** *Input Capture Flag 1*.

0: No input capture (reset value).

1: An input capture has occurred on the ICAP1 pin or the counter has reached the OC2R value in PWM mode. To clear this bit, first read the SR register, then read or write the low byte of the IC1R (IC1LR) register.

Bit 6 = **OCF1** *Output Compare Flag 1*.

0: No match (reset value).

1: The content of the free running counter has matched the content of the OC1R register. To clear this bit, first read the SR register, then read or write the low byte of the OC1R (OC1LR) register.

Bit 5 = **TOF** *Timer Overflow Flag*.

0: No timer overflow (reset value).

1: The free running counter rolled over from FFFFh to 0000h. To clear this bit, first read the SR register, then read or write the low byte of the CR (CLR) register.

Note: Reading or writing the ACLR register does not clear TOF.Bit 4 = **ICF2** *Input Capture Flag 2*.

0: No input capture (reset value).

1: An input capture has occurred on the ICAP2 pin. To clear this bit, first read the SR register, then read or write the low byte of the IC2R (IC2LR) register.

Bit 3 = **OCF2** *Output Compare Flag 2*.

0: No match (reset value).

1: The content of the free running counter has matched the content of the OC2R register. To clear this bit, first read the SR register, then read or write the low byte of the OC2R (OC2LR) register.

Bit 2-0 = Reserved, forced by hardware to 0.

INPUT CAPTURE 1 HIGH REGISTER (IC1HR)

Read Only

Reset Value: Undefined

This is an 8-bit read only register that contains the high part of the counter value (transferred by the input capture 1 event).

| | | | | | | | |
|-----|--|--|--|--|--|--|-----|
| 7 | | | | | | | 0 |
| MSB | | | | | | | LSB |

INPUT CAPTURE 1 LOW REGISTER (IC1LR)

Read Only

Reset Value: Undefined

This is an 8-bit read only register that contains the low part of the counter value (transferred by the input capture 1 event).

| | | | | | | | |
|-----|--|--|--|--|--|--|-----|
| 7 | | | | | | | 0 |
| MSB | | | | | | | LSB |

OUTPUT COMPARE 1 HIGH REGISTER (OC1HR)

Read/Write

Reset Value: 1000 0000 (80h)

This is an 8-bit register that contains the high part of the value to be compared to the CHR register.

| | | | | | | | |
|-----|--|--|--|--|--|--|-----|
| 7 | | | | | | | 0 |
| MSB | | | | | | | LSB |

OUTPUT COMPARE 1 LOW REGISTER (OC1LR)

Read/Write

Reset Value: 0000 0000 (00h)

This is an 8-bit register that contains the low part of the value to be compared to the CLR register.

| | | | | | | | |
|-----|--|--|--|--|--|--|-----|
| 7 | | | | | | | 0 |
| MSB | | | | | | | LSB |

16-BIT TIMER (Cont'd)

OUTPUT COMPARE 2 HIGH REGISTER (OC2HR)

Read/Write
Reset Value: 1000 0000 (80h)

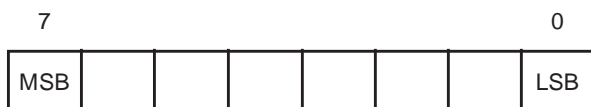
This is an 8-bit register that contains the high part of the value to be compared to the CHR register.



OUTPUT COMPARE 2 LOW REGISTER (OC2LR)

Read/Write
Reset Value: 0000 0000 (00h)

This is an 8-bit register that contains the low part of the value to be compared to the CLR register.



COUNTER HIGH REGISTER (CHR)

Read Only
Reset Value: 1111 1111 (FFh)

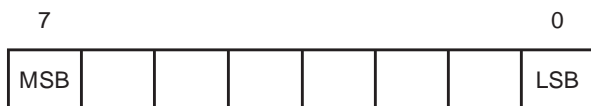
This is an 8-bit register that contains the high part of the counter value.



COUNTER LOW REGISTER (CLR)

Read Only
Reset Value: 1111 1100 (FCh)

This is an 8-bit register that contains the low part of the counter value. A write to this register resets the counter. An access to this register after accessing the SR register clears the TOF bit.



ALTERNATE COUNTER HIGH REGISTER (ACHR)

Read Only
Reset Value: 1111 1111 (FFh)

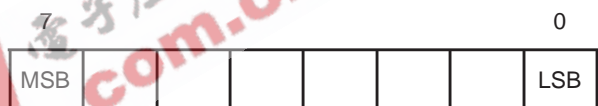
This is an 8-bit register that contains the high part of the counter value.



ALTERNATE COUNTER LOW REGISTER (ACLRL)

Read Only
Reset Value: 1111 1100 (FCh)

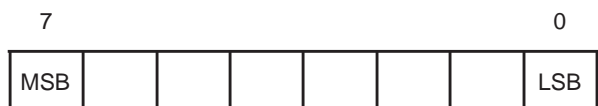
This is an 8-bit register that contains the low part of the counter value. A write to this register resets the counter. An access to this register after an access to SR register does not clear the TOF bit in SR register.



INPUT CAPTURE 2 HIGH REGISTER (IC2HR)

Read Only
Reset Value: Undefined

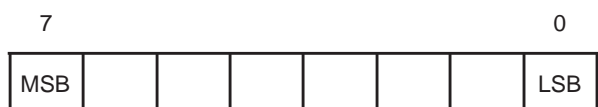
This is an 8-bit read only register that contains the high part of the counter value (transferred by the Input Capture 2 event).



INPUT CAPTURE 2 LOW REGISTER (IC2LR)

Read Only
Reset Value: Undefined

This is an 8-bit read only register that contains the low part of the counter value (transferred by the Input Capture 2 event).



16-BIT TIMER (Cont'd)

Table 16. 16-Bit Timer Register Map and Reset Values

| Address (Hex.) | Register Label | 7 | 6 | 5 | 4 | 3 | 2 | 1 | 0 |
|----------------------------|-----------------------------|-----------|-----------|-----------|------------|------------|------------|------------|------------|
| Timer A: 32 Timer B: 42 | CR1 Reset Value | ICIE 0 | OCIE 0 | TOIE 0 | FOLV2 0 | FOLV1 0 | OLVL2 0 | IEDG1 0 | OLVL1 0 |
| Timer A: 31 Timer B: 41 | CR2 Reset Value | OC1E 0 | OC2E 0 | OPM 0 | PWM 0 | CC1 0 | CC0 0 | IEDG2 0 | EXEDG 0 |
| Timer A: 33 Timer B: 43 | SR Reset Value | ICF1 0 | OCF1 0 | TOF 0 | ICF2 0 | OCF2 0 | - 0 | - 0 | - 0 |
| Timer A: 34 Timer B: 44 | ICHR1 Reset Value | MSB - | - | - | - | - | - | - | LSB - |
| Timer A: 35 Timer B: 45 | ICLR1 Reset Value | MSB - | - | - | - | - | - | - | LSB - |
| Timer A: 36 Timer B: 46 | OCHR1 Reset Value | MSB - | - | - | - | - | - | - | LSB - |
| Timer A: 37 Timer B: 47 | OCLR1 Reset Value | MSB - | - | - | - | - | - | - | LSB - |
| Timer A: 3E Timer B: 4E | OCHR2 Reset Value | MSB - | - | - | - | - | - | - | LSB - |
| Timer A: 3F Timer B: 4F | OCLR2 Reset Value | MSB - | - | - | - | - | - | - | LSB - |
| Timer A: 38 Timer B: 48 | CHR Reset Value | MSB 1 | 1 | 1 | 1 | 1 | 1 | 1 | LSB 1 |
| Timer A: 39 Timer B: 49 | CLR Reset Value | MSB 1 | 1 | 1 | 1 | 1 | 1 | 0 | LSB 0 |
| Timer A: 3A Timer B: 4A | ACHR Reset Value | MSB 1 | 1 | 1 | 1 | 1 | 1 | 1 | LSB 1 |
| Timer A: 3B Timer B: 4B | ACLR Reset Value | MSB 1 | 1 | 1 | 1 | 1 | 1 | 0 | LSB 0 |
| Timer A: 3C Timer B: 4C | ICHR2 Reset Value | MSB - | - | - | - | - | - | - | LSB - |
| Timer A: 3D Timer B: 4D | ICLR2 Reset Value | MSB - | - | - | - | - | - | - | LSB - |

13.4 SERIAL PERIPHERAL INTERFACE (SPI)

13.4.1 Introduction

The Serial Peripheral Interface (SPI) allows full-duplex, synchronous, serial communication with external devices. An SPI system may consist of a master and one or more slaves or a system in which devices may be either masters or slaves.

The SPI is normally used for communication between the microcontroller and external peripherals or another microcontroller.

Refer to the Pin Description chapter for the device-specific pin-out.

13.4.2 Main Features

- Full duplex, three-wire synchronous transfers
- Master or slave operation
- Four master mode frequencies
- Maximum slave mode frequency = fCPU/2.
- Four programmable master bit rates
- Programmable clock polarity and phase
- End of transfer interrupt flag
- Write collision flag protection
- Master mode fault protection capability.

13.4.3 General description

The SPI is connected to external devices through 4 alternate pins:

- MISO: Master In Slave Out pin
- MOSI: Master Out Slave In pin
- SCK: Serial Clock pin
- \overline{SS} : Slave select pin

A basic example of interconnections between a single master and a single slave is illustrated on Figure 42.

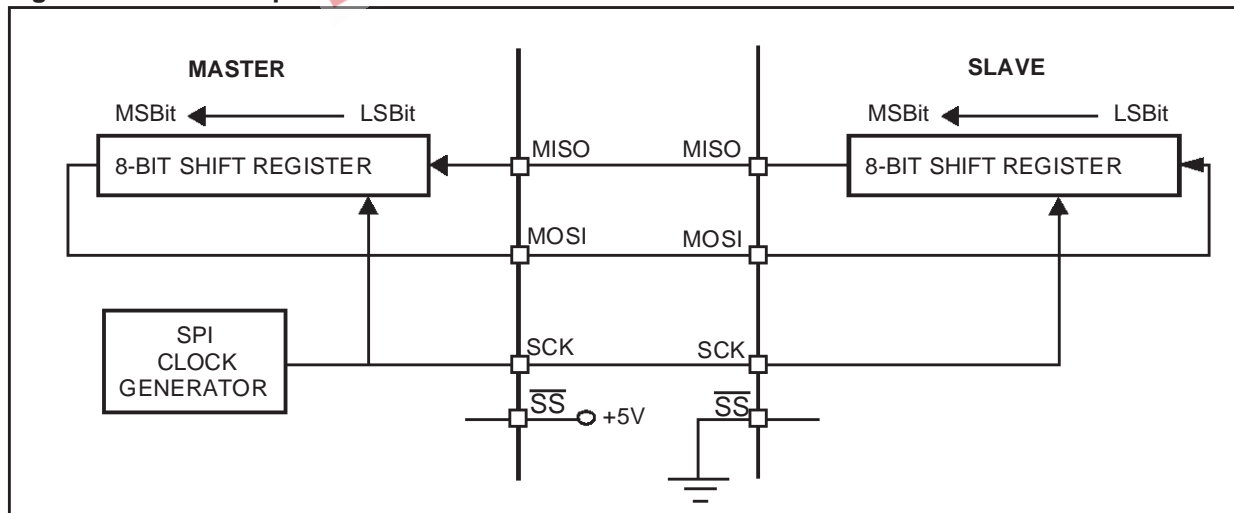
The MOSI pins are connected together as are MISO pins. In this way data is transferred serially between master and slave (most significant bit first).

When the master device transmits data to a slave device via MOSI pin, the slave device responds by sending data to the master device via the MISO pin. This implies full duplex transmission with both data out and data in synchronized with the same clock signal (which is provided by the master device via the SCK pin).

Thus, the byte transmitted is replaced by the byte received and eliminates the need for separate transmit-empty and receiver-full bits. A status flag is used to indicate that the I/O operation is complete.

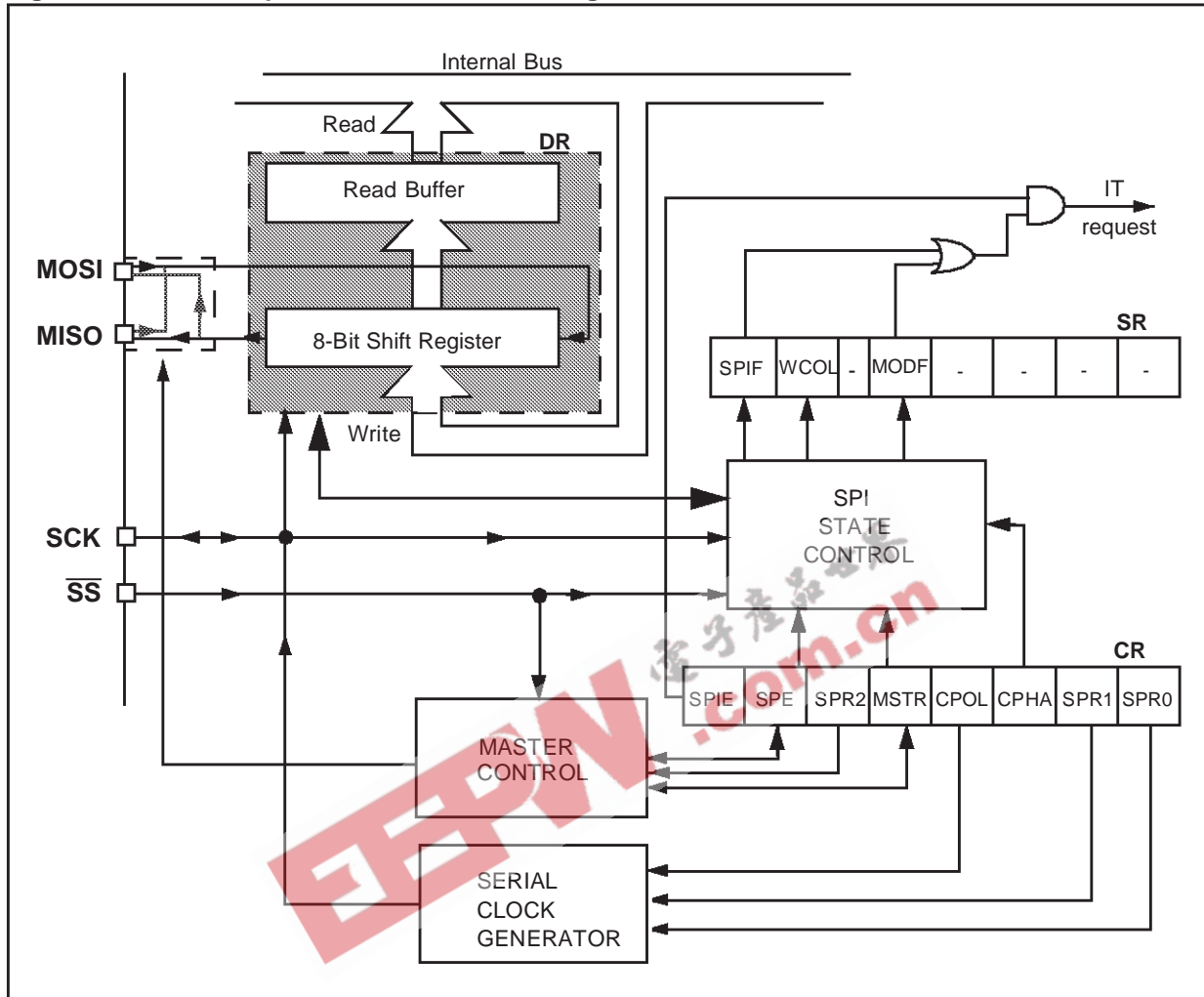
Four possible data/clock timing relationships may be chosen (see Figure 45) but master and slave must be programmed with the same timing mode.

Figure 42. Serial Peripheral Interface Master/Slave



SERIAL PERIPHERAL INTERFACE (Cont'd)

Figure 43. Serial Peripheral Interface Block Diagram



SERIAL PERIPHERAL INTERFACE (Cont'd)

13.4.4 Functional Description

Figure 42 shows the serial peripheral interface (SPI) block diagram.

This interface contains 3 dedicated registers:

- A Control Register (CR)
- A Status Register (SR)
- A Data Register (DR)

Refer to the CR, SR and DR registers in Section 13.4.7 for the bit definitions.

13.4.4.1 Master Configuration

In a master configuration, the serial clock is generated on the SCK pin.

Procedure

- Select the SPR0 & SPR1 bits to define the serial clock baud rate (see CR register).
- Select the CPOL and CPHA bits to define one of the four relationships between the data transfer and the serial clock (see Figure 45).
- The \overline{SS} pin must be connected to a high level signal during the complete byte transmit sequence.
- The MSTR and SPE bits must be set (they remain set only if the \overline{SS} pin is connected to a high level signal).

In this configuration the MOSI pin is a data output and to the MISO pin is a data input.

Transmit sequence

The transmit sequence begins when a byte is written to the DR register.

The data byte is parallel loaded into the 8-bit shift register (from the internal bus) during a write cycle and then shifted out serially to the MOSI pin most significant bit first.

When data transfer is complete:

- The SPIF bit is set by hardware
- An interrupt is generated if the SPIE bit is set and the I bit in the CCR register is cleared.

During the last clock cycle the SPIF bit is set, a copy of the data byte received in the shift register is moved to a buffer. When the DR register is read, the SPI peripheral returns this buffered value.

Clearing the SPIF bit is performed by the following software sequence:

1. An access to the SR register while the SPIF bit is set
2. A read to the DR register.

Note: While the SPIF bit is set, all writes to the DR register are inhibited until the SR register is read.

SERIAL PERIPHERAL INTERFACE (Cont'd)**13.4.4.2 Slave Configuration**

In slave configuration, the serial clock is received on the SCK pin from the master device.

The value of the SPR0 & SPR1 bits is not used for the data transfer.

Procedure

- For correct data transfer, the slave device must be in the same timing mode as the master device (CPOL and CPHA bits). See Figure 45.
- The \overline{SS} pin must be connected to a low level signal during the complete byte transmit sequence.
- Clear the MSTR bit and set the SPE bit to assign the pins to alternate function.

In this configuration the MOSI pin is a data input and the MISO pin is a data output.

Transmit Sequence

The data byte is parallel loaded into the 8-bit shift register (from the internal bus) during a write cycle and then shifted out serially to the MISO pin most significant bit first.

The transmit sequence begins when the slave device receives the clock signal and the most significant bit of the data on its MOSI pin.

When data transfer is complete:

- The SPIF bit is set by hardware
- An interrupt is generated if SPIE bit is set and I bit in CCR register is cleared.

During the last clock cycle the SPIF bit is set, a copy of the data byte received in the shift register is moved to a buffer. When the DR register is read, the SPI peripheral returns this buffered value.

Clearing the SPIF bit is performed by the following software sequence:

1. An access to the SR register while the SPIF bit is set.
2. A read to the DR register.

Notes: While the SPIF bit is set, all writes to the DR register are inhibited until the SR register is read.

The SPIF bit can be cleared during a second transmission; however, it must be cleared before the second SPIF bit in order to prevent an overrun condition (see Section 13.4.4.6).

Depending on the CPHA bit, the \overline{SS} pin has to be set to write to the DR register between each data byte transfer to avoid a write collision (see Section 13.4.4.4).

SERIAL PERIPHERAL INTERFACE (Cont'd)

13.4.4.3 Data Transfer Format

During an SPI transfer, data is simultaneously transmitted (shifted out serially) and received (shifted in serially). The serial clock is used to synchronize the data transfer during a sequence of eight clock pulses.

The \overline{SS} pin allows individual selection of a slave device; the other slave devices that are not selected do not interfere with the SPI transfer.

Clock Phase and Clock Polarity

Four possible timing relationships may be chosen by software, using the CPOL and CPHA bits.

The CPOL (clock polarity) bit controls the steady state value of the clock when no data is being transferred. This bit affects both master and slave modes.

The combination between the CPOL and CPHA (clock phase) bits selects the data capture clock edge.

Figure 45, shows an SPI transfer with the four combinations of the CPHA and CPOL bits. The diagram may be interpreted as a master or slave timing diagram where the SCK pin, the MISO pin, the MOSI pin are directly connected between the master and the slave device.

The \overline{SS} pin is the slave device select input and can be driven by the master device.

The master device applies data to its MOSI pin-clock edge before the capture clock edge.

CPHA bit is set

The second edge on the SCK pin (falling edge if the CPOL bit is reset, rising edge if the CPOL bit is set) is the MSBit capture strobe. Data is latched on the occurrence of the second clock transition.

No write collision should occur even if the \overline{SS} pin stays low during a transfer of several bytes (see Figure 44).

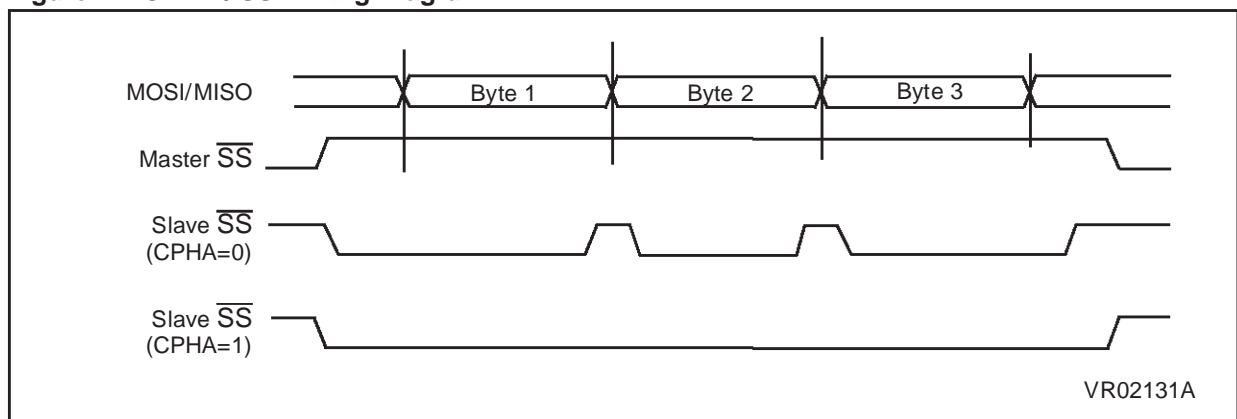
CPHA bit is reset

The first edge on the SCK pin (falling edge if CPOL bit is set, rising edge if CPOL bit is reset) is the MSBit capture strobe. Data is latched on the occurrence of the first clock transition.

The \overline{SS} pin must be toggled high and low between each byte transmitted (see Figure 44).

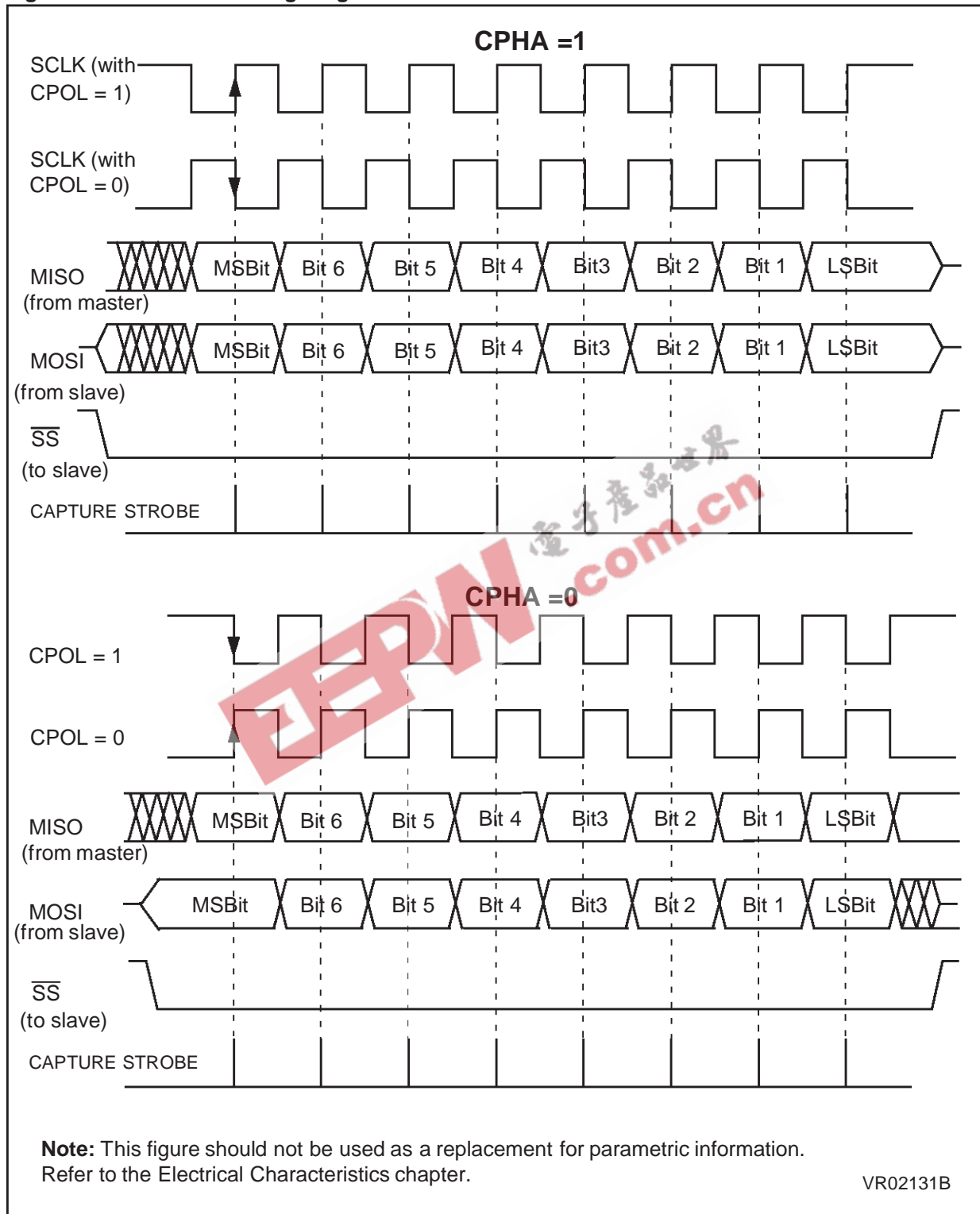
To protect the transmission from a write collision a low value on the \overline{SS} pin of a slave device freezes the data in its DR register and does not allow it to be altered. Therefore the \overline{SS} pin must be high to write a new data byte in the DR without producing a write collision.

Figure 44. CPHA / \overline{SS} Timing Diagram



SERIAL PERIPHERAL INTERFACE (Cont'd)

Figure 45. Data Clock Timing Diagram



SERIAL PERIPHERAL INTERFACE (Cont'd)

13.4.4.4 Write Collision Error

A write collision occurs when the software tries to write to the DR register while a data transfer is taking place with an external device. When this happens, the transfer continues uninterrupted; and the software write will be unsuccessful.

Write collisions can occur both in master and slave mode.

Note: a "read collision" will never occur since the received data byte is placed in a buffer in which access is always synchronous with the MCU operation.

In Slave mode

When the CPHA bit is set:

The slave device will receive a clock (SCK) edge prior to the latch of the first data transfer. This first clock edge will freeze the data in the slave device DR register and output the MSBit on to the external MISO pin of the slave device.

The \overline{SS} pin low state enables the slave device but the output of the MSBit onto the MISO pin does not take place until the first data transfer clock edge.

When the CPHA bit is reset:

Data is latched on the occurrence of the first clock transition. The slave device does not have any way of knowing when that transition will occur; therefore, the slave device collision occurs when software attempts to write the DR register after its \overline{SS} pin has been pulled low.

For this reason, the \overline{SS} pin must be high, between each data byte transfer, to allow the CPU to write in the DR register without generating a write collision.

In Master mode

Collision in the master device is defined as a write of the DR register while the internal serial clock (SCK) is in the process of transfer.

The \overline{SS} pin signal must be always high on the master device.

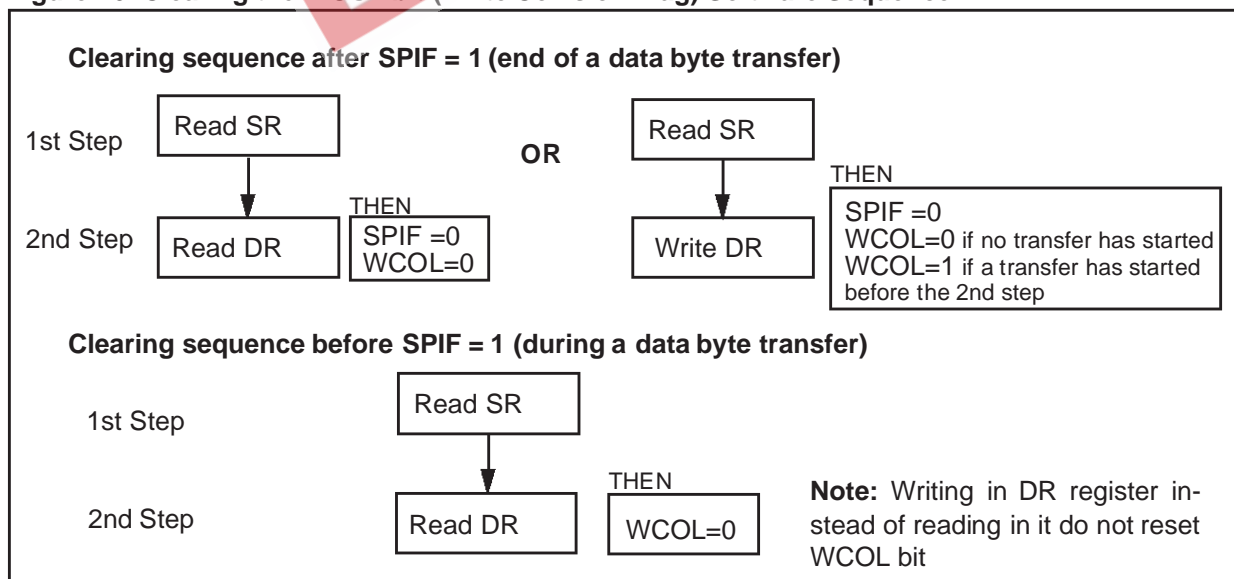
WCOL bit

The WCOL bit in the SR register is set if a write collision occurs.

No SPI interrupt is generated when the WCOL bit is set (the WCOL bit is a status flag only).

Clearing the WCOL bit is done through a software sequence (see Figure 46).

Figure 46. Clearing the WCOL bit (Write Collision Flag) Software Sequence



SERIAL PERIPHERAL INTERFACE (Cont'd)**13.4.4.5 Master Mode Fault**

Master mode fault occurs when the master device has its \overline{SS} pin pulled low, then the MODF bit is set.

Master mode fault affects the SPI peripheral in the following ways:

- The MODF bit is set and an SPI interrupt is generated if the SPIE bit is set.
- The SPE bit is reset. This blocks all output from the device and disables the SPI peripheral.
- The MSTR bit is reset, thus forcing the device into slave mode.

Clearing the MODF bit is done through a software sequence:

1. A read or write access to the SR register while the MODF bit is set.
2. A write to the CR register.

Notes: To avoid any multiple slave conflicts in the case of a system comprising several MCUs, the \overline{SS} pin must be pulled high during the clearing sequence of the MODF bit. The SPE and MSTR bits

may be restored to their original state during or after this clearing sequence.

Hardware does not allow the user to set the SPE and MSTR bits while the MODF bit is set except in the MODF bit clearing sequence.

In a slave device the MODF bit can not be set, but in a multi master configuration the device can be in slave mode with this MODF bit set.

The MODF bit indicates that there might have been a multi-master conflict for system control and allows a proper exit from system operation to a reset or default system state using an interrupt routine.

13.4.4.6 Overrun Condition

An overrun condition occurs when the master device has sent several data bytes and the slave device has not cleared the SPIF bit issuing from the previous data byte transmitted.

In this case, the receiver buffer contains the byte sent after the SPIF bit was last cleared. A read to the DR register returns this byte. All other bytes are lost.

This condition is not detected by the SPI peripheral.

SERIAL PERIPHERAL INTERFACE (Cont'd)

13.4.4.7 Single Master and Multimaster Configurations

There are two types of SPI systems:

- Single Master System
- Multimaster System

Single Master System

A typical single master system may be configured, using an MCU as the master and four MCUs as slaves (see Figure 47).

The master device selects the individual slave devices by using four pins of a parallel port to control the four \overline{SS} pins of the slave devices.

The \overline{SS} pins are pulled high during reset since the master device ports will be forced to be inputs at that time, thus disabling the slave devices.

Note: To prevent a bus conflict on the MISO line the master allows only one active slave device during a transmission.

For more security, the slave device may respond to the master with the received data byte. Then the master will receive the previous byte back from the slave device if all MISO and MOSI pins are connected and the slave has not written its DR register.

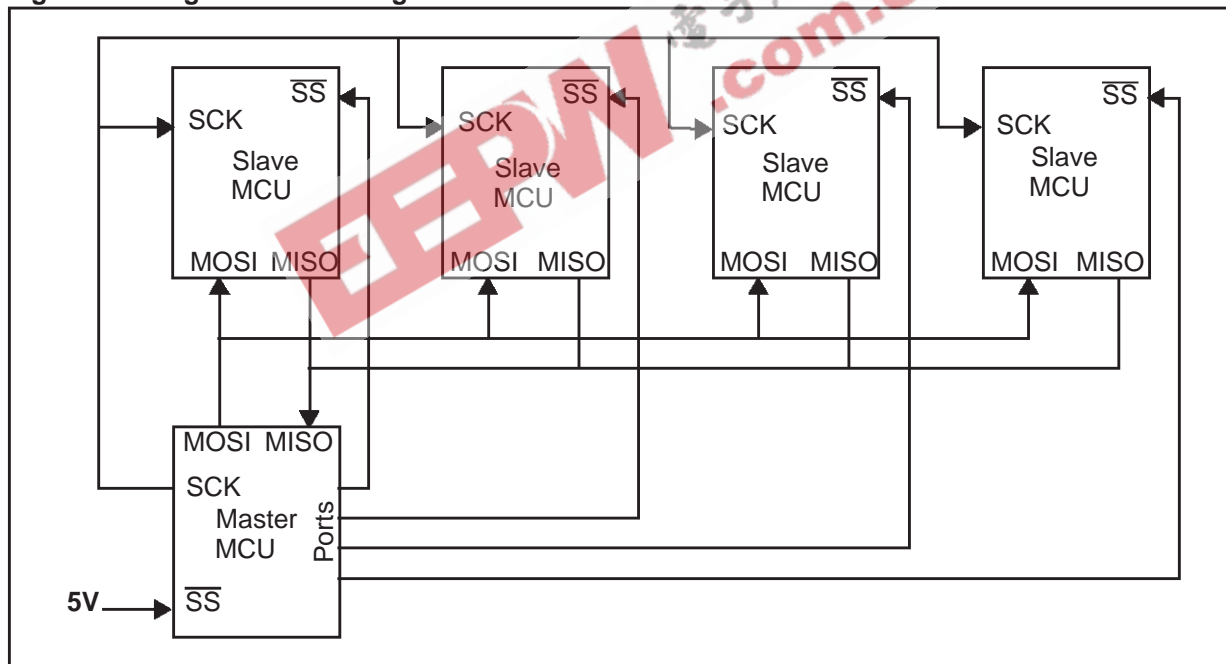
Other transmission security methods can use ports for handshake lines or data bytes with command fields.

Multi-master System

A multi-master system may also be configured by the user. Transfer of master control could be implemented using a handshake method through the I/O ports or by an exchange of code messages through the serial peripheral interface system.

The multi-master system is principally handled by the MSTR bit in the CR register and the MODF bit in the SR register.

Figure 47. Single Master Configuration



SERIAL PERIPHERAL INTERFACE (Cont'd)

13.4.5 Low Power Modes

| Mode | Description |
|------|---|
| WAIT | No effect on SPI. SPI interrupt events cause the device to exit from WAIT mode. |
| HALT | SPI registers are frozen. In HALT mode, the SPI is inactive. SPI operation resumes when the MCU is woken up by an interrupt with "exit from HALT mode" capability. |

13.4.6 Interrupts

| Interrupt Event | Event Flag | Enable Control Bit | Exit from Wait | Exit from Halt |
|---------------------------|------------|--------------------|----------------|----------------|
| SPI End of Transfer Event | SPIF | SPIE | Yes | No |
| Master Mode Fault Event | MODF | | Yes | No |

Note: The SPI interrupt events are connected to the same interrupt vector (see Interrupts chapter). They generate an interrupt if the corresponding Enable Control Bit is set and the interrupt mask in the CC register is reset (RIM instruction).

EEPW.com.cn 电子產品世界

SERIAL PERIPHERAL INTERFACE (Cont'd)

13.4.7 Register Description

CONTROL REGISTER (CR)

Read/Write

Reset Value: 0000xxxx (0xh)

| | | | | | | | | |
|------|-----|------|------|------|------|------|------|---|
| 7 | | | | | | | | 0 |
| SPIE | SPE | SPR2 | MSTR | CPOL | CPHA | SPR1 | SPR0 | |

Bit 7 = **SPIE** *Serial peripheral interrupt enable.*

This bit is set and cleared by software.

0: Interrupt is inhibited

1: An SPI interrupt is generated whenever SPIF=1 or MODF=1 in the SR register

Bit 6 = **SPE** *Serial peripheral output enable.*

This bit is set and cleared by software. It is also cleared by hardware when, in master mode, $\overline{SS}=0$ (see Section 13.4.4.5 "Master Mode Fault" on page 77).

0: I/O port connected to pins

1: SPI alternate functions connected to pins

The SPE bit is cleared by reset, so the SPI peripheral is not initially connected to the external pins.

Bit 5 = **SPR2** *Divider Enable.*

this bit is set and cleared by software and it is cleared by reset. It is used with the SPR[1:0] bits to set the baud rate. Refer to Table 17.

0: Divider by 2 enabled

1: Divider by 2 disabled

Bit 4 = **MSTR** *Master.*

This bit is set and cleared by software. It is also cleared by hardware when, in master mode, $\overline{SS}=0$ (see Section 13.4.4.5 "Master Mode Fault" on page 77).

0: Slave mode is selected

1: Master mode is selected, the function of the SCK pin changes from an input to an output and the functions of the MISO and MOSI pins are reversed.

Bit 3 = **CPOL** *Clock polarity.*

This bit is set and cleared by software. This bit determines the steady state of the serial Clock. The CPOL bit affects both the master and slave modes.

0: The steady state is a low value at the SCK pin.

1: The steady state is a high value at the SCK pin.

Bit 2 = **CPHA** *Clock phase.*

This bit is set and cleared by software.

0: The first clock transition is the first data capture edge.

1: The second clock transition is the first capture edge.

Bit 1:0 = **SPR[1:0]** *Serial peripheral rate.*

These bits are set and cleared by software. Used with the SPR2 bit, they select one of six baud rates to be used as the serial clock when the device is a master.

These 2 bits have no effect in slave mode.

Table 17. Serial Peripheral Baud Rate

| Serial Clock | SPR2 | SPR1 | SPR0 |
|---------------|------|------|------|
| $f_{CPU}/2$ | 1 | 0 | 0 |
| $f_{CPU}/8$ | 0 | 0 | 0 |
| $f_{CPU}/16$ | 0 | 0 | 1 |
| $f_{CPU}/32$ | 1 | 1 | 0 |
| $f_{CPU}/64$ | 0 | 1 | 0 |
| $f_{CPU}/128$ | 0 | 1 | 1 |

SERIAL PERIPHERAL INTERFACE (Cont'd)**STATUS REGISTER (SR)**

Read Only

Reset Value: 0000 0000 (00h)

| | | | | | | | |
|------|------|---|------|---|---|---|---|
| 7 | | | | | | | 0 |
| SPIF | WCOL | - | MODF | - | - | - | - |

Bit 7 = **SPIF** *Serial Peripheral data transfer flag*.
This bit is set by hardware when a transfer has been completed. An interrupt is generated if SPIE=1 in the CR register. It is cleared by a software sequence (an access to the SR register followed by a read or write to the DR register).

0: Data transfer is in progress or has been approved by a clearing sequence.

1: Data transfer between the device and an external device has been completed.

Note: While the SPIF bit is set, all writes to the DR register are inhibited.

Bit 6 = **WCOL** *Write Collision status*.

This bit is set by hardware when a write to the DR register is done during a transmit sequence. It is cleared by a software sequence (see Figure 46).

0: No write collision occurred

1: A write collision has been detected

Bit 5 = Unused.

Bit 4 = **MODF** *Mode Fault flag*.

This bit is set by hardware when the \overline{SS} pin is pulled low in master mode (see Section 13.4.4.5 "Master Mode Fault" on page 77). An SPI interrupt can be generated if SPIE=1 in the CR register. This bit is cleared by a software sequence (An access to the SR register while MODF=1 followed by a write to the CR register).

0: No master mode fault detected

1: A fault in master mode has been detected

Bits 3-0 = Unused.

DATA I/O REGISTER (DR)

Read/Write

Reset Value: Undefined

| | | | | | | | |
|----|----|----|----|----|----|----|----|
| 7 | | | | | | | 0 |
| D7 | D6 | D5 | D4 | D3 | D2 | D1 | D0 |

The DR register is used to transmit and receive data on the serial bus. In the master device only a write to this register will initiate transmission/reception of another byte.

Notes: During the last clock cycle the SPIF bit is set, a copy of the received data byte in the shift register is moved to a buffer. When the user reads the serial peripheral data I/O register, the buffer is actually being read.

Warning:

A write to the DR register places data directly into the shift register for transmission.

A write to the the DR register returns the value located in the buffer and not the contents of the shift register (See Figure 43).

SERIAL PERIPHERAL INTERFACE (Cont'd)

Table 18. SPI Register Map and Reset Values

| Address (Hex.) | Register Label | 7 | 6 | 5 | 4 | 3 | 2 | 1 | 0 |
|----------------|-----------------------------|-----------|-----------|-----------|-----------|-----------|-----------|-----------|-----------|
| 0021h | SPIDR Reset Value | MSB x | x | x | x | x | x | x | LSB x |
| 0022h | SPICR Reset Value | SPIE 0 | SPE 0 | SPR2 0 | MSTR 0 | CPOL x | CPHA x | SPR1 x | SPR0 x |
| 0023h | SPISR Reset Value | SPIF 0 | WCOL 0 | 0 | MODF 0 | 0 | 0 | 0 | 0 |

EEPW.com.cn 电子產品世界

13.5 SERIAL COMMUNICATIONS INTERFACE (SCI)

13.5.1 Introduction

The Serial Communications Interface (SCI) offers a flexible means of full-duplex data exchange with external equipment requiring an industry standard NRZ asynchronous serial data format. The SCI offers a very wide range of baud rates using two baud rate generator systems.

13.5.2 Main Features

- Full duplex, asynchronous communications
- NRZ standard format (Mark/Space)
- Dual baud rate generator systems
- Independently programmable transmit and receive baud rates up to 250K baud.
- Programmable data word length (8 or 9 bits)
- Receive buffer full, Transmit buffer empty and End of Transmission flags
- Two receiver wake-up modes:
 - Address bit (MSB)
 - Idle line
- Muting function for multiprocessor configurations
- Separate enable bits for Transmitter and Receiver
- Three error detection flags:
 - Overrun error
 - Noise error
 - Frame error
- Five interrupt sources with flags:
 - Transmit data register empty
 - Transmission complete
 - Receive data register full
 - Idle line received
 - Overrun error detected

13.5.3 General Description

The interface is externally connected to another device by two pins (see Figure 49):

- TDO: Transmit Data Output. When the transmitter is disabled, the output pin returns to its I/O port configuration. When the transmitter is enabled and nothing is to be transmitted, the TDO pin is at high level.
- RDI: Receive Data Input is the serial data input. Oversampling techniques are used for data recovery by discriminating between valid incoming data and noise.

Through this pins, serial data is transmitted and received as frames comprising:

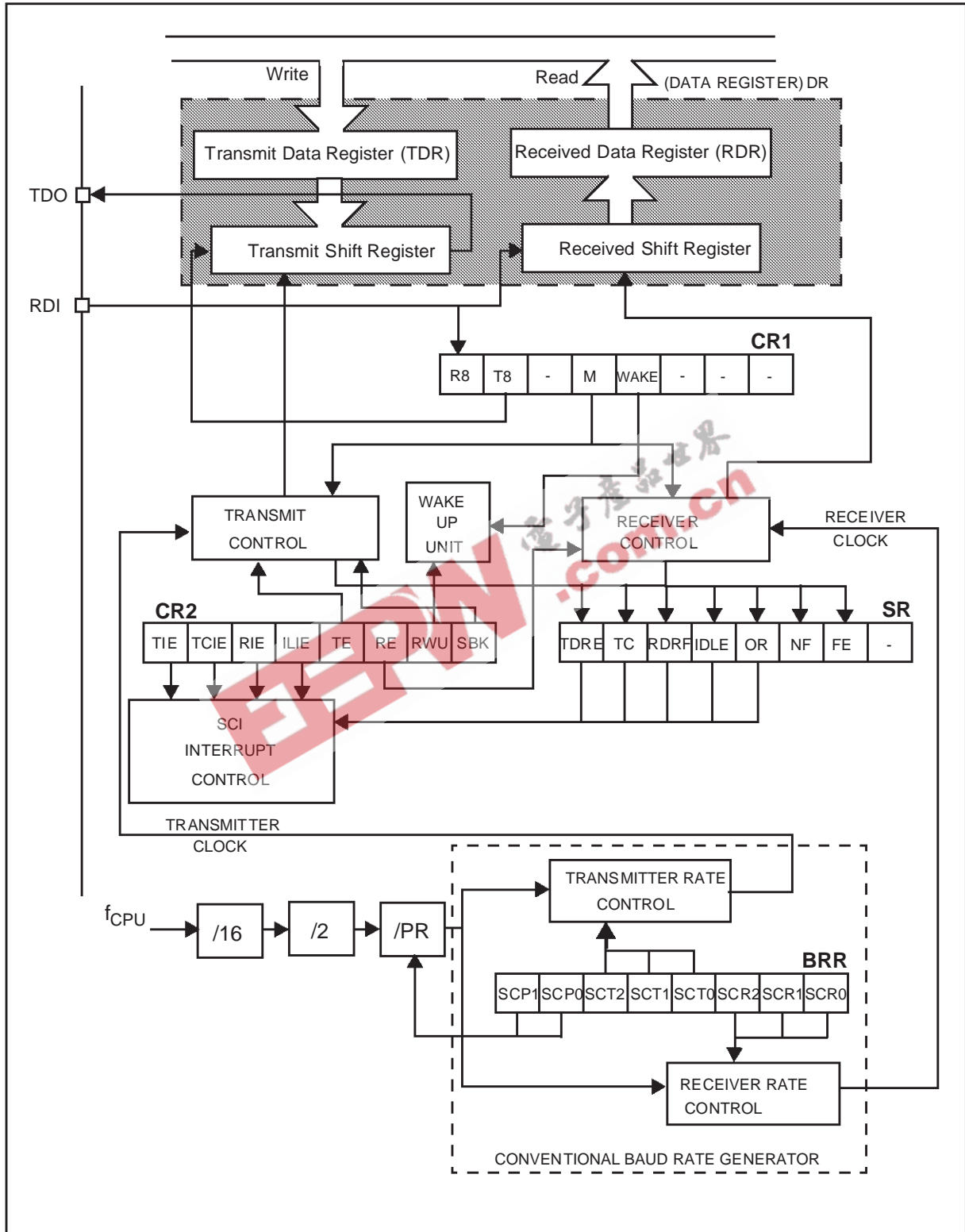
- An Idle Line prior to transmission or reception
- A start bit
- A data word (8 or 9 bits) least significant bit first
- A Stop bit indicating that the frame is complete.

This interface uses two types of baud rate generator:

- A conventional type for commonly-used baud rates.
- An extended type with a prescaler offering a very wide range of baud rates even with non-standard oscillator frequencies.

SERIAL COMMUNICATIONS INTERFACE (Cont'd)

Figure 48. SCI Block Diagram



SERIAL COMMUNICATIONS INTERFACE (Cont'd)

13.5.4 Functional Description

The block diagram of the Serial Control Interface, is shown in Figure 48. It contains 6 dedicated registers:

- Two control registers (CR1 & CR2)
- A status register (SR)
- A baud rate register (BRR)
- An extended prescaler receiver register (ERPR)
- An extended prescaler transmitter register (ETPR)

Refer to the register descriptions in Section 13.5.7 for the definitions of each bit.

13.5.4.1 Serial Data Format

Word length may be selected as being either 8 or 9 bits by programming the M bit in the CR1 register (see Figure 48).

The TDO pin is in low state during the start bit.

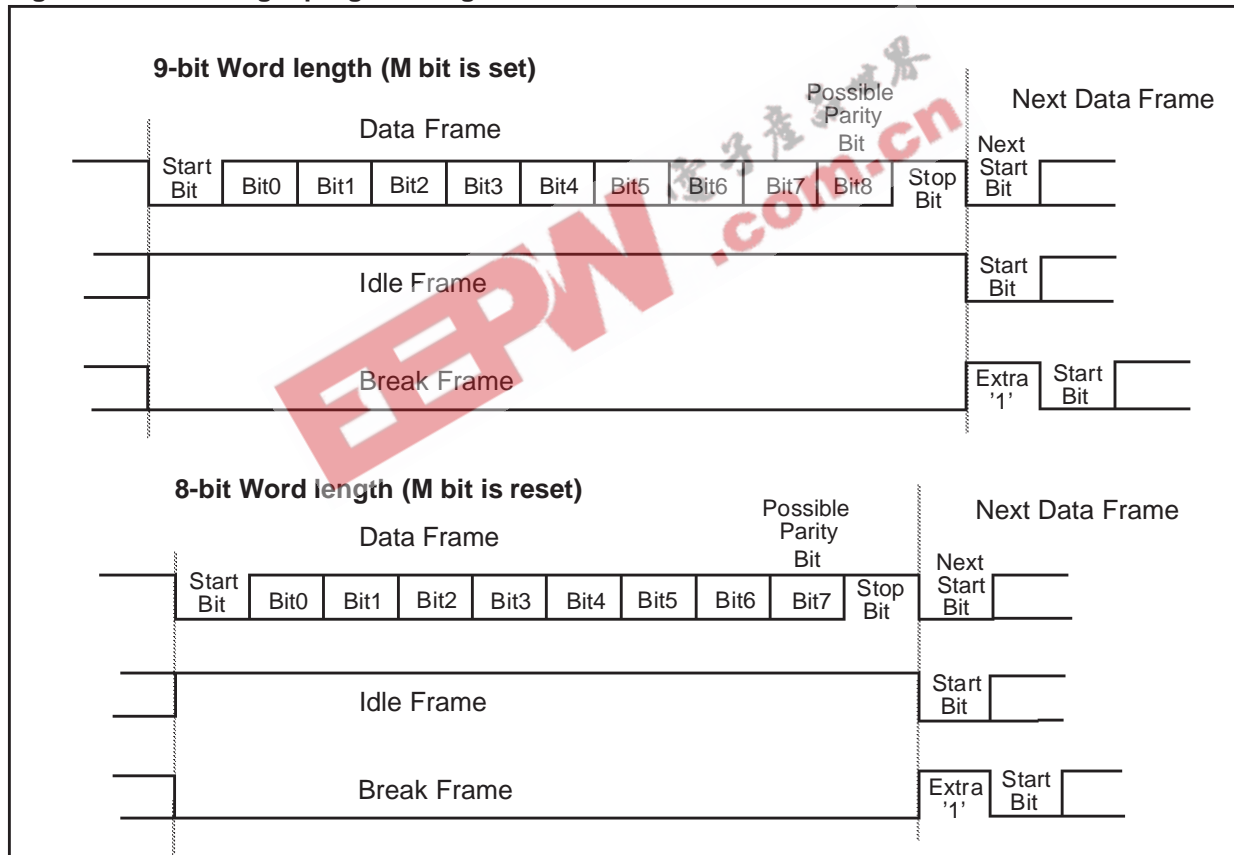
The TDO pin is in high state during the stop bit.

An Idle character is interpreted as an entire frame of “1”s followed by the start bit of the next frame which contains data.

A Break character is interpreted on receiving “0”s for some multiple of the frame period. At the end of the last break frame the transmitter inserts an extra “1” bit to acknowledge the start bit.

Transmission and reception are driven by their own baud rate generator.

Figure 49. Word length programming



SERIAL COMMUNICATIONS INTERFACE (Cont'd)

13.5.4.2 Transmitter

The transmitter can send data words of either 8 or 9 bits depending on the M bit status. When the M bit is set, word length is 9 bits and the 9th bit (the MSB) has to be stored in the T8 bit in the CR1 register.

Character Transmission

During an SCI transmission, data shifts out least significant bit first on the TDO pin. In this mode, the DR register consists of a buffer (TDR) between the internal bus and the transmit shift register (see Figure 48).

Procedure

- Select the M bit to define the word length.
- Select the desired baud rate using the BRR and the ETPR registers.
- Set the TE bit to assign the TDO pin to the alternate function and to send an idle frame as first transmission.
- Access the SR register and write the data to send in the DR register (this sequence clears the TDRE bit). Repeat this sequence for each data to be transmitted.

Clearing the TDRE bit is always performed by the following software sequence:

1. An access to the SR register
2. A write to the DR register

The TDRE bit is set by hardware and it indicates:

- The TDR register is empty.
- The data transfer is beginning.
- The next data can be written in the DR register without overwriting the previous data.

This flag generates an interrupt if the TIE bit is set and the I bit is cleared in the CCR register.

When a transmission is taking place, a write instruction to the DR register stores the data in the TDR register and which is copied in the shift register at the end of the current transmission.

When no transmission is taking place, a write instruction to the DR register places the data directly in the shift register, the data transmission starts, and the TDRE bit is immediately set.

When a frame transmission is complete (after the stop bit or after the break frame) the TC bit is set and an interrupt is generated if the TCIE is set and the I bit is cleared in the CCR register.

Clearing the TC bit is performed by the following software sequence:

1. An access to the SR register
2. A write to the DR register

Note: The TDRE and TC bits are cleared by the same software sequence.

Break Characters

Setting the SBK bit loads the shift register with a break character. The break frame length depends on the M bit (see Figure 49).

As long as the SBK bit is set, the SCI send break frames to the TDO pin. After clearing this bit by software the SCI insert a logic 1 bit at the end of the last break frame to guarantee the recognition of the start bit of the next frame.

Idle Characters

Setting the TE bit drives the SCI to send an idle frame before the first data frame.

Clearing and then setting the TE bit during a transmission sends an idle frame after the current word.

Note: Resetting and setting the TE bit causes the data in the TDR register to be lost. Therefore the best time to toggle the TE bit is when the TDRE bit is set i.e. before writing the next byte in the DR.

SERIAL COMMUNICATIONS INTERFACE (Cont'd)**13.5.4.3 Receiver**

The SCI can receive data words of either 8 or 9 bits. When the M bit is set, word length is 9 bits and the MSB is stored in the R8 bit in the CR1 register.

Character reception

During a SCI reception, data shifts in least significant bit first through the RDI pin. In this mode, DR register consists in a buffer (RDR) between the internal bus and the received shift register (see Figure 48).

Procedure

- Select the M bit to define the word length.
- Select the desired baud rate using the BRR and the ERPR registers.
- Set the RE bit, this enables the receiver which begins searching for a start bit.

When a character is received:

- The RDRF bit is set. It indicates that the content of the shift register is transferred to the RDR.
- An interrupt is generated if the RIE bit is set and the I bit is cleared in the CCR register.
- The error flags can be set if a frame error, noise or an overrun error has been detected during reception.

Clearing the RDRF bit is performed by the following software sequence done by:

1. An access to the SR register
2. A read to the DR register.

The RDRF bit must be cleared before the end of the reception of the next character to avoid an overrun error.

Break Character

When a break character is received, the SPI handles it as a framing error.

Idle Character

When an idle frame is detected, there is the same procedure as a data received character plus an interrupt if the ILIE bit is set and the I bit is cleared in the CCR register.

Overrun Error

An overrun error occurs when a character is received when RDRF has not been reset. Data can not be transferred from the shift register to the TDR register as long as the RDRF bit is not cleared.

When an overrun error occurs:

- The OR bit is set.
- The RDR content will not be lost.
- The shift register will be overwritten.
- An interrupt is generated if the RIE bit is set and the I bit is cleared in the CCR register.

The OR bit is reset by an access to the SR register followed by a DR register read operation.

Noise Error

Oversampling techniques are used for data recovery by discriminating between valid incoming data and noise.

When noise is detected in a frame:

- The NF bit is set at the rising edge of the RDRF bit.
- Data is transferred from the Shift register to the DR register.
- No interrupt is generated. However this bit rises at the same time as the RDRF bit which itself generates an interrupt.

The NF bit is reset by a SR register read operation followed by a DR register read operation.

Framing Error

A framing error is detected when:

- The stop bit is not recognized on reception at the expected time, following either a de-synchronization or excessive noise.
- A break is received.

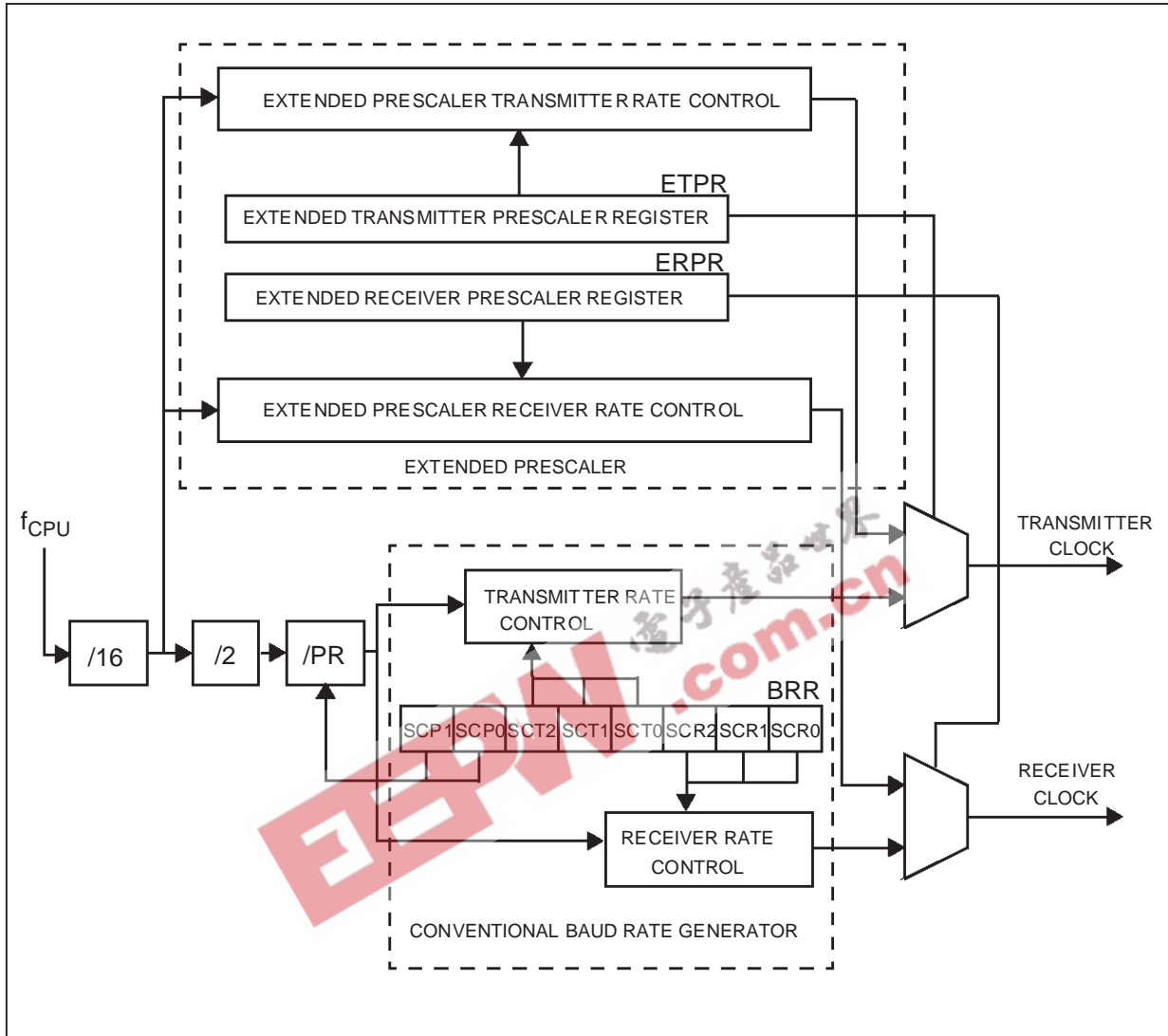
When the framing error is detected:

- the FE bit is set by hardware
- Data is transferred from the Shift register to the DR register.
- No interrupt is generated. However this bit rises at the same time as the RDRF bit which itself generates an interrupt.

The FE bit is reset by a SR register read operation followed by a DR register read operation.

SERIAL COMMUNICATIONS INTERFACE (Cont'd)

Figure 50. SCI Baud Rate and Extended Prescaler Block Diagram



SERIAL COMMUNICATIONS INTERFACE (Cont'd)**13.5.4.4 Conventional Baud Rate Generation**

The baud rate for the receiver and transmitter (Rx and Tx) are set independently and calculated as follows:

$$Tx = \frac{f_{CPU}}{(32 \cdot PR) \cdot TR} \quad Rx = \frac{f_{CPU}}{(32 \cdot PR) \cdot RR}$$

with:

PR = 1, 3, 4 or 13 (see SCP0 & SCP1 bits)

TR = 1, 2, 4, 8, 16, 32, 64, 128

(see SCT0, SCT1 & SCT2 bits)

RR = 1, 2, 4, 8, 16, 32, 64, 128

(see SCR0, SCR1 & SCR2 bits)

All this bits are in the BRR register.

Example: If f_{CPU} is 8 MHz (normal mode) and if PR=13 and TR=RR=1, the transmit and receive baud rates are 19200 baud.

Note: the baud rate registers MUST NOT be changed while the transmitter or the receiver is enabled.

13.5.4.5 Extended Baud Rate Generation

The extended prescaler option gives a very fine tuning on the baud rate, using a 255 value prescaler, whereas the conventional Baud Rate Generator retains industry standard software compatibility.

The extended baud rate generator block diagram is described in the Figure 50.

The output clock rate sent to the transmitter or to the receiver will be the output from the 16 divider divided by a factor ranging from 1 to 255 set in the ERPR or the ETPR register.

Note: the extended prescaler is activated by setting the ETPR or ERPR register to a value other

than zero. The baud rates are calculated as follows:

$$Tx = \frac{f_{CPU}}{16 \cdot ETPR} \quad Rx = \frac{f_{CPU}}{16 \cdot ERPR}$$

with:

ETPR = 1,...,255 (see ETPR register)

ERPR = 1,.. 255 (see ERPR register)

13.5.4.6 Receiver Muting and Wake-up Feature

In multiprocessor configurations it is often desirable that only the intended message recipient should actively receive the full message contents, thus reducing redundant SCI service overhead for all non addressed receivers.

The non addressed devices may be placed in sleep mode by means of the muting function.

Setting the RWU bit by software puts the SCI in sleep mode:

All the reception status bits can not be set.

All the receive interrupt are inhibited.

A muted receiver may be awakened by one of the following two ways:

- by Idle Line detection if the WAKE bit is reset,
- by Address Mark detection if the WAKE bit is set.

Receiver wakes-up by Idle Line detection when the Receive line has recognised an Idle Frame. Then the RWU bit is reset by hardware but the IDLE bit is not set.

Receiver wakes-up by Address Mark detection when it received a "1" as the most significant bit of a word, thus indicating that the message is an address. The reception of this particular word wakes up the receiver, resets the RWU bit and sets the RDRF bit, which allows the receiver to receive this word normally and to use it as an address word.

SERIAL COMMUNICATIONS INTERFACE (Cont'd)

13.5.5 Low Power Modes

| Mode | Description |
|------|--|
| WAIT | No effect on SCI. SCI interrupts cause the device to exit from Wait mode. |
| HALT | SCI registers are frozen. In Halt mode, the SCI stops transmitting/receiving until Halt mode is exited. |

13.5.6 Interrupts

| Interrupt Event | Event Flag | Enable Control Bit | Exit from Wait | Exit from Halt |
|--------------------------------|------------|--------------------|----------------|----------------|
| Transmit Data Register Empty | TDRE | TIE | Yes | No |
| Transmission Complete | TC | TCIE | Yes | No |
| Received Data Ready to be Read | RDRF | RIE | Yes | No |
| Overrun Error Detected | OR | | Yes | No |
| Idle Line Detected | IDLE | ILIE | Yes | No |

The SCI interrupt events are connected to the same interrupt vector (see Interrupts chapter).

These events generate an interrupt if the corresponding Enable Control Bit is set and the interrupt mask in the CC register is reset (RIM instruction).

SERIAL COMMUNICATIONS INTERFACE (Cont'd)

13.5.7 Register Description

STATUS REGISTER (SR)

Read Only

Reset Value: 1100 0000 (C0h)

| | | | | | | | |
|------|----|------|------|----|----|----|---|
| 7 | | | | | | | 0 |
| TDRE | TC | RDRF | IDLE | OR | NF | FE | - |

Bit 7 = **TDRE** *Transmit data register empty.*

This bit is set by hardware when the content of the TDR register has been transferred into the shift register. An interrupt is generated if the TIE =1 in the CR2 register. It is cleared by a software sequence (an access to the SR register followed by a write to the DR register).

0: Data is not transferred to the shift register

1: Data is transferred to the shift register

Note: data will not be transferred to the shift register as long as the TDRE bit is not reset.

Bit 6 = **TC** *Transmission complete.*

This bit is set by hardware when transmission of a frame containing Data, a Preamble or a Break is complete. An interrupt is generated if TCIE=1 in the CR2 register. It is cleared by a software sequence (an access to the SR register followed by a write to the DR register).

0: Transmission is not complete

1: Transmission is complete

Bit 5 = **RDRF** *Received data ready flag.*

This bit is set by hardware when the content of the RDR register has been transferred into the DR register. An interrupt is generated if RIE=1 in the CR2 register. It is cleared by hardware when RE=0 or by a software sequence (an access to the SR register followed by a read to the DR register).

0: Data is not received

1: Received data is ready to be read

Bit 4 = **IDLE** *Idle line detect.*

This bit is set by hardware when a Idle Line is detected. An interrupt is generated if the ILIE=1 in the CR2 register. It is cleared by hardware when RE=0 by a software sequence (an access to the SR register followed by a read to the DR register).

0: No Idle Line is detected

1: Idle Line is detected

Note: The IDLE bit will not be set again until the RDRF bit has been set itself (i.e. a new idle line occurs). This bit is not set by an idle line when the receiver wakes up from wake-up mode.

Bit 3 = **OR** *Overrun error.*

This bit is set by hardware when the word currently being received in the shift register is ready to be transferred into the RDR register while RDRF=1. An interrupt is generated if RIE=1 in the CR2 register. It is cleared by hardware when RE=0 by a software sequence (an access to the SR register followed by a read to the DR register).

0: No Overrun error

1: Overrun error is detected

Note: When this bit is set RDR register content will not be lost but the shift register will be overwritten.

Bit 2 = **NF** *Noise flag.*

This bit is set by hardware when noise is detected on a received frame. It is cleared by hardware when RE=0 by a software sequence (an access to the SR register followed by a read to the DR register).

0: No noise is detected

1: Noise is detected

Note: This bit does not generate interrupt as it appears at the same time as the RDRF bit which itself generates an interrupt.

Bit 1 = **FE** *Framing error.*

This bit is set by hardware when a de-synchronization, excessive noise or a break character is detected. It is cleared by hardware when RE=0 by a software sequence (an access to the SR register followed by a read to the DR register).

0: No Framing error is detected

1: Framing error or break character is detected

Note: This bit does not generate interrupt as it appears at the same time as the RDRF bit which itself generates an interrupt. If the word currently being transferred causes both frame error and overrun error, it will be transferred and only the OR bit will be set.

Bit 0 = Unused.

SERIAL COMMUNICATIONS INTERFACE (Cont'd)

CONTROL REGISTER 1 (CR1)

Read/Write

Reset Value: Undefined

| | | | | | | | | |
|----|----|---|---|------|---|---|---|---|
| 7 | | | | | | | | 0 |
| R8 | T8 | - | M | WAKE | - | - | - | |

Bit 7 = **R8** *Receive data bit 8*.
This bit is used to store the 9th bit of the received word when M=1.

Bit 6 = **T8** *Transmit data bit 8*.
This bit is used to store the 9th bit of the transmitted word when M=1.

Bit 4 = **M** *Word length*.
This bit determines the word length. It is set or cleared by software.
0: 1 Start bit, 8 Data bits, 1 Stop bit
1: 1 Start bit, 9 Data bits, 1 Stop bit

Bit 3 = **WAKE** *Wake-Up method*.
This bit determines the SCI Wake-Up method, it is set or cleared by software.
0: Idle Line
1: Address Mark

CONTROL REGISTER 2 (CR2)

Read/Write

Reset Value: 0000 0000 (00h)

| | | | | | | | | |
|-----|------|-----|------|----|----|-----|-----|---|
| 7 | | | | | | | | 0 |
| TIE | TCIE | RIE | ILIE | TE | RE | RWU | SBK | |

Bit 7 = **TIE** *Transmitter interrupt enable*.
This bit is set and cleared by software.
0: interrupt is inhibited
1: An SCI interrupt is generated whenever TDRE=1 in the SR register.

Bit 6 = **TCIE** *Transmission complete interrupt enable*
This bit is set and cleared by software.
0: interrupt is inhibited

1: An SCI interrupt is generated whenever TC=1 in the SR register

Bit 5 = **RIE** *Receiver interrupt enable*.
This bit is set and cleared by software.
0: interrupt is inhibited
1: An SCI interrupt is generated whenever OR=1 or RDRF=1 in the SR register

Bit 4 = **ILIE** *Idle line interrupt enable*.
This bit is set and cleared by software.
0: interrupt is inhibited
1: An SCI interrupt is generated whenever IDLE=1 in the SR register.

Bit 3 = **TE** *Transmitter enable*.
This bit enables the transmitter and assigns the TDO pin to the alternate function. It is set and cleared by software.
0: Transmitter is disabled, the TDO pin is back to the I/O port configuration.
1: Transmitter is enabled

Note: during transmission, a "0" pulse on the TE bit ("0" followed by "1") sends a preamble after the current word.

Bit 2 = **RE** *Receiver enable*.
This bit enables the receiver. It is set and cleared by software.
0: Receiver is disabled, it resets the RDRF, IDLE, OR, NF and FE bits of the SR register.
1: Receiver is enabled and begins searching for a start bit.

Bit 1 = **RWU** *Receiver wake-up*.
This bit determines if the SCI is in mute mode or not. It is set and cleared by software and can be cleared by hardware when a wake-up sequence is recognized.
0: Receiver in active mode
1: Receiver in mute mode

Bit 0 = **SBK** *Send break*.
This bit set is used to send break characters. It is set and cleared by software.
0: No break character is transmitted
1: Break characters are transmitted
Note: If the SBK bit is set to "1" and then to "0", the transmitter will send a BREAK word at the end of the current word.

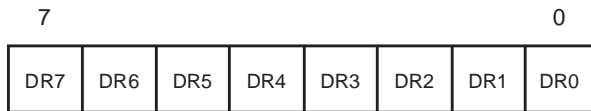
SERIAL COMMUNICATIONS INTERFACE (Cont'd)

DATA REGISTER (DR)

Read/Write

Reset Value: Undefined

Contains the Received or Transmitted data character, depending on whether it is read from or written to.



The Data register performs a double function (read and write) since it is composed of two registers, one for transmission (TDR) and one for reception (RDR).

The TDR register provides the parallel interface between the internal bus and the output shift register (see Figure 48).

The RDR register provides the parallel interface between the input shift register and the internal bus (see Figure 48).

BAUD RATE REGISTER (BRR)

Read/Write

Reset Value: 00xx xxxx (XXh)



Bit 7:6 = **SCP[1:0]** First SCI Prescaler

These 2 prescaling bits allow several standard clock division ranges:

| PR Prescaling factor | SCP1 | SCP0 |
|----------------------|------|------|
| 1 | 0 | 0 |
| 3 | 0 | 1 |
| 4 | 1 | 0 |
| 13 | 1 | 1 |

Bit 5:3 = **SCT[2:0]** SCI Transmitter rate divisor

These 3 bits, in conjunction with the SCP1 & SCP0 bits define the total division applied to the bus clock to yield the transmit rate clock in conventional Baud Rate Generator mode.

| TR dividing factor | SCT2 | SCT1 | SCT0 |
|--------------------|------|------|------|
| 1 | 0 | 0 | 0 |
| 2 | 0 | 0 | 1 |
| 4 | 0 | 1 | 0 |
| 8 | 0 | 1 | 1 |
| 16 | 1 | 0 | 0 |
| 32 | 1 | 0 | 1 |
| 64 | 1 | 1 | 0 |
| 128 | 1 | 1 | 1 |

Note: this TR factor is used only when the ETPR fine tuning factor is equal to 00h; otherwise, TR is replaced by the ETPR dividing factor.

Bit 2:0 = **SCR[2:0]** SCI Receiver rate divisor.

These 3 bits, in conjunction with the SCP1 & SCP0 bits define the total division applied to the bus clock to yield the receive rate clock in conventional Baud Rate Generator mode.

| RR dividing factor | SCR2 | SCR1 | SCR0 |
|--------------------|------|------|------|
| 1 | 0 | 0 | 0 |
| 2 | 0 | 0 | 1 |
| 4 | 0 | 1 | 0 |
| 8 | 0 | 1 | 1 |
| 16 | 1 | 0 | 0 |
| 32 | 1 | 0 | 1 |
| 64 | 1 | 1 | 0 |
| 128 | 1 | 1 | 1 |

Note: this RR factor is used only when the ERPR fine tuning factor is equal to 00h; otherwise, RR is replaced by the ERPR dividing factor.

SERIAL COMMUNICATIONS INTERFACE (Cont'd)

EXTENDED RECEIVE PRESCALER DIVISION REGISTER (ERPR)

Read/Write

Reset Value: 0000 0000 (00h)

Allows setting of the Extended Prescaler rate division factor for the receive circuit.

| | | | | | | | |
|-----------|-----------|-----------|-----------|-----------|-----------|-----------|-----------|
| 7 | | | | | | | 0 |
| ERPR 7 | ERPR 6 | ERPR 5 | ERPR 4 | ERPR 3 | ERPR 2 | ERPR 1 | ERPR 0 |

Bit 7:1 = **ERPR[7:0]** 8-bit Extended Receive Prescaler Register.

The extended Baud Rate Generator is activated when a value different from 00h is stored in this register. Therefore the clock frequency issued from the 16 divider (see Figure 50) is divided by the binary factor set in the ERPR register (in the range 1 to 255).

The extended baud rate generator is not used after a reset.

EXTENDED TRANSMIT PRESCALER DIVISION REGISTER (ETPR)

Read/Write

Reset Value:0000 0000 (00h)

Allows setting of the External Prescaler rate division factor for the transmit circuit.

| | | | | | | | |
|-----------|-----------|-----------|-----------|-----------|-----------|-----------|-----------|
| 7 | | | | | | | 0 |
| ETPR 7 | ETPR 6 | ETPR 5 | ETPR 4 | ETPR 3 | ETPR 2 | ETPR 1 | ETPR 0 |

Bit 7:1 = **ETPR[7:0]** 8-bit Extended Transmit Prescaler Register.

The extended Baud Rate Generator is activated when a value different from 00h is stored in this register. Therefore the clock frequency issued from the 16 divider (see Figure 50) is divided by the binary factor set in the ETPR register (in the range 1 to 255).

The extended baud rate generator is not used after a reset.

Table 19. SCI Register Map and Reset Values

| Address (Hex.) | Register Label | 7 | 6 | 5 | 4 | 3 | 2 | 1 | 0 |
|----------------|-------------------------------|-----------|-----------|-----------|-------------|------------|--------------|-------------|-------------|
| 0050h | SCISR Reset Value | TDRE 1 | TC 1 | RDRF 0 | IDLE 0 | OR 0 | NF 0 | FE 0 | 0 |
| 0051h | SCIDR Reset Value | MSB x | x | x | x | x | x | x | LSB x |
| 0052h | SCIBRR Reset Value | SOG 0 | 0 | VPOL x | 2FHDET x | HVSEL x | VCORDIS x | CLPINV x | BLKINV x |
| 0053h | SCICR1 Reset Value | R8 x | T8 x | 0 | M x | WAKE x | 0 | 0 | 0 |
| 0054h | SCICR2 Reset Value | TIE 0 | TCIE 0 | RIE 0 | ILIE 0 | TE 0 | RE 0 | RWU 0 | SBK 0 |
| 0055h | SCIPBRR Reset Value | MSB 0 | 0 | 0 | 0 | 0 | 0 | 0 | LSB 0 |
| 0057h | SCIPBRT Reset Value | MSB 0 | 0 | 0 | 0 | 0 | 0 | 0 | LSB 0 |

13.6 8-BIT A/D CONVERTER (ADC)

13.6.1 Introduction

The on-chip Analog to Digital Converter (ADC) peripheral is a 8-bit, successive approximation converter with internal sample and hold circuitry. This peripheral has up to 16 multiplexed analog input channels (refer to device pin out description) that allow the peripheral to convert the analog voltage levels from up to 16 different sources.

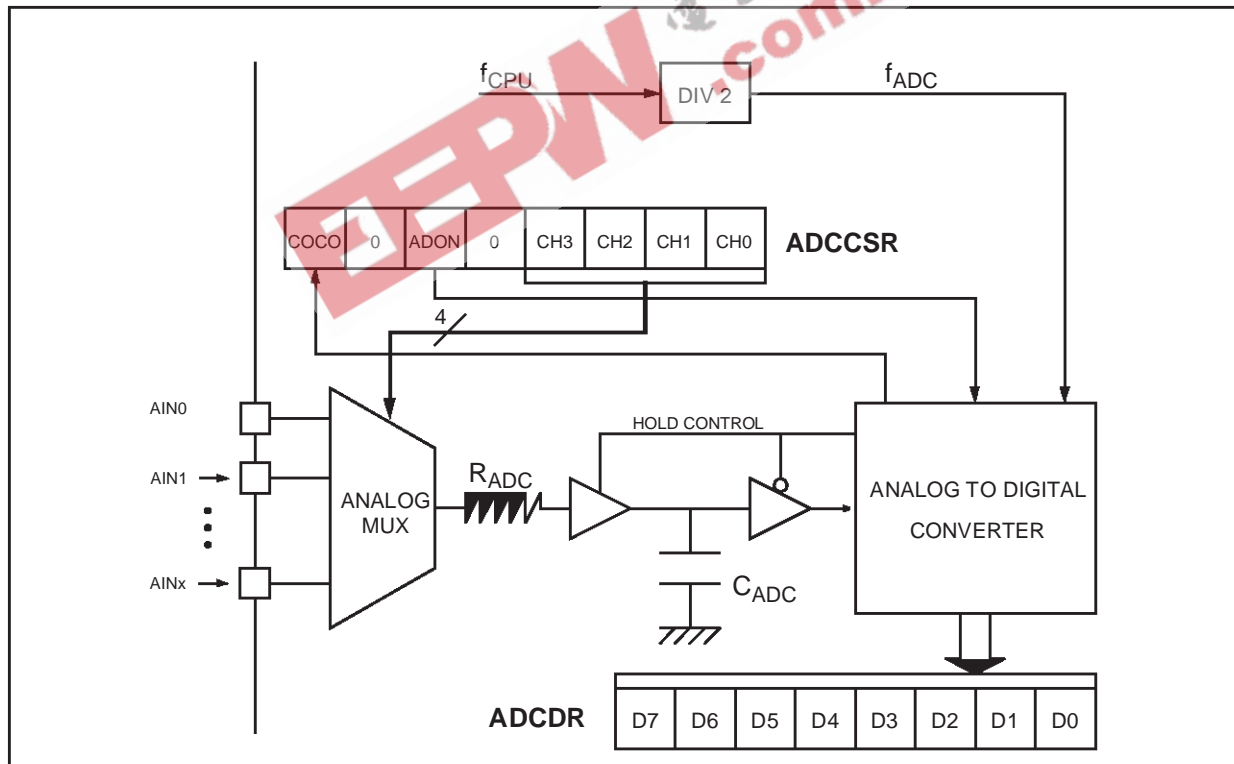
The result of the conversion is stored in a 8-bit Data Register. The A/D converter is controlled through a Control/Status Register.

13.6.2 Main Features

- 8-bit conversion
- Up to 16 channels with multiplexed input
- Linear successive approximation
- Data register (DR) which contains the results
- Conversion complete status flag
- On/off bit (to reduce consumption)

The block diagram is shown in Figure 51.

Figure 51. ADC Block Diagram



13.6.3 Functional Description

13.6.3.1 Analog Power Supply

V_{DDA} and V_{SSA} are the high and low level reference voltage pins. In some devices (refer to device pin out description) they are internally connected to the V_{DD} and V_{SS} pins.

Conversion accuracy may therefore be impacted by voltage drops and noise in the event of heavily loaded or badly decoupled power supply lines.

See electrical characteristics section for more details.

8-BIT A/D CONVERTER (ADC) (Cont'd)

13.6.3.2 Digital A/D Conversion Result

The conversion is monotonic, meaning that the result never decreases if the analog input does not and never increases if the analog input does not.

If the input voltage (V_{AIN}) is greater than or equal to V_{DDA} (high-level voltage reference) then the conversion result in the DR register is FFh (full scale) without overflow indication.

If input voltage (V_{AIN}) is lower than or equal to V_{SSA} (low-level voltage reference) then the conversion result in the DR register is 00h.

The A/D converter is linear and the digital result of the conversion is stored in the ADCDR register. The accuracy of the conversion is described in the parametric section.

R_{AIN} is the maximum recommended impedance for an analog input signal. If the impedance is too high, this will result in a loss of accuracy due to leakage and sampling not being completed in the allotted time.

13.6.3.3 A/D Conversion Phases

The A/D conversion is based on two conversion phases as shown in Figure 52:

- Sample capacitor loading [duration: t_{LOAD}]
During this phase, the V_{AIN} input voltage to be measured is loaded into the C_{ADC} sample capacitor.
- A/D conversion [duration: t_{CONV}]
During this phase, the A/D conversion is computed (8 successive approximations cycles) and the C_{ADC} sample capacitor is disconnected from the analog input pin to get the optimum analog to digital conversion accuracy.

While the ADC is on, these two phases are continuously repeated.

At the end of each conversion, the sample capacitor is kept loaded with the previous measurement load. The advantage of this behaviour is that it minimizes the current consumption on the analog pin in case of single input channel measurement.

13.6.3.4 Software Procedure

Refer to the control/status register (CSR) and data register (DR) in Section 13.6.6 for the bit definitions and to Figure 52 for the timings.

ADC Configuration

The total duration of the A/D conversion is 12 ADC clock periods ($1/f_{ADC}=2/f_{CPU}$).

The analog input ports must be configured as input, no pull-up, no interrupt. Refer to the «I/O ports» chapter. Using these pins as analog inputs does not affect the ability of the port to be read as a logic input.

In the CSR register:

- Select the CH[3:0] bits to assign the analog channel to be converted.

ADC Conversion

In the CSR register:

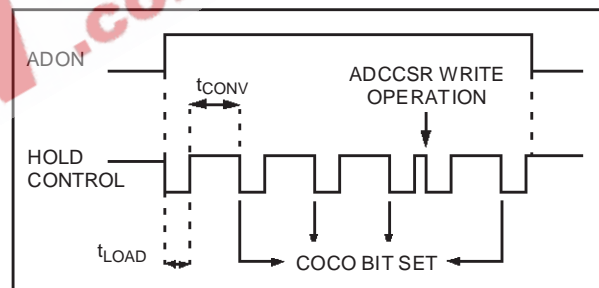
- Set the ADON bit to enable the A/D converter and to start the first conversion. From this time on, the ADC performs a continuous conversion of the selected channel.

When a conversion is complete

- The COCO bit is set by hardware.
- No interrupt is generated.
- The result is in the DR register and remains valid until the next conversion has ended.

A write to the CSR register (with ADON set) aborts the current conversion, resets the COCO bit and starts a new conversion.

Figure 52. ADC Conversion Timings



13.6.4 Low Power Modes

| Mode | Description |
|------|--|
| WAIT | No effect on A/D Converter |
| HALT | A/D Converter disabled. After wakeup from Halt mode, the A/D Converter requires a stabilisation time before accurate conversions can be performed. |

Note: The A/D converter may be disabled by resetting the ADON bit. This feature allows reduced power consumption when no conversion is needed and between single shot conversions.

13.6.5 Interrupts

None

8-BIT A/D CONVERTER (ADC) (Cont'd)

13.6.6 Register Description

CONTROL/STATUS REGISTER (CSR)

Read/Write

Reset Value: 0000 0000 (00h)

| | | | | | | | |
|------|---|------|---|-----|-----|-----|-----|
| 7 | | | | | | | 0 |
| COCO | 0 | ADON | 0 | CH3 | CH2 | CH1 | CH0 |

Bit 7 = **COCO** Conversion Complete

This bit is set by hardware. It is cleared by software reading the result in the DR register or writing to the CSR register.

0: Conversion is not complete

1: Conversion can be read from the DR register

Bit 6 = **Reserved**. must always be cleared.

Bit 5 = **ADON** A/D Converter On

This bit is set and cleared by software.

0: A/D converter is switched off

1: A/D converter is switched on

Bit 4 = **Reserved**. must always be cleared.

Bit 3:0 = **CH[3:0]** Channel Selection

These bits are set and cleared by software. They select the analog input to convert.

| Channel Pin* | CH3 | CH2 | CH1 | CH0 |
|--------------|-----|-----|-----|-----|
| AIN0 | 0 | 0 | 0 | 0 |
| AIN1 | 0 | 0 | 0 | 1 |
| AIN2 | 0 | 0 | 1 | 0 |
| AIN3 | 0 | 0 | 1 | 1 |
| AIN4 | 0 | 1 | 0 | 0 |
| AIN5 | 0 | 1 | 0 | 1 |
| AIN6 | 0 | 1 | 1 | 0 |
| AIN7 | 0 | 1 | 1 | 1 |
| AIN8 | 1 | 0 | 0 | 0 |
| AIN9 | 1 | 0 | 0 | 1 |
| AIN10 | 1 | 0 | 1 | 0 |
| AIN11 | 1 | 0 | 1 | 1 |
| AIN12 | 1 | 1 | 0 | 0 |
| AIN13 | 1 | 1 | 0 | 1 |
| AIN14 | 1 | 1 | 1 | 0 |
| AIN15 | 1 | 1 | 1 | 1 |

***Note:** The number of pins AND the channel selection varies according to the device. Refer to the device pinout.

DATA REGISTER (DR)

Read Only

Reset Value: 0000 0000 (00h)

| | | | | | | | |
|----|----|----|----|----|----|----|----|
| 7 | | | | | | | 0 |
| D7 | D6 | D5 | D4 | D3 | D2 | D1 | D0 |

Bit 7:0 = **D[7:0]** Analog Converted Value

This register contains the converted analog value in the range 00h to FFh.

Note: Reading this register reset the COCO flag.

8-BIT A/D CONVERTER (ADC) (Cont'd)

Table 20. ADC Register Map and Reset Values

| Address (Hex.) | Register Label | 7 | 6 | 5 | 4 | 3 | 2 | 1 | 0 |
|----------------|-----------------------|-----------|---------|-----------|---------|----------|----------|----------|----------|
| 0070h | ADCDR Reset Value | D7 0 | D6 0 | D5 0 | D4 0 | D3 0 | D2 0 | D1 0 | D0 0 |
| 0071h | ADCCSR Reset Value | COCO 0 | 0 | ADON 0 | 0 | CH3 0 | CH2 0 | CH1 0 | CH0 0 |

EEPW.com.cn

電子產品世界

14 INSTRUCTION SET

14.1 ST7 ADDRESSING MODES

The ST7 Core features 17 different addressing modes which can be classified in 7 main groups:

| Addressing Mode | Example |
|-----------------|-----------------|
| Inherent | nop |
| Immediate | ld A,#\$55 |
| Direct | ld A,\$55 |
| Indexed | ld A,(\$55,X) |
| Indirect | ld A,([\$55],X) |
| Relative | jrne loop |
| Bit operation | bset byte,#5 |

The ST7 Instruction set is designed to minimize the number of bytes required per instruction: To do

so, most of the addressing modes may be subdivided in two sub-modes called long and short:

- Long addressing mode is more powerful because it can use the full 64 Kbyte address space, however it uses more bytes and more CPU cycles.
- Short addressing mode is less powerful because it can generally only access page zero (0000h - 00FFh range), but the instruction size is more compact, and faster. All memory to memory instructions use short addressing modes only (CLR, CPL, NEG, BSET, BRES, BTJT, BTJF, INC, DEC, RLC, RRC, SLL, SRL, SRA, SWAP)

The ST7 Assembler optimizes the use of long and short addressing modes.

Table 21. ST7 Addressing Mode Overview

| Mode | | Syntax | Destination/ Source | Pointer Address (Hex.) | Pointer Size (Hex.) | Length (Bytes) |
|-----------|----------|---------------------------------|-----------------------------|------------------------------|---------------------------|--|
| Inherent | | nop | | | | + 0 |
| Immediate | | ld A,#\$55 | | | | + 1 |
| Short | Direct | ld A,\$10 | 00..FF | | | + 1 |
| Long | Direct | ld A,\$1000 | 0000..FFFF | | | + 2 |
| No Offset | Direct | Indexed ld A,(X) | 00..FF | | | + 0 (with X register) + 1 (with Y register) |
| Short | Direct | Indexed ld A,(\$10,X) | 00..1FE | | | + 1 |
| Long | Direct | Indexed ld A,(\$1000,X) | 0000..FFFF | | | + 2 |
| Short | Indirect | ld A,[\$10] | 00..FF | 00..FF | byte | + 2 |
| Long | Indirect | ld A,[\$10.w] | 0000..FFFF | 00..FF | word | + 2 |
| Short | Indirect | Indexed ld A,([\$10],X) | 00..1FE | 00..FF | byte | + 2 |
| Long | Indirect | Indexed ld A,([\$10.w],X) | 0000..FFFF | 00..FF | word | + 2 |
| Relative | Direct | jrne loop | PC-128/PC+127 ¹⁾ | | | + 1 |
| Relative | Indirect | jrne [\$10] | PC-128/PC+127 ¹⁾ | 00..FF | byte | + 2 |
| Bit | Direct | bset \$10,#7 | 00..FF | | | + 1 |
| Bit | Indirect | bset [\$10],#7 | 00..FF | 00..FF | byte | + 2 |
| Bit | Direct | Relative btjt \$10,#7,skip | 00..FF | | | + 2 |
| Bit | Indirect | Relative btjt [\$10],#7,skip | 00..FF | 00..FF | byte | + 3 |

Note 1. At the time the instruction is executed, the Program Counter (PC) points to the instruction following JRxx.

ST7 ADDRESSING MODES (Cont'd)

14.1.1 Inherent

All Inherent instructions consist of a single byte. The opcode fully specifies all the required information for the CPU to process the operation.

| Inherent Instruction | Function |
|-------------------------|-------------------------------------|
| NOP | No operation |
| TRAP | S/W Interrupt |
| WFI | Wait For Interrupt (Low Power Mode) |
| HALT | Halt Oscillator (Lowest Power Mode) |
| RET | Sub-routine Return |
| IRET | Interrupt Sub-routine Return |
| SIM | Set Interrupt Mask |
| RIM | Reset Interrupt Mask |
| SCF | Set Carry Flag |
| RCF | Reset Carry Flag |
| RSP | Reset Stack Pointer |
| LD | Load |
| CLR | Clear |
| PUSH/POP | Push/Pop to/from the stack |
| INC/DEC | Increment/Decrement |
| TNZ | Test Negative or Zero |
| CPL, NEG | 1 or 2 Complement |
| MUL | Byte Multiplication |
| SLL, SRL, SRA, RLC, RRC | Shift and Rotate Operations |
| SWAP | Swap Nibbles |

14.1.2 Immediate

Immediate instructions have two bytes, the first byte contains the opcode, the second byte contains the operand value.

| Immediate Instruction | Function |
|-----------------------|-----------------------|
| LD | Load |
| CP | Compare |
| BCP | Bit Compare |
| AND, OR, XOR | Logical Operations |
| ADC, ADD, SUB, SBC | Arithmetic Operations |

14.1.3 Direct

In Direct instructions, the operands are referenced by their memory address.

The direct addressing mode consists of two sub-modes:

Direct (short)

The address is a byte, thus requires only one byte after the opcode, but only allows 00 - FF addressing space.

Direct (long)

The address is a word, thus allowing 64 Kbyte addressing space, but requires 2 bytes after the opcode.

14.1.4 Indexed (No Offset, Short, Long)

In this mode, the operand is referenced by its memory address, which is defined by the unsigned addition of an index register (X or Y) with an offset.

The indirect addressing mode consists of three sub-modes:

Indexed (No Offset)

There is no offset, (no extra byte after the opcode), and allows 00 - FF addressing space.

Indexed (Short)

The offset is a byte, thus requires only one byte after the opcode and allows 00 - 1FE addressing space.

Indexed (long)

The offset is a word, thus allowing 64 Kbyte addressing space and requires 2 bytes after the opcode.

14.1.5 Indirect (Short, Long)

The required data byte to do the operation is found by its memory address, located in memory (pointer).

The pointer address follows the opcode. The indirect addressing mode consists of two sub-modes:

Indirect (short)

The pointer address is a byte, the pointer size is a byte, thus allowing 00 - FF addressing space, and requires 1 byte after the opcode.

Indirect (long)

The pointer address is a byte, the pointer size is a word, thus allowing 64 Kbyte addressing space, and requires 1 byte after the opcode.

ST7 ADDRESSING MODES (Cont'd)**14.1.6 Indirect Indexed (Short, Long)**

This is a combination of indirect and short indexed addressing modes. The operand is referenced by its memory address, which is defined by the unsigned addition of an index register value (X or Y) with a pointer value located in memory. The pointer address follows the opcode.

The indirect indexed addressing mode consists of two sub-modes:

Indirect Indexed (Short)

The pointer address is a byte, the pointer size is a byte, thus allowing 00 - 1FE addressing space, and requires 1 byte after the opcode.

Indirect Indexed (Long)

The pointer address is a byte, the pointer size is a word, thus allowing 64 Kbyte addressing space, and requires 1 byte after the opcode.

Table 22. Instructions Supporting Direct, Indexed, Indirect and Indirect Indexed Addressing Modes

| Long and Short Instructions | Function |
|-----------------------------|--|
| LD | Load |
| CP | Compare |
| AND, OR, XOR | Logical Operations |
| ADC, ADD, SUB, SBC | Arithmetic Addition/subtraction operations |
| BCP | Bit Compare |

| Short Instructions Only | Function |
|-------------------------|------------------------------|
| CLR | Clear |
| INC, DEC | Increment/Decrement |
| TNZ | Test Negative or Zero |
| CPL, NEG | 1 or 2 Complement |
| BSET, BRES | Bit Operations |
| BTJT, BTJF | Bit Test and Jump Operations |
| SLL, SRL, SRA, RLC, RRC | Shift and Rotate Operations |
| SWAP | Swap Nibbles |
| CALL, JP | Call or Jump subroutine |

14.1.7 Relative mode (Direct, Indirect)

This addressing mode is used to modify the PC register value, by adding an 8-bit signed offset to it.

| Available Relative Direct/Indirect Instructions | Function |
|---|------------------|
| JRxx | Conditional Jump |
| CALLR | Call Relative |

The relative addressing mode consists of two sub-modes:

Relative (Direct)

The offset follows the opcode.

Relative (Indirect)

The offset is defined in memory, of which the address follows the opcode.

14.2 INSTRUCTION GROUPS

The ST7 family devices use an Instruction Set consisting of 63 instructions. The instructions may

be subdivided into 13 main groups as illustrated in the following table:

| | | | | | | | | |
|----------------------------------|------|------|------|------|------|-------|-----|-----|
| Load and Transfer | LD | CLR | | | | | | |
| Stack operation | PUSH | POP | RSP | | | | | |
| Increment/Decrement | INC | DEC | | | | | | |
| Compare and Tests | CP | TNZ | BCP | | | | | |
| Logical operations | AND | OR | XOR | CPL | NEG | | | |
| Bit Operation | BSET | BRES | | | | | | |
| Conditional Bit Test and Branch | BTJT | BTJF | | | | | | |
| Arithmetic operations | ADC | ADD | SUB | SBC | MUL | | | |
| Shift and Rotates | SLL | SRL | SRA | RLC | RRC | SWAP | SLA | |
| Unconditional Jump or Call | JRA | JRT | JRF | JP | CALL | CALLR | NOP | RET |
| Conditional Branch | JRxx | | | | | | | |
| Interrupt management | TRAP | WFI | HALT | IRET | | | | |
| Code Condition Flag modification | SIM | RIM | SCF | RCF | | | | |

Using a pre-byte

The instructions are described with one to four bytes.

In order to extend the number of available opcodes for an 8-bit CPU (256 opcodes), three different prebyte opcodes are defined. These prebytes modify the meaning of the instruction they precede.

The whole instruction becomes:

- PC-2 End of previous instruction
- PC-1 Prebyte
- PC opcode
- PC+1 Additional word (0 to 2) according to the number of bytes required to compute the effective address

These prebytes enable instruction in Y as well as indirect addressing modes to be implemented. They precede the opcode of the instruction in X or the instruction using direct addressing mode. The prebytes are:

PDY 90 Replace an X based instruction using immediate, direct, indexed, or inherent addressing mode by a Y one.

PIX 92 Replace an instruction using direct, direct bit, or direct relative addressing mode to an instruction using the corresponding indirect addressing mode.

It also changes an instruction using X indexed addressing mode to an instruction using indirect X indexed addressing mode.

PIY 91 Replace an instruction using X indirect indexed addressing mode by a Y one.

INSTRUCTION GROUPS (Cont'd)

| Mnemo | Description | Function/Example | Dst | Src | H | I | N | Z | C |
|-------|----------------------------|---------------------|--------|-----|---|---|---|---|---|
| ADC | Add with Carry | $A = A + M + C$ | A | M | H | | N | Z | C |
| ADD | Addition | $A = A + M$ | A | M | H | | N | Z | C |
| AND | Logical And | $A = A . M$ | A | M | | | N | Z | |
| BCP | Bit compare A, Memory | tst (A . M) | A | M | | | N | Z | |
| BRES | Bit Reset | bres Byte, #3 | M | | | | | | |
| BSET | Bit Set | bset Byte, #3 | M | | | | | | |
| BTJF | Jump if bit is false (0) | btjf Byte, #3, Jmp1 | M | | | | | | C |
| BTJT | Jump if bit is true (1) | btjt Byte, #3, Jmp1 | M | | | | | | C |
| CALL | Call subroutine | | | | | | | | |
| CALLR | Call subroutine relative | | | | | | | | |
| CLR | Clear | | reg, M | | | | 0 | 1 | |
| CP | Arithmetic Compare | tst(Reg - M) | reg | M | | | N | Z | C |
| CPL | One Complement | $A = FFH-A$ | reg, M | | | | N | Z | 1 |
| DEC | Decrement | dec Y | reg, M | | | | N | Z | |
| HALT | Halt | | | | | 0 | | | |
| IRET | Interrupt routine return | Pop CC, A, X, PC | | | H | I | N | Z | C |
| INC | Increment | inc X | reg, M | | | | N | Z | |
| JP | Absolute Jump | jp [TBL.w] | | | | | | | |
| JRA | Jump relative always | | | | | | | | |
| JRT | Jump relative | | | | | | | | |
| JRF | Never jump | jrf * | | | | | | | |
| JRIH | Jump if ext. interrupt = 1 | | | | | | | | |
| JRIL | Jump if ext. interrupt = 0 | | | | | | | | |
| JRH | Jump if H = 1 | H = 1 ? | | | | | | | |
| JRNH | Jump if H = 0 | H = 0 ? | | | | | | | |
| JRM | Jump if I = 1 | I = 1 ? | | | | | | | |
| JRNM | Jump if I = 0 | I = 0 ? | | | | | | | |
| JRMI | Jump if N = 1 (minus) | N = 1 ? | | | | | | | |
| JRPL | Jump if N = 0 (plus) | N = 0 ? | | | | | | | |
| JREQ | Jump if Z = 1 (equal) | Z = 1 ? | | | | | | | |
| JRNE | Jump if Z = 0 (not equal) | Z = 0 ? | | | | | | | |
| JRC | Jump if C = 1 | C = 1 ? | | | | | | | |
| JRNC | Jump if C = 0 | C = 0 ? | | | | | | | |
| JRULT | Jump if C = 1 | Unsigned < | | | | | | | |
| JRUGE | Jump if C = 0 | Jmp if unsigned >= | | | | | | | |
| JRUGT | Jump if (C + Z = 0) | Unsigned > | | | | | | | |

INSTRUCTION GROUPS (Cont'd)

| Mnemo | Description | Function/Example | Dst | Src | H | I | N | Z | C |
|-------|------------------------|-------------------------|-----------|---------|---|---|---|---|---|
| JRULE | Jump if (C + Z = 1) | Unsigned <= | | | | | | | |
| LD | Load | dst <= src | reg, M | M, reg | | | N | Z | |
| MUL | Multiply | X,A = X * A | A, X, Y | X, Y, A | 0 | | | | 0 |
| NEG | Negate (2's compl) | neg \$10 | reg, M | | | | N | Z | C |
| NOP | No Operation | | | | | | | | |
| OR | OR operation | A = A + M | A | M | | | N | Z | |
| POP | Pop from the Stack | pop reg pop CC | reg CC | M M | | | | | |
| PUSH | Push onto the Stack | push Y | M | reg, CC | H | I | N | Z | C |
| RCF | Reset carry flag | C = 0 | | | | | | | 0 |
| RET | Subroutine Return | | | | | | | | |
| RIM | Enable Interrupts | I = 0 | | | | 0 | | | |
| RLC | Rotate left true C | C <= Dst <= C | reg, M | | | | N | Z | C |
| RRC | Rotate right true C | C => Dst => C | reg, M | | | | N | Z | C |
| RSP | Reset Stack Pointer | S = Max allowed | | | | | | | |
| SBC | Subtract with Carry | A = A - M - C | A | M | | | N | Z | C |
| SCF | Set carry flag | C = 1 | | | | | | | 1 |
| SIM | Disable Interrupts | I = 1 | | | | 1 | | | |
| SLA | Shift left Arithmetic | C <= Dst <= 0 | reg, M | | | | N | Z | C |
| SLL | Shift left Logic | C <= Dst <= 0 | reg, M | | | | N | Z | C |
| SRL | Shift right Logic | 0 => Dst => C | reg, M | | | | 0 | Z | C |
| SRA | Shift right Arithmetic | Dst7 => Dst => C | reg, M | | | | N | Z | C |
| SUB | Subtraction | A = A - M | A | M | | | N | Z | C |
| SWAP | SWAP nibbles | Dst[7..4] <=> Dst[3..0] | reg, M | | | | N | Z | |
| TNZ | Test for Neg & Zero | tnz lbl1 | | | | | N | Z | |
| TRAP | S/W trap | S/W interrupt | | | | 1 | | | |
| WFI | Wait for Interrupt | | | | | 0 | | | |
| XOR | Exclusive OR | A = A XOR M | A | M | | | N | Z | |

15 ELECTRICAL CHARACTERISTICS

15.1 PARAMETER CONDITIONS

Unless otherwise specified, all voltages are referred to V_{SS} .

15.1.1 Minimum and Maximum values

Unless otherwise specified the minimum and maximum values are guaranteed in the worst conditions of ambient temperature, supply voltage and frequencies by tests in production on 100% of the devices with an ambient temperature at $T_A=25^\circ\text{C}$ and $T_A=T_{A\text{max}}$ (given by the selected temperature range).

Data based on characterization results, design simulation and/or technology characteristics are indicated in the table footnotes and are not tested in production. Based on characterization, the minimum and maximum values refer to sample tests and represent the mean value plus or minus three times the standard deviation ($\text{mean} \pm 3\sigma$).

15.1.2 Typical values

Unless otherwise specified, typical data are based on $T_A=25^\circ\text{C}$, $V_{DD}=5\text{V}$ (for the $4.5\text{V} \leq V_{DD} \leq 5.5\text{V}$ voltage range) and $V_{DD}=3.3\text{V}$ (for the $3\text{V} \leq V_{DD} \leq 4\text{V}$ voltage range). They are given only as design guidelines and are not tested.

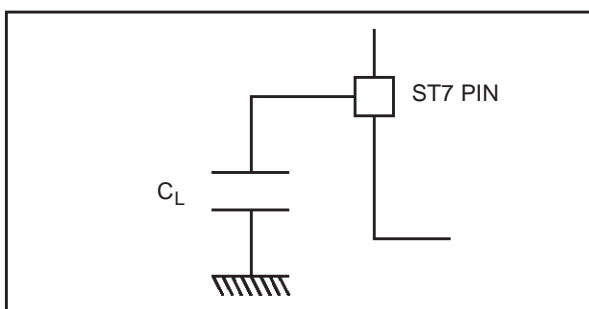
15.1.3 Typical curves

Unless otherwise specified, all typical curves are given only as design guidelines and are not tested.

15.1.4 Loading capacitor

The loading conditions used for pin parameter measurement are shown in Figure 53.

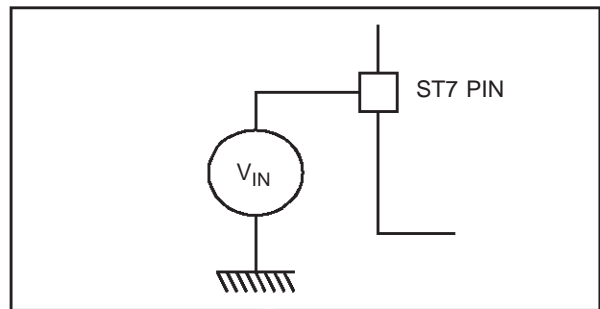
Figure 53. Pin loading conditions



15.1.5 Pin input voltage

The input voltage measurement on a pin of the device is described in Figure 54.

Figure 54. Pin input voltage



15.2 ABSOLUTE MAXIMUM RATINGS

Stresses above those listed as “absolute maximum ratings” may cause permanent damage to the device. This is a stress rating only and functional operation of the device under these condi-

tions is not implied. Exposure to maximum rating conditions for extended periods may affect device reliability.

15.2.1 Voltage Characteristics

| Symbol | Ratings | Maximum value | Unit |
|---|---|--|------|
| $V_{DD} - V_{SS}$ | Supply voltage | 6.5 | V |
| V_{IN} | Input voltage on any pin ^{1) & 2)} | $V_{SS}-0.3$ to $V_{DD}+0.3$ | |
| $ \Delta V_{DDx} $ and $ \Delta V_{SSx} $ | Variations between different digital power pins | 50 | mV |
| $ V_{SSA} - V_{SSx} $ | Variations between digital and analog ground pins | 50 | |
| $V_{ESD(HBM)}$ | Electro-static discharge voltage (Human Body Model) | see Section 15.7.2 “Absolute Electrical Sensitivity” on page 121 | |
| $V_{ESD(MM)}$ | Electro-static discharge voltage (Machine Model) | | |

15.2.2 Current Characteristics

| Symbol | Ratings | Maximum value | Unit |
|----------------------------|--|---------------|------|
| I_{VDD} | Total current into V_{DD} power lines (source) ³⁾ | 150 | mA |
| I_{VSS} | Total current out of V_{SS} ground lines (sink) ³⁾ | 150 | |
| I_{IO} | Output current sunk by any standard I/O and control pin | 25 | |
| | Output current sunk by any high sink I/O pin | 50 | |
| | Output current source by any I/Os and control pin | - 25 | |
| $I_{INJ(PIN)}^{2) \& 4)}$ | Injected current on \overline{ISPSEL} pin | ± 5 | |
| | Injected current on \overline{RESET} pin | ± 5 | |
| | Injected current on OSC1 and OSC2 pins | ± 5 | |
| | Injected current on any other pin ^{5) & 6)} | ± 5 | |
| $\Sigma I_{INJ(PIN)}^{2)}$ | Total injected current (sum of all I/O and control pins) ⁵⁾ | ± 20 | |

15.2.3 Thermal Characteristics

| Symbol | Ratings | Value | Unit |
|-----------|--|-------------|------|
| T_{STG} | Storage temperature range | -65 to +150 | °C |
| T_J | Maximum junction temperature (see Section 17 “DEVICE CONFIGURATION AND ORDERING INFORMATION” on page 143) | | |

Notes:

1. Directly connecting the \overline{RESET} and I/O pins to V_{DD} or V_{SS} could damage the device if an unintentional internal reset is generated or an unexpected change of the I/O configuration occurs (for example, due to a corrupted program counter). To guarantee safe operation, this connection has to be done through a pull-up or pull-down resistor (typical: 4.7kΩ for \overline{RESET} , 10kΩ for I/Os). Unused I/O pins must be tied in the same way to V_{DD} or V_{SS} according to their reset configuration.
2. When the current limitation is not possible, the V_{IN} absolute maximum rating must be respected, otherwise refer to $I_{INJ(PIN)}$ specification. A positive injection is induced by $V_{IN} > V_{DD}$ while a negative injection is induced by $V_{IN} < V_{SS}$.
3. All power (V_{DD}) and ground (V_{SS}) lines must always be connected to the external supply.
4. Negative injection disturbs the analog performance of the device. In particular, it induces leakage currents throughout the device including the analog inputs. To avoid undesirable effects on the analog functions, care must be taken:
 - Analog input pins must have a negative injection less than 0.8 mA (assuming that the impedance of the analog voltage is lower than the specified limits)
 - Pure digital pins must have a negative injection less than 1.6mA. In addition, it is recommended to inject the current as far as possible from the analog input pins.
5. When several inputs are submitted to a current injection, the maximum $\Sigma I_{INJ(PIN)}$ is the absolute sum of the positive and negative injected currents (instantaneous values). These results are based on characterisation with $\Sigma I_{INJ(PIN)}$ maximum current injection on four I/O port pins of the device.
6. True open drain I/O port pins do not accept positive injection.

15.3 OPERATING CONDITIONS

15.3.1 General Operating Conditions

| Symbol | Parameter | Conditions | Min | Max | Unit |
|------------------|---------------------------|--|-----------------|-----|------|
| V _{DD} | Supply voltage | see Figure 55 and Figure 56 | 3.2 | 5.5 | V |
| f _{OSC} | External clock frequency | V _{DD} ≥3.5V for ROM devices V _{DD} ≥4.5V for FLASH devices | 0 ¹⁾ | 16 | MHz |
| | | V _{DD} ≥3.2V | 0 ¹⁾ | 8 | |
| T _A | Ambient temperature range | 1 Suffix Version | 0 | 70 | °C |
| | | 6 Suffix Version | -40 | 85 | |
| | | 7 Suffix Version | -40 | 105 | |
| | | 3 Suffix Version | -40 | 125 | |

Figure 55. f_{OSC} Maximum Operating Frequency Versus V_{DD} Supply Voltage for ROM devices²⁾

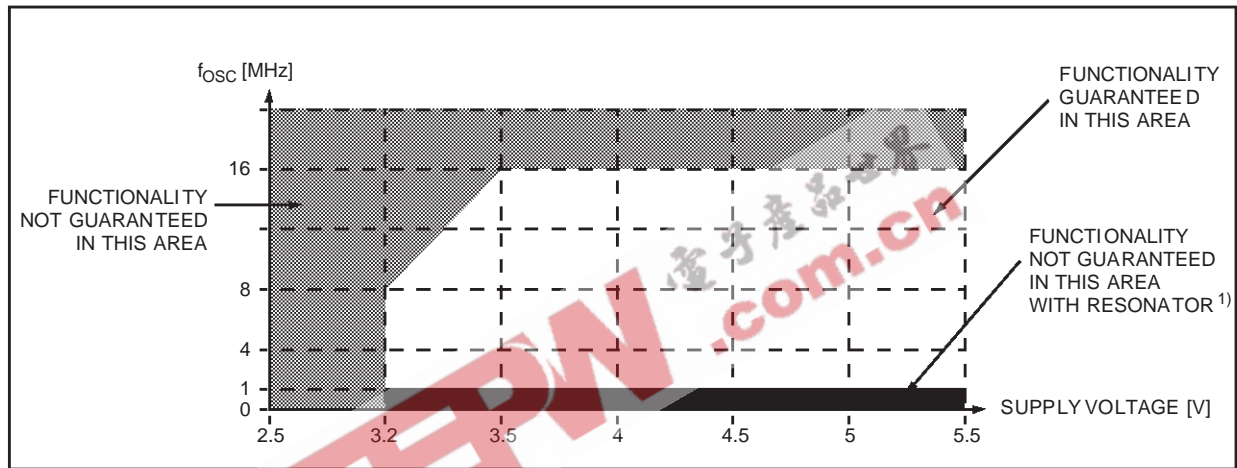
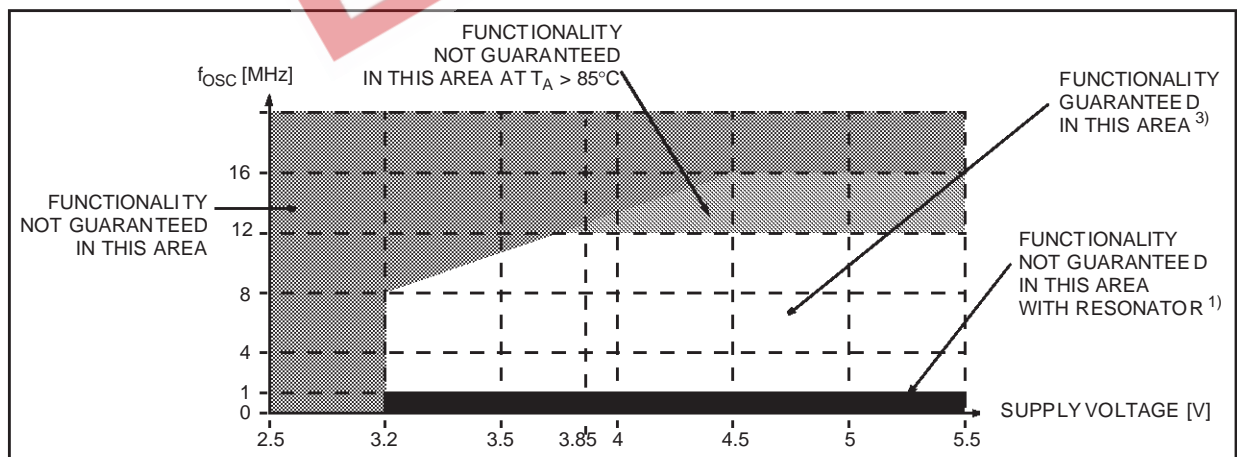


Figure 56. f_{OSC} Maximum Operating Frequency Versus V_{DD} Supply Voltage for FLASH devices²⁾



Notes:

1. Guaranteed by construction. A/D operation and resonator oscillator start-up are not guaranteed below 1MHz.
2. Operating conditions with T_A=-40 to +125°C.
3. FLASH programming tested in production at maximum T_A with two different conditions: V_{DD}=5.5V, f_{CPU}=6MHz and V_{DD}=3.2V, f_{CPU}=4MHz.

OPERATING CONDITIONS (Cont'd)

15.3.2 Operating Conditions with Low Voltage Detector (LVD)

Subject to general operating conditions for V_{DD} , f_{OSC} , and T_A .

| Symbol | Parameter | Condition s | Min | Typ ¹⁾ | Max | Unit |
|--------------|---|-----------------------------|--------------------|-------------------|------|------|
| V_{IT+} | Reset release threshold (V_{DD} rise) | High Threshold | 4.10 ²⁾ | 4.30 | 4.50 | V |
| | | Med. Threshold | 3.75 ²⁾ | 3.90 | 4.05 | |
| | | Low Threshold | 3.25 ²⁾ | 3.35 | 3.45 | |
| V_{IT-} | Reset generation threshold (V_{DD} fall) | High Threshold | 3.85 | 4.05 | 4.25 | V |
| | | Med. Threshold | 3.50 | 3.65 | 3.80 | |
| | | Low Threshold ⁴⁾ | 3.00 | 3.10 | 3.20 | |
| V_{hys} | LVD voltage threshold hysteresis | $V_{IT+}-V_{IT-}$ | 200 | 250 | 300 | mV |
| V_{tPOR} | V_{DD} rise time rate ³⁾ | | 0.2 | | 50 | V/ms |
| $t_{g(VDD)}$ | Filtered glitch delay on V_{DD} ²⁾ | Not detected by the LVD | | | 40 | ns |

Figure 57. High LVD Threshold Versus V_{DD} and f_{OSC} for FLASH devices³⁾

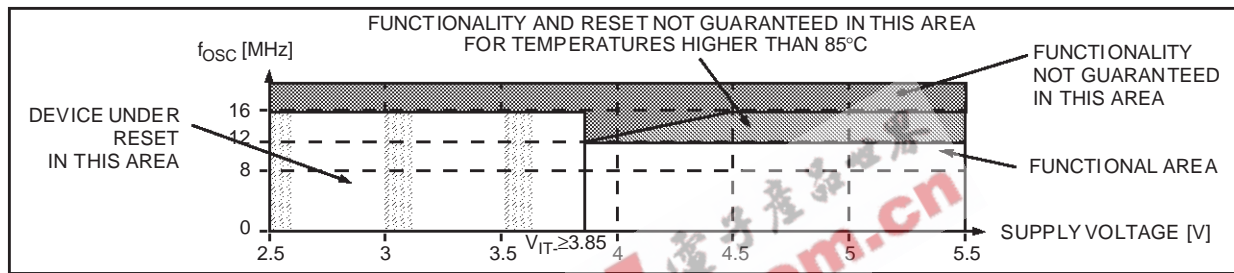


Figure 58. Medium LVD Threshold Versus V_{DD} and f_{OSC} for FLASH devices³⁾

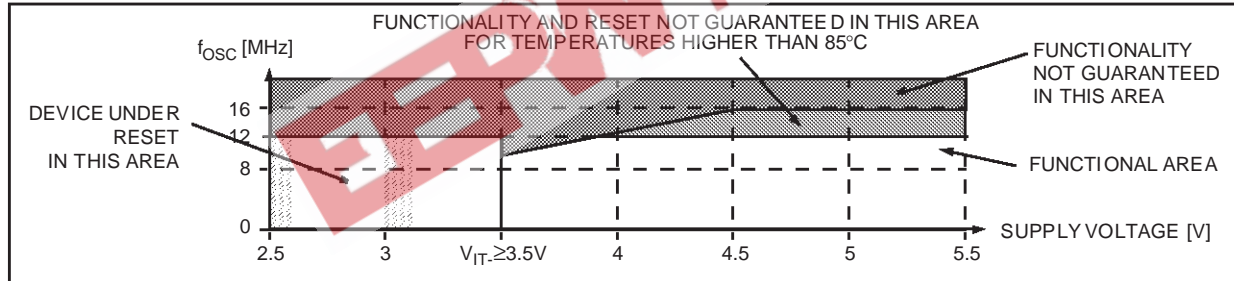
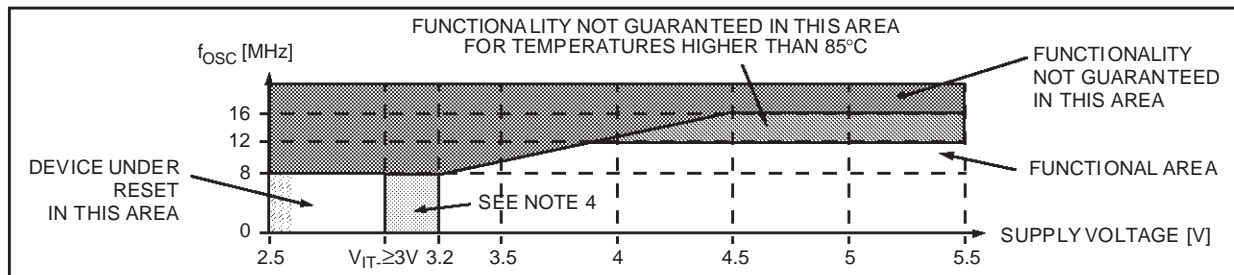


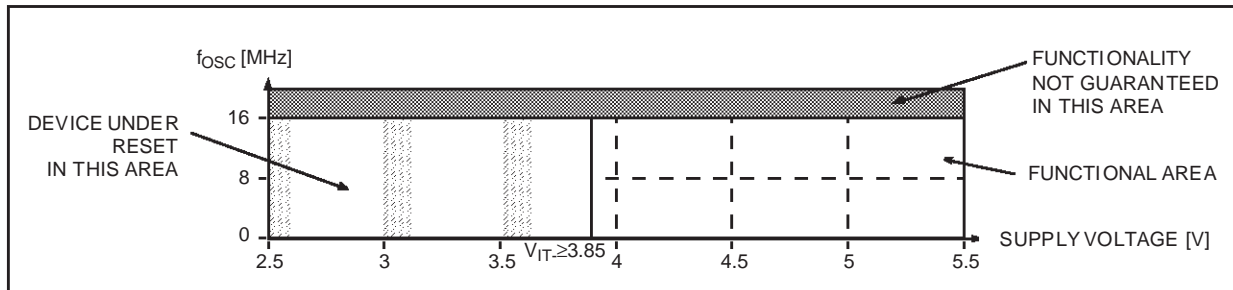
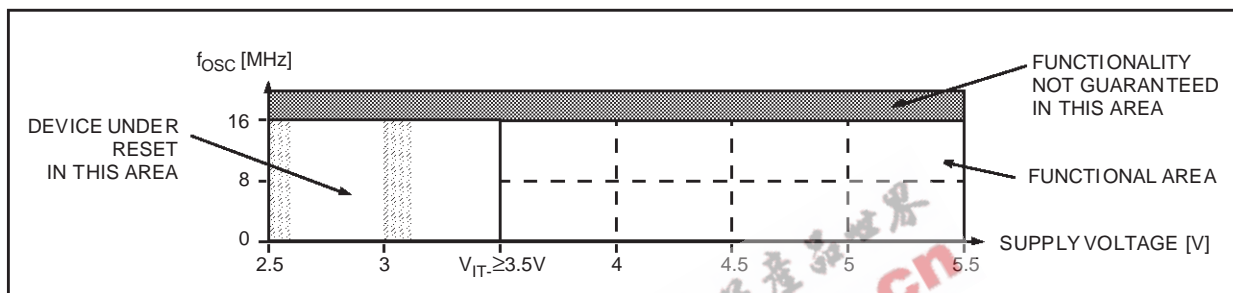
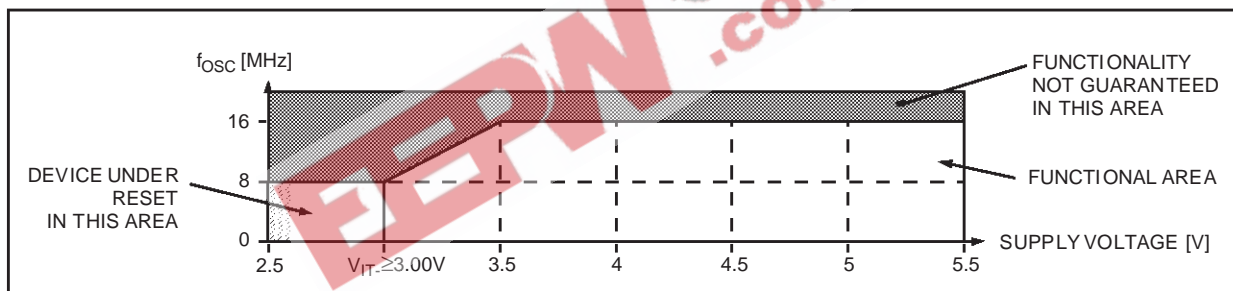
Figure 59. Low LVD Threshold Versus V_{DD} and f_{OSC} for FLASH devices²⁾⁴⁾



Notes:

- LVD typical data are based on $T_A=25^\circ\text{C}$. They are given only as design guidelines and are not tested.
- Data based on characterization results, not tested in production.
- The V_{DD} rise time rate condition is needed to insure a correct device power-on and LVD reset. Not tested in production.
- If the low LVD threshold is selected, when V_{DD} falls below 3.2V, (V_{DD} minimum operating voltage), the device is guaranteed to continue functioning until it goes into reset state. The specified V_{DD} min. value is necessary in the device power on phase, but during a power down phase or voltage drop the device will function below 2)4) min. level.

FUNCTIONAL OPERATING CONDITIONS (Cont'd)

Figure 60. High LVD Threshold Versus V_{DD} and f_{OSC} for ROM devices ²⁾Figure 61. Medium LVD Threshold Versus V_{DD} and f_{OSC} for ROM devices ²⁾Figure 62. Low LVD Threshold Versus V_{DD} and f_{OSC} for ROM devices ²⁾³⁾**Notes:**

1. LVD typical data are based on $T_A=25^\circ\text{C}$. They are given only as design guidelines and are not tested.
2. The minimum V_{DD} rise time rate is needed to insure a correct device power-on and LVD reset. Not tested in production.
3. If the low LVD threshold is selected, when V_{DD} falls below 3.2V, (V_{DD} minimum operating voltage), the device is guaranteed to continue functioning until it goes into reset state. The specified V_{DD} min. value is necessary in the device power on phase, but during a power down phase or voltage drop the device will function below this min. level.

15.4 SUPPLY CURRENT CHARACTERISTICS

The following current consumption specified for the ST7 functional operating modes over temperature range does not take into account the clock source current consumption. To get the total de-

vice consumption, the two current values must be added (except for HALT mode for which the clock is stopped).

| Symbol | Parameter | Conditions | Max | Unit |
|-----------------------------|--|---------------------------------|-----|------|
| $\Delta I_{DD}(\Delta T_a)$ | Supply current variation vs. temperature | Constant V_{DD} and f_{CPU} | 10 | % |

15.4.1 RUN and SLOW Modes

| Symbol | Parameter | Conditions | Typ ¹⁾ | Max ²⁾ | Unit |
|--|--|---------------------------------|-------------------|-------------------|------|
| I_{DD} | Supply current in RUN mode ³⁾ (see Figure 63) | $f_{OSC}=2MHz, f_{CPU}=1MHz$ | 1.2 | 1.8 | mA |
| | | $f_{OSC}=4MHz, f_{CPU}=2MHz$ | 2.1 | 3.5 | |
| | $f_{OSC}=8MHz, f_{CPU}=4MHz$ | 3.9 | 7.0 | | |
| | $f_{OSC}=16MHz, f_{CPU}=8MHz$ | 7.4 | 14.0 | | |
| Supply current in SLOW mode ⁴⁾ (see Figure 64) | $f_{OSC}=2MHz, f_{CPU}=62.5kHz$ | 0.4 | 0.9 | | |
| | $f_{OSC}=4MHz, f_{CPU}=125kHz$ | 0.5 | 1.1 | | |
| I_{DD} | Supply current in RUN mode ³⁾ (see Figure 63) | $f_{OSC}=2MHz, f_{CPU}=1MHz$ | 0.3 | 1 | mA |
| | | $f_{OSC}=4MHz, f_{CPU}=2MHz$ | 0.8 | 1.5 | |
| | $f_{OSC}=8MHz, f_{CPU}=4MHz$ | 1.6 | 3 | | |
| | $f_{OSC}=16MHz, f_{CPU}=8MHz$ | 3.5 | 7 | | |
| Supply current in SLOW mode ⁴⁾ (see Figure 64) | $f_{OSC}=2MHz, f_{CPU}=62.5kHz$ | 0.1 | 0.3 | | |
| | $f_{OSC}=4MHz, f_{CPU}=125kHz$ | 0.2 | 0.5 | | |
| I_{DD} | Supply current in SLOW mode ⁴⁾ (see Figure 64) | $f_{OSC}=8MHz, f_{CPU}=250kHz$ | 0.3 | 0.6 | mA |
| | | $f_{OSC}=16MHz, f_{CPU}=500kHz$ | 0.5 | 1.0 | |

Figure 63. Typical I_{DD} in RUN vs. f_{CPU}

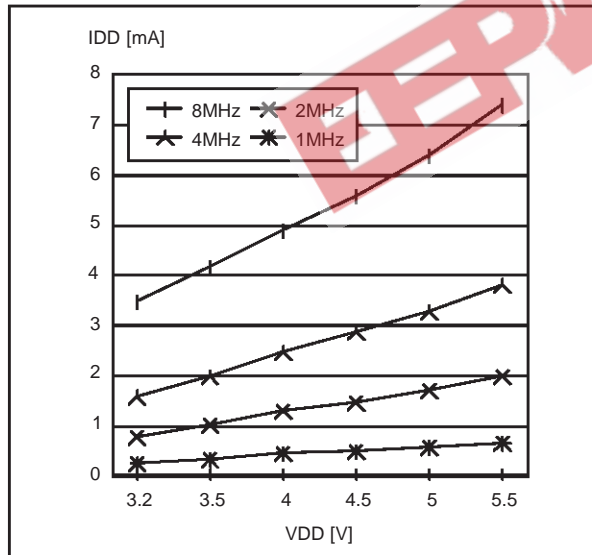
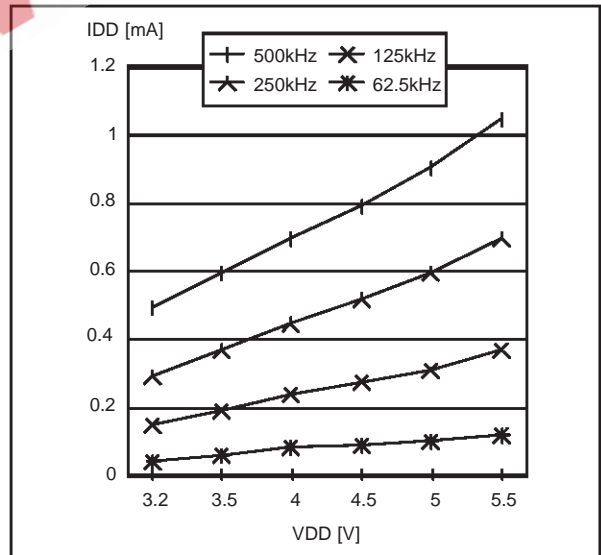


Figure 64. Typical I_{DD} in SLOW vs. f_{CPU}



Notes:

1. Typical data are based on $T_A=25^\circ C$, $V_{DD}=5V$ ($4.5V \leq V_{DD} \leq 5.5V$ range) and $V_{DD}=3.4V$ ($3.2V \leq V_{DD} \leq 3.6V$ range).
2. Data based on characterization results, tested in production at V_{DD} max. and f_{CPU} max.
3. CPU running with memory access, all I/O pins in input mode with a static value at V_{DD} or V_{SS} (no load), all peripherals in reset state; clock input (OSC1) driven by external square wave, CSS and LVD disabled.
4. SLOW mode selected with f_{CPU} based on f_{OSC} divided by 32. All I/O pins in input mode with a static value at V_{DD} or V_{SS} (no load), all peripherals in reset state; clock input (OSC1) driven by external square wave, CSS and LVD disabled.

SUPPLY CURRENT CHARACTERISTICS (Cont'd)

15.4.2 WAIT and SLOW WAIT Modes

| Symbol | Parameter | Conditions | Typ ¹⁾ | Max ²⁾ | Unit | |
|---|--|---|--|-------------------|------|-----|
| I _{DD} | Supply current in WAIT mode ³⁾ (see Figure 65) | 4.5V ≤ V _{DD} ≤ 5.5V | f _{OSC} =2MHz, f _{CPU} =1MHz | 0.35 | 0.6 | mA |
| | | | f _{OSC} =4MHz, f _{CPU} =2MHz | 0.7 | 1.2 | |
| | f _{OSC} =8MHz, f _{CPU} =4MHz | 1.3 | 2.1 | | | |
| | f _{OSC} =16MHz, f _{CPU} =8MHz | 2.5 | 4.0 | | | |
| Supply current in SLOW WAIT mode ⁴⁾ (see Figure 66) | 4.5V ≤ V _{DD} ≤ 5.5V | f _{OSC} =2MHz, f _{CPU} =62.5kHz | 0.05 | 0.1 | | |
| | | f _{OSC} =4MHz, f _{CPU} =125kHz | 0.1 | 0.2 | | |
| Supply current in WAIT mode ³⁾ (see Figure 65) | 3.2V ≤ V _{DD} ≤ 3.6V | f _{OSC} =2MHz, f _{CPU} =1MHz | 45 | 100 | μA | |
| | | | f _{OSC} =4MHz, f _{CPU} =2MHz | 150 | | 300 |
| | f _{OSC} =8MHz, f _{CPU} =4MHz | 300 | 600 | | | |
| | f _{OSC} =16MHz, f _{CPU} =8MHz | 500 | 1000 | | | |
| Supply current in SLOW WAIT mode ⁴⁾ (see Figure 66) | 3.2V ≤ V _{DD} ≤ 3.6V | f _{OSC} =2MHz, f _{CPU} =62.5kHz | 6 | 20 | | |
| | | | f _{OSC} =4MHz, f _{CPU} =125kHz | 40 | 100 | |
| f _{OSC} =8MHz, f _{CPU} =250kHz | 80 | 160 | | | | |
| | f _{OSC} =16MHz, f _{CPU} =500kHz | 120 | 250 | | | |

Figure 65. Typical I_{DD} in WAIT vs. f_{CPU}

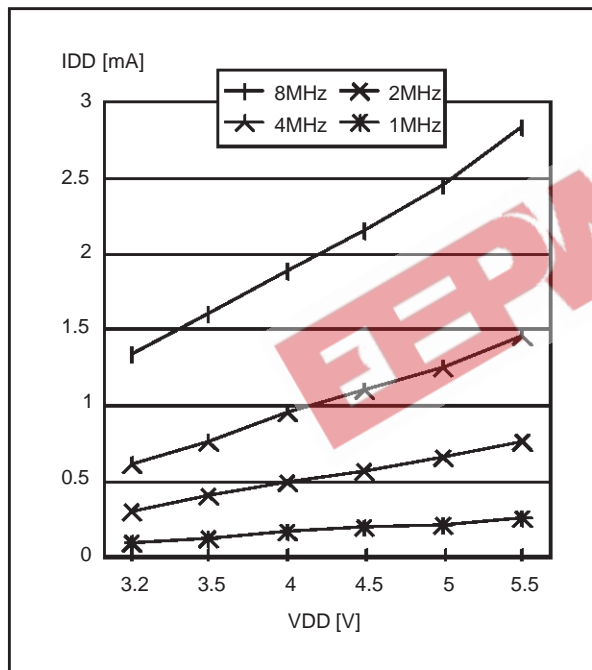
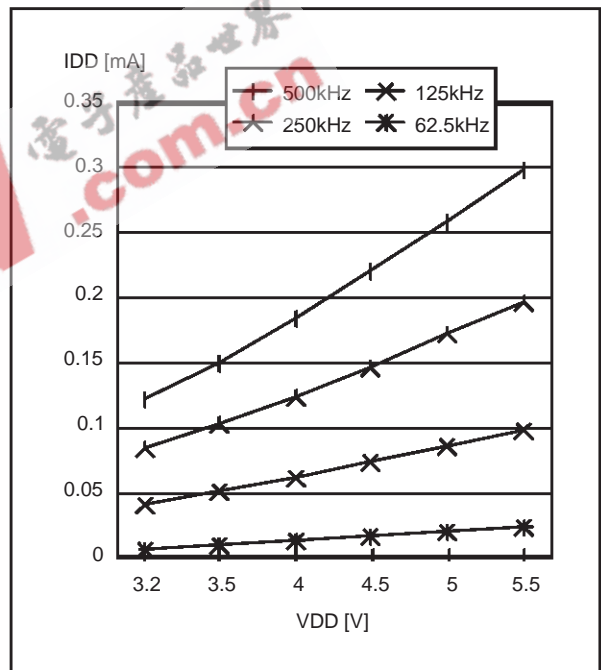


Figure 66. Typical I_{DD} in SLOW-WAIT vs. f_{CPU}



Notes:

1. Typical data are based on T_A=25°C, V_{DD}=5V (4.5V ≤ V_{DD} ≤ 5.5V range) and V_{DD}=3.4V (3.2V ≤ V_{DD} ≤ 3.6V range).
2. Data based on characterization results, tested in production at V_{DD} max. and f_{CPU} max.
3. All I/O pins in input mode with a static value at V_{DD} or V_{SS} (no load), all peripherals in reset state; clock input (OSC1) driven by external square wave, CSS and LVD disabled.
4. SLOW-WAIT mode selected with f_{CPU} based on f_{OSC} divided by 32. All I/O pins in input mode with a static value at V_{DD} or V_{SS} (no load), all peripherals in reset state; clock input (OSC1) driven by external square wave, CSS and LVD disabled.

SUPPLY CURRENT CHARACTERISTICS (Cont'd)

15.4.3 HALT and ACTIVE-HALT Modes

| Symbol | Parameter | Conditions | | Typ ¹⁾ | Max | Unit |
|-----------------|--|-----------------------|---------------------------------|-------------------|-----|------|
| I _{DD} | Supply current in HALT mode ²⁾ | V _{DD} =5.5V | -40°C ≤ T _A ≤ +85°C | 0 | 10 | μA |
| | | | -40°C ≤ T _A ≤ +125°C | | 50 | |
| | | V _{DD} =3.6V | -40°C ≤ T _A ≤ +85°C | | 6 | |
| | | | -40°C ≤ T _A ≤ +125°C | | 50 | |
| | Supply current in ACTIVE-HALT mode ³⁾ | | | 50 | 150 | |

15.4.4 Supply and Clock Managers

The previous current consumption specified for the ST7 functional operating modes over temperature range does not take into account the clock

source current consumption. To get the total device consumption, the two current values must be added (except for HALT mode).

| Symbol | Parameter | Conditions | Typ ¹⁾ | Max ⁴⁾ | Unit |
|---------------------------|---|-----------------------------|-------------------|-------------------|------|
| I _{DD(CK)} | Supply current of internal RC oscillator | | 500 | 750 | μA |
| | Supply current of external RC oscillator ⁵⁾ | | 525 | 750 | |
| | Supply current of resonator oscillator ^{5) & 6)} | LP: Low power oscillator | 200 | 400 | |
| | | MP: Medium power oscillator | 300 | 550 | |
| | | MS: Medium speed oscillator | 450 | 750 | |
| HS: High speed oscillator | | 700 | 1000 | | |
| | Clock security system supply current | | 150 | 350 | |
| I _{DD(LVD)} | LVD supply current | HALT mode | 100 | 150 | |

15.4.5 On-Chip Peripherals

| Symbol | Parameter | Conditions | | Typ | Unit |
|----------------------|--|------------------------|-----------------------|------|------|
| I _{DD(TIM)} | 16-bit Timer supply current ⁷⁾ | f _{CPU} =8MHz | V _{DD} =3.4V | 50 | μA |
| | | | V _{DD} =5.0V | 150 | |
| I _{DD(SPI)} | SPI supply current ⁸⁾ | f _{CPU} =8MHz | V _{DD} =3.4V | 250 | |
| | | | V _{DD} =5.0V | 350 | |
| I _{DD(ADC)} | ADC supply current when converting ⁹⁾ | f _{ADC} =4MHz | V _{DD} =3.4V | 800 | |
| | | | V _{DD} =5.0V | 1100 | |

Notes:

1. Typical data are based on T_A=25°C.
2. All I/O pins in input mode with a static value at V_{DD} or V_{SS} (no load), CSS and LVD disabled. Data based on characterization results, tested in production at V_{DD} max. and f_{CPU} max.
3. Data based on design simulation and/or technology characteristics, not tested in production. All I/O pins in input mode with a static value at V_{DD} or V_{SS} (no load); clock input (OSC1) driven by external square wave, LVD disabled.
4. Data based on characterization results, not tested in production.
5. Data based on characterization results done with the external components specified in Section 15.5.3 and Section 15.5.5, not tested in production.
6. As the oscillator is based on a current source, the consumption does not depend on the voltage.
7. Data based on a differential I_{DD} measurement between reset configuration (timer counter running at f_{CPU}/4) and timer counter stopped (selecting external clock capability). Data valid for one timer.
8. Data based on a differential I_{DD} measurement between reset configuration and a permanent SPI master communication (data sent equal to 55h).
9. Data based on a differential I_{DD} measurement between reset configuration and continuous A/D conversions.

15.5 CLOCK AND TIMING CHARACTERISTICS

Subject to general operating conditions for V_{DD} , f_{OSC} , and T_A .

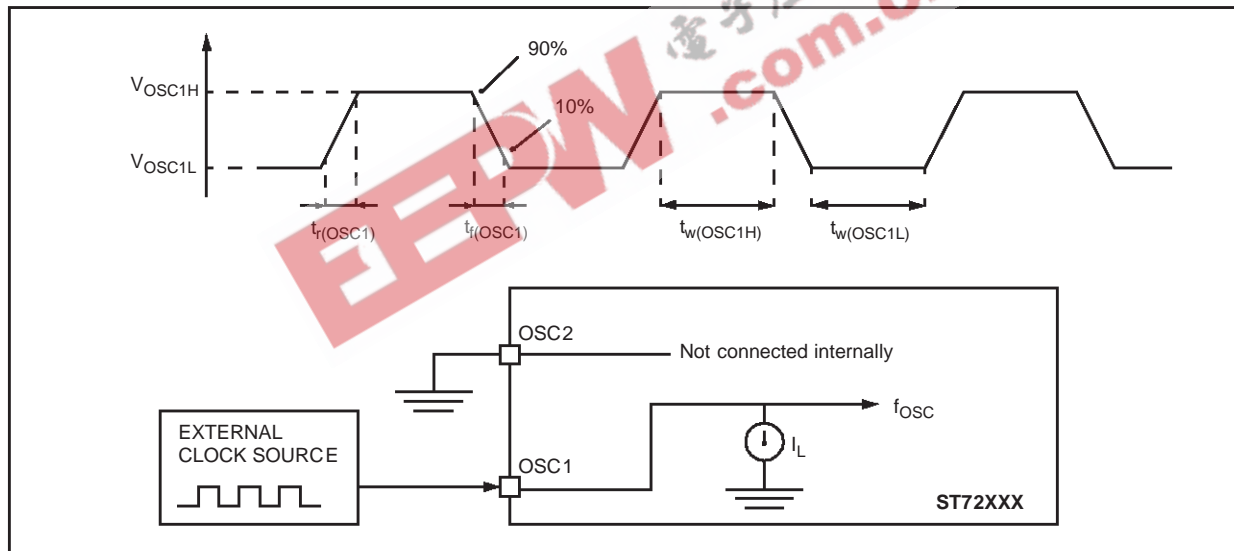
15.5.1 General Timings

| Symbol | Parameter | Conditions | Min | Typ ¹⁾ | Max | Unit |
|---------------|--|----------------|------|-------------------|------|-----------|
| $t_{c(INST)}$ | Instruction cycle time | | 2 | 3 | 12 | t_{CPU} |
| | | $f_{CPU}=8MHz$ | 250 | 375 | 1500 | ns |
| $t_{V(IT)}$ | Interrupt reaction time ²⁾ $t_{V(IT)} = \Delta t_{c(INST)} + 10$ | | 10 | | 22 | t_{CPU} |
| | | $f_{CPU}=8MHz$ | 1.25 | | 2.75 | μs |

15.5.2 External Clock Source

| Symbol | Parameter | Conditions | Min | Typ | Max | Unit |
|------------------------------|--------------------------------------|----------------------------------|---------------------|-----|---------------------|---------|
| V_{OSC1H} | OSC1 input pin high level voltage | see Figure 67 | $0.7 \times V_{DD}$ | | V_{DD} | V |
| V_{OSC1L} | OSC1 input pin low level voltage | | V_{SS} | | $0.3 \times V_{DD}$ | |
| $t_w(OSC1H)$ $t_w(OSC1L)$ | OSC1 high or low time ³⁾ | | 15 | | | ns |
| $t_r(OSC1)$ $t_f(OSC1)$ | OSC1 rise or fall time ³⁾ | | | | 15 | |
| I_L | OSCx Input leakage current | $V_{SS} \leq V_{IN} \leq V_{DD}$ | | | ± 1 | μA |

Figure 67. Typical Application with an External Clock Source



Notes:

1. Data based on typical application software.
2. Time measured between interrupt event and interrupt vector fetch. $\Delta t_{c(INST)}$ is the number of t_{CPU} cycles needed to finish the current instruction execution.
3. Data based on design simulation and/or technology characteristics, not tested in production.

CLOCK AND TIMING CHARACTERISTICS (Cont'd)

15.5.3 Crystal and Ceramic Resonator Oscillators

The ST7 internal clock can be supplied with four different Crystal/Ceramic resonator oscillators. All the information given in this paragraph are based on characterization results with specified typical external components. In the application, the resonator and the load capacitors have to be placed as

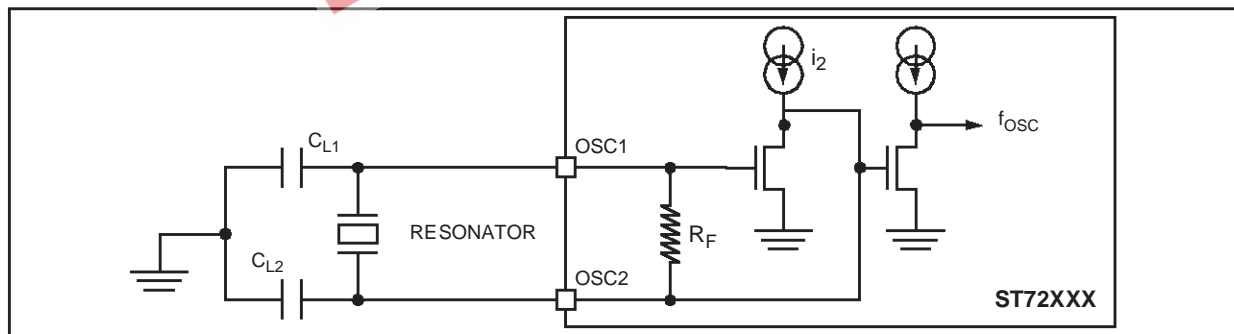
close as possible to the oscillator pins in order to minimize output distortion and start-up stabilization time. Refer to the crystal/ceramic resonator manufacturer for more details (frequency, package, accuracy...).

| Symbol | Parameter | Conditions | Min | Max | Unit |
|----------------------|---|--|-------------------------|--------------------------|------------|
| f_{OSC} | Oscillator Frequency ³⁾ | LP: Low power oscillator MP: Medium power oscillator MS: Medium speed oscillator HS: High speed oscillator | 1 >2 >4 >8 | 2 4 8 16 | MHz |
| R_F | Feedback resistor | | 20 | 40 | k Ω |
| C_{L1} C_{L2} | Recommended load capacitances versus equivalent serial resistance of the crystal or ceramic resonator (R_S) | $R_S=200\Omega$ LP oscillator $R_S=200\Omega$ MP oscillator $R_S=200\Omega$ MS oscillator $R_S=100\Omega$ HS oscillator | 38 32 18 15 | 56 46 26 21 | pF |
| i_2 | OSC2 driving current | $V_{DD}=5V$ $V_{IN}=V_{SS}$ LP oscillator MP oscillator MS oscillator HS oscillator | 40 110 180 400 | 100 190 360 700 | μA |

15.5.3.1 Typical Crystal Resonators

| Option Byte Config. | Reference | Freq. | Characteristic ¹⁾ | C_{L1} [pF] | C_{L2} [pF] | $t_{SU(OSC)}$ [ms] ²⁾ |
|---------------------|-------------------|-------|---|---------------|---------------|----------------------------------|
| LP | S-200-30-30/50 | 2MHz | $\Delta f_{OSC}=[\pm 30ppm_{25^\circ C}, \pm 30ppm_{\Delta Ta}]$, Typ. $R_S=200\Omega$ | 33 | 34 | 10~15 |
| MP | SS3-400-30-30/30 | 4MHz | $\Delta f_{OSC}=[\pm 30ppm_{25^\circ C}, \pm 30ppm_{\Delta Ta}]$, Typ. $R_S=60\Omega$ | 33 | 34 | 7~10 |
| MS | SS3-800-30-30/30 | 8MHz | $\Delta f_{OSC}=[\pm 30ppm_{25^\circ C}, \pm 30ppm_{\Delta Ta}]$, Typ. $R_S=25\Omega$ | 33 | 34 | 2.5~3 |
| HS | SS3-1600-30-30/30 | 16MHz | $\Delta f_{OSC}=[\pm 30ppm_{25^\circ C}, \pm 30ppm_{\Delta Ta}]$, Typ. $R_S=15\Omega$ | 33 | 34 | 1~1.5 |

Figure 68. Application with a Crystal Resonator



Notes:

1. Resonator characteristics given by the crystal manufacturer.
2. $t_{SU(OSC)}$ is the typical oscillator start-up time measured between $V_{DD}=2.8V$ and the fetch of the first instruction (with a quick V_{DD} ramp-up from 0 to 5V (<50 μs).
3. The oscillator selection can be optimized in terms of supply current using an high quality resonator with small R_S value. Refer to crystal manufacturer for more details.

CLOCK AND TIMING CHARACTERISTICS (Cont'd)

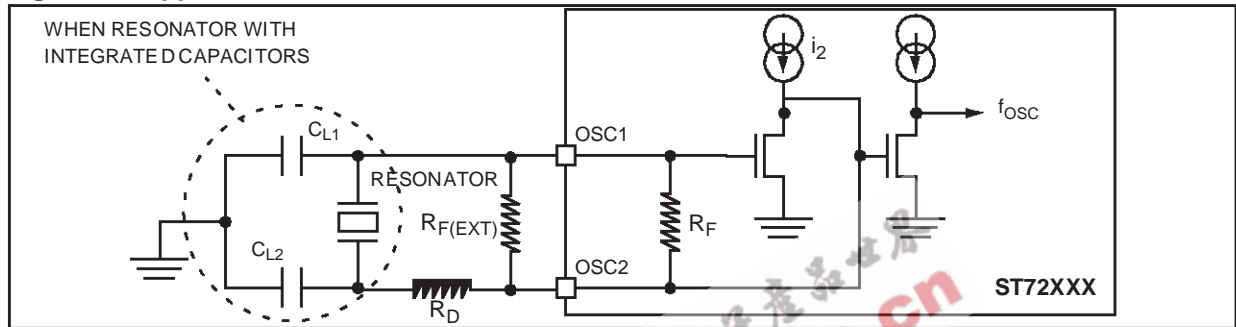
15.5.4 Typical Ceramic Resonators

| Symbol | Parameter | Conditions | | Typ | Unit |
|---------------|--------------------------------|------------|-------|-----|------|
| $t_{SU(osc)}$ | Ceramic resonator startup time | LP | 2MHz | 4.2 | ms |
| | | MP | 4MHz | 2.1 | |
| | | MS | 8MHz | 1.1 | |
| | | HS | 16MHz | 0.7 | |

Note:

$t_{SU(OSC)}$ is the typical oscillator start-up time measured between $V_{DD}=2.8V$ and the fetch of the first instruction (with a quick V_{DD} ramp-up from 0 to 5V (<50 μ s)).

Figure 69. Application with Ceramic Resonator



Notes:

1. Resonator characteristics given by the ceramic resonator manufacturer.
2. $t_{SU(OSC)}$ is the typical oscillator start-up time measured between $V_{DD}=2.8V$ and the fetch of the first instruction (with a quick V_{DD} ramp-up from 0 to 5V (<50 μ s)).
3. The oscillator selection can be optimized in terms of supply current using an high quality resonator with small R_S value. Refer to Table 23 and Table 24 and to the ceramic resonator manufacturer's documentation for more details.

CLOCK AND TIMING CHARACTERISTICS (Cont'd)

Table 23. Typical Ceramic Resonators

| Option Byte Config. | f _{osc} (MHz) | Resonator Part Number ¹⁾ | C _{L1} [pF] ³ | C _{L2} [pF] ³ | R _{FEXT} kΩ | R _D [kΩ] | | | | | | | | | | | | | | | | |
|---------------------|------------------------|-------------------------------------|-----------------------------------|-----------------------------------|----------------------|---------------------|---|-----------------|------|------|---|------|------|------|---|------|------|------|---|------|------|---|
| LP | 1 | CSB1000JA | 100 | 100 | Open | 3.3 | | | | | | | | | | | | | | | | |
| | | CSBF1000JA | | | | | | | | | | | | | | | | | | | | |
| LP | 2 | CSTS0200MGA06 | (47) | (47) | | Open | 0 | | | | | | | | | | | | | | | |
| | | CSTCC2.00MGA0H6 | | | | | | | | | | | | | | | | | | | | |
| MP | 2 | CSTS0200MGA06 | | | | | | (47) | (47) | Open | 0 | | | | | | | | | | | |
| | | CSTCC2.00MGA0H6 | | | | | | | | | | | | | | | | | | | | |
| MP | 4 | CSTS0400MGA06 | | | | | | | | | | (47) | (47) | Open | 0 | | | | | | | |
| | | CSTCC4.00MGA0H6 | | | | | | | | | | | | | | | | | | | | |
| MS | 4 | CSTS0400MGA06 | | | | | | | | | | | | | | (47) | (47) | Open | 0 | | | |
| | | CSTCC4.00MGA0H6 | | | | | | | | | | | | | | | | | | | | |
| MS | 8 | CSTS0800MGA06 | | | (47) | | | | | | | | | | | | | | | (47) | Open | 0 |
| | | CSTCC8.00MGA0H6 | | | | | | | | | | | | | | | | | | | | |
| HS | 8 | CSTS0800MGA06 | (47) | (47) | | Open | 0 | | | | | | | | | | | | | | | |
| | | CSTCC8.00MGA0H6 | | | | | | | | | | | | | | | | | | | | |
| | 10 | CST10.0MTWA | | | | | | 30 | 30 | | | | | | | | | | | | | |
| | | CSTCC10.0MGA | | | | | | (15) | (15) | | | | | | | | | | | | | |
| | 12 | CST12.0MTWA | | | | | | 30 | 30 | | | | | | | | | | | | | |
| | | CSTCS12.0MTA | | | | | | (30) | (30) | | | | | | | | | | | | | |
| | 16 ²⁾ | 16 ²⁾ | | | | | | CSA16.00MXZA040 | 15 | 15 | | | | | | | | | | | | |
| | | | | | | | | CST16.00MXWA0C3 | (15) | (15) | | | | | | | | | | | | |
| CSACV16.00MXA040Q | | | | | 15 | | | 15 | | | | | | | | | | | | | | |
| CSTCV16.00MXA0H3Q | | | | | (15) | | | (15) | | | | | | | | | | | | | | |
| | | | | | 10 | | | | | | | | | | | | | | | | | |

Table 24. Resonator Frequency Correlation Factor

| Option Byte Config. | Resonator ¹⁾ | Correlation % | Reference IC |
|---------------------|-------------------------|---------------|--------------|
| LP | CSB1000JA | +0.03 | 4069UBE |
| | CSTS0200MGA06 | -0.20 | 74HCU04 |
| | CSTCC2.00MGA0H6 | -0.16 | |
| MP | CSTS0200MGA06 | -0.21 | |
| | CSTCC2.00MGA0H6 | -0.19 | |
| | CSTS0400MGA06 | 0.02 | |
| | CSTCC4.00MGA0H6 | -0.05 | |
| MS | CSTS0400MGA06 | -0.03 | 74HCU04 |
| | CSTCC4.00MGA0H6 | -0.05 | |
| | CSTS0800MGA06 | +0.03 | |
| | CSTCC4.00MGA0H6 | +0.02 | |
| HS | CSTS0800MGA06 | +0.02 | 4069UBE |
| | CSTCC8.00MGA0H6 | +0.01 | |
| | CSTS10.0MTWA | +0.38 | |
| | CSTCC10.0MGA | +0.61 | 74HCU04 |
| | CST12.0MTWA | +0.38 | |
| | CSTCS12.0MTA | +0.42 | |
| | CSA16.00MXZA040 | +0.10 | |
| CSACV16.00MXA040Q | +0.08 | | |

Notes:

1. Murata Ceralock
2. V_{DD} 4.5 to 5.5V
3. Values in parentheses refer to the capacitors integrated in the resonator

CLOCK CHARACTERISTICS (Cont'd)

15.5.5 RC Oscillators

The ST7 internal clock can be supplied with an RC oscillator. This oscillator can be used with internal or external components (selectable by option byte).

| Symbol | Parameter | Conditions | Min | Typ | Max | Unit |
|---|--|---|-----------------|-----|------|------|
| f _{OSC} | Internal RC oscillator frequency ¹⁾ | see Figure 71 | 3.60 | | 5.10 | MHz |
| | External RC oscillator frequency ²⁾ | | 1 | | 14 | |
| t _{SU(OSC)} | Internal RC Oscillator Start-up Time ³⁾ | | | 2.0 | | ms |
| | External RC Oscillator Start-up Time ³⁾ | R _{EX} =47KΩ, C _{EX} =∞pF | | 1.0 | | |
| | | R _{EX} =47KΩ, C _{EX} =100pF | | 6.5 | | |
| | | R _{EX} =10KΩ, C _{EX} =6.8pF | | 0.7 | | |
| R _{EX} =10KΩ, C _{EX} =470pF | | 3.0 | | | | |
| R _{EX} | Oscillator external resistor ⁴⁾ | see Figure 72 | 10 | | 47 | KΩ |
| C _{EX} | Oscillator external capacitor | | 0 ⁵⁾ | | 470 | pF |

Figure 70. Typical Application with RC oscillator

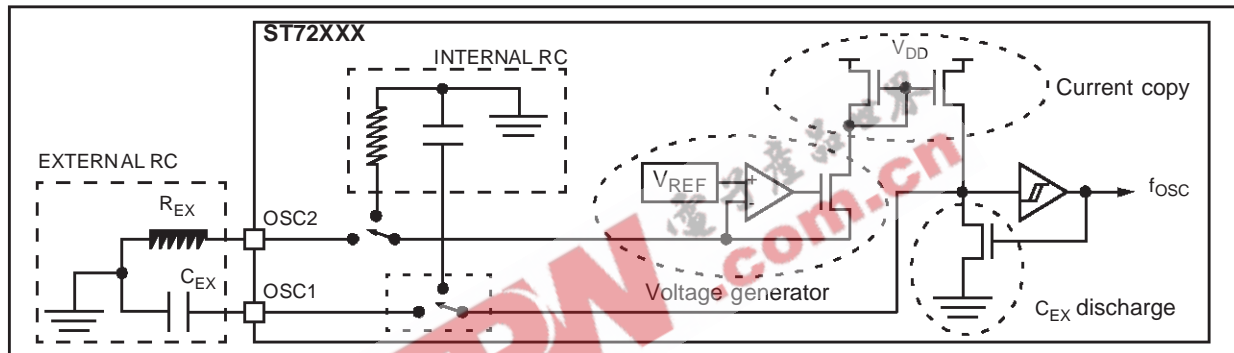


Figure 71. Typical Internal RC Oscillator

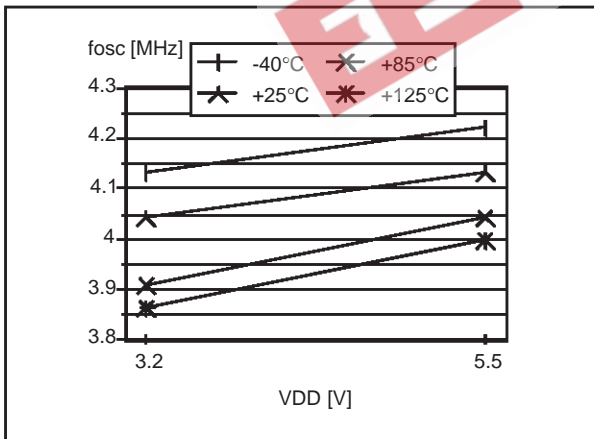
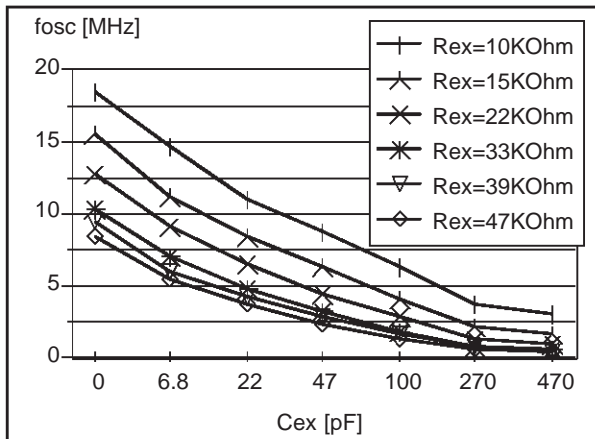


Figure 72. Typical External RC Oscillator



Notes:

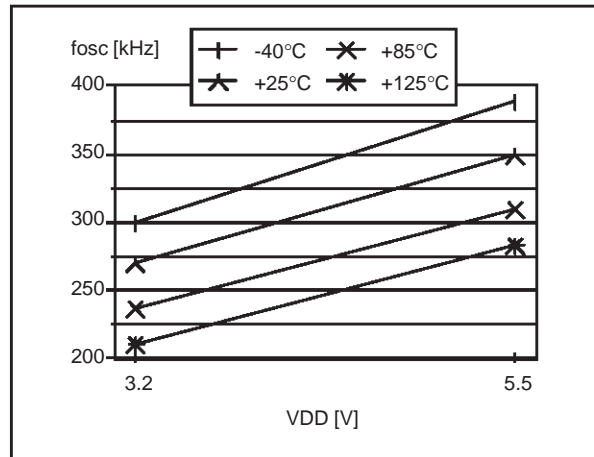
1. Data based on characterization results.
2. Guaranteed frequency range with the specified C_{EX} and R_{EX} ranges taking into account the device process variation. Data based on design simulation.
3. Data based on characterization results done with V_{DD} nominal at 5V, not tested in production.
4. R_{EX} must have a positive temperature coefficient (ppm/°C), carbon resistors should therefore not be used.
5. **Important:** when no external C_{EX} is applied, the capacitance to be considered is the global parasitic capacitance which is subject to high variation (package, application...). In this case, the RC oscillator frequency tuning has to be done by trying out several resistor values.

CLOCK CHARACTERISTICS (Cont'd)

15.5.6 Clock Security System (CSS)

| Symbol | Parameter | Conditions | Min | Typ | Max | Unit |
|--------------------|---|---|-----|-----|-----|------|
| f _{SFOSC} | Safe Oscillator Frequency ¹⁾ | T _A =25°C, V _{DD} =5.0V | 250 | 340 | 430 | kHz |
| | | T _A =25°C, V _{DD} =3.4V | 190 | 260 | 330 | |
| f _{GFOSC} | Glitch Filtered Frequency ²⁾ | | | 30 | | MHz |

Figure 73. Typical Safe Oscillator Frequencies



Note:

1. Data based on characterization results, tested in production between 90kHz and 500kHz.
2. Filtered glitch on the f_{OSC} signal. See functional description in Section 8.4 on page 29 for more details.

15.6 MEMORY CHARACTERISTICS

15.6.1 RAM and Hardware Registers

| Symbol | Parameter | Conditions | Min | Typ | Max | Unit |
|----------|-----------------------------------|----------------------|-----|-----|-----|------|
| V_{RM} | Data retention mode ¹⁾ | HALT mode (or RESET) | 1.6 | | | V |

15.6.2 EEPROM Data Memory

| Symbol | Parameter | Conditions | Min | Typ | Max | Unit |
|------------|---|--|---------|-----|-----|--------|
| t_{prog} | Programming time for 1~16 bytes ³⁾ | $-40^{\circ}\text{C} \leq T_A \leq +85^{\circ}\text{C}$ | | | 20 | ms |
| | | $-40^{\circ}\text{C} \leq T_A \leq +125^{\circ}\text{C}$ | | | 25 | |
| t_{ret} | Data retention ⁵⁾ | $T_A = +55^{\circ}\text{C}$ ⁴⁾ | 20 | | | Years |
| N_{RW} | Write erase cycles ⁵⁾ | $T_A = +25^{\circ}\text{C}$ | 300 000 | | | Cycles |

15.6.3 FLASH Program Memory

| Symbol | Parameter | Conditions | Min | Typ | Max | Unit |
|---------------|---|---|-----|-----|-----|--------------------|
| $T_{A(prog)}$ | Programming temperature range ²⁾ | | 0 | 25 | 70 | $^{\circ}\text{C}$ |
| t_{prog} | Programming time for 1~16 bytes ³⁾ | $T_A = +25^{\circ}\text{C}$ | | 8 | 25 | ms |
| | Programming time for 4 or 8kBytes | $T_A = +25^{\circ}\text{C}$ | | 2.1 | 6.4 | sec |
| t_{ret} | Data retention ⁵⁾ | $T_A = +55^{\circ}\text{C}$ ⁴⁾ | 20 | | | years |
| N_{RW} | Write erase cycles ⁵⁾ | $T_A = +25^{\circ}\text{C}$ | 100 | | | cycles |

Notes:

1. Minimum V_{DD} supply voltage without losing data stored in RAM (in in HALT mode or under RESET) or in hardware registers (only in HALT mode). Guaranteed by construction, not tested in production.
2. Data based on characterization results, tested in production at $T_A = 25^{\circ}\text{C}$.
3. Up to 16 bytes can be programmed at a time for a 4kBytes FLASH block (then up to 32 bytes at a time for an 8k device)
4. The data retention time increases when the T_A decreases.
5. Data based on reliability test results and monitored in production.

15.7 EMC CHARACTERISTICS

Susceptibility tests are performed on a sample basis during product characterization.

15.7.1 Functional EMS

(Electro Magnetic Susceptibility)

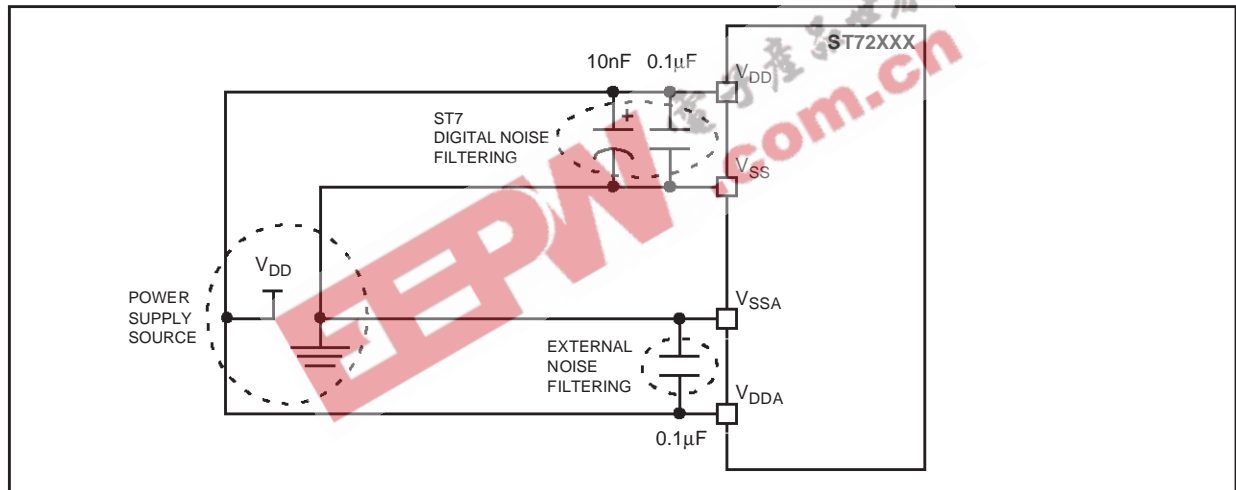
Based on a simple running application on the product (toggling 2 LEDs through I/O ports), the product is stressed by two electro magnetic events until a failure occurs (indicated by the LEDs).

- **ESD:** Electro-Static Discharge (positive and negative) is applied on all pins of the device until a functional disturbance occurs. This test conforms with the IEC 1000-4-2 standard.
- **FTB:** A Burst of Fast Transient voltage (positive and negative) is applied to V_{DD} and V_{SS} through a 100pF capacitor, until a functional disturbance occurs. This test conforms with the IEC 1000-4-4 standard.

A device reset allows normal operations to be resumed.

| Symbol | Parameter | Condition s | Neg ¹⁾ | Pos ¹⁾ | Unit |
|------------|--|--|-------------------|-------------------|------|
| V_{FESD} | Voltage limits to be applied on any I/O pin to induce a functional disturbance | $V_{DD}=5V, T_A=+25^{\circ}C, f_{OSC}=8MHz$ conforms to IEC 1000-4-2 | -1 | 1 | kV |
| V_{FFTB} | Fast transient voltage burst limits to be applied through 100pF on V_{DD} and V_{DD} pins to induce a functional disturbance | $V_{DD}=5V, T_A=+25^{\circ}C, f_{OSC}=8MHz$ conforms to IEC 1000-4-4 | -4 | 4 | |

Figure 74. EMC Recommended star network power supply connection ²⁾



Notes:

1. Data based on characterization results, not tested in production.
2. The suggested 10nF and 0.1µF decoupling capacitors on the power supply lines are proposed as a good price vs. EMC performance tradeoff. They have to be put as close as possible to the device power supply pins. Other EMC recommendations are given in other sections (I/Os, RESET, OSCx pin characteristics).

EMC CHARACTERISTICS (Cont'd)

15.7.2 Absolute Electrical Sensitivity

Based on three different tests (ESD, LU and DLU) using specific measurement methods, the product is stressed in order to determine its performance in terms of electrical sensitivity. For more details, refer to the AN1181 ST7 application note.

15.7.2.1 Electro-Static Discharge (ESD)

Electro-Static Discharges (3 positive then 3 negative pulses separated by 1 second) are applied to the pins of each sample according to each pin combination. The sample size depends of the number of supply pins of the device (3 parts*(n+1) supply pin). Two models are usually simulated: Human Body Model and Machine Model. This test conforms to the JESD22-A114A/A115A standard. See Figure 75 and the following test sequences.

Human Body Model Test Sequence

- C_L is loaded through S1 by the HV pulse generator.
- S1 switches position from generator to R.
- A discharge from C_L through R (body resistance) to the ST7 occurs.
- S2 must be closed 10 to 100ms after the pulse delivery period to ensure the ST7 is not left in charge state. S2 must be opened at least 10ms prior to the delivery of the next pulse.

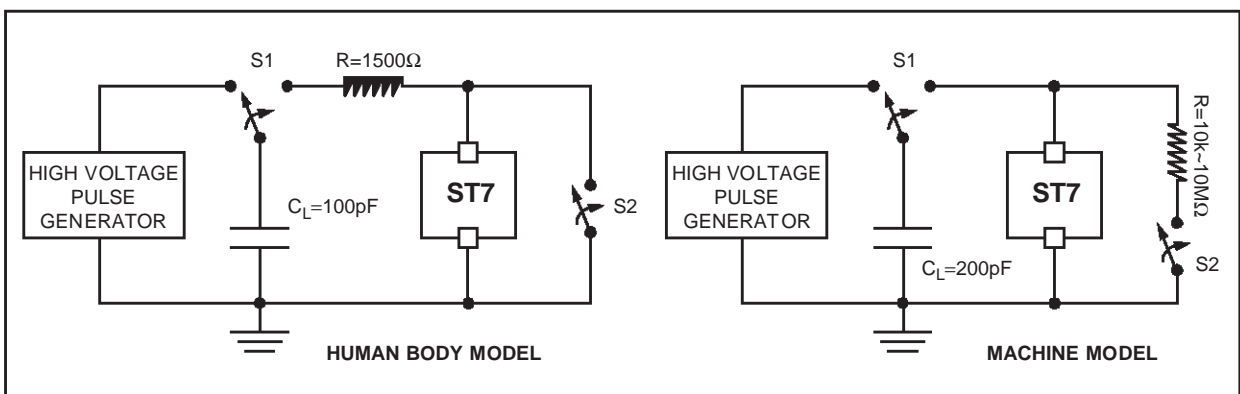
Machine Model Test Sequence

- C_L is loaded through S1 by the HV pulse generator.
- S1 switches position from generator to ST7.
- A discharge from C_L to the ST7 occurs.
- S2 must be closed 10 to 100ms after the pulse delivery period to ensure the ST7 is not left in charge state. S2 must be opened at least 10ms prior to the delivery of the next pulse.
- R (machine resistance), in series with S2, ensures a slow discharge of the ST7.

Absolute Maximum Ratings

| Symbol | Ratings | Conditions | Maximum value ¹⁾ | Unit |
|-----------------------|---|-----------------------|-----------------------------|------|
| V _{ESD(HBM)} | Electro-static discharge voltage (Human Body Model) | T _A =+25°C | 3000 | V |
| V _{ESD(MM)} | Electro-static discharge voltage (Machine Model) | T _A =+25°C | TBD | |

Figure 75. Typical Equivalent ESD Circuits



Notes:

1. Data based on characterization results, not tested in production.

EMC CHARACTERISTICS (Cont'd)

15.7.2.2 Static and Dynamic Latch-Up

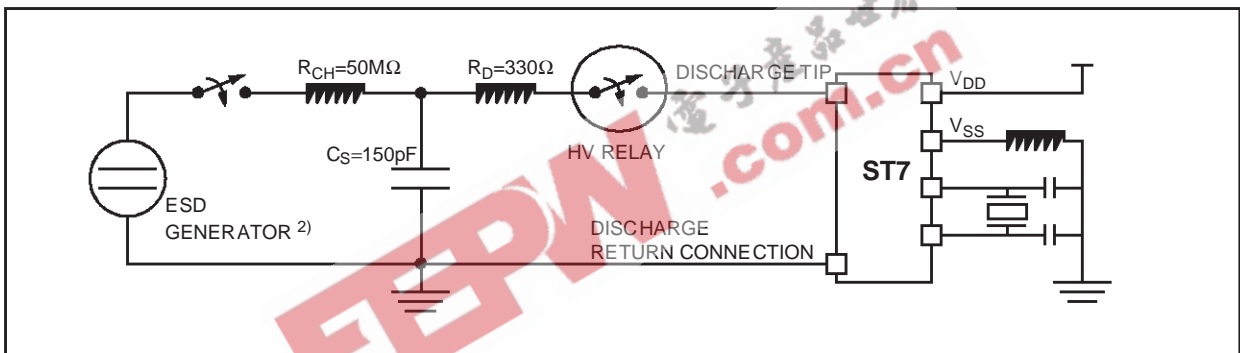
■ **LU:** 3 complementary static tests are required on 10 parts to assess the latch-up performance. A supply overvoltage (applied to each power supply pin), a current injection (applied to each input, output and configurable I/O pin) and a power supply switch sequence are performed on each sample. This test conforms to the EIA/JESD 78 IC latch-up standard. For more details, refer to the AN1181 ST7 application note.

■ **DLU:** Electro-Static Discharges (one positive then one negative test) are applied to each pin of 3 samples when the micro is running to assess the latch-up performance in dynamic mode. Power supplies are set to the typical values, the oscillator is connected as near as possible to the pins of the micro and the component is put in reset mode. This test conforms to the IEC1000-4-2 and SAEJ1752/3 standards and is described in Figure 76. For more details, refer to the AN1181 ST7 application note.

Electrical Sensitivities

| Symbol | Parameter | Conditions | Class ¹⁾ |
|--------|------------------------|--|---------------------|
| LU | Static latch-up class | T _A =+25°C | TBD |
| | | T _A =+85°C | TBD |
| DLU | Dynamic latch-up class | V _{DD} =5.5V, f _{OSC} =4MHz, T _A =+25°C | A |

Figure 76. Simplified Diagram of the ESD Generator for DLU



Notes:

1. Class description: A Class is an STMicroelectronics internal specification. All its limits are higher than the JEDEC specifications, that means when a device belongs to Class A it exceeds the JEDEC standard. B Class strictly covers all the JEDEC criteria (international standard).
2. Schaffner NSG435 with a pointed test finger.

EMC CHARACTERISTICS (Cont'd)

15.7.3 ESD Pin Protection Strategy

To protect an integrated circuit against Electro-Static Discharge the stress must be controlled to prevent degradation or destruction of the circuit elements. The stress generally affects the circuit elements which are connected to the pads but can also affect the internal devices when the supply pads receive the stress. The elements to be protected must not receive excessive current, voltage or heating within their structure.

An ESD network combines the different input and output ESD protections. This network works, by allowing safe discharge paths for the pins subjected to ESD stress. Two critical ESD stress cases are presented in Figure 77 and Figure 78 for standard pins and in Figure 79 and Figure 80 for true open drain pins.

Standard Pin Protection

To protect the output structure the following elements are added:

- A diode to V_{DD} (3a) and a diode from V_{SS} (3b)
- A protection device between V_{DD} and V_{SS} (4)

To protect the input structure the following elements are added:

- A resistor in series with the pad (1)
- A diode to V_{DD} (2a) and a diode from V_{SS} (2b)
- A protection device between V_{DD} and V_{SS} (4)

Figure 77. Positive Stress on a Standard Pad vs. V_{SS}

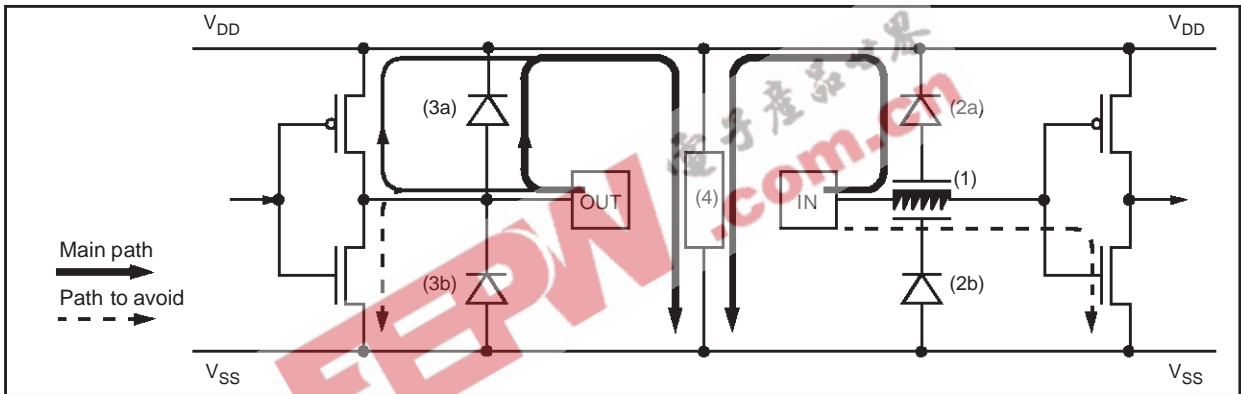
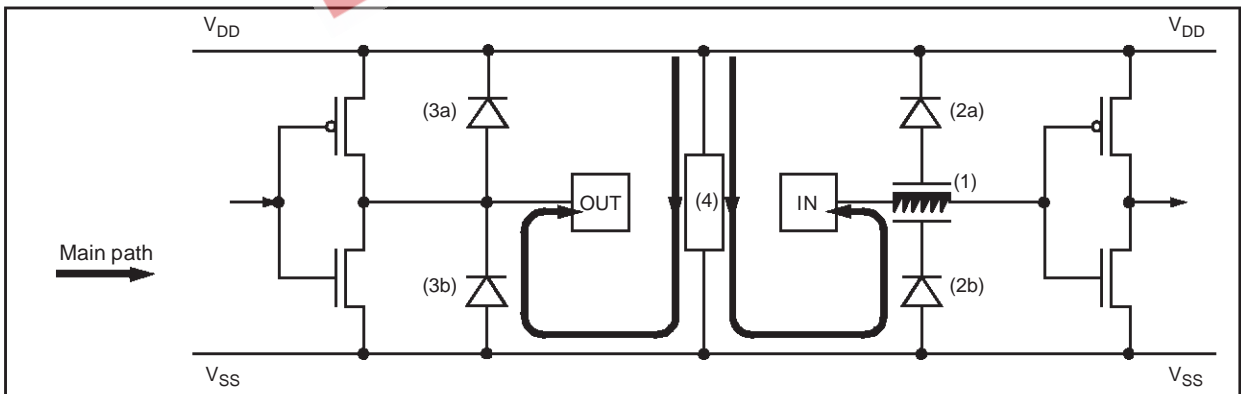


Figure 78. Negative Stress on a Standard Pad vs. V_{DD}



EMC CHARACTERISTICS (Cont'd)

True Open Drain Pin Protection

The centralized protection (4) is not involved in the discharge of the ESD stresses applied to true open drain pads due to the fact that a P-Buffer and diode to V_{DD} are not implemented. An additional local protection between the pad and V_{SS} (5a & 5b) is implemented to completely absorb the positive ESD discharge.

Multisupply Configuration

When several types of ground (V_{SS} , V_{SSA} , ...) and power supply (V_{DD} , V_{DDA} , ...) are available for any reason (better noise immunity...), the structure shown in Figure 81 is implemented to protect the device against ESD.

Figure 79. Positive Stress on a True Open Drain Pad vs. V_{SS}

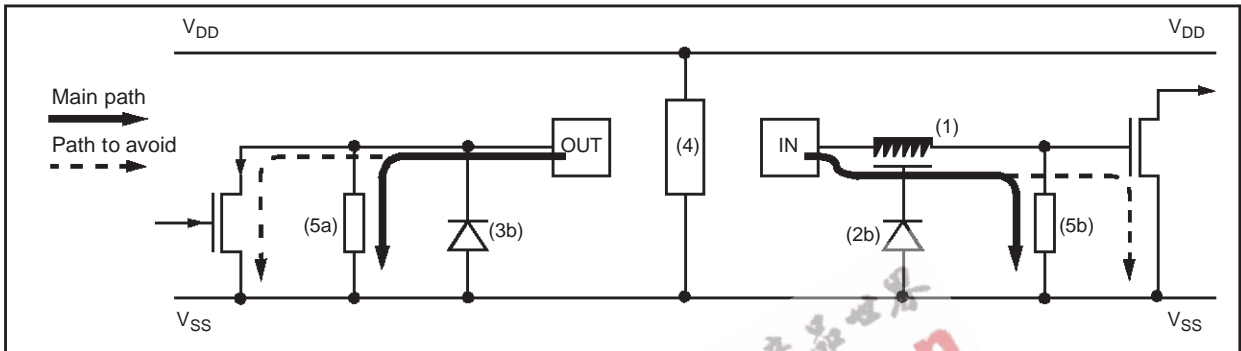


Figure 80. Negative Stress on a True Open Drain Pad vs. V_{DD}

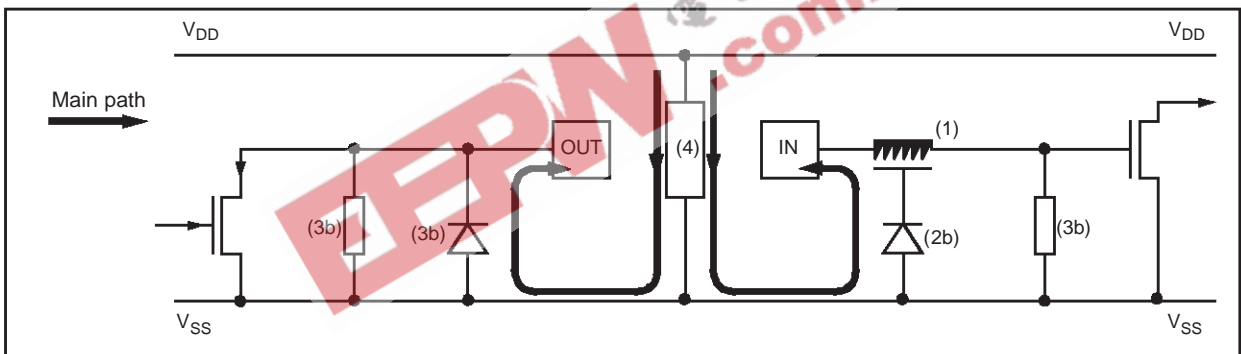
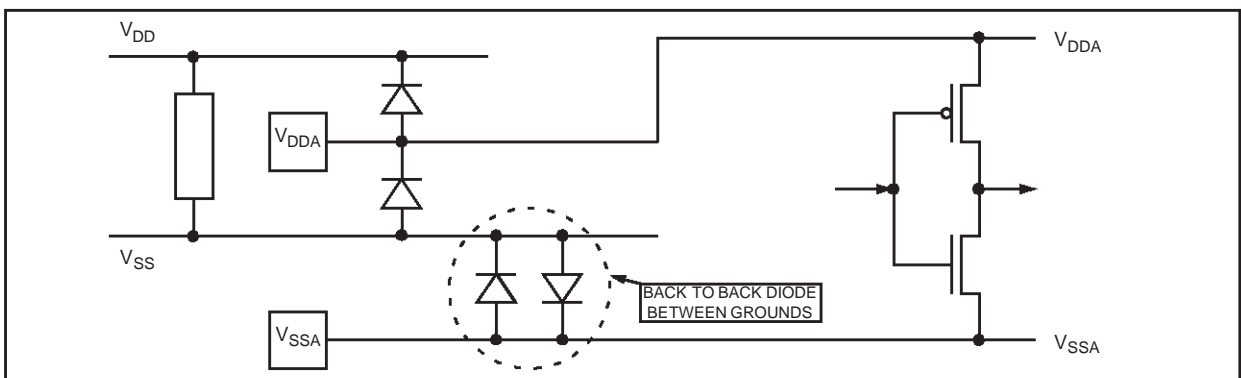


Figure 81. Multisupply Configuration



15.8 I/O PORT PIN CHARACTERISTICS

15.8.1 General Characteristics

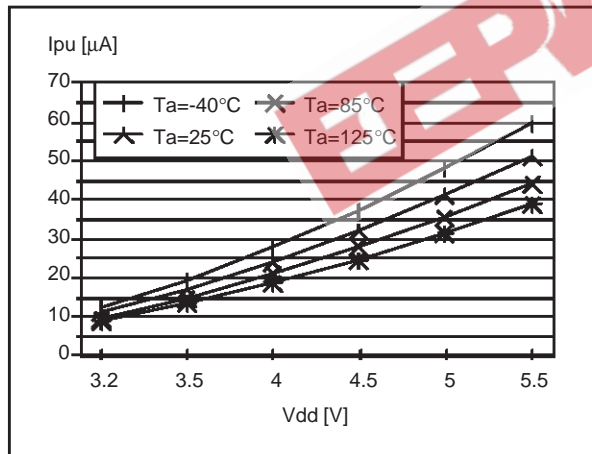
Subject to general operating conditions for V_{DD} , f_{OSC} , and T_A unless otherwise specified.

| Symbol | Parameter | Conditions | Min | Typ ¹⁾ | Max | Unit | |
|-----------------|--|-------------------------------------|----------------------------------|-------------------|---------------------|------------|------------|
| V_{IL} | Input low level voltage ²⁾ | | | | $0.3 \times V_{DD}$ | V | |
| V_{IH} | Input high level voltage ²⁾ | | $0.7 \times V_{DD}$ | | | | |
| V_{hys} | Schmitt trigger voltage hysteresis ³⁾ | | | 400 | | mV | |
| I_L | Input leakage current | $V_{SS} \leq V_{IN} \leq V_{DD}$ | | | ± 1 | μA | |
| I_S | Static current consumption ⁴⁾ | Floating input mode | | | 200 | | |
| R_{PU} | Weak pull-up equivalent resistor ⁵⁾ | $V_{IN} = V_{SS}$ | $V_{DD} = 5V$ $V_{DD} = 3.3V$ | 62 170 | 120 200 | 250 300 | k Ω |
| C_{IO} | I/O pin capacitance | | | 5 | | pF | |
| $t_{f(I/O)out}$ | Output high to low level fall time ⁶⁾ | $C_L = 50pF$ Between 10% and 90% | | 25 | | ns | |
| $t_{r(I/O)out}$ | Output low to high level rise time ⁶⁾ | | | 25 | | | |
| $t_{w(IT)in}$ | External interrupt pulse time ⁷⁾ | | 1 | | | t_{CPU} | |

Figure 82. Two typical Applications with unused I/O Pin



Figure 83. Typical I_{PU} vs. V_{DD} with $V_{IN} = V_{SS}$



Notes:

1. Unless otherwise specified, typical data are based on $T_A = 25^\circ C$ and $V_{DD} = 5V$.
2. Data based on characterization results, not tested in production.
3. Hysteresis voltage between Schmitt trigger switching levels. Based on characterization results, not tested.
4. Configuration not recommended, all unused pins must be kept at a fixed voltage: using the output mode of the I/O for example or an external pull-up or pull-down resistor (see Figure 82). Data based on design simulation and/or technology characteristics, not tested in production.
5. The R_{PU} pull-up equivalent resistor is based on a resistive transistor (corresponding I_{PU} current characteristics described in Figure 83). This data is based on characterization results, tested in production at V_{DD} max.
6. Data based on characterization results, not tested in production.
7. To generate an external interrupt, a minimum pulse width has to be applied on an I/O port pin configured as an external interrupt source.

I/O PORT PIN CHARACTERISTICS (Cont'd)

15.8.2 Output Driving Current

Subject to general operating conditions for V_{DD} , f_{OSC} , and T_A unless otherwise specified.

| Symbol | Parameter | Conditions | Min | Max | Unit |
|---------------|--|--|--------------|------------|------|
| $V_{OL}^{1)}$ | Output low level voltage for a standard I/O pin when 8 pins are sunk at same time (see Figure 84 and Figure 87) | $I_{IO}=+5mA$ | | 1.3 | V |
| | | $I_{IO}=+2mA$ $T_A \leq 85^\circ C$ $T_A \geq 85^\circ C$ | | 0.5 0.6 | |
| | Output low level voltage for a high sink I/O pin when 4 pins are sunk at same time (see Figure 85 and Figure 88) | $I_{IO}=+20mA, T_A \leq 85^\circ C$ $T_A \geq 85^\circ C$ | | 1.3 1.5 | |
| | | $I_{IO}=+8mA$ $T_A \leq 85^\circ C$ $T_A \geq 85^\circ C$ | | 0.6 0.7 | |
| $V_{OH}^{2)}$ | Output high level voltage for an I/O pin when 4 pins are sourced at same time (see Figure 86 and Figure 89) | $I_{IO}=-5mA$ | $V_{DD}-1.6$ | | |
| | | $I_{IO}=-2mA$ | $V_{DD}-0.8$ | | |

Figure 84. Typical V_{OL} at $V_{DD}=5V$ (standard)

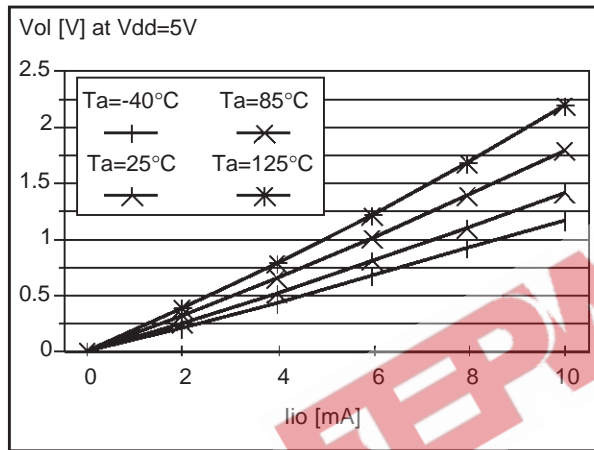


Figure 86. Typical $V_{DD}-V_{OH}$ at $V_{DD}=5V$

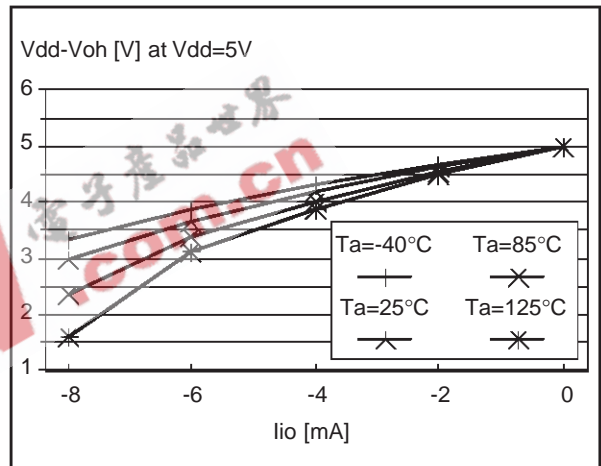
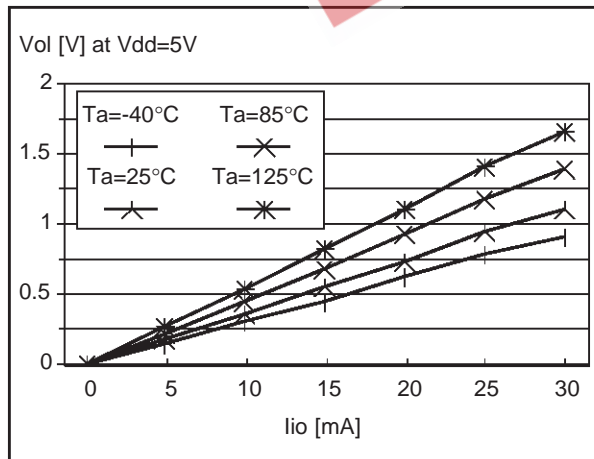


Figure 85. Typical V_{OL} at $V_{DD}=5V$ (high-sink)



Notes:

1. The I_{IO} current sunk must always respect the absolute maximum rating specified in Section 15.2.2 and the sum of I_{IO} (I/O ports and control pins) must not exceed I_{VSS} .
2. The I_{IO} current sourced must always respect the absolute maximum rating specified in Section 15.2.2 and the sum of I_{IO} (I/O ports and control pins) must not exceed I_{VDD} . True open drain I/O pins does not have V_{OH} .

I/O PORT PIN CHARACTERISTICS (Cont'd)

Figure 87. Typical V_{OL} vs. V_{DD} (standard I/Os)

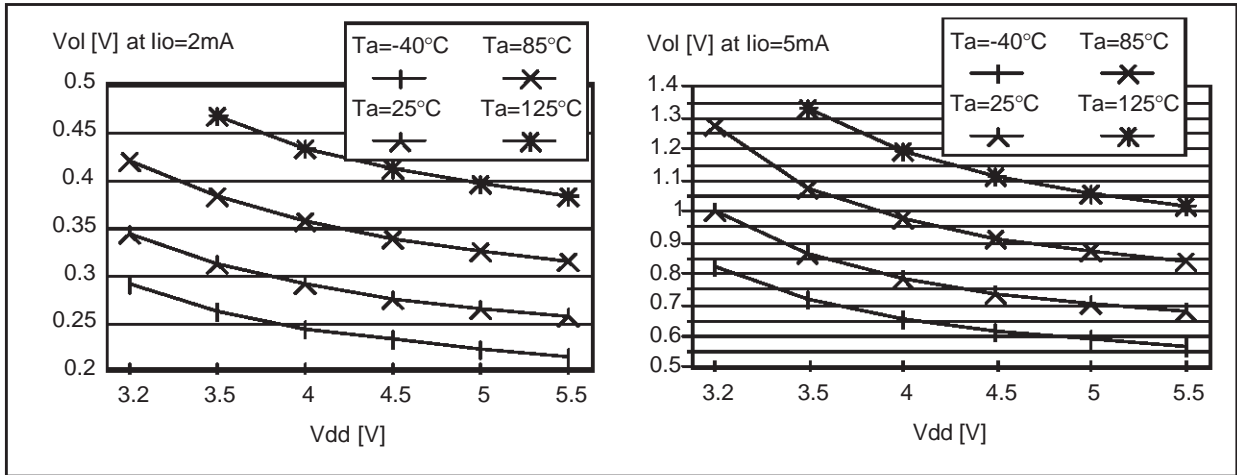


Figure 88. Typical V_{OL} vs. V_{DD} (high-sink I/Os)

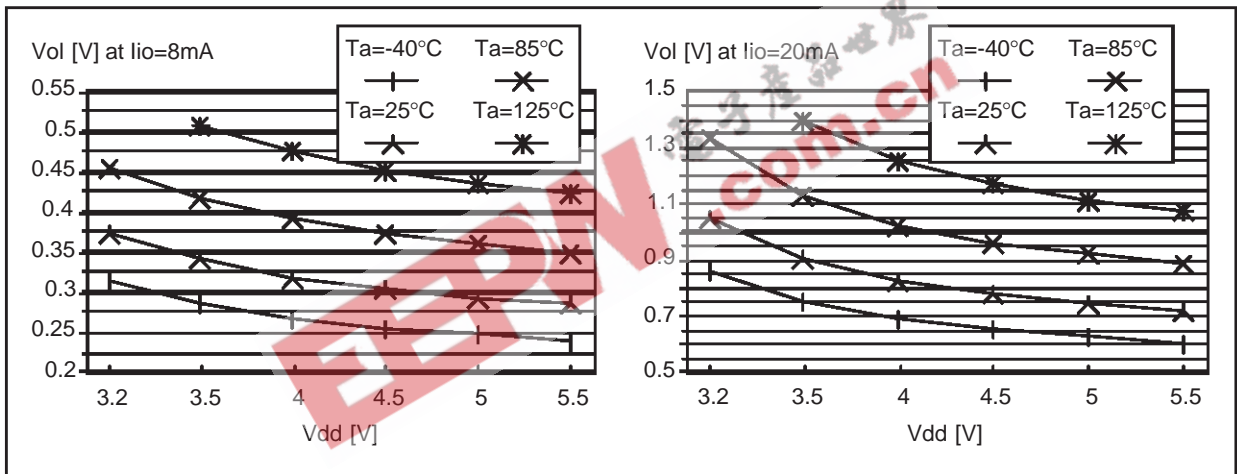
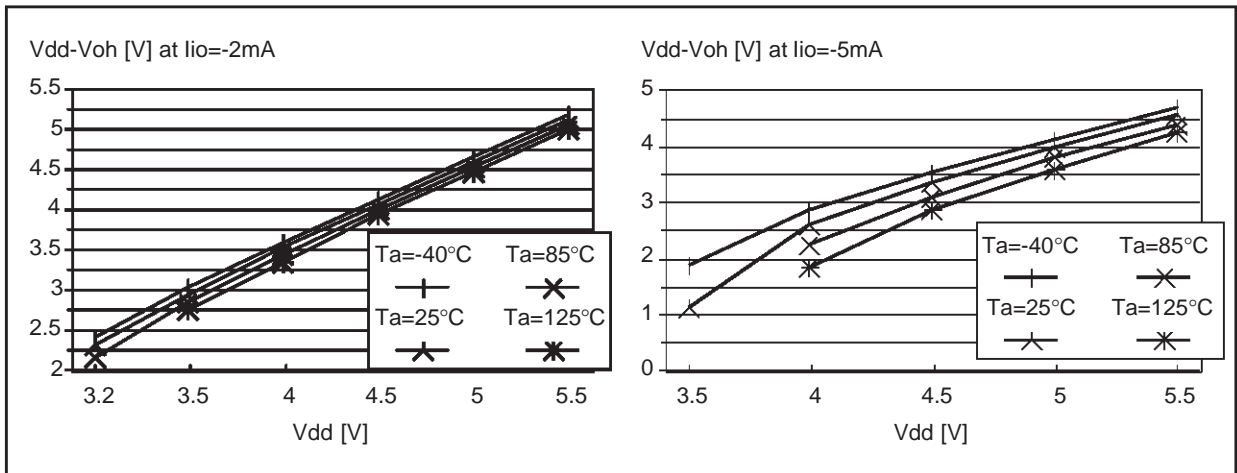


Figure 89. Typical $V_{DD}-V_{OH}$ vs. V_{DD}



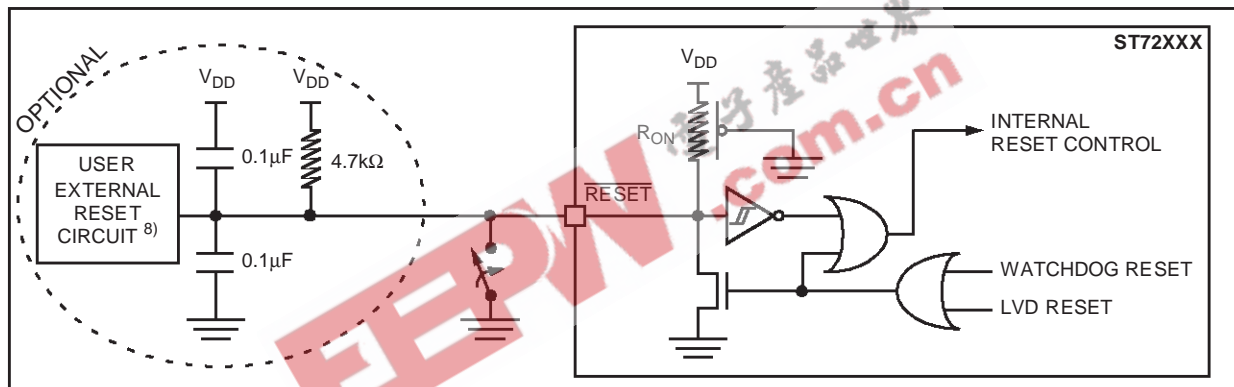
15.9 CONTROL PIN CHARACTERISTICS

15.9.1 Asynchronous $\overline{\text{RESET}}$ Pin

Subject to general operating conditions for V_{DD} , f_{OSC} , and T_A unless otherwise specified.

| Symbol | Parameter | Conditions | Min | Typ ¹⁾ | Max | Unit |
|------------------|--|--|---------------------|-------------------|---------------------|--------------------------|
| V_{IL} | Input low level voltage ²⁾ | | | | $0.3 \times V_{DD}$ | V |
| V_{IH} | Input high level voltage ²⁾ | | $0.7 \times V_{DD}$ | | | V |
| V_{hys} | Schmitt trigger voltage hysteresis ³⁾ | | | 400 | | mV |
| V_{OL} | Output low level voltage ⁴⁾ (see Figure 92, Figure 93) | $V_{DD}=5V$ $I_{IO}=+5mA$ | | 0.68 | 0.95 | V |
| | | $V_{DD}=5V$ $I_{IO}=+2mA$ | | 0.28 | 0.45 | |
| R_{ON} | Weak pull-up equivalent resistor ⁵⁾ | $V_{IN}=V_{SS}$ $V_{DD}=5V$ | 20 | 40 | 60 | k Ω |
| | | $V_{IN}=V_{SS}$ $V_{DD}=3.4V$ | 80 | 100 | 120 | |
| $t_{w(RSTL)out}$ | Generated reset pulse duration | External pin or internal reset sources | | 6 30 | | $1/f_{SFOSC}$ μs |
| $t_{h(RSTL)in}$ | External reset pulse hold time ⁶⁾ | | 20 | | | μs |
| $t_{g(RSTL)in}$ | Filtered glitch duration ⁷⁾ | | | | 100 | ns |

Figure 90. Typical Application with $\overline{\text{RESET}}$ pin⁸⁾



Notes:

1. Unless otherwise specified, typical data are based on $T_A=25^\circ C$ and $V_{DD}=5V$.
2. Data based on characterization results, not tested in production.
3. Hysteresis voltage between Schmitt trigger switching levels. Based on characterization results, not tested.
4. The I_{IO} current sunk must always respect the absolute maximum rating specified in Section 15.2.2 and the sum of I_{IO} (I/O ports and control pins) must not exceed I_{VSS} .
5. The R_{ON} pull-up equivalent resistor is based on a resistive transistor (corresponding I_{ON} current characteristics described in Figure 91). This data is based on characterization results, not tested in production.
6. To guarantee the reset of the device, a minimum pulse has to be applied to $\overline{\text{RESET}}$ pin. All short pulses applied on $\overline{\text{RESET}}$ pin with a duration below $t_{h(RSTL)in}$ can be ignored.
7. The reset network (the resistor and two capacitors) protects the device against parasitic resets, especially in a noisy environments.
8. The output of the external reset circuit must have an open-drain output to drive the ST7 reset pad. Otherwise the device can be damaged when the ST7 generates an internal reset (LVD or watchdog).

CONTROL PIN CHARACTERISTICS (Cont'd)

Figure 91. Typical I_{ON} vs. V_{DD} with $V_{IN}=V_{SS}$

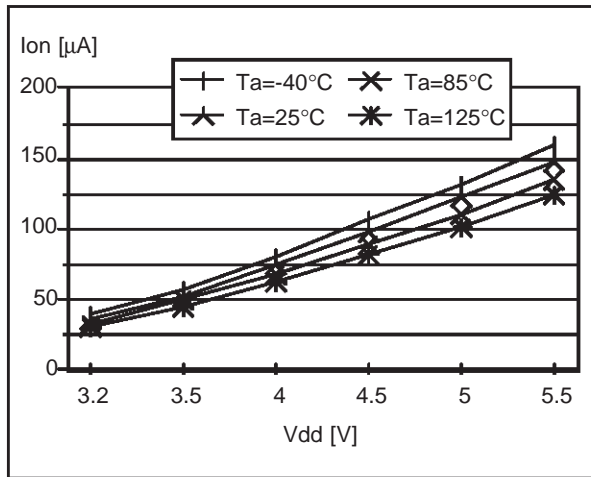


Figure 92. Typical V_{OL} at $V_{DD}=5V$ (\overline{RESET})

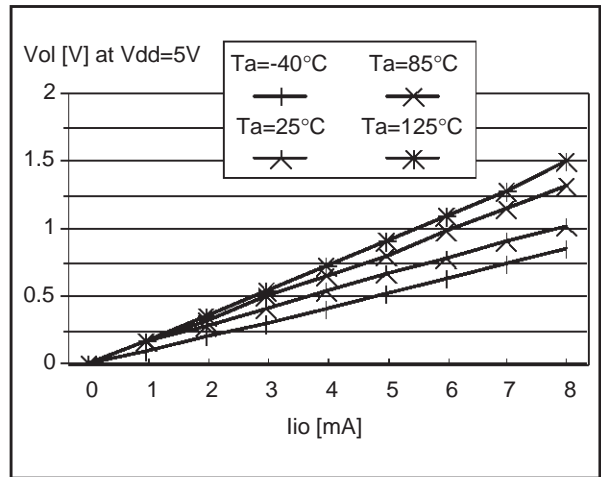
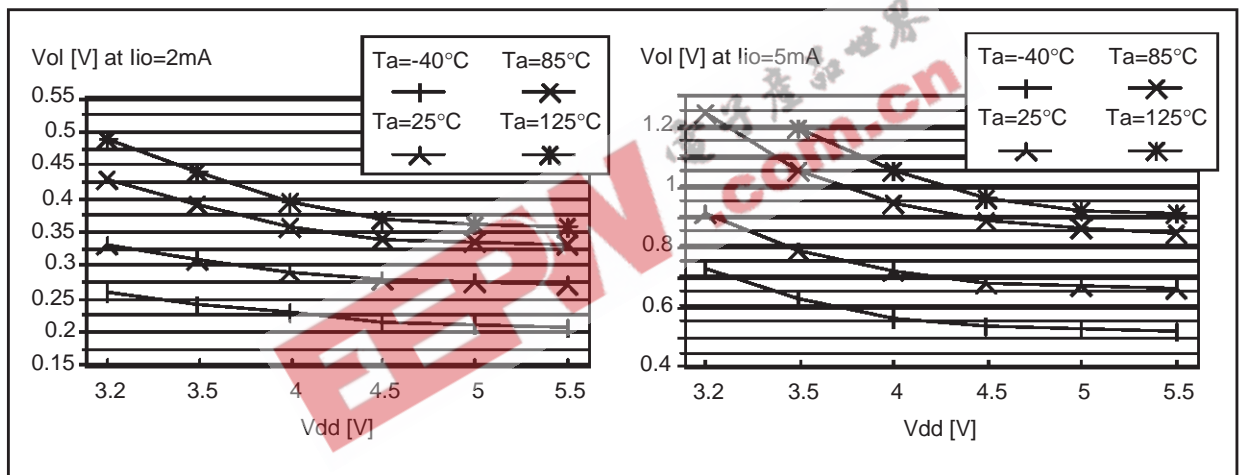


Figure 93. Typical V_{OL} vs. V_{DD} (\overline{RESET})



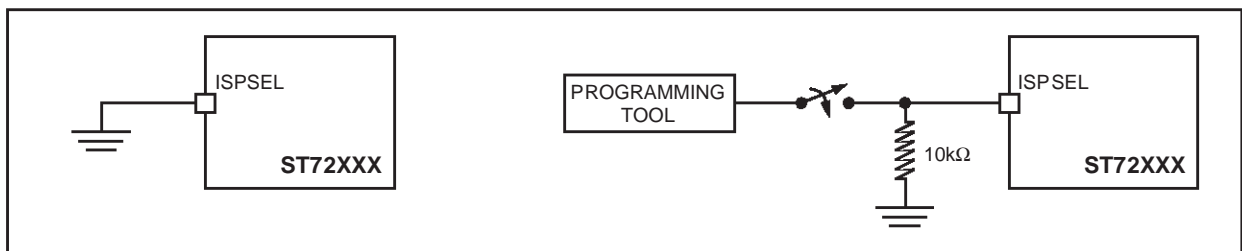
CONTROL PIN CHARACTERISTICS (Cont'd)

15.9.2 ISPSEL Pin

Subject to general operating conditions for V_{DD} , f_{OSC} , and T_A unless otherwise specified.

| Symbol | Parameter | Conditions | Min | Max | Unit |
|----------|--|-----------------|--------------|---------|---------|
| V_{IL} | Input low level voltage ¹⁾ | | V_{SS} | 0.2 | V |
| V_{IH} | Input high level voltage ¹⁾ | | $V_{DD}-0.1$ | 12.6 | |
| I_L | Input leakage current | $V_{IN}=V_{SS}$ | | ± 1 | μA |

Figure 94. Two typical Applications with ISPSEL Pin ²⁾



Notes:

1. Data based on design simulation and/or technology characteristics, not tested in production.
2. When the ISP Remote mode is not required by the application ISPSEL pin must be tied to V_{SS} .

EEPW.com.cn 电子产业世界

15.10 TIMER PERIPHERAL CHARACTERISTICS

Subject to general operating conditions for V_{DD} , f_{OSC} , and T_A unless otherwise specified.

Refer to I/O port characteristics for more details on the input/output alternate function characteristics (output compare, input capture, external clock, PWM output...).

15.10.1 Watchdog Timer

| Symbol | Parameter | Conditions | Min | Typ | Max | Unit |
|--------------|----------------------------|----------------|--------|-----|---------|-----------|
| $t_{w(WDG)}$ | Watchdog time-out duration | | 12,288 | | 786,432 | t_{CPU} |
| | | $f_{CPU}=8MHz$ | 1.54 | | 98.3 | ms |

15.10.2 16-Bit Timer

| Symbol | Parameter | Conditions | Min | Typ | Max | Unit |
|-----------------|--------------------------------|----------------|-----|-----|-------------|-----------|
| $t_{w(ICAP)in}$ | Input capture pulse time | | 1 | | | t_{CPU} |
| $t_{res(PWM)}$ | PWM resolution time | | 2 | | | t_{CPU} |
| | | $f_{CPU}=8MHz$ | 250 | | | ns |
| f_{EXT} | Timer external clock frequency | | 0 | | $f_{CPU}/4$ | MHz |
| f_{PWM} | PWM repetition rate | | 0 | | $f_{CPU}/4$ | MHz |
| Res_{PWM} | PWM resolution | | | | 16 | bit |

15.11 COMMUNICATION INTERFACE CHARACTERISTICS

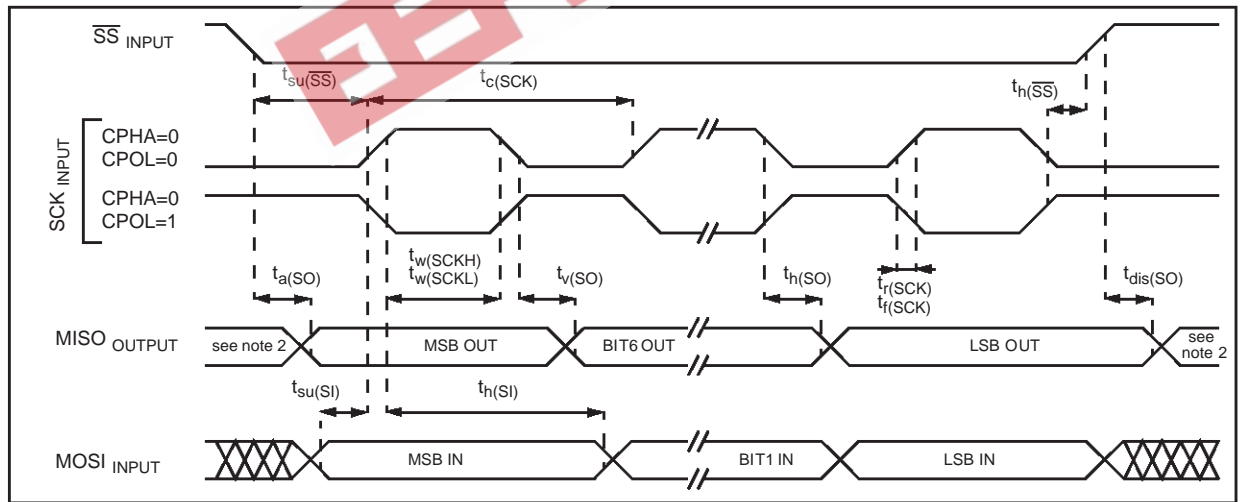
15.11.1 SPI - Serial Peripheral Interface

Subject to general operating conditions for V_{DD} , f_{OSC} , and T_A unless otherwise specified.

Refer to I/O port characteristics for more details on the input/output alternate function characteristics (\overline{SS} , SCK, MOSI, MISO).

| Symbol | Parameter | Conditions | Min | Max | Unit |
|------------------------------|------------------------------|------------------------------|------------------------------|------------------|-----------|
| f_{SCK} $1/t_c(SCK)$ | SPI clock frequency | Master $f_{CPU}=8MHz$ | $f_{CPU}/128$ 0.0625 | $f_{CPU}/4$ 2 | MHz |
| | | Slave $f_{CPU}=8MHz$ | 0 | $f_{CPU}/2$ 4 | |
| $t_r(SCK)$ $t_f(SCK)$ | SPI clock rise and fall time | | see I/O port pin description | | |
| $t_{su}(\overline{SS})$ | \overline{SS} setup time | Slave | 120 | | ns |
| $t_h(\overline{SS})$ | \overline{SS} hold time | Slave | 120 | | |
| $t_w(SCKH)$ $t_w(SCKL)$ | SCK high and low time | Master | 100 | | |
| | | Slave | 90 | | |
| $t_{su}(MI)$ $t_{su}(SI)$ | Data input setup time | Master | 100 | | |
| | | Slave | 100 | | |
| $t_h(MI)$ $t_h(SI)$ | Data input hold time | Master | 100 | | |
| | | Slave | 100 | | |
| $t_a(SO)$ | Data output access time | Slave | 0 | 120 | |
| $t_{dis}(SO)$ | Data output disable time | Slave | | 240 | |
| $t_v(SO)$ | Data output valid time | Slave (after enable edge) | | 120 | |
| $t_h(SO)$ | Data output hold time | | 0 | | |
| $t_v(MO)$ | Data output valid time | Master (before capture edge) | 0.25 | | t_{CPU} |
| $t_h(MO)$ | Data output hold time | | 0.25 | | |

Figure 95. SPI Slave Timing Diagram with CPHA=0³⁾



Notes:

1. Data based on design simulation and/or characterisation results, not tested in production.
2. When no communication is on-going the data output line of the SPI (MOSI in master mode, MISO in slave mode) has its alternate function capability released. In this case, the pin status depends on the I/O port configuration.
3. Measurement points are done at CMOS levels: $0.3xV_{DD}$ and $0.7xV_{DD}$.

COMMUNICATION INTERFACE CHARACTERISTICS (Cont'd)

Figure 96. SPI Slave Timing Diagram with CPHA=1¹⁾

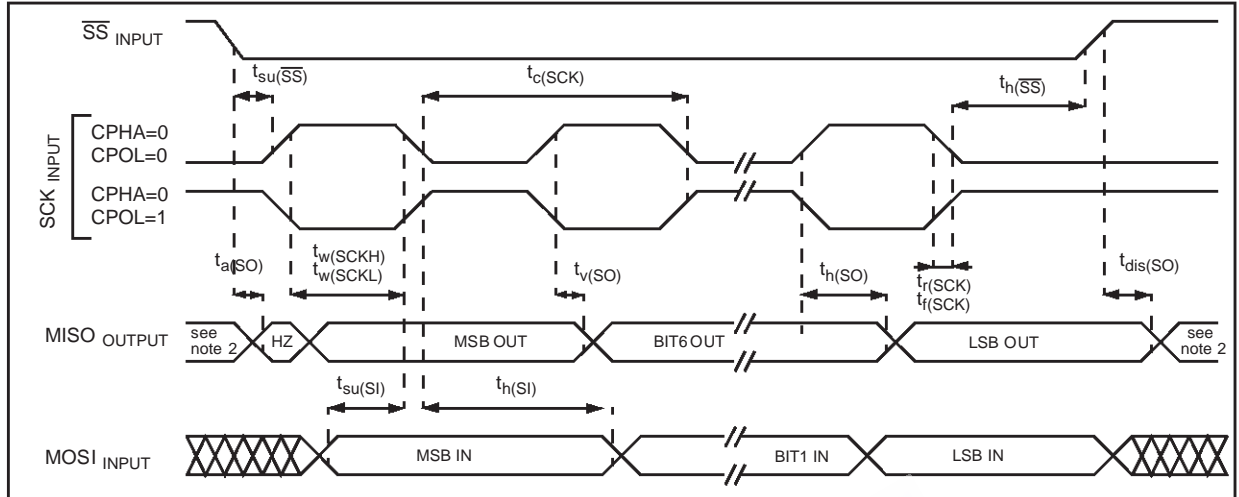
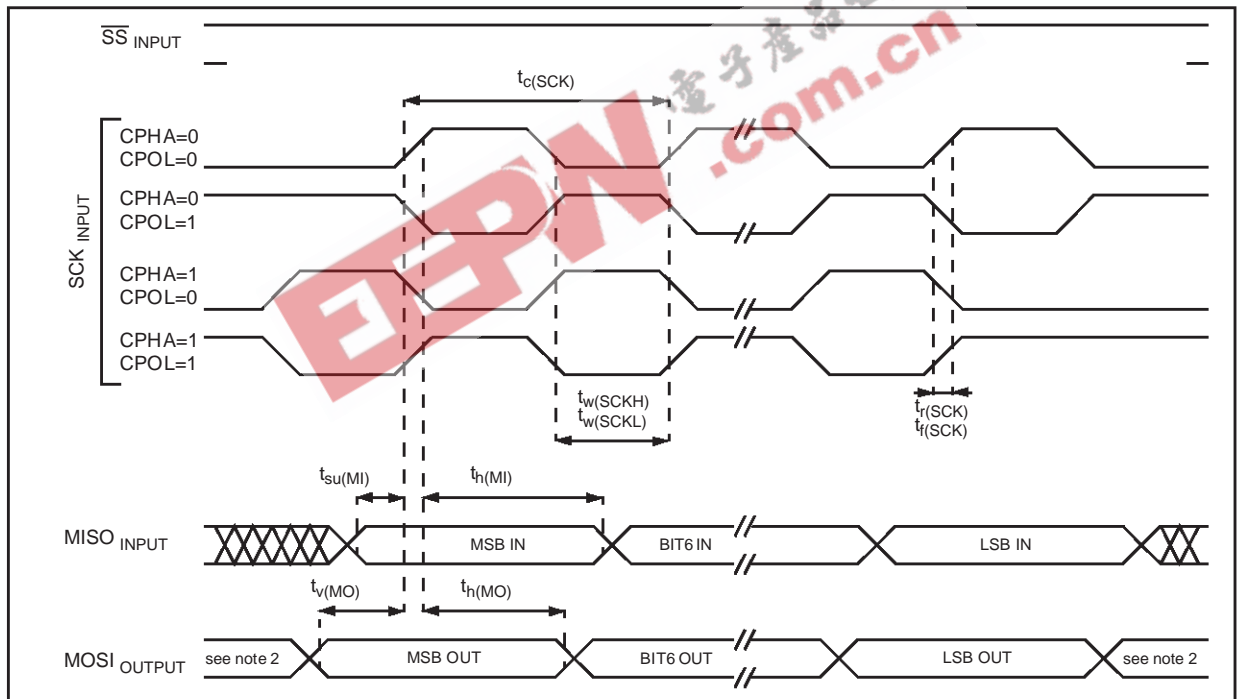


Figure 97. SPI Master Timing Diagram ¹⁾



Notes:

1. Measurement points are done at CMOS levels: $0.3 \times V_{DD}$ and $0.7 \times V_{DD}$.
2. When no communication is on-going the data output line of the SPI (MOSI in master mode, MISO in slave mode) has its alternate function capability released. In this case, the pin status depends of the I/O port configuration.

COMMUNICATIONS INTERFACE CHARACTERISTICS (Cont'd)

15.11.2 SCI - Serial Communications Interface

Subject to general operating condition for V_{DD} , f_{O-SC} , and T_A unless otherwise specified.

Refer to I/O port characteristics for more details on the input/output alternate function characteristics (RDI and TDO).

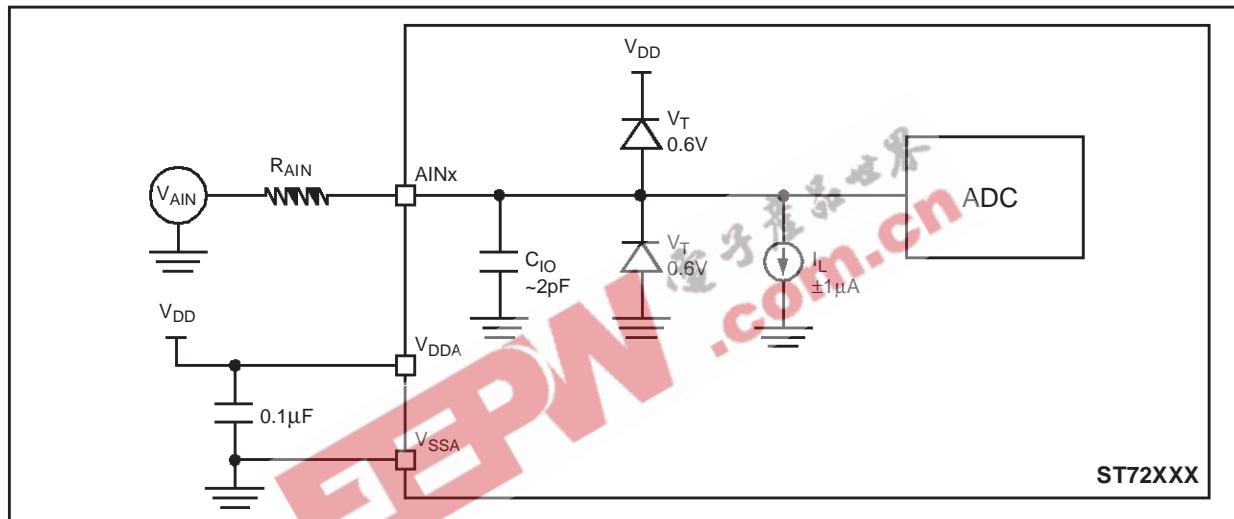
| Symbol | Parameter | Conditions | | | Standard | Baud Rate | Unit |
|----------------------|-------------------------|------------|-----------------------|----------------------|----------|-----------|------|
| | | f_{CPU} | Accuracy vs. Standard | Prescaler | | | |
| f_{Tx} f_{Rx} | Communication frequency | 8MHz | ~0.16% | Conventional Mode | | | |
| | | | | TR (or RR)=64, PR=13 | 300 | ~300.48 | Hz |
| | | | | TR (or RR)=16, PR=13 | 1200 | ~1201.92 | |
| TR (or RR)= 8, PR=13 | 2400 | ~2403.84 | | | | | |
| TR (or RR)= 4, PR=13 | 4800 | ~4807.69 | | | | | |
| TR (or RR)= 2, PR=13 | 9600 | ~9615.38 | | | | | |
| TR (or RR)= 8, PR= 3 | 10400 | ~10416.67 | | | | | |
| | | | | TR (or RR)= 1, PR=13 | 19200 | ~19230.77 | |
| | | | | Extended Mode | | | |
| | | | | ETPR (or ERPR) = 13 | 38400 | ~38461.54 | |
| | | | ~0.79% | Extended Mode | | | |
| | | | | ETPR (or ERPR) = 35 | 14400 | ~14285.71 | |

15.12 8-BIT ADC CHARACTERISTICS

Subject to general operating conditions for V_{DD} , f_{OSC} , and T_A unless otherwise specified.

| Symbol | Parameter | Conditions | Min | Typ ¹⁾ | Max | Unit |
|------------|---|--|-----------|-------------------|----------------------|-------------|
| f_{ADC} | ADC clock frequency | | | | 4 | MHz |
| V_{AIN} | Conversion range voltage ²⁾ | | V_{SSA} | | V_{DDA} | V |
| R_{AIN} | External input resistor | | | | 10^3 ³⁾ | k Ω |
| C_{ADC} | Internal sample and hold capacitor | | | 6 | | pF |
| t_{STAB} | Stabilization time after ADC enable | | | $0^4)$ | | μ s |
| t_{ADC} | Conversion time (Sample+Hold) | $f_{CPU}=8\text{MHz}, f_{ADC}=4\text{MHz}$ | | 3 | | |
| | - Sample capacitor loading time - Hold conversion time | | | 4 8 | | $1/f_{ADC}$ |

Figure 98. Typical Application with ADC



Notes:

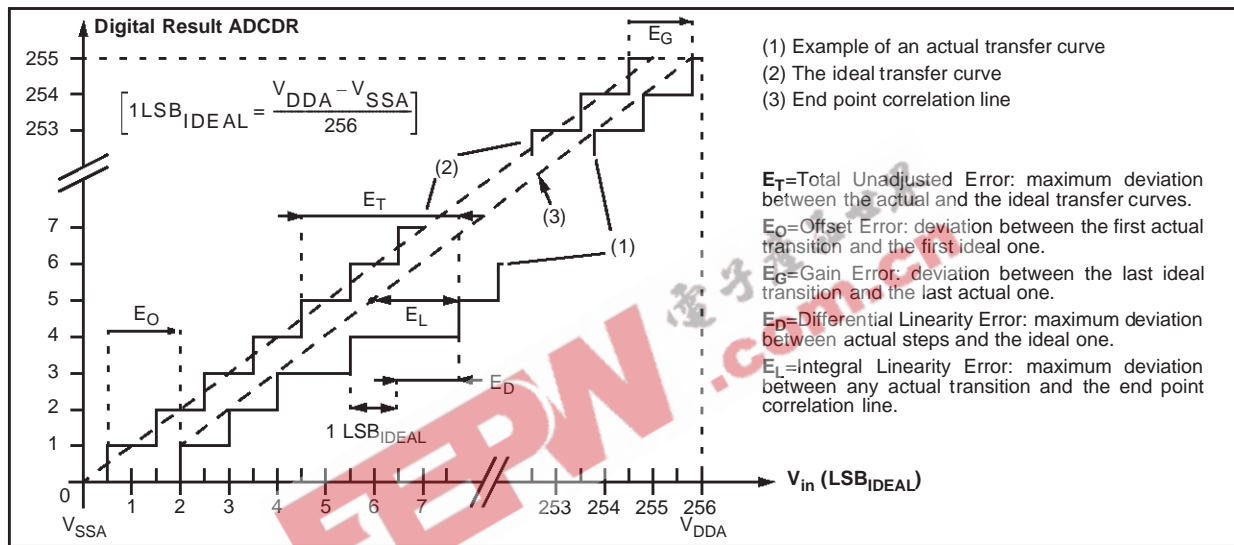
1. Unless otherwise specified, typical data are based on $T_A=25^\circ\text{C}$ and $V_{DD}-V_{SS}=5\text{V}$. They are given only as design guidelines and are not tested.
2. When V_{DDA} and V_{SSA} pins are not available on the pinout, the ADC refer to V_{DD} and V_{SS} .
3. Any added external serial resistor will downgrade the ADC accuracy (especially for resistance greater than 10k Ω). Data based on characterization results, not tested in production.
4. The stabilization time of the AD converter is masked by the first t_{LOAD} . The first conversion after the enable is then always valid.

8-BIT ADC CHARACTERISTICS (Cont'd)

ADC Accuracy

| Symbol | Parameter | V _{DD} =5V, ²⁾ f _{CPU} =1MHz | | V _{DD} =5.0V, ³⁾ f _{CPU} =8MHz | | V _{DD} =3.3V, ³⁾ f _{CPU} =8MHz | |
|----------------|--|--|-----|--|-----|--|-----|
| | | Min | Max | Min | Max | Min | Max |
| E _T | Total unadjusted error ¹⁾ | | 2.0 | | 2.0 | | 1.5 |
| E _O | Offset error ¹⁾ | | 1.5 | | 1.5 | | 1.5 |
| E _G | Gain Error ¹⁾ | | 1.5 | | 1.5 | | 1.5 |
| E _D | Differential linearity error ¹⁾ | | 1.5 | | 1.5 | | 1.5 |
| E _L | Integral linearity error ¹⁾ | | 1.5 | | 1.5 | | 1.5 |

Figure 99. ADC Accuracy Characteristics



Notes:

- ADC Accuracy vs. Negative Injection Current:
 For I_{INJ}=0.8mA, the typical leakage induced inside the die is 1.6µA and the effect on the ADC accuracy is a loss of 1 LSB for each 10KΩ increase of the external analog source impedance. This effect on the ADC accuracy has been observed under worst-case conditions for injection:
 - negative injection
 - injection to an Input with analog capability, adjacent to the enabled Analog Input
 - at 5V V_{DD} supply, and worst case temperature.
- Data based on characterization results with T_A=25°C.
- Data based on characterization results over the whole temperature range.

16 PACKAGE CHARACTERISTICS

16.1 PACKAGE MECHANICAL DATA

Figure 100. 64-Pin Thin Quad Flat Package

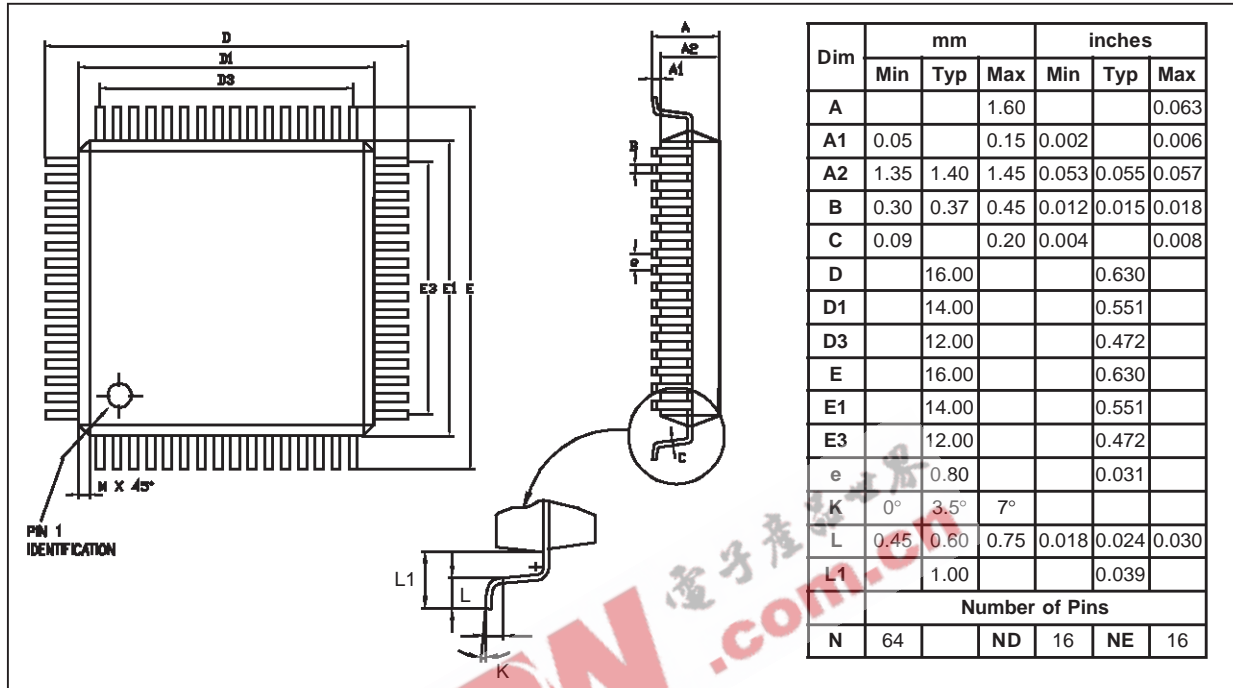
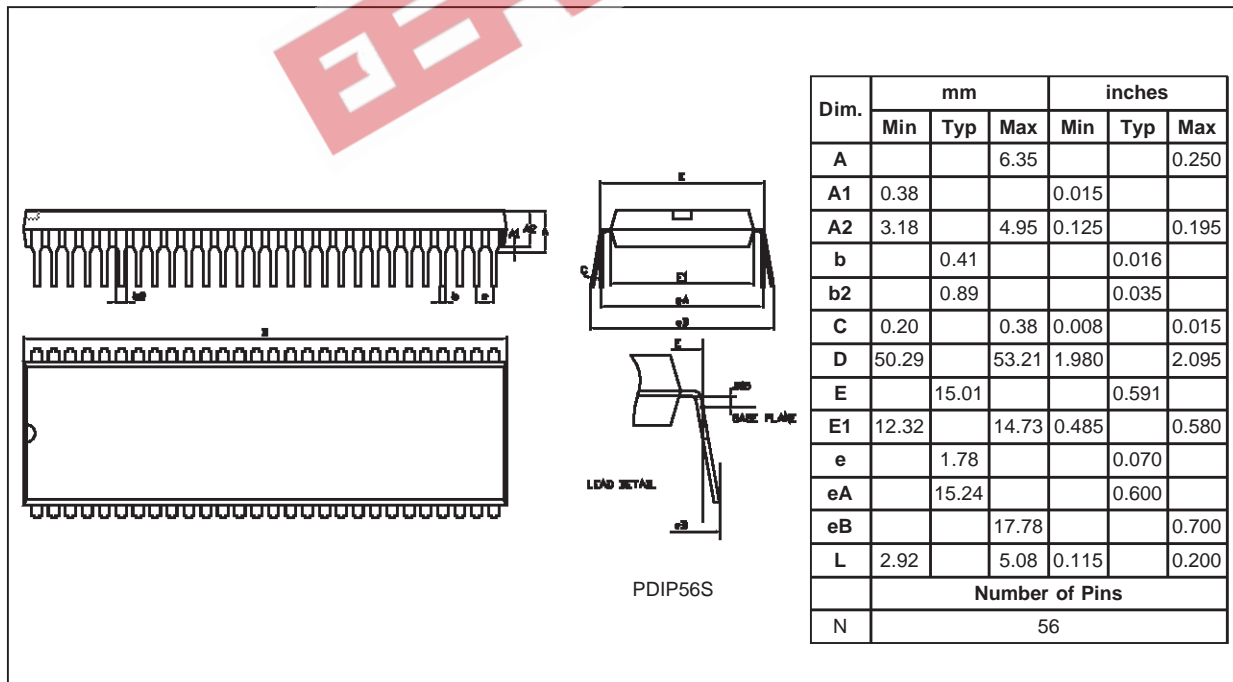


Figure 101. 56-Pin Shrink Plastic Dual In-Line Package, 600-mil Width



PACKAGE MECHANICAL DATA (Cont'd)

Figure 102. 44-Pin Thin Quad Flat Package

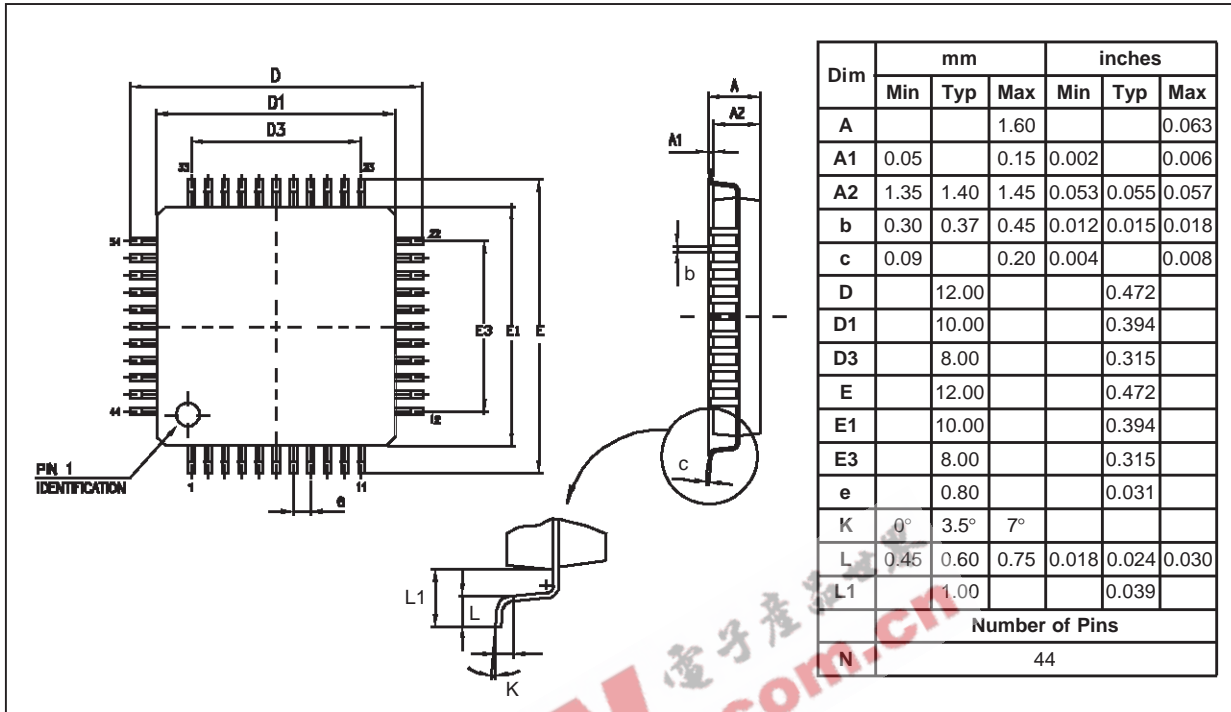
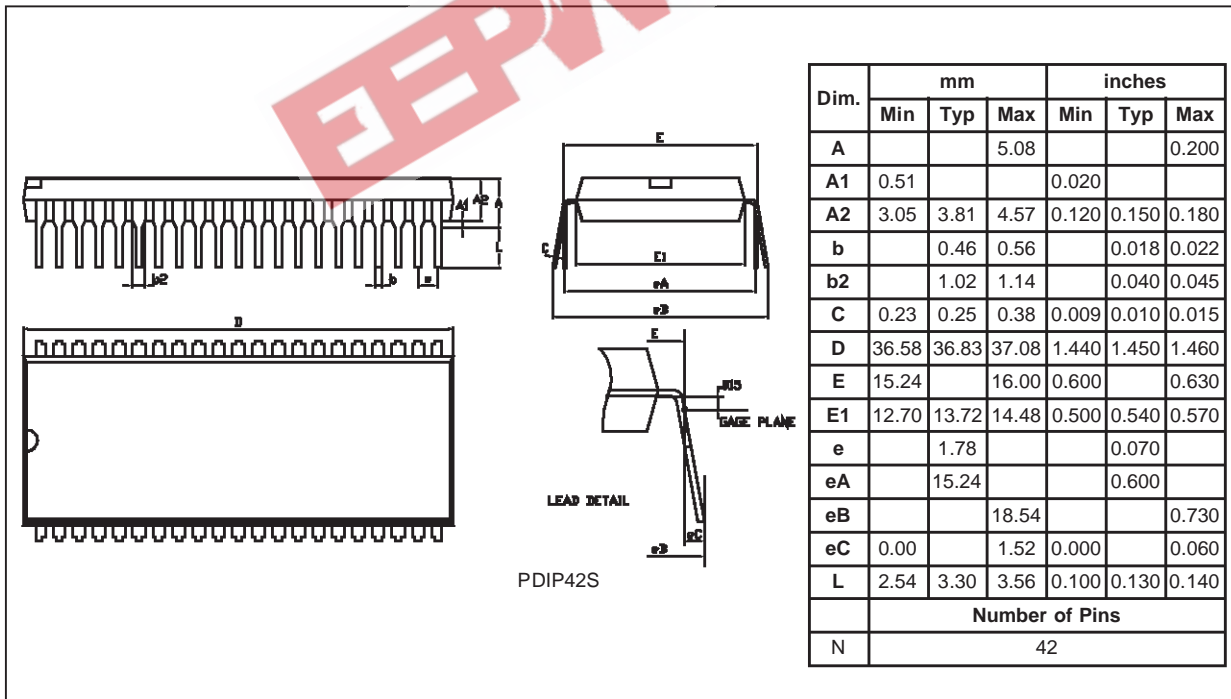


Figure 103. 42-Pin Shrink Plastic Dual In-Line Package, 600-mil Width



16.2 THERMAL CHARACTERISTICS

| Symbol | Ratings | Value | Unit |
|------------|--|-------|------|
| R_{thJA} | Package thermal resistance (junction to ambient) | | |
| | TQFP64 | 60 | °C/W |
| | SDIP56 | 45 | |
| | TQFP44 | 52 | |
| SDIP42 | 55 | | |
| P_D | Power dissipation ¹⁾ | 500 | mW |
| T_{Jmax} | Maximum junction temperature ²⁾ | 150 | °C |

Notes:

1. The power dissipation is obtained from the formula $P_D = P_{INT} + P_{PORT}$ where P_{INT} is the chip internal power ($I_{DD} \times V_{DD}$) and P_{PORT} is the port power dissipation determined by the user.
2. The average chip-junction temperature can be obtained from the formula $T_J = T_A + P_D \times R_{thJA}$.



 EEPW.com.cn 电子產品世界

16.3 SOLDERING AND GLUEABILITY INFORMATION

Recommended soldering information given only as design guidelines in Figure 104 and Figure 105.

Recommended glue for SMD plastic packages dedicated to molding compound with silicone:

- Heraeus: PD945, PD955
- Loctite: 3615, 3298

Figure 104. Recommended Wave Soldering Profile (with 37% Sn and 63% Pb)

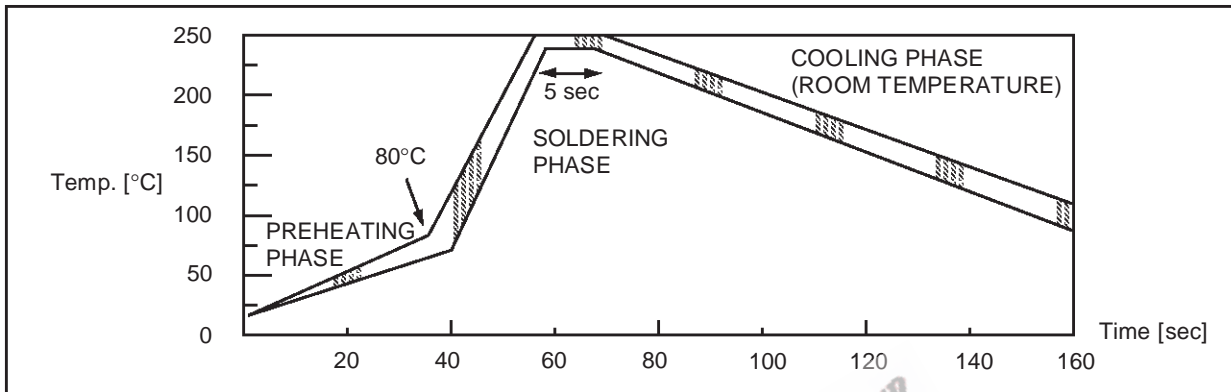
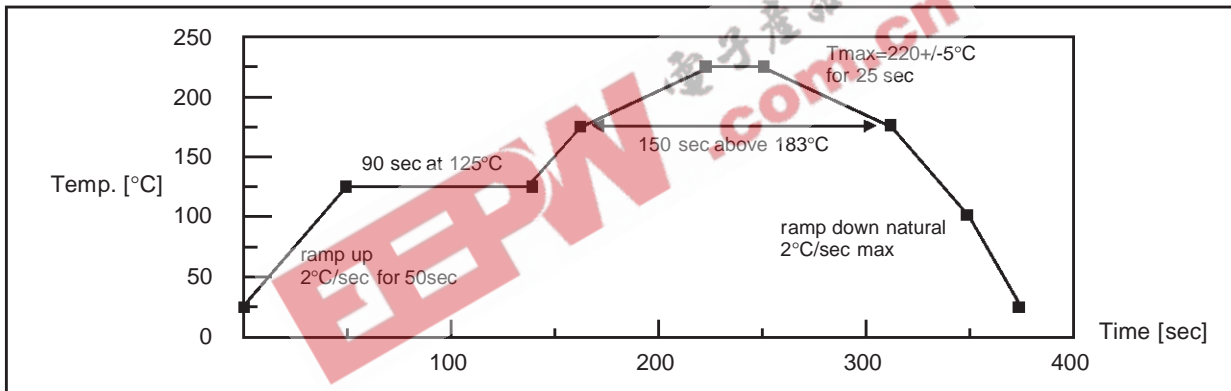


Figure 105. Recommended Reflow Soldering Oven Profile (MID JEDEC)



16.4 PACKAGE/SOCKET FOOTPRINT PROPOSAL

16.4.1 User-supplied TQFP64 Adaptor / Socket

To solder the TQFP64 device directly on the application board, or to solder a socket for connecting the emulator probe, the application board should provide the footprint described in Figure 106. This footprint allows both configurations:

- Direct TQFP64 soldering
 - YAMAICHI IC149-064-008-S5* socket soldering to plug either the emulator probe or an adaptor board with an TQFP64 clamshell socket.
- * Not compatible with TQFP64 package.

Figure 106. TQFP64 Device And Emulator Probe Compatible Footprint

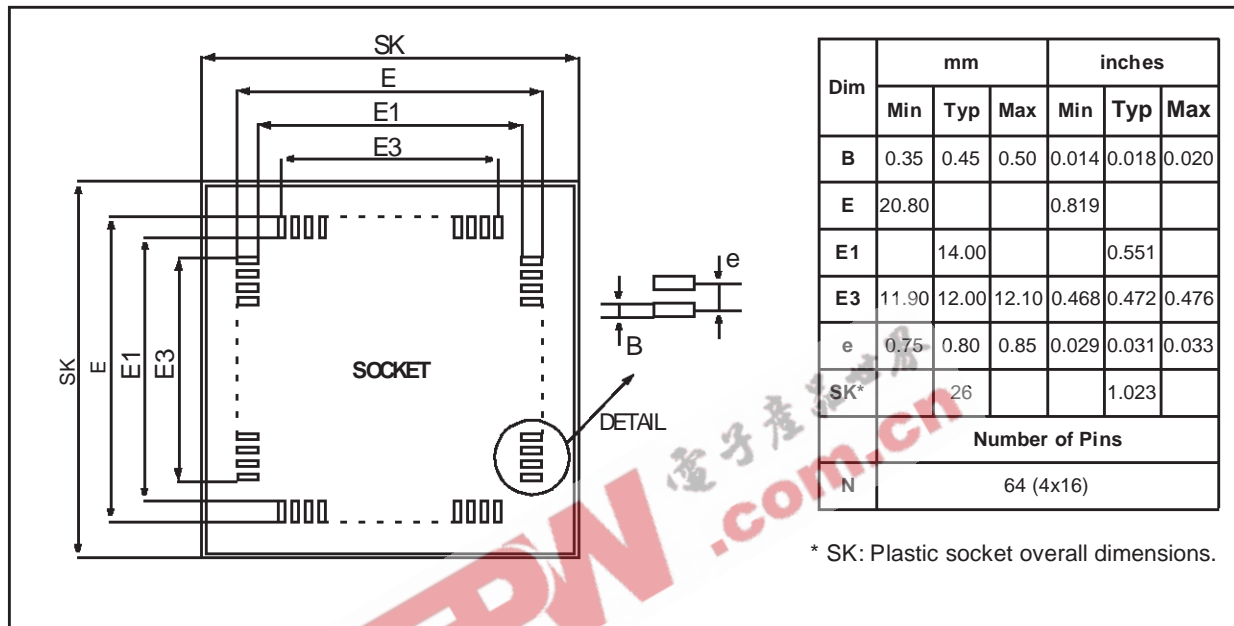


Table 25. Suggested List of TQFP64 Socket Types

| Package / Probe | Adaptor / Socket Reference | | Socket type |
|-----------------|----------------------------|-------------------------|-------------|
| TQFP64 | ENPLAS | OTQ-64-0.8-02 | Open Top |
| | YAMAICHI | IC51-0644-1240.KS-14584 | Clamshell |
| EMU PROBE | YAMAICHI | IC149-064-008-S5 | SMC |

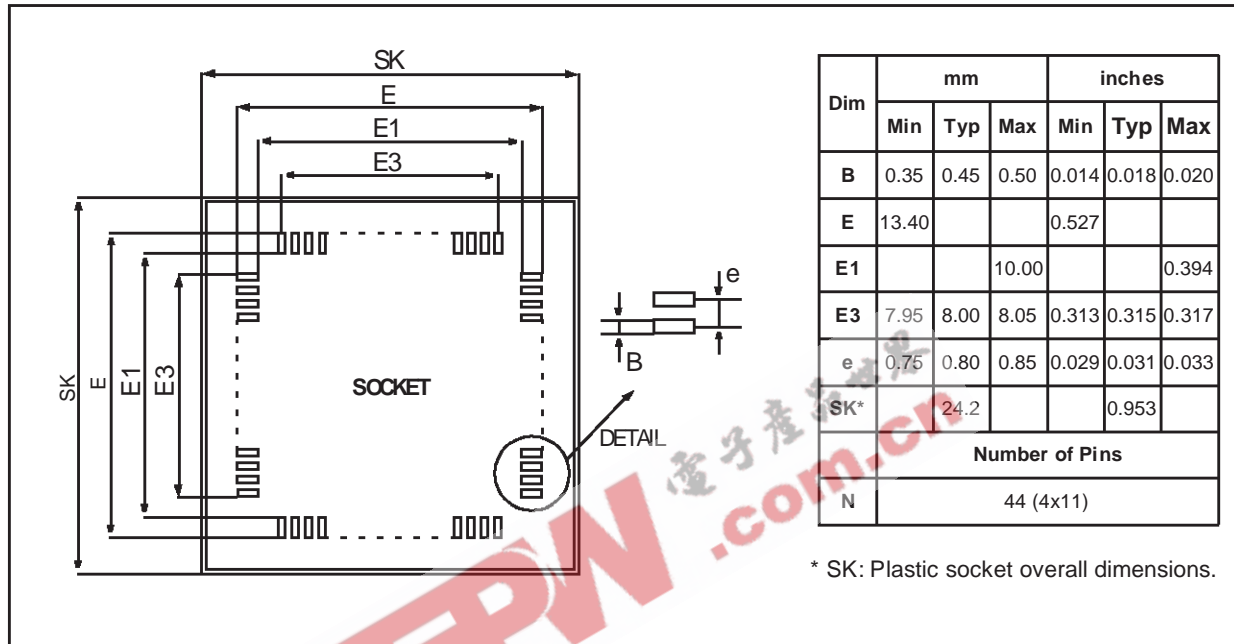
PACKAGE/SOCKET FOOTPRINT PROPOSAL (Cont'd)

16.4.2 User-supplied TQFP44 Adaptor / Socket

To solder the TQFP44 device directly on the application board, or to solder a socket for connecting the emulator probe, the application board should provide the footprint described in Figure 107. This footprint allows both configurations:

- Direct TQFP44 soldering
- YAMAICHI IC149-044-*52-S5 socket soldering to plug either the emulator probe or an adaptor board with an TQFP44 clamshell socket.

Figure 107. TQFP44 Device And Emulator Probe Compatible Footprint



Suggested List of TQFP44 Socket Types

| Package / Probe | Adaptor / Socket Reference | | Socket type |
|---------------------|----------------------------|------------------------|-------------|
| TQFP44 | ENPLAS | OTQ-44-0.8-04 | Open Top |
| | YAMAICHI | IC51-0444-467-KS-11787 | Clamshell |
| TQFP44 EMU PROBE | YAMAICHI | IC149-044-*52-S5 | SMC |

17 DEVICE CONFIGURATION AND ORDERING INFORMATION

Each device is available for production in user programmable versions (FLASH) as well as in factory coded versions (ROM). E²PROM data memory and FLASH devices are shipped to customers with a default content (FFh), while ROM factory coded parts contain the code supplied by the customer. This implies that FLASH devices have to be configured by the customer using the Option Bytes while the ROM devices are factory-configured.

17.1 OPTION BYTES

The two option bytes allow the hardware configuration of the microcontroller to be selected. The option bytes have no address in the memory map and can be accessed only in programming mode (for example using a standard ST7 programming tool). The default content of the FLASH is fixed to FFh. In masked ROM devices, the option bytes are fixed in hardware by the ROM code (see option list).

USER OPTION BYTE 0

Bit 7:2 = **Reserved**, must always be 1.

Bit 1 = **56/42 Package Configuration**.

This option bit allows to configured the device according to the package.

0: 42 or 44 pin packages
1: 56 or 64 pin packages

Bit 0 = **FMP Full memory protection**.

This option bit enables or disables external access to the internal program memory (read-out protection). Clearing this bit causes the erasing (to 00h) of the whole memory (including the option byte).

0: Program memory not read-out protected
1: Program memory read-out protected

Note: The data E2PROM is not protected by this bit in flash devices. In ROM devices, a protection can be selected in the Option List (see page 145).

USER OPTION BYTE 1

Bit 7 = **CSS Clock Security System disable**

This option bit enables or disables the CSS features.

0: CSS enabled
1: CSS disabled

Bit 6:4 = **OSC[2:0] Oscillator selection**

These three option bits can be used to select the main oscillator as shown in Table 26.

Bit 3:2 = **LVD[1:0] Low voltage detection selection**

These option bits enable the LVD block with a selected threshold as shown in Table 27.

Bit 1 = **WDG HALT Watchdog and halt mode**

This option bit determines if a RESET is generated when entering HALT mode while the Watchdog is active.

0: No Reset generation when entering Halt mode
1: Reset generation when entering Halt mode

Bit 0 = **WDG SW Hardware or software watchdog**

This option bit selects the watchdog type.

0: Hardware (watchdog always enabled)
1: Software (watchdog to be enabled by software)

Table 26. Main Oscillator Configuration

| Selected Oscillator | OSC2 | OSC1 | OSC0 |
|-----------------------------|------|------|------|
| External Clock (Stand-by) | 1 | 1 | 1 |
| ~4 MHz Internal RC | 1 | 1 | 0 |
| 1~14 MHz External RC | 1 | 0 | X |
| Low Power Resonator (LP) | 0 | 1 | 1 |
| Medium Power Resonator (MP) | 0 | 1 | 0 |
| Medium Speed Resonator (MS) | 0 | 0 | 1 |
| High Speed Resonator (HS) | 0 | 0 | 0 |

Table 27. LVD Threshold Configuration

| Configuration | LVD1 | LVD0 |
|------------------------------------|------|------|
| LVD Off | 1 | 1 |
| Highest Voltage Threshold (~4.50V) | 1 | 0 |
| Medium Voltage Threshold (~4.05V) | 0 | 1 |
| Lowest Voltage Threshold (~3.45V) | 0 | 0 |

| | USER OPTION BYTE 0 | | | | | | | | USER OPTION BYTE 1 | | | | | | | | |
|---------------|--------------------|---|---|---|---|---|---|-------|--------------------|-----|-------|-------|-------|------|------|----------|--------|
| | 7 | 6 | 5 | 4 | 3 | 2 | 1 | 0 | 7 | 6 | 5 | 4 | 3 | 2 | 1 | 0 | |
| | Reserved | | | | | | | 56/42 | FMP | CSS | OSC 2 | OSC 1 | OSC 0 | LVD1 | LVD0 | WDG HALT | WDG SW |
| Default Value | 1 | 1 | 1 | 1 | 1 | 1 | 1 | X | 0 | 1 | 1 | 1 | 0 | 1 | 1 | 1 | 1 |

DEVICE CONFIGURATION AND ORDERING INFORMATION (Cont'd)

17.1.1 Transfer Of Customer Code

Customer code is made up of the ROM contents and the list of the selected options (if any). The ROM contents are to be sent on diskette, or by electronic means, with the hexadecimal file in .S19 format generated by the development tool. All unused bytes must be set to FFh.

The selected options are communicated to STMicroelectronics using the correctly completed OPTION LIST appended.

The STMicroelectronics Sales Organization will be pleased to provide detailed information on contractual points.

Figure 108. ROM Factory Coded Device Types

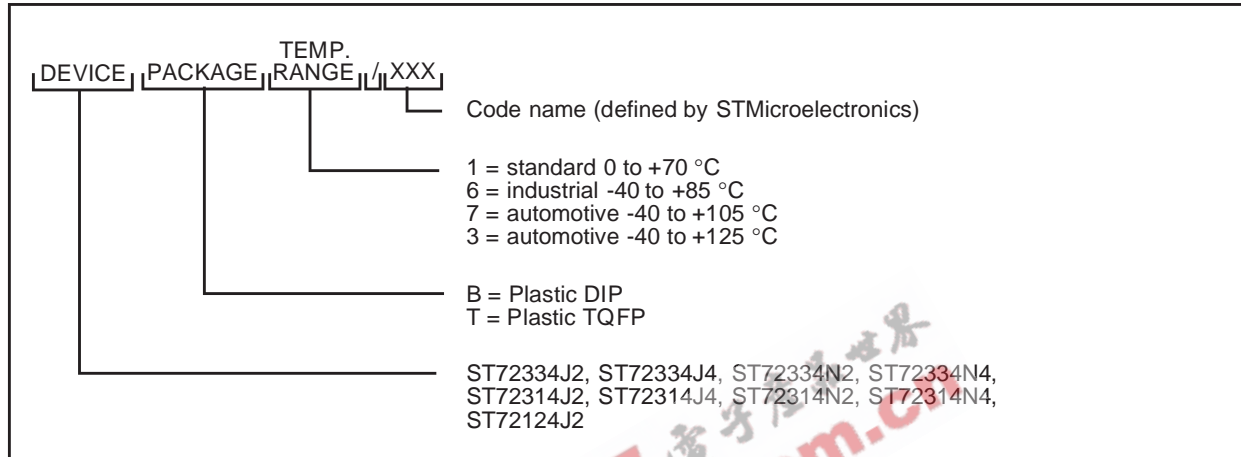
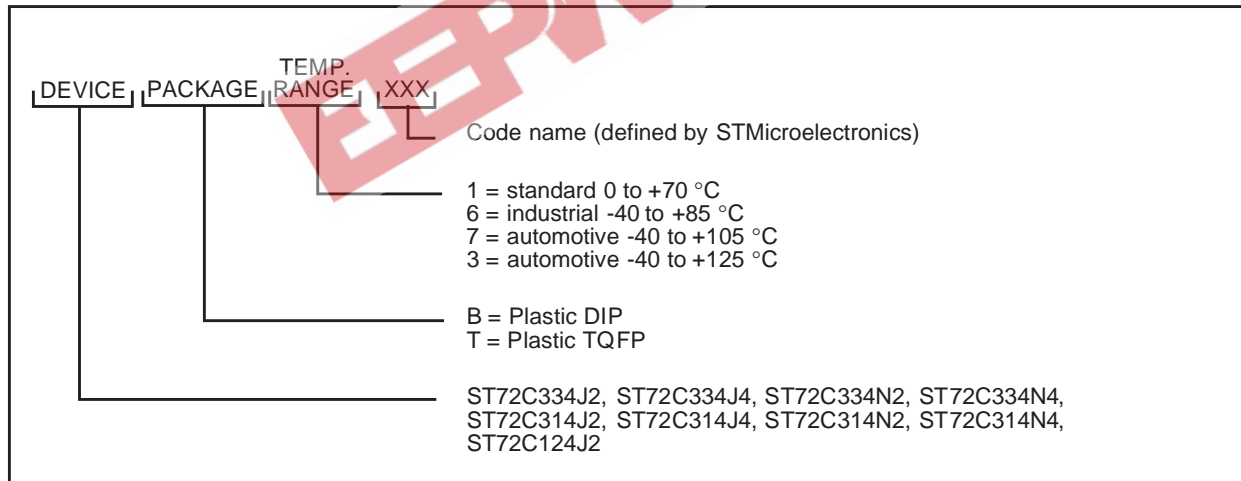


Figure 109. FLASH User Programmable Device Types



17.2 DEVELOPMENT TOOLS

STMicroelectronics offers a range of hardware and software development tools for the ST7 micro-controller family. Full details of tools available for the ST7 from third party manufacturers can be obtained from the STMicroelectronics Internet site:

→ <http://mcu.st.com>.

Third Party Tools

- ACTUM
- BP
- COSMIC
- CMX
- DATA I/O
- HITEK
- HIWARE
- ISYSTEM
- KANDA
- LEAP

Tools from these manufacturers include C compilers, emulators and gang programmers.

STMicroelectronics Tools

Three types of development tool are offered by ST, all of them connect to a PC via a parallel (LPT) port: see Table 28 and Table 29 for more details.

Table 28. STMicroelectronic Tool Features

| | In-Circuit Emulation | Programming Capability ¹⁾ | Software Included |
|------------------------------|--|--------------------------------------|---|
| ST7 Development Kit | Yes. (Same features as HDS2 emulator but without logic analyzer) | Yes (DIP packages only) | ST7 CD ROM with: – ST7 Assembly toolchain – STVD7 and WGDB7 powerful Source Level Debugger for Win 3.1, Win 95 and NT |
| ST7 HDS2 Emulator | Yes, powerful emulation features including trace/ logic analyzer | No | – C compiler demo versions – ST Realizer for Win 3.1 and Win 95. |
| ST7 Programming Board | No | Yes (All packages) | – Windows Programming Tools for Win 3.1, Win 95 and NT |

Table 29. Dedicated STMicroelectronics Development Tools

| Supported Products | ST7 Development Kit | ST7 HDS2 Emulator | ST7 Programming Board |
|--|---------------------|-------------------|---|
| ST72(C)334J2, ST72(C)334J4, ST72(C)334N2, ST72(C)334N4, ST72(C)314J2, ST72(C)314J4, ST72(C)314N2, ST72(C)314N4, ST72(C)124J2 | ST7MDT2-DVP2 | ST7MDT2-EMU2B | ST7MDT2-EPB2/EU ST7MDT2-EPB2/US ST7MDT2-EPB2/UK |

Note:

1. In-Situ Programming (ISP) interface for FLASH devices.

18 SUMMARY OF CHANGES

Description of the changes between the current release of the specification and the previous one.

| Revision | Main changes | Date |
|----------|--|--------|
| 2.1 | Figure 56 on page 107 updated. V_{DD} Min. value changed from 3.0 to 3.2V in Section 15.3.1 on page 107. I_{DD} values added in Section 15.4 on page 110. Ceramic Resonator data updated in Section 15.5.3 on page 114. R_{PU} min. value at V_{DD} 5V changed from 80 to 62 k Ω and max. value at V_{DD} 3.4V changed from 230 to 300k Ω in Section 15.8.1 on page 125. I/O port Output driving current values updated in Section 15.8.2 on page 126. ADC characteristics updated in Section 15.12 on page 135. Added note on data E2PROM memory protection in Section 17.1 on page 143. Updated option list on page 145. | May-00 |

EEPW 电子產品世界 .com.cn

Notes:



Information furnished is believed to be accurate and reliable. However, STMicroelectronics assumes no responsibility for the consequences of use of such information nor for any infringement of patents or other rights of third parties which may result from its use. No license is granted by implication or otherwise under any patent or patent rights of STMicroelectronics. Specifications mentioned in this publication are subject to change without notice. This publication supersedes and replaces all information previously supplied. STMicroelectronics products are not authorized for use as critical components in life support devices or systems without the express written approval of STMicroelectronics.

The ST logo is a registered trademark of STMicroelectronics

©2000 STMicroelectronics - All Rights Reserved.

Purchase of I²C Components by STMicroelectronics conveys a license under the Philips I²C Patent. Rights to use these components in an I²C system is granted provided that the system conforms to the I²C Standard Specification as defined by Philips.

STMicroelectronics Group of Companies

Australia - Brazil - China - Finland - France - Germany - Hong Kong - India - Italy - Japan - Malaysia - Malta - Morocco - Singapore - Spain
Sweden - Switzerland - United Kingdom - U.S.A.

<http://www.st.com>