

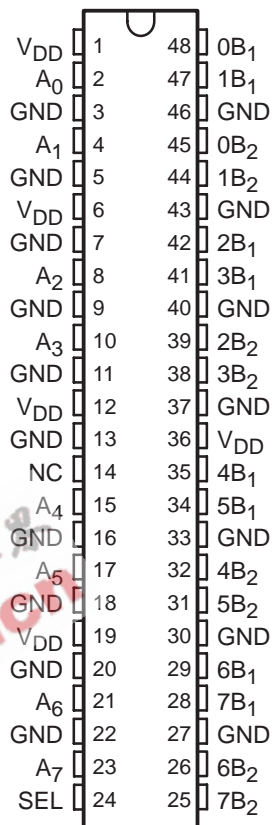
TS3L301

16-BIT TO 8-BIT SPDT GIGABIT LAN SWITCH WITH LOW AND FLAT ON-STATE RESISTANCE

SCDS178B – NOVEMBER 2004 – REVISED APRIL 2005

- **Wide Bandwidth** (BW = 900 MHz Typ)
- **Low Crosstalk** ($X_{TALK} = -41$ dB Typ)
- **Low Bit-to-Bit Skew** [$t_{sk(o)} = 0.2$ ns Max]
- **Low and Flat ON-State Resistance** ($r_{on} = 4 \Omega$ Typ, $r_{on(Flat)} = 0.7 \Omega$ Typ)
- **Low Input/Output Capacitance** ($C_{ON} = 10$ pF Typ)
- **Rail-to-Rail Switching on Data I/O Ports** (0 to 5 V)
- **V_{DD} Operating Range From 3 V to 3.6 V**
- **I_{off} Supports Partial-Power-Down Mode Operation**
- **Latch-Up Performance Exceeds 100 mA Per JESD 78, Class II**
- **ESD Performance Tested Per JESD 22**
 - 2000-V Human-Body Model (A114-B, Class II)
 - 1000-V Charged-Device Model (C101)
- **Suitable for 10/100/1000-Mbit Ethernet Signaling**
- **Applications**
 - 10/100/1000 Base-T Signal Switching
 - Differential (LVDS, LVPECL) Signal Switching
 - Digital Video Signal Routing
 - Notebook Docking Signal Routing
 - Hub and Router Signal Switching

**DGG OR DGV PACKAGE
(TOP VIEW)**



NC – No internal connection

description/ordering information

The TS3L301 is a 16-bit to 8-bit multiplexer/demultiplexer LAN switch with a single select (SEL) input. The SEL input controls the data path of the multiplexer/demultiplexer.

The device provides a low and flat on-state resistance (r_{on}) and an excellent on-resistance match. Low input/output capacitance, high-bandwidth, low skew, and low crosstalk among channels make this device suitable for various LAN applications, such as 10/100/1000 Base-T.

ORDERING INFORMATION

TA	PACKAGE†		ORDERABLE PART NUMBER	TOP-SIDE MARKING
–40°C to 85°C	TSSOP – DGG	Tape and reel	TS3L301DGGR	TS3L301
	TVSOP – DGV	Tape and reel	TS3L301DGVR	TK301

† Package drawings, standard packing quantities, thermal data, symbolization, and PCB design guidelines are available at www.ti.com/sc/package.



Please be aware that an important notice concerning availability, standard warranty, and use in critical applications of Texas Instruments semiconductor products and disclaimers thereto appears at the end of this data sheet.

PRODUCTION DATA information is current as of publication date. Products conform to specifications per the terms of Texas Instruments standard warranty. Production processing does not necessarily include testing of all parameters.

 **TEXAS
INSTRUMENTS**

POST OFFICE BOX 655303 • DALLAS, TEXAS 75265

Copyright © 2005, Texas Instruments Incorporated

TS3L301
16-BIT TO 8-BIT SPDT GIGABIT LAN SWITCH
WITH LOW AND FLAT ON-STATE RESISTANCE

SCDS178B – NOVEMBER 2004 – REVISED APRIL 2005

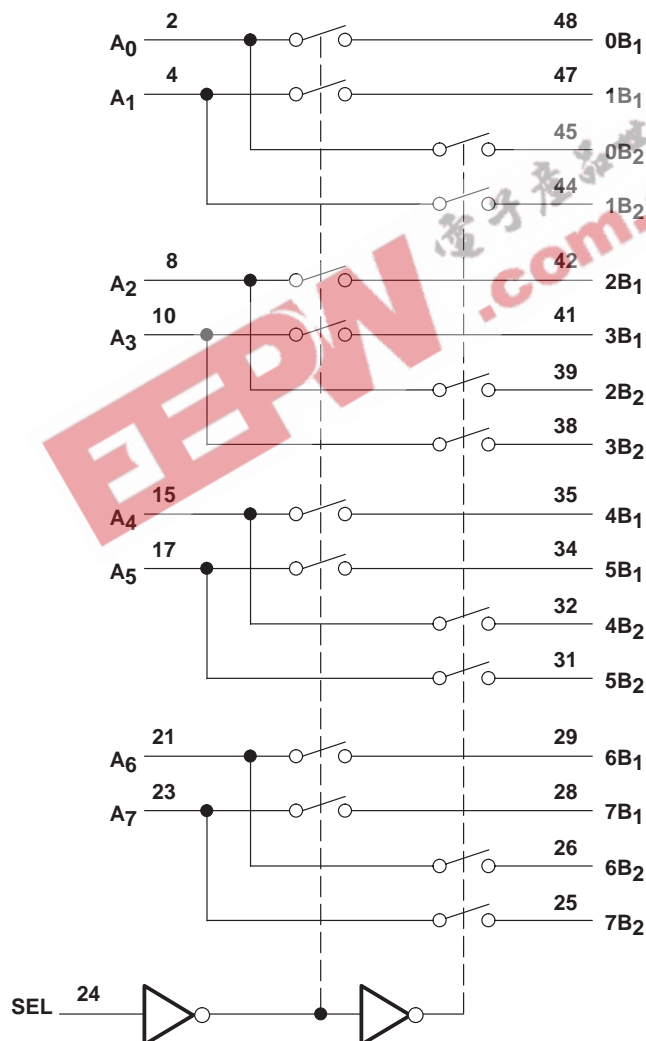
FUNCTION TABLE

INPUT	INPUT/OUTPUT	FUNCTION
SEL	A_n	
L	nB_1	$A_n = nB_1$
H	nB_2	$A_n = nB_2$

PIN DESCRIPTIONS

PIN NAME	DESCRIPTION
A_n	Data I/Os
nB_m	Data I/Os
SEL	Select input

logic diagram (positive logic)



TS3L301

16-BIT TO 8-BIT SPDT GIGABIT LAN SWITCH WITH LOW AND FLAT ON-STATE RESISTANCE

SCDS178B – NOVEMBER 2004 – REVISED APRIL 2005

absolute maximum ratings over operating free-air temperature range (unless otherwise noted)†

Supply voltage range, V_{DD}	–0.5 V to 4.6 V
Control input voltage range, V_{IN} (see Notes 1 and 2)	–0.5 V to 7 V
Switch I/O voltage range, $V_{I/O}$ (see Notes 1, 2, and 3)	–0.5 V to 7 V
Control input clamp current, I_{IK} ($V_{IN} < 0$)	–50 mA
I/O port clamp current, $I_{I/OK}$ ($V_{I/O} < 0$)	–50 mA
ON-state switch current, $I_{I/O}$ (see Note 4)	±128 mA
Continuous current through V_{DD} or GND terminals	±100 mA
Package thermal impedance, θ_{JA} (see Note 5): DGG package	70°C/W
DGV package	58°C/W
Storage temperature range, T_{stg}	–65°C to 150°C

† Stresses beyond those listed under “absolute maximum ratings” may cause permanent damage to the device. These are stress ratings only, and functional operation of the device at these or any other conditions beyond those indicated under “recommended operating conditions” is not implied. Exposure to absolute-maximum-rated conditions for extended periods may affect device reliability.

- NOTES:
1. All voltages are with respect to ground, unless otherwise specified.
 2. The input and output voltage ratings may be exceeded if the input and output clamp-current ratings are observed.
 3. V_I and V_O are used to denote specific conditions for $V_{I/O}$.
 4. I_I and I_O are used to denote specific conditions for $I_{I/O}$.
 5. The package thermal impedance is calculated in accordance with JESD 51-7.

recommended operating conditions (see Note 6)

		MIN	MAX	UNIT
V_{DD}	Supply voltage	3	3.6	V
V_{IH}	High-level control input voltage (SEL)	2	5.5	V
V_{IL}	Low-level control input voltage (SEL)	0	0.8	V
$V_{I/O}$	Input/output voltage	0	5.5	V
T_A	Operating free-air temperature	–40	85	°C

NOTE 6: All unused control inputs of the device must be held at V_{DD} or GND to ensure proper device operation. Refer to the TI application report, *Implications of Slow or Floating CMOS Inputs*, literature number SCBA004.

TS3L301

16-BIT TO 8-BIT SPDT GIGABIT LAN SWITCH WITH LOW AND FLAT ON-STATE RESISTANCE

SCDS178B – NOVEMBER 2004 – REVISED APRIL 2005

electrical characteristics for 1000 Base-T ethernet switching over recommended operating free-air temperature range, $V_{DD} = 3.3 \text{ V} \pm 0.3 \text{ V}$ (unless otherwise noted)

PARAMETER		TEST CONDITIONS		MIN	TYP†	MAX	UNIT
V_{IK}	SEL	$V_{DD} = 3.6 \text{ V}$,	$I_{IN} = -18 \text{ mA}$	-0.7	-1.2		V
I_{IH}	SEL	$V_{DD} = 3.6 \text{ V}$,	$V_{IN} = V_{DD}$			± 1	μA
I_{IL}	SEL	$V_{DD} = 3.6 \text{ V}$,	$V_{IN} = \text{GND}$			± 1	μA
I_{off}		$V_{DD} = 0$,	$V_O = 0 \text{ to } 3.6 \text{ V}$,			1	μA
I_{CC}		$V_{DD} = 3.6 \text{ V}$,	$I_{I/O} = 0$,		250	600	μA
C_{IN}	SEL	$f = 1 \text{ MHz}$,	$V_{IN} = 0$		2.5	3	pF
C_{OFF}	B port	$V_I = 0$,	$f = 1 \text{ MHz}$, Outputs open,		3.5	4	pF
C_{ON}		$V_I = 0$,	$f = 1 \text{ MHz}$, Outputs open,		10	10.9	pF
r_{on}		$V_{DD} = 3 \text{ V}$	$1.5 \text{ V} \leq V_I \leq V_{DD}$,		4	8	Ω
$r_{on(Flat)}^\ddagger$		$V_{DD} = 3 \text{ V}$	$V_I = 1.5 \text{ V}$ and V_{DD} ,		0.7		Ω
Δr_{on}^\S		$V_{DD} = 3 \text{ V}$,	$1.5 \text{ V} \leq V_I \leq V_{DD}$,		0.2	1.2	Ω

V_I , V_O , I_I , and I_O refer to I/O pins. V_{IN} refers to the control inputs.

† All typical values are at $V_{DD} = 3.3 \text{ V}$ (unless otherwise noted), $T_A = 25^\circ\text{C}$.

‡ $r_{on(Flat)}$ is the difference of r_{on} in a given channel at specified voltages.

§ Δr_{on} is the difference of r_{on} from center (A4, A5) ports to any other port.

electrical characteristics for 10/100 Base-T ethernet switching over recommended operating free-air temperature range, $V_{DD} = 3.3 \text{ V} \pm 0.3 \text{ V}$ (unless otherwise noted)

PARAMETER		TEST CONDITIONS		MIN	TYP†	MAX	UNIT
V_{IK}	SEL	$V_{DD} = 3.6 \text{ V}$,	$I_{IN} = -18 \text{ mA}$	-0.7	-1.2		V
I_{IH}	SEL	$V_{DD} = 3.6 \text{ V}$,	$V_{IN} = V_{DD}$			± 1	μA
I_{IL}	SEL	$V_{DD} = 3.6 \text{ V}$,	$V_{IN} = \text{GND}$			± 1	μA
I_{off}		$V_{DD} = 0$,	$V_O = 0 \text{ to } 3.6 \text{ V}$,			1	μA
I_{CC}		$V_{DD} = 3.6 \text{ V}$,	$I_{I/O} = 0$,		250	600	μA
C_{IN}	SEL	$f = 1 \text{ MHz}$,	$V_{IN} = 0$		2.5	3	pF
C_{OFF}	B port	$V_I = 0$,	$f = 1 \text{ MHz}$, Outputs open,		3.5	4	pF
C_{ON}		$V_I = 0$,	$f = 1 \text{ MHz}$, Outputs open,		10	10.9	pF
r_{on}		$V_{DD} = 3 \text{ V}$	$1.25 \text{ V} \leq V_I \leq V_{DD}$,		4	8	Ω
$r_{on(Flat)}^\ddagger$		$V_{DD} = 3 \text{ V}$	$V_I = 1.25 \text{ V}$ and V_{DD} ,		0.7		Ω
Δr_{on}^\S		$V_{DD} = 3 \text{ V}$,	$1.25 \text{ V} \leq V_I \leq V_{DD}$,		0.2	1.2	Ω

V_I , V_O , I_I , and I_O refer to I/O pins. V_{IN} refers to the control inputs.

† All typical values are at $V_{DD} = 3.3 \text{ V}$ (unless otherwise noted), $T_A = 25^\circ\text{C}$.

‡ $r_{on(Flat)}$ is the difference of r_{on} in a given channel at specified voltages.

§ Δr_{on} is the difference of r_{on} from center (A4, A5) ports to any other port.

TS3L301
16-BIT TO 8-BIT SPDT GIGABIT LAN SWITCH
WITH LOW AND FLAT ON-STATE RESISTANCE

SCDS178B – NOVEMBER 2004 – REVISED APRIL 2005

switching characteristics over recommended operating free-air temperature range,
 $V_{DD} = 3.3 \text{ V} \pm 0.3 \text{ V}$, $R_L = 200 \ \Omega$, $C_L = 10 \text{ pF}$ (unless otherwise noted) (see Figures 4 and 5)

PARAMETER	FROM (INPUT)	TO (OUTPUT)	MIN	TYP†	MAX	UNIT
t_{pd}^\ddagger	A or B	B or A		0.25		ns
t_{PZH} , t_{PZL}	SEL	A or B	1.5		11.5	ns
t_{PHZ} , t_{PLZ}	SEL	A or B	1		8.5	ns
$t_{sk(o)}^\S$	A or B	B or A		0.1	0.2	ns
$t_{sk(p)}^\P$				0.1	0.2	ns

† All typical values are at $V_{DD} = 3.3 \text{ V}$ (unless otherwise noted), $T_A = 25^\circ\text{C}$.

‡ The propagation delay is the calculated RC time constant of the typical ON-state resistance of the switch and the specified load capacitance when driven by an ideal voltage source (zero output impedance).

§ Output skew between center port (A₄ to A₅) to any other port

¶ Skew between opposite transitions of the same output in a given device $|t_{PHL} - t_{PLH}|$

dynamic characteristics over recommended operating free-air temperature range,
 $V_{DD} = 3.3 \text{ V} \pm 0.3 \text{ V}$ (unless otherwise noted)

PARAMETER	TEST CONDITIONS			TYP†	UNIT
X _{TALK}	$R_L = 100 \ \Omega$,	$f = 250 \text{ MHz}$,	See Figure 7	-41	dB
O _{IRR}	$R_L = 100 \ \Omega$,	$f = 250 \text{ MHz}$,	See Figure 8	-39	dB
BW	$R_L = 100 \ \Omega$,	See Figure 6		900	MHz

† All typical values are at $V_{DD} = 3.3 \text{ V}$ (unless otherwise noted), $T_A = 25^\circ\text{C}$.

TS3L301
16-BIT TO 8-BIT SPDT GIGABIT LAN SWITCH
WITH LOW AND FLAT ON-STATE RESISTANCE

SCDS178B – NOVEMBER 2004 – REVISED APRIL 2005

OPERATING CHARACTERISTICS

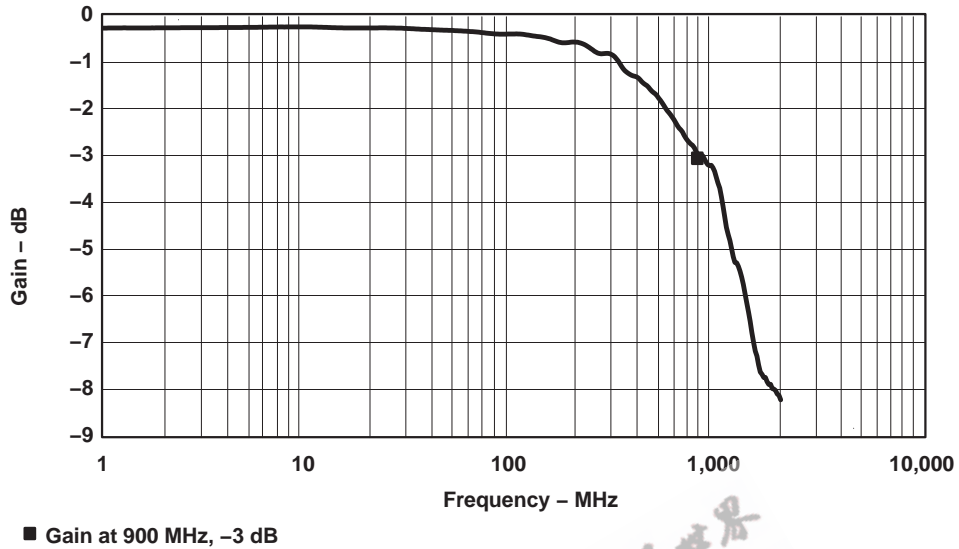


Figure 1. Gain vs Frequency

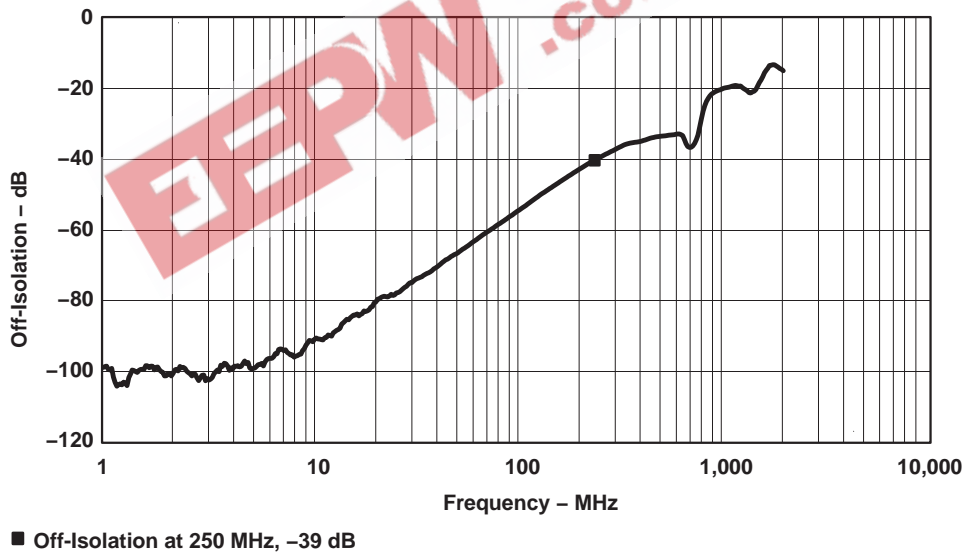


Figure 2. Off-Isolation vs Frequency

OPERATING CHARACTERISTICS (continued)

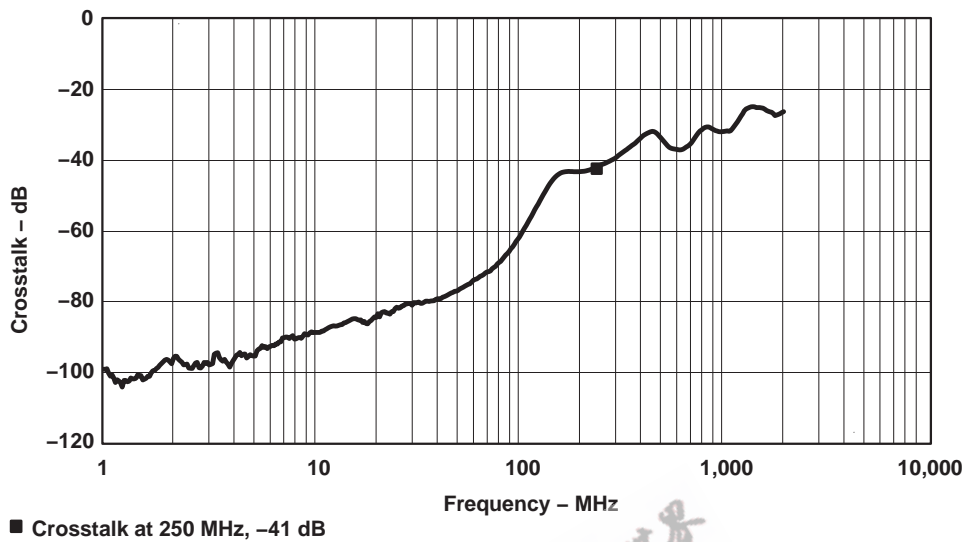


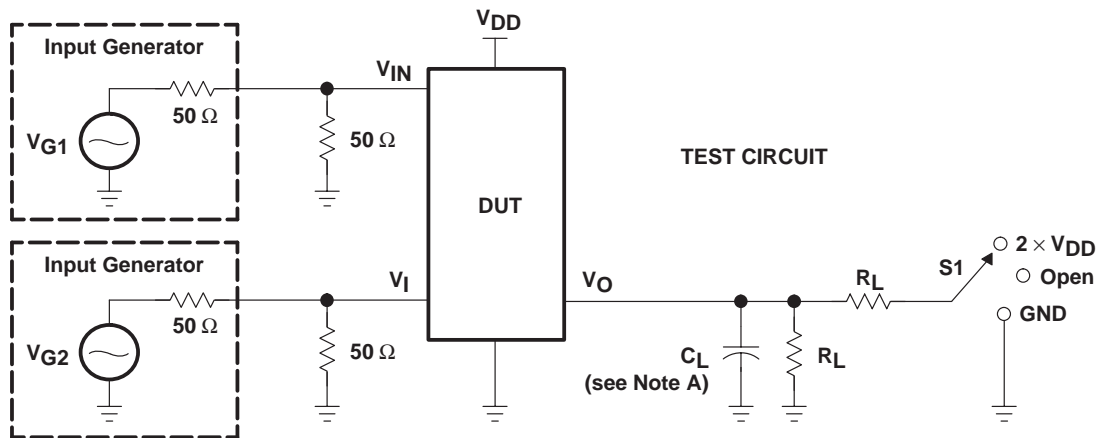
Figure 3. Crosstalk vs Frequency

EEPW.com.cn 电子工程世界

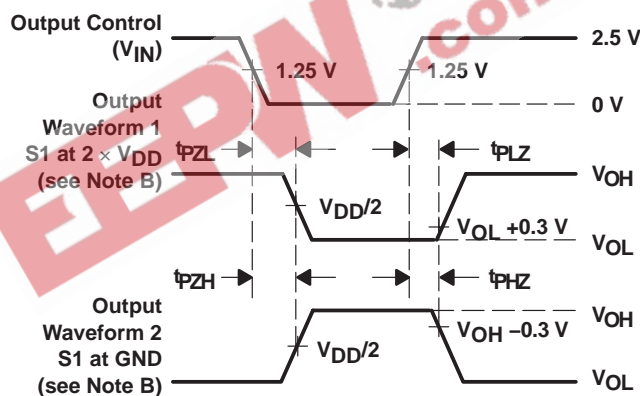
TS3L301
16-BIT TO 8-BIT SPDT GIGABIT LAN SWITCH
WITH LOW AND FLAT ON-STATE RESISTANCE

SCDS178B – NOVEMBER 2004 – REVISED APRIL 2005

PARAMETER MEASUREMENT INFORMATION
FOR ENABLE AND DISABLE TIMES



TEST	V _{DD}	S1	R _L	V _I	C _L	V _Δ
t _{PLZ} /t _{PZL}	3.3 V ± 0.3 V	2 × V _{DD}	200 Ω	GND	10 pF	0.3 V
t _{PHZ} /t _{PZH}	3.3 V ± 0.3 V	GND	200 Ω	V _{DD}	10 pF	0.3 V

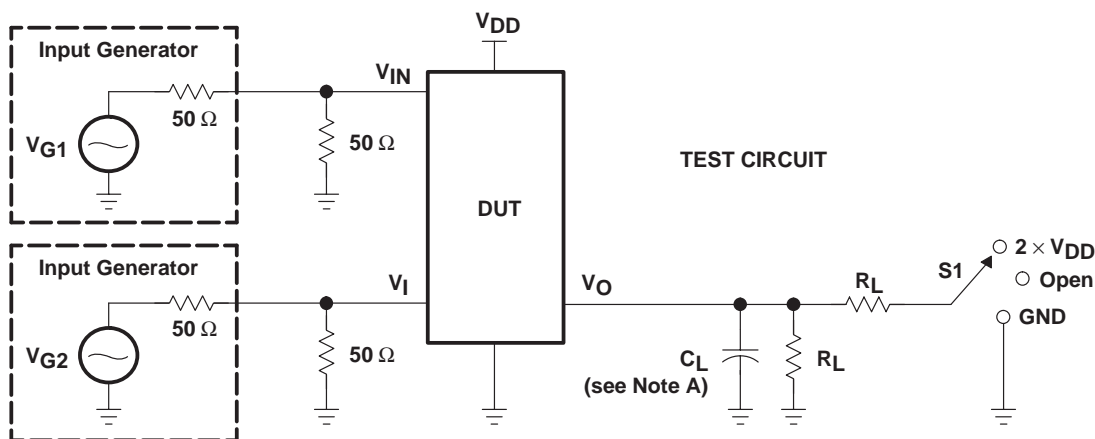


VOLTAGE WAVEFORMS
ENABLE AND DISABLE TIMES

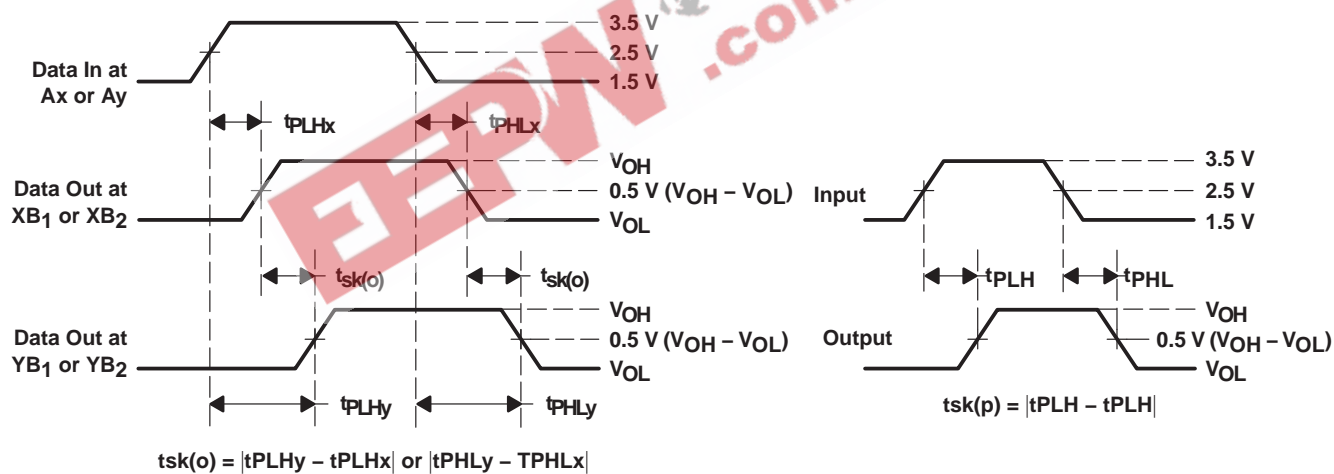
- NOTES: A. C_L includes probe and jig capacitance.
 B. Waveform 1 is for an output with internal conditions such that the output is low, except when disabled by the output control. Waveform 2 is for an output with internal conditions such that the output is high, except when disabled by the output control.
 C. All input pulses are supplied by generators having the following characteristics: PRR ≤ 10 MHz, Z_O = 50 Ω, t_r ≤ 2.5 ns, t_f ≤ 2.5 ns.
 D. The outputs are measured one at a time, with one transition per measurement.
 E. t_{PLZ} and t_{PHZ} are the same as t_{dis}.
 F. t_{PZL} and t_{PZH} are the same as t_{en}.

Figure 4. Test Circuit and Voltage Waveforms

**PARAMETER MEASUREMENT INFORMATION
 FOR SKEW**



TEST	V _{DD}	S1	R _L	V _I	C _L	V _Δ
t _{sk(o)}	3.3 V ± 0.3 V	Open	200 Ω	V _{DD} or GND	10 pF	
t _{sk(p)}	3.3 V ± 0.3 V	Open	200 Ω	V _{DD} or GND	10 pF	



**VOLTAGE WAVEFORMS
 OUTPUT SKEW (t_{sk(o)})**

**VOLTAGE WAVEFORMS
 PULSE SKEW (t_{sk(p)})**

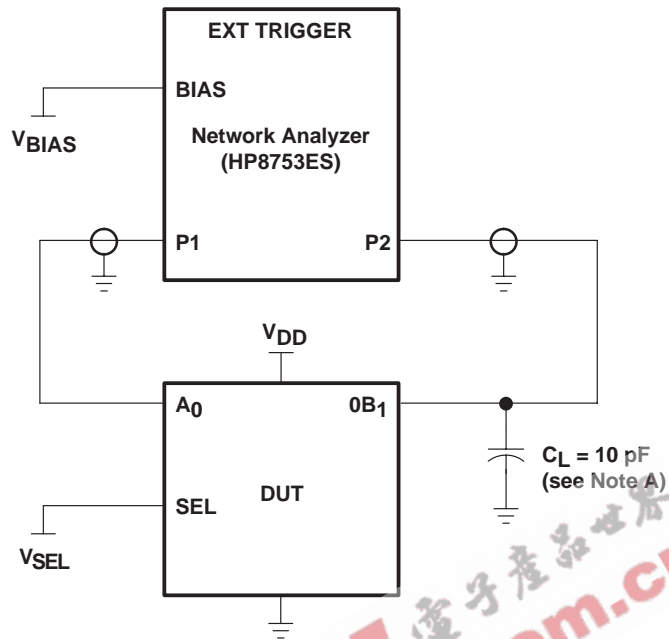
- NOTES: A. C_L includes probe and jig capacitance.
 B. Waveform 1 is for an output with internal conditions such that the output is low, except when disabled by the output control. Waveform 2 is for an output with internal conditions such that the output is high, except when disabled by the output control.
 C. All input pulses are supplied by generators having the following characteristics: PRR ≤ 10 MHz, Z_O = 50 Ω, t_r ≤ 2.5 ns, t_f ≤ 2.5 ns.
 D. The outputs are measured one at a time, with one transition per measurement.

Figure 5. Test Circuit and Voltage Waveforms

TS3L301
16-BIT TO 8-BIT SPDT GIGABIT LAN SWITCH
WITH LOW AND FLAT ON-STATE RESISTANCE

SCDS178B – NOVEMBER 2004 – REVISED APRIL 2005

PARAMETER MEASUREMENT INFORMATION



NOTE A: C_L includes probe and jig capacitance.

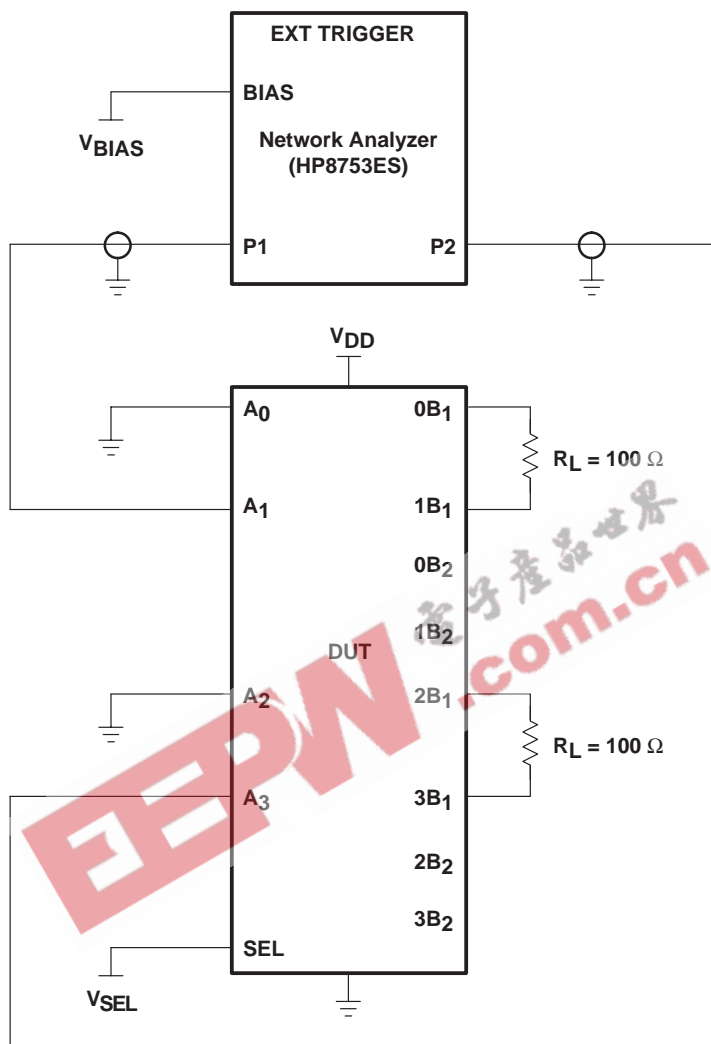
Figure 6. Test Circuit for Frequency Response (BW)

Frequency response is measured at the output of the ON channel. For example, when $V_{SEL} = 0$ and A_0 is the input, the output is measured at OB_1 . All unused analog I/O ports are left open.

HP8753ES setup

- Average = 4
- RBW = 3 kHz
- $V_{BIAS} = 0.35$ V
- ST = 2 s
- P1 = 0 dBm

PARAMETER MEASUREMENT INFORMATION



- NOTES: A. C_L includes probe and jig capacitance.
 B. A 50- Ω termination resistor is needed to match the loading of the network analyzer.

Figure 7. Test Circuit for Crosstalk (X_{TALK})

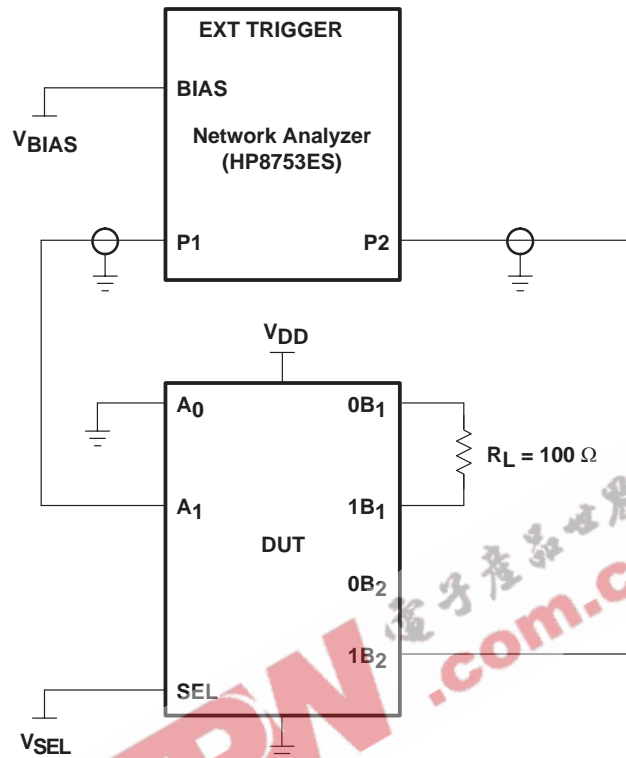
Crosstalk is measured at the output of the nonadjacent ON channel. For example, when $V_{SEL} = 0$ and A_1 is the input, the output is measured at A_3 . All unused analog input (A) ports are connected to GND, and output (B) ports are left open.

HP8753ES setup

- Average = 4
- RBW = 3 kHz
- $V_{BIAS} = 0.35$ V
- ST = 2 s
- P1 = 0 dBm

TS3L301
16-BIT TO 8-BIT SPDT GIGABIT LAN SWITCH
WITH LOW AND FLAT ON-STATE RESISTANCE
 SCDS178B – NOVEMBER 2004 – REVISED APRIL 2005

PARAMETER MEASUREMENT INFORMATION



- NOTES: A. C_L includes probe and jig capacitance.
 B. A 50- Ω termination resistor is needed to match the loading of the network analyzer.

Figure 8. Test Circuit for Off Isolation (O_{IRR})

OFF isolation is measured at the output of the OFF channel. For example, when $V_{SEL} = GND$ and A_1 is the input, the output is measured at $1B_2$. All unused analog input (A) ports are connected to ground, and output (B) ports are left open.

HP8753ES setup

- Average = 4
- RBW = 3 kHz
- $V_{BIAS} = 0.35\text{ V}$
- ST = 2 s
- P1 = 0 dBm

PACKAGING INFORMATION

Orderable Device	Status ⁽¹⁾	Package Type	Package Drawing	Pins	Package Qty	Eco Plan ⁽²⁾	Lead/Ball Finish	MSL Peak Temp ⁽³⁾
TS3L301DGGR	ACTIVE	TSSOP	DGG	48	2000	Pb-Free (RoHS)	CU NIPDAU	Level-1-250C-UNLIM
TS3L301DGVR	ACTIVE	TVSOP	DGV	48	2000	Pb-Free (RoHS)	CU NIPDAU	Level-1-250C-UNLIM

⁽¹⁾ The marketing status values are defined as follows:

ACTIVE: Product device recommended for new designs.

LIFEBUY: TI has announced that the device will be discontinued, and a lifetime-buy period is in effect.

NRND: Not recommended for new designs. Device is in production to support existing customers, but TI does not recommend using this part in a new design.

PREVIEW: Device has been announced but is not in production. Samples may or may not be available.

OBSOLETE: TI has discontinued the production of the device.

⁽²⁾ Eco Plan - The planned eco-friendly classification: Pb-Free (RoHS) or Green (RoHS & no Sb/Br) - please check <http://www.ti.com/productcontent> for the latest availability information and additional product content details.

TBD: The Pb-Free/Green conversion plan has not been defined.

Pb-Free (RoHS): TI's terms "Lead-Free" or "Pb-Free" mean semiconductor products that are compatible with the current RoHS requirements for all 6 substances, including the requirement that lead not exceed 0.1% by weight in homogeneous materials. Where designed to be soldered at high temperatures, TI Pb-Free products are suitable for use in specified lead-free processes.

Green (RoHS & no Sb/Br): TI defines "Green" to mean Pb-Free (RoHS compatible), and free of Bromine (Br) and Antimony (Sb) based flame retardants (Br or Sb do not exceed 0.1% by weight in homogeneous material)

⁽³⁾ MSL, Peak Temp. -- The Moisture Sensitivity Level rating according to the JEDEC industry standard classifications, and peak solder temperature.

Important Information and Disclaimer: The information provided on this page represents TI's knowledge and belief as of the date that it is provided. TI bases its knowledge and belief on information provided by third parties, and makes no representation or warranty as to the accuracy of such information. Efforts are underway to better integrate information from third parties. TI has taken and continues to take reasonable steps to provide representative and accurate information but may not have conducted destructive testing or chemical analysis on incoming materials and chemicals. TI and TI suppliers consider certain information to be proprietary, and thus CAS numbers and other limited information may not be available for release.

In no event shall TI's liability arising out of such information exceed the total purchase price of the TI part(s) at issue in this document sold by TI to Customer on an annual basis.

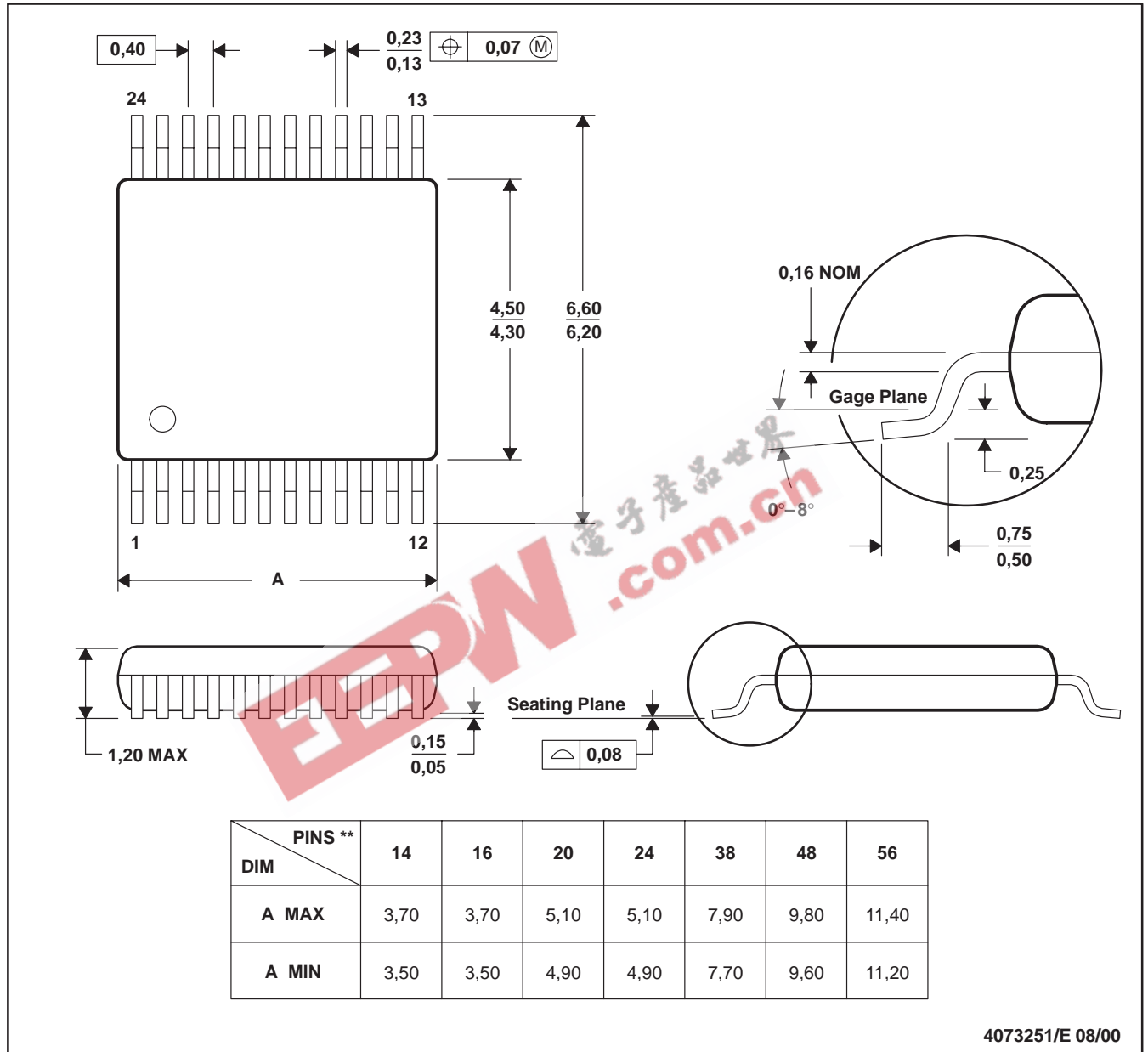
MECHANICAL DATA

MPDS006C – FEBRUARY 1996 – REVISED AUGUST 2000

DGV (R-PDSO-G**)

PLASTIC SMALL-OUTLINE

24 PINS SHOWN



4073251/E 08/00

- NOTES: A. All linear dimensions are in millimeters.
 B. This drawing is subject to change without notice.
 C. Body dimensions do not include mold flash or protrusion, not to exceed 0,15 per side.
 D. Falls within JEDEC: 24/48 Pins – MO-153
 14/16/20/56 Pins – MO-194

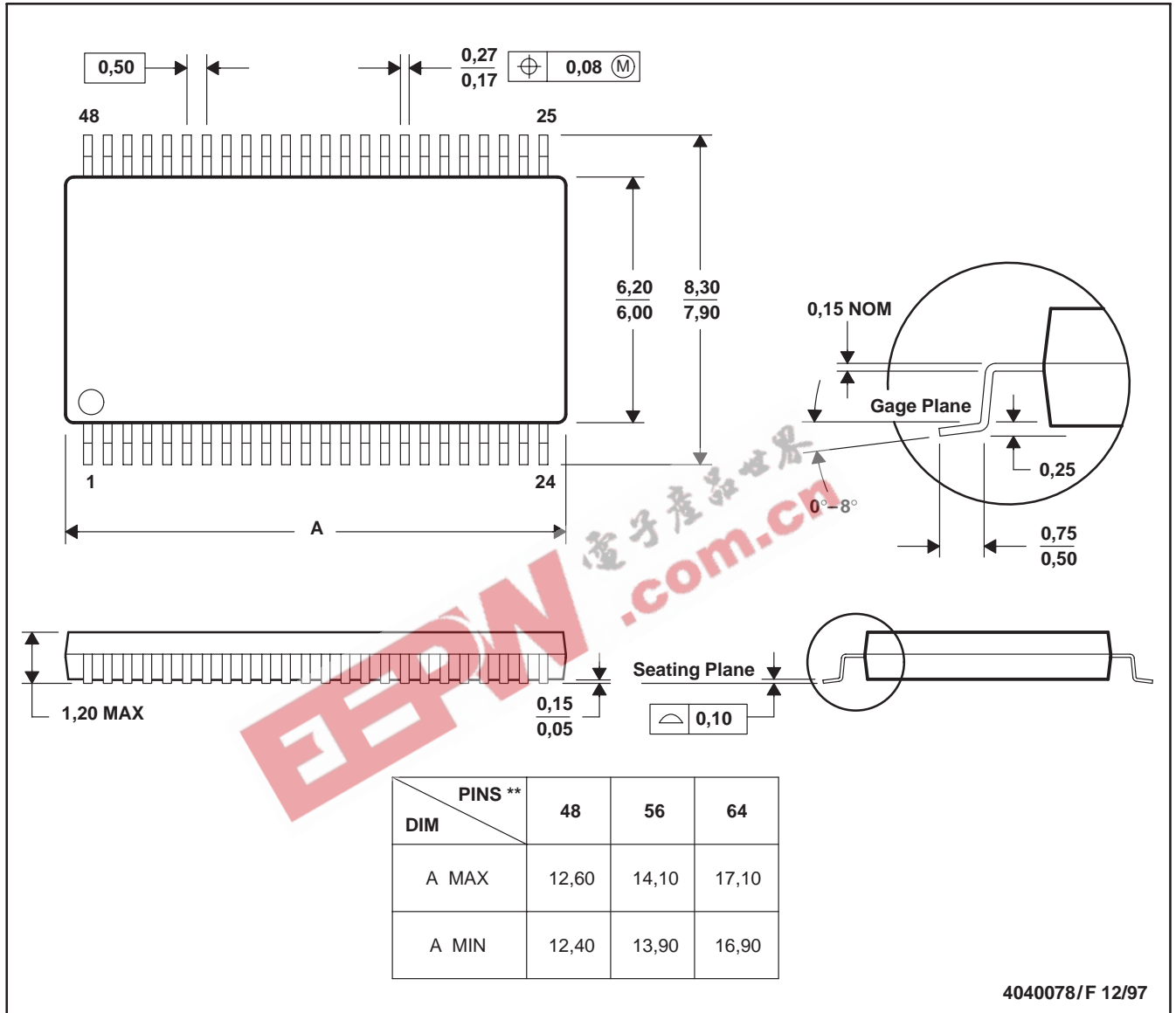
MECHANICAL DATA

MTSS003D – JANUARY 1995 – REVISED JANUARY 1998

DGG (R-PDSO-G**)

PLASTIC SMALL-OUTLINE PACKAGE

48 PINS SHOWN



- NOTES:
- All linear dimensions are in millimeters.
 - This drawing is subject to change without notice.
 - Body dimensions do not include mold protrusion not to exceed 0,15.
 - Falls within JEDEC MO-153

IMPORTANT NOTICE

Texas Instruments Incorporated and its subsidiaries (TI) reserve the right to make corrections, modifications, enhancements, improvements, and other changes to its products and services at any time and to discontinue any product or service without notice. Customers should obtain the latest relevant information before placing orders and should verify that such information is current and complete. All products are sold subject to TI's terms and conditions of sale supplied at the time of order acknowledgment.

TI warrants performance of its hardware products to the specifications applicable at the time of sale in accordance with TI's standard warranty. Testing and other quality control techniques are used to the extent TI deems necessary to support this warranty. Except where mandated by government requirements, testing of all parameters of each product is not necessarily performed.

TI assumes no liability for applications assistance or customer product design. Customers are responsible for their products and applications using TI components. To minimize the risks associated with customer products and applications, customers should provide adequate design and operating safeguards.

TI does not warrant or represent that any license, either express or implied, is granted under any TI patent right, copyright, mask work right, or other TI intellectual property right relating to any combination, machine, or process in which TI products or services are used. Information published by TI regarding third-party products or services does not constitute a license from TI to use such products or services or a warranty or endorsement thereof. Use of such information may require a license from a third party under the patents or other intellectual property of the third party, or a license from TI under the patents or other intellectual property of TI.

Reproduction of information in TI data books or data sheets is permissible only if reproduction is without alteration and is accompanied by all associated warranties, conditions, limitations, and notices. Reproduction of this information with alteration is an unfair and deceptive business practice. TI is not responsible or liable for such altered documentation.

Resale of TI products or services with statements different from or beyond the parameters stated by TI for that product or service voids all express and any implied warranties for the associated TI product or service and is an unfair and deceptive business practice. TI is not responsible or liable for any such statements.

Following are URLs where you can obtain information on other Texas Instruments products and application solutions:

Products		Applications	
Amplifiers	amplifier.ti.com	Audio	www.ti.com/audio
Data Converters	dataconverter.ti.com	Automotive	www.ti.com/automotive
DSP	dsp.ti.com	Broadband	www.ti.com/broadband
Interface	interface.ti.com	Digital Control	www.ti.com/digitalcontrol
Logic	logic.ti.com	Military	www.ti.com/military
Power Mgmt	power.ti.com	Optical Networking	www.ti.com/opticalnetwork
Microcontrollers	microcontroller.ti.com	Security	www.ti.com/security
		Telephony	www.ti.com/telephony
		Video & Imaging	www.ti.com/video
		Wireless	www.ti.com/wireless

Mailing Address: Texas Instruments
Post Office Box 655303 Dallas, Texas 75265