

## TIP866 8 Channel Serial Interface RS232 / TTL / RS422

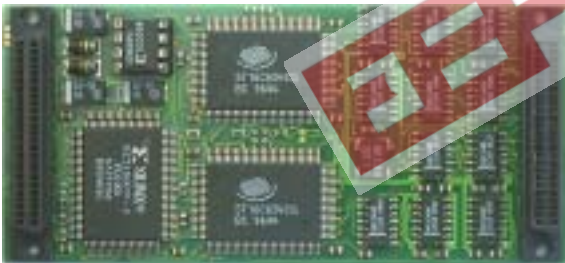
### Application Information

The TIP866 is an IndustryPack® compatible module providing eight channels of high performance serial interface. Three different modules are available. The TIP866-10 provides RS232 interface, the TIP866-11 offers TTL level interface and the TIP866-20 provides RS422 interface. Each channel has a 64 byte transmit FIFO and a 64 byte receive FIFO to significantly reduce the overhead required to provide data to and get data from the transmitters and receivers. The FIFO trigger levels are programmable.

The TIP866-10 and -11 support RxD, TxD, RTS, CTS and GND for each of the eight RS232 channels. The TIP866-20 supports RxD+/-, TxD+/- and GND for each of the eight RS422 channels.

The baud rate is individually programmable up to 115.2kbaud for the TIP866-10 and up to 460.8kbaud for the TIP866-11 and -20. The TIP866-10 and -20 use ESD protected transceivers (up to +/-15KV according to IEC 1000-4-2).

The transition module TIP866-TM-10 provides 8 DB-25 connectors mounted in a 6U 8TE front panel. The TIP866-TM-20 provides 8 RJ45 connectors mounted in a 6U 4TE front panel. The TIP866-TM-30 provides 16 4-pin RJ connectors mounted in a 6U 4TE front panel.

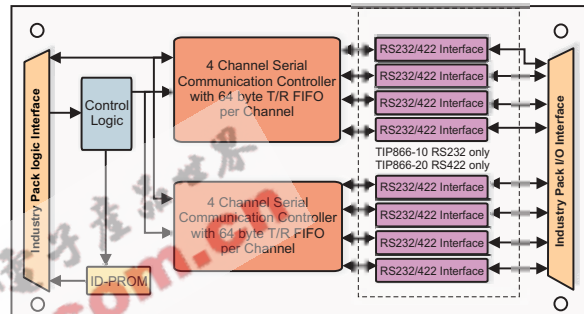


For First-Time-Buyers the engineering documentation TIP866-ED is recommended. The engineering documentation includes TIP866-DOC, schematics and data sheets.

Serial line driver software TIP866-SW-xx is available for different operating systems.

### Technical Information

- Interface according to IndustryPack specification
- Identification-PROM supports auto-configuration
- Single Size IndustryPack
- 8 channels serial interface
- Support of RxD, TxD, RTS, CTS, GND per channel for TIP866-10 and -11; support of RXD+/-, TXD+/- and GND for TIP866-20
- Programmable baud rates up to 115.2KBaud for TIP866-10 and up to 460.8KBaud for TIP866-11 and -20
- 64 byte transmit FIFO per channel
- 64 byte receive FIFO per channel
- ESD protected RS232 and RS422 interface (up to +/-15KV according to IEC 1000-4-2)



### Order Information

- |                         |                                                                              |
|-------------------------|------------------------------------------------------------------------------|
| <b>TIP866-10</b>        | 8 Channel Serial RS232 Interface                                             |
| <b>TIP866-11</b>        | 8 Channel Serial TTL Interface                                               |
| <b>TIP866-20</b>        | 8 Channel Serial RS422 Interface                                             |
| <b>TIP866-DOC</b>       | User Manual                                                                  |
| <b>TIP866-EK</b>        | Engineering kit, includes TIP866-DOC                                         |
| <b>TIP866-TM-10</b>     | Transition Module for TIP866, provides 8 DB-25 Connectors in front panel     |
| <b>TIP866-TM-10-DOC</b> | User Documentation for TIP866-TM-10                                          |
| <b>TIP866-TM-20</b>     | Transition Module for TIP866, provides 8 RJ45 connectors in front panel      |
| <b>TIP866-TM-20-DOC</b> | User Documentation for TIP866-TM-20                                          |
| <b>TIP866-TM-30</b>     | Transition Module for TIP866, provides 16 4-pin RJ connectors in front panel |
| <b>TIP866-TM-30-DOC</b> | User Documentation for TIP866-TM-30                                          |
| <b>TIP866-IO-10</b>     | Mounting Rail I/O Module with 8 DB-9                                         |
| <b>TIP866-IO-10-DOC</b> | User Documentation for TIP866-IO-10                                          |
| <b>TIP866-SW-12</b>     | OS-9 Software Support                                                        |
| <b>TIP866-SW-32</b>     | pSOS Software Support                                                        |
| <b>TIP866-SW-42</b>     | VxWorks Software Support                                                     |
| <b>TIP866-SW-62</b>     | Windows NT 4.0 Software Support                                              |
| <b>TIP866-SW-72</b>     | LynxOS Software Support                                                      |
| <b>TIP866-SW-82</b>     | LiNIX Software Support                                                       |
| <b>TIP866-SW-92</b>     | QNX 4 Software Support                                                       |
| <b>TIP866-SW-95</b>     | QNX 6 Software Support                                                       |