

W78C52D/W78C052D



8-BIT MICROCONTROLLER

Table of Contents-

| | | |
|-----|--------------------------------|----|
| 1. | GENERAL DESCRIPTION | 2 |
| 2. | FEATURES | 2 |
| 3. | PIN CONFIGURATIONS | 3 |
| 4. | PIN DESCRIPTION..... | 4 |
| 5. | FUNCTIONAL DESCRIPTION | 6 |
| 6. | ABSOLUTE MAXIMUM RATINGS | 10 |
| 7. | DC CHARACTERISTICS..... | 11 |
| 8. | AC CHARACTERISTICS | 13 |
| 9. | TIMING WAVEFORMS | 15 |
| 10. | APPLICATION CIRCUITS | 17 |
| 11. | PACKAGE DIMENSIONS..... | 19 |
| 12. | REVISION HISTORY | 21 |

EEPW.com.cn 电子产品世界



1. GENERAL DESCRIPTION

The W78C052D microcontroller supplies a wider frequency and supply voltage range than most 8-bit microcontrollers on the market. It is compatible with the industry standard 80C52 microcontroller series. The W78C052D contains four 8-bit bidirectional parallel ports, one extra 4-bit bit-addressable I/O port (Port 4) and two additional external interrupts ($\overline{\text{INT2}}$, $\overline{\text{INT3}}$), three 16-bit timer/counters, one watchdog timer and a serial port. These peripherals are supported by a eight-source, two-level interrupt capability. There are 256 bytes of RAM and an 8K byte mask ROM for application programs.

The W78C052D microcontroller has two power reduction modes, idle mode and power-down mode, both of which are software selectable. The idle mode turns off the processor clock but allows for continued peripheral operation. The power-down mode stops the crystal oscillator for minimum power consumption. The external clock can be stopped at any time and in any state without affecting the processor.

2. FEATURES

- Fully static design
- Supply voltage of 4.5V to 5.5V
- DC-40 MHz operation
- 256 bytes of on-chip scratchpad RAM
- 8K bytes of on-chip mask ROM
- 64K bytes program memory address space
- 64K bytes data memory address space
- Four 8-bit bidirectional ports
- Three 16-bit timer/counters
- One full duplex serial port
- Eight-source, two-level interrupt capability
- One extra 4-bit bit-addressable I/O port
- Two additional external interrupts $\overline{\text{INT2}}$ / $\overline{\text{INT3}}$
- Watchdog timer
- EMI reduction mode
- Built-in power management
- Code protection
- Packages:
 - Lead Free (RoHS) DIP 40: W78C052D40DL
 - Lead Free (RoHS) PLCC 44: W78C052D40PL
 - Lead Free (RoHS) PQFP 44: W78C052D40FL

W78C52D/W78C052D

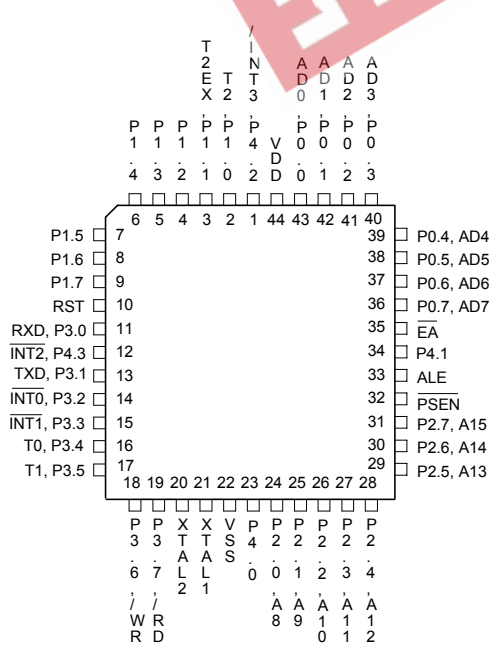


3. PIN CONFIGURATIONS

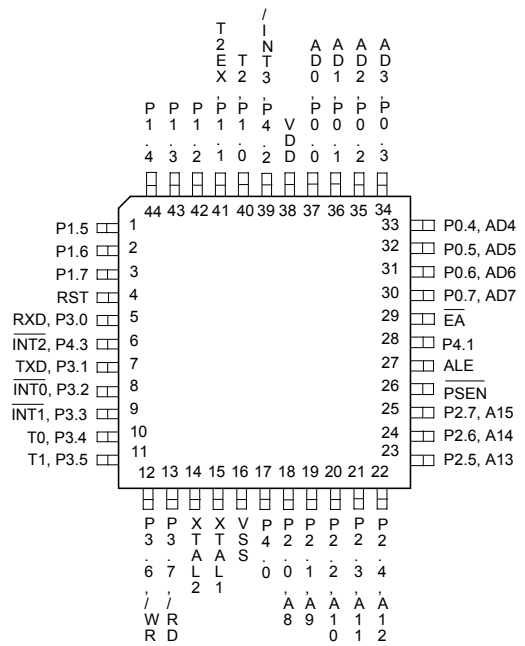
40-Pin DIP

| | | | |
|------------|----|----|-----------|
| T2, P1.0 | 1 | 40 | VDD |
| T2EX, P1.1 | 2 | 39 | P0.0, AD0 |
| P1.2 | 3 | 38 | P0.1, AD1 |
| P1.3 | 4 | 37 | P0.2, AD2 |
| P1.4 | 5 | 36 | P0.3, AD3 |
| P1.5 | 6 | 35 | P0.4, AD4 |
| P1.6 | 7 | 34 | P0.5, AD5 |
| P1.7 | 8 | 33 | P0.6, AD6 |
| RST | 9 | 32 | P0.7, AD7 |
| RXD, P3.0 | 10 | 31 | EA |
| TXD, P3.1 | 11 | 30 | ALE |
| INT0, P3.2 | 12 | 29 | PSEN |
| INT1, P3.3 | 13 | 28 | P2.7, A15 |
| T0, P3.4 | 14 | 27 | P2.6, A14 |
| T1, P3.5 | 15 | 26 | P2.5, A13 |
| WR, P3.6 | 16 | 25 | P2.4, A12 |
| RD, P3.7 | 17 | 24 | P2.3, A11 |
| XTAL2 | 18 | 23 | P2.2, A10 |
| XTAL1 | 19 | 22 | P2.1, A9 |
| VSS | 20 | 21 | P2.0, A8 |

44-Pin PLCC



44-Pin QFP





4. PIN DESCRIPTION

P0.0–P0.7

Port 0, Bits 0 through 7. Port 0 is a bidirectional I/O port. This port also provides a multiplexed low order address/data bus during accesses to external memory.

P1.0–P1.7

Port 1, Bits 0 through 7. Port 1 is a bidirectional I/O port with internal pull-ups. Pins P1.0 and P1.1 also serve as T2 (Timer 2 external input) and T2EX (Timer 2 capture/reload trigger), respectively.

P2.0–P2.7

Port 2, Bits 0 through 7. Port 2 is a bidirectional I/O port with internal pull-ups. This port also provides the upper address bits for accesses to external memory.

P3.0–P3.7

Port 3, Bits 0 through 7. Port 3 is a bidirectional I/O port with internal pull-ups. All bits have alternate functions, which are described below:

| PIN | ALTERNATE FUNCTION |
|------|---|
| P3.0 | RXD Serial Receive Data |
| P3.1 | TXD Serial Transmit Data |
| P3.2 | $\overline{\text{INT0}}$ External Interrupt 0 |
| P3.3 | $\overline{\text{INT1}}$ External Interrupt 1 |
| P3.4 | T0 Timer 0 Input |
| P3.5 | T1 Timer 1 Input |
| P3.6 | $\overline{\text{WR}}$ Data Write Strobe |
| P3.7 | $\overline{\text{RD}}$ Data Read Strobe |

P4.0–P4.3

Another bit-addressable bidirectional I/O port P4. P4.3 and P4.2 are alternative function pins. It can be used as general I/O pins or external interrupt input sources ($\overline{\text{INT2}}$ / $\overline{\text{INT3}}$).

$\overline{\text{EA}}$

External Address Input, active low. This pin forces the processor to execute out of external ROM. This pin should be kept low for all W78C31 operations.

RST

Reset Input, active high. This pin resets the processor. It must be kept high for at least two machine cycles in order to be recognized by the processor.

ALE

Address Latch Enable Output, active high. ALE is used to enable the address latch that separates the address from the data on Port 0. ALE runs at 1/6th of the oscillator frequency. A single ALE pulse is skipped during external data memory accesses. ALE goes to a high impedance state during reset with a weak pull-up.

W78C52D/W78C052D



$\overline{\text{PSEN}}$

Program Store Enable Output, active low. $\overline{\text{PSEN}}$ enables the external ROM onto the Port 0 address/data bus during fetch and MOVC operations. $\overline{\text{PSEN}}$ goes to a high impedance state during reset with a weak pull-up.

XTAL1

Crystal 1. This is the crystal oscillator input. This pin may be driven by an external clock.

XTAL2

Crystal 2. This is the crystal oscillator output. It is the inversion of XTAL1.

VSS, VDD

Power Supplies. These are the chip ground and positive supplies.

EEPW 电子产品世界
.com.cn



5. FUNCTIONAL DESCRIPTION

The W78C052D architecture consists of a core controller surrounded by various registers, five general purpose I/O ports, 256 bytes of RAM, three timer/counters, one watchdog timer and a serial port. The processor supports 111 different opcodes and references both a 64K program address space and a 64 K data storage space.

Timers 0, 1, and 2

Timers 0, 1, and 2 each consist of two 8-bit data registers. These are called TL0 and TH0 for Timer 0, TL1 and TH1 for Timer 1, and TL2 and TH2 for Timer 2. The TCON and TMOD registers provide control functions for timers 0, 1. The T2CON register provides control functions for Timer 2. RCAP2H and RCAP2L are used as reload/capture registers for Timer 2. The operations of Timer 0 and Timer 1 are the same as in the W78C51. Timer 2 is a special feature of the W78C052D: it is a 16-bit timer/counter that is configured and controlled by the T2CON register. Like Timers 0 and 1, Timer 2 can operate as either an external event counter or as an internal timer, depending on the setting of bit C/T2 in T2CON. Timer 2 has three operating modes: capture, auto-reload, and baud rate generator. The clock speed at capture or auto-reload mode is the same as that of Timers 0 and 1.

Clock

The W78C052D is designed to be used with either a crystal oscillator or an external clock. Internally, the clock is divided by two before it is used. This makes the W78C052D relatively insensitive to duty cycle variations in the clock.

Crystal Oscillator

The W78C052D incorporates a built-in crystal oscillator. To make the oscillator work, a crystal must be connected across pins XTAL1 and XTAL2. In addition, a load capacitor must be connected from each pin to ground, and a resistor must also be connected from XTAL1 to XTAL2 to provide a DC bias when the crystal frequency is above 24 MHz.

External Clock

An external clock should be connected to pin XTAL1. Pin XTAL2 should be left unconnected. The XTAL1 input is a CMOS-type input, as required by the crystal oscillator. As a result, the external clock signal should have an input one level of greater than 3.5 volts when $V_{DD} = 5$ volts.

Power Management

Idle Mode

The idle mode is entered by setting the IDL bit in the PCON register. In the idle mode, the internal clock to the processor is stopped. The peripherals and the interrupt logic continue to be clocked. The processor will exit idle mode when either an interrupt or a reset occurs.

Power-down Mode

When the PD bit of the PCON register is set, the processor enters the power-down mode. In this mode all of the clocks, including the oscillator are stopped. The only way to exit power-down mode is by a reset.

Reset

The external RESET signal is sampled at S5P2. To take effect, it must be held high for at least two machine cycles while the oscillator is running. An internal trigger circuit in the reset line is used to deglitch the reset line when the W78C052D is used with an external RC network. The reset logic also has a special glitch removal circuit that ignores glitches on the reset line. During reset, the ports are initialized to FFH, the stack pointer to 07H, PCON (with the exception of bit 4) to 00H, and all of the other SFR registers except SBUF to 00H. SBUF is not reset.

W78C52D/W78C052D



New Defined Peripheral

In order to be more suitable for I/O, an extra 4-bit bit-addressable port P4 and two external interrupts $\overline{INT2}$, $\overline{INT3}$ have been added to either the PLCC or QFP package. And description follows:

1. $\overline{INT2}$ / $\overline{INT3}$

Two additional external interrupts, $\overline{INT2}$ and $\overline{INT3}$, whose functions are similar to those of external interrupt 0 and 1 in the standard 80C52. The functions/status of these interrupts are determined/shown by the bits in the XICON (External Interrupt Control) register. The XICON register is bit-addressable but is not a standard register in the standard 80C52. Its address is at 0C0H. To set/clear bits in the XICON register, one can use the "SETB (/CLR) bit" instruction. For example, "SETB 0C2H" sets the EX2 bit of XICON.

***XICON - external interrupt control (C0H)

| | | | | | | | |
|-----|-----|-----|-----|-----|-----|-----|-----|
| PX3 | EX3 | IE3 | IT3 | PX2 | EX2 | IE2 | IT2 |
|-----|-----|-----|-----|-----|-----|-----|-----|

PX3: External interrupt 3 priority high if set

EX3: External interrupt 3 enable if set

IE3: If IT3 = 1, IE3 is set/cleared automatically by hardware when interrupt is detected/serviced

IT3: External interrupt 3 is falling-edge/low-level triggered when this bit is set/cleared by software

PX2: External interrupt 2 priority high if set

EX2: External interrupt 2 enable if set

IE2: If IT2 = 1, IE2 is set/cleared automatically by hardware when interrupt is detected/serviced

IT2: External interrupt 2 is falling-edge/low-level triggered when this bit is set/cleared by software

Eight-source interrupt informations:

| INTERRUPT SOURCE | VECTOR ADDRESS | POLLING SEQUENCE WITHIN PRIORITY LEVEL | ENABLE REQUIRED SETTINGS | INTERRUPT TYPE EDGE/LEVEL |
|----------------------|----------------|--|--------------------------|---------------------------|
| External Interrupt 0 | 03H | 0 (highest) | IE.0 | TCON.0 |
| Timer/Counter 0 | 0BH | 1 | IE.1 | - |
| External Interrupt 1 | 13H | 2 | IE.2 | TCON.2 |
| Timer/Counter 1 | 1BH | 3 | IE.3 | - |
| Serial Port | 23H | 4 | IE.4 | - |
| Timer/Counter 2 | 2BH | 5 | IE.5 | - |
| External Interrupt 2 | 33H | 6 | XICON.2 | XICON.0 |
| External Interrupt 3 | 3BH | 7 (lowest) | XICON.6 | XICON.3 |



2. PORT4

Another bit-addressable port P4 is also available and only 4 bits (P4<3:0>) can be used. This port address is located at 0D8H with the same function as that of port P1, except the P4.3 and P4.2 are alternative function pins. It can be used as general I/O pins or external interrupt input sources (INT $\bar{2}$ / INT $\bar{3}$).

```

Example: P4      REG  0D8H
          MOV   P4, #0AH    ; Output data "A" through P4.0–P4.3.
          MOV   A, P4       ; Read P4 status to Accumulator.
          SETB  P4.0        ; Set bit P4.0
          CLR   P4.1        ; Clear bit P4.1
    
```

Watchdog Timer

The Watchdog timer is a free-running timer which can be programmed by the user to serve as a system monitor, a time-base generator or an event timer. It is basically a set of dividers that divide the system clock. The divider output is selectable and determines the time-out interval. When the time-out occurs a system reset can also be caused if it is enabled. The main use of the Watchdog timer is as a system monitor. This is important in real-time control applications. In case of power glitches or electro-magnetic interference, the processor may begin to execute errant code. If this is left unchecked the entire system may crash. The watchdog time-out selection will result in different time-out values depending on the clock speed. The Watchdog timer will be disabled on reset. In general, software should restart the Watchdog timer to put it into a known state. The control bits that support the Watchdog timer are discussed below.

Watchdog Timer Control Register

| | | | | | | | | |
|------|------|------|---|---|-----|-----|-----|---|
| Bit: | 7 | 6 | 5 | 4 | 3 | 2 | 1 | 0 |
| ENW | CLRW | WIDL | - | - | PS2 | PS1 | PS0 | |

Mnemonic: WDTC Address: 8FH

ENW : Enable watch-dog if set.

CLRW: Clear watch-dog timer and prescaler if set. This flag will be cleared automatically

WIDL : If this bit is set, watch-dog is enabled under IDLE mode. If cleared, watch-dog is disabled under IDLE mode. Default is cleared.

PS2, PS1, PS0: Watch-dog prescaler timer select. Prescaler is selected when set PS2~0 as follows:

| PS2 | PS1 | PS0 | PRESCALER SELECT |
|-----|-----|-----|------------------|
| 0 | 0 | 0 | 2 |
| 0 | 1 | 0 | 4 |
| 0 | 0 | 1 | 8 |
| 0 | 1 | 1 | 16 |
| 1 | 0 | 0 | 32 |
| 1 | 0 | 1 | 64 |
| 1 | 1 | 0 | 128 |
| 1 | 1 | 1 | 256 |

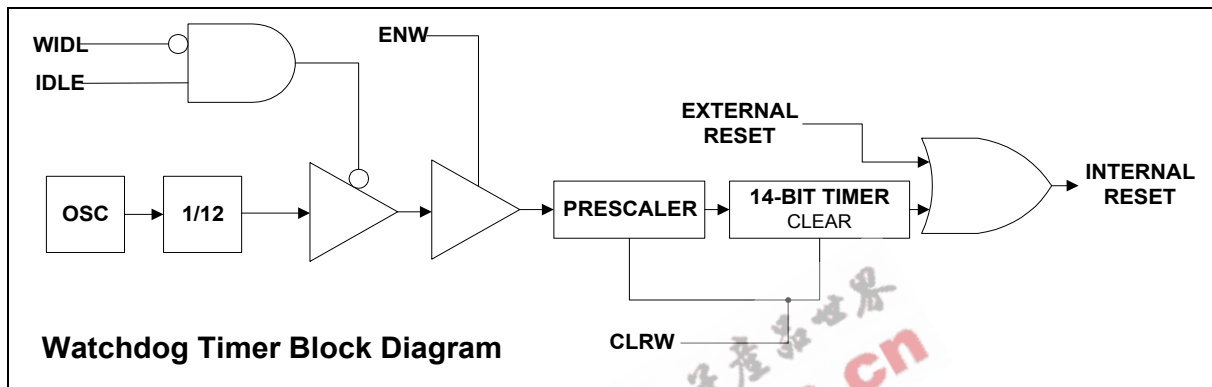
The time-out period is obtained using the following formula :

W78C52D/W78C052D



$$\frac{1}{\text{OSC}} \times 2^{14} \times \text{PRESCALER} \times 1000 \times 12 \text{ mS}$$

Before Watchdog time-out occurs, the program must clear the 14-bit timer by writing 1 to WDTC.6 (CLRW). After 1 is written to this bit, the 14-bit timer, prescaler and this bit will be reset on the next instruction cycle. The Watchdog timer is cleared on reset.



Typical Watchdog time-out period when OSC = 20 MHz

| PS2 | PS1 | PS0 | WATCHDOG TIME-OUT PERIOD |
|-----|-----|-----|--------------------------|
| 0 | 0 | 0 | 19.66 mS |
| 0 | 1 | 0 | 39.32 mS |
| 0 | 0 | 1 | 78.64 mS |
| 0 | 1 | 1 | 157.28 mS |
| 1 | 0 | 0 | 314.57 mS |
| 1 | 0 | 1 | 629.14 mS |
| 1 | 1 | 0 | 1.25 S |
| 1 | 1 | 1 | 2.50 S |

Reduce EMI Emission

Because of the on-chip ROM, when a program is running in internal ROM space, the ALE will be unused. The transition of ALE will cause noise, so it can be turned off to reduce the EMI emission if it is not needed. Turning off the ALE signal transition only requires setting the bit 0 of the AUXR SFR, which is located at 08Eh. When ALE is turned off, it will be reactivated when the program accesses external ROM/RAM data or jumps to execute an external ROM code. The ALE signal will turn off again after it has been completely accessed or the program returns to internal ROM code space.

AUXR - Auxiliary Register

| | | | | | | | | |
|------|---|---|---|---|---|---|---|----|
| Bit: | 7 | 6 | 5 | 4 | 3 | 2 | 1 | 0 |
| | - | - | - | - | - | - | - | AO |

Mnemonic: AUXR

Address: 8Eh

AO: Turn off ALE signal.

W78C52D/W78C052D



6. ABSOLUTE MAXIMUM RATINGS

| PARAMETER | SYMBOL | MIN. | MAX. | UNIT |
|-----------------------|---------|----------|----------|------|
| DC Power Supply | VCC-VSS | -0.3 | +7.0 | V |
| Input Voltage | VIN | VSS -0.3 | VCC +0.3 | V |
| Operating Temperature | TA | 0 | 70 | °C |
| Storage Temperature | TST | -55 | +150 | °C |

Note: Exposure to conditions beyond those listed under Absolute Maximum Ratings may adversely affect the life and reliability of the device.

EEPW 电子产品世界
.com.cn

W78C52D/W78C052D



7. DC CHARACTERISTICS

V_{SS} = 0V ; T_A = 25° C; unless otherwise specified.

| PARAMETER | SYM. | SPECIFICATION | | | TEST CONDITIONS |
|---|-------------------|---------------|-------------------------|------|---|
| | | MIN. | MAX. | UNIT | |
| Operating Voltage | V _{DD} | 4.5 | 5.5 | V | |
| Operating Current | I _{DD} | - | 20 | mA | V _{DD} = 5.5V, 20 MHz, no load |
| Idle Current | I _{IDLE} | - | 6 | mA | V _{DD} = 5.5V, 20 MHz, no load |
| Power Down Current | I _{PWDN} | - | 50 | μA | V _{DD} = 5.5V, no load |
| Input | | | | | |
| Input Current P1, P2, P3, P4 | I _{IN} | -50 | +10 | μA | V _{DD} = 5.5V V _{IN} = 0V or V _{DD} |
| Input Leakage Current P0, \overline{EA} | I _{LK} | -10 | +10 | μA | V _{DD} = 5.5V V _{SS} < V _{IN} < V _{DD} |
| Input Current RST | I _{IN2} | -10 | +300 | μA | V _{DD} = 5.5V 0 < V _{IN} < V _{DD} |
| Logic 1-to-0 Transition Current P1, P2, P3, P4 | I _{TL} | -500 | - | μA | V _{DD} = 5.5V V _{IN} = 2V |
| Input Low Voltage RST | V _{IL2} | 0 | 0.8 | V | V _{DD} = 4.5V |
| Input Low Voltage P1, P2, P3, P4 | V _{IL1} | 0 | 0.8 | V | V _{DD} = 4.5V |
| Input Low Voltage XTAL1[*4] | V _{IL3} | 0 | 0.8 | V | V _{DD} = 4.5V |
| Input High Voltage P1, P2, P3, P4 | V _{IH1} | 2.4 | V _{DD} +0.2 | V | V _{DD} = 5.5V |
| Input High Voltage RST | V _{IH2} | 3.5 | V _{DD} +0.2 | V | V _{DD} = 5.5V |
| Input High Voltage XTAL1[*4] | V _{IH3} | 3.5 | V _{DD} +0.2 | V | V _{DD} = 5.5V |

W78C52D/W78C052D



DC Characteristics, continued

| PARAMETER | SYM. | SPECIFICATION | | | TEST CONDITIONS |
|---|------|---------------|------|---------|--|
| | | MIN. | MAX. | UNIT | |
| Output | | | | | |
| Output Low Voltage P1, P2, P3, P4 | VOL1 | - | 0.45 | V | V _{DD} = 4.5V I _{OL} = +2 mA |
| Output Low Voltage P0, ALE, $\overline{\text{PSEN}}$ [*4] | VOL2 | - | 0.45 | V | V _{DD} = 4.5V I _{OL} = +4 mA |
| Sink Current P1, P2, P3, P4 | ISK1 | 4 | 8 | mA | V _{DD} = 4.5V V _{in} = 0.45V |
| Sink Current P0, ALE, $\overline{\text{PSEN}}$ | ISK2 | 8 | 16 | mA | V _{DD} = 4.5V V _{in} = 0.45V |
| Output High Voltage P1, P2, P3, P4 | VOH1 | 2.4 | - | V | V _{DD} = 4.5V I _{OH} = -100 μ A |
| Output High Voltage P0, ALE, $\overline{\text{PSEN}}$ [*4] | VOH2 | 2.4 | - | V | V _{DD} = 4.5V I _{OH} = -400 μ A |
| Source Current P1, P2, P3, P4 | ISR1 | -100 | -250 | μ A | V _{DD} = 4.5V V _{in} = 2.4V |
| Source Current P0, ALE, $\overline{\text{PSEN}}$ | ISR2 | -8 | -14 | mA | V _{DD} = 4.5V V _{in} = 2.4V |

Notes:

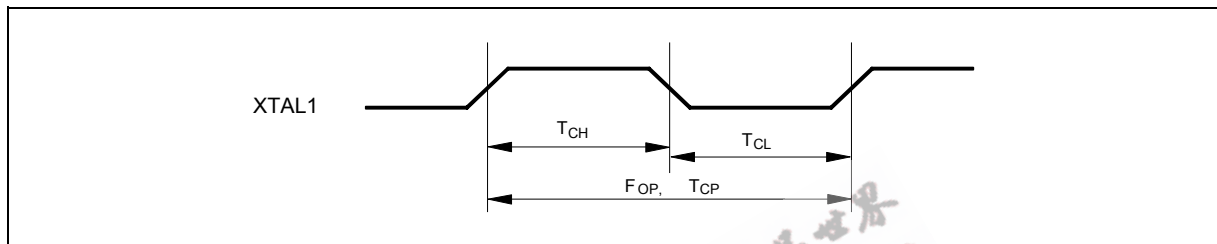
- *1. RST pin has an internal pull-down.
- *2. Pins of P1 and P3 can source a transition current when they are being externally driven from 1 to 0.
- *3. RST is a Schmitt trigger input and XTAL1 is a CMOS input.
- *4. P0, P2, ALE and $\overline{\text{PSEN}}$ are tested in the external access mode.



8. AC CHARACTERISTICS

The AC specifications are a function of the particular process used to manufacture the part, the ratings of the I/O buffers, the capacitive load, and the internal routing capacitance. Most of the specifications can be expressed in terms of multiple input clock periods (TCP), and actual parts will usually experience less than a ± 20 nS variation. The numbers below represent the performance expected from a 0.5 micron CMOS process when using 2 and 4 mA output buffers.

Clock Input Waveform



| PARAMETER | SYMBOL | MIN. | TYP. | MAX. | UNIT | NOTES |
|-----------------|--------|------|------|------|------|-------|
| Operating Speed | FOP | 0 | - | 40 | MHz | 1 |
| Clock Period | TCP | 25 | - | - | nS | 2 |
| Clock High | TCH | 10 | - | - | nS | 3 |
| Clock Low | TCL | 10 | - | - | nS | 3 |

Notes:

1. The clock may be stopped indefinitely in either state.
2. The TCP specification is used as a reference in other specifications.
3. There are no duty cycle requirements on the XTAL1 input.

Program Fetch Cycle

| PARAMETER | SYMBOL | MIN. | TYP. | MAX. | UNIT | NOTES |
|--|--------|-----------------|-------|-------|------|-------|
| Address Valid to ALE Low | TAAS | 1 TCP- Δ | - | - | nS | 4 |
| Address Hold from ALE Low | TAAH | 1 TCP- Δ | - | - | nS | 1, 4 |
| ALE Low to $\overline{\text{PSEN}}$ Low | TAPL | 1 TCP- Δ | - | - | nS | 4 |
| $\overline{\text{PSEN}}$ Low to Data Valid | TPDA | - | - | 2 TCP | nS | 2 |
| Data Hold after $\overline{\text{PSEN}}$ High | TPDH | 0 | - | 1 TCP | nS | 3 |
| Data Float after $\overline{\text{PSEN}}$ High | TPDZ | 0 | - | 1 TCP | nS | |
| ALE Pulse Width | TALW | 2 TCP- Δ | 2 TCP | - | nS | 4 |
| $\overline{\text{PSEN}}$ Pulse Width | TPSW | 3 TCP- Δ | 3 TCP | - | nS | 4 |

Notes:

1. P0.0–P0.7, P2.0–P2.7 remain stable throughout entire memory cycle.
2. Memory access time is 3 TCP.
3. Data have been latched internally prior to $\overline{\text{PSEN}}$ going high.
4. " Δ " (due to buffer driving delay and wire loading) is 20 nS.

W78C52D/W78C052D



Data Read Cycle

| PARAMETER | SYMBOL | MIN. | TYP. | MAX. | UNIT | NOTES |
|--------------------------------------|--------|-------------------|------------|-------------------|------|-------|
| ALE Low to \overline{RD} Low | TDAR | 3 $T_{CP}-\Delta$ | - | 3 $T_{CP}+\Delta$ | nS | 1, 2 |
| \overline{RD} Low to Data Valid | TDDA | - | - | 4 T_{CP} | nS | 1 |
| Data Hold from \overline{RD} High | TDDH | 0 | - | 2 T_{CP} | nS | |
| Data Float from \overline{RD} High | TDDZ | 0 | - | 2 T_{CP} | nS | |
| \overline{RD} Pulse Width | TDRD | 6 $T_{CP}-\Delta$ | 6 T_{CP} | - | nS | 2 |

Notes:

1. Data memory access time is 8 T_{CP} .
2. " Δ " (due to buffer driving delay and wire loading) is 20 nS.

Data Write Cycle

| PARAMETER | SYMBOL | MIN. | TYP. | MAX. | UNIT |
|-------------------------------------|--------|-------------------|------------|-------------------|------|
| ALE Low to \overline{WR} Low | TDAW | 3 $T_{CP}-\Delta$ | - | 3 $T_{CP}+\Delta$ | nS |
| Data Valid to \overline{WR} Low | TDAD | 1 $T_{CP}-\Delta$ | - | - | nS |
| Data Hold from \overline{WR} High | TDWD | 1 $T_{CP}-\Delta$ | - | - | nS |
| \overline{WR} Pulse Width | TDWR | 6 $T_{CP}-\Delta$ | 6 T_{CP} | - | nS |

Note: " Δ " (due to buffer driving delay and wire loading) is 20 nS.

Port Access Cycle

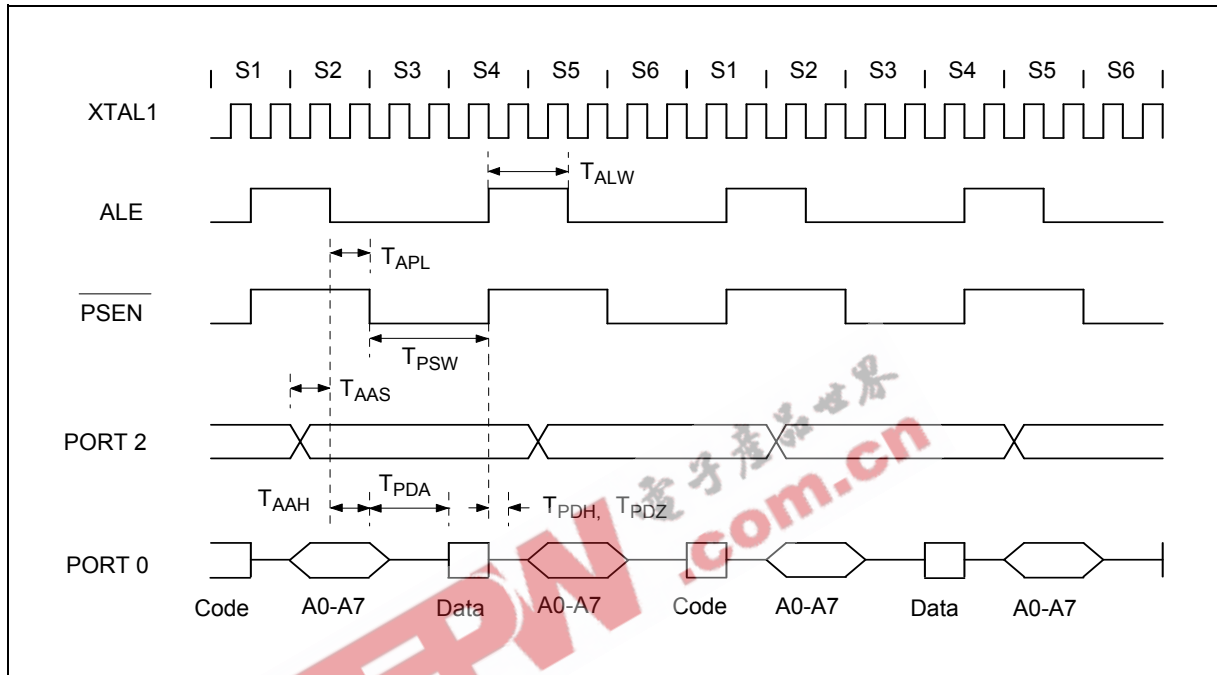
| PARAMETER | SYMBOL | MIN. | TYP. | MAX. | UNIT |
|------------------------------|--------|------------|------|------|------|
| Port Input Setup to ALE Low | TPDS | 1 T_{CP} | - | - | nS |
| Port Input Hold from ALE Low | TPDH | 0 | - | - | nS |
| Port Output to ALE | TPDA | 1 T_{CP} | - | - | nS |

Note: Ports are read during S5P2, and output data becomes available at the end of S6P2. The timing data are referenced to ALE, since it provides a convenient reference.

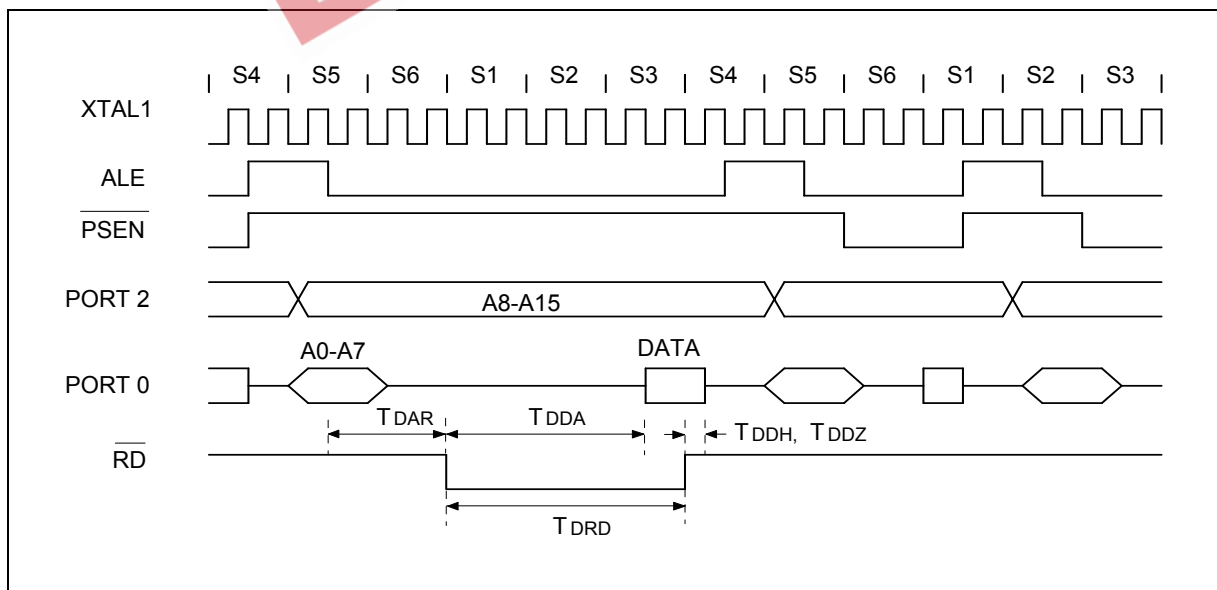


9. TIMING WAVEFORMS

Program Fetch Cycle

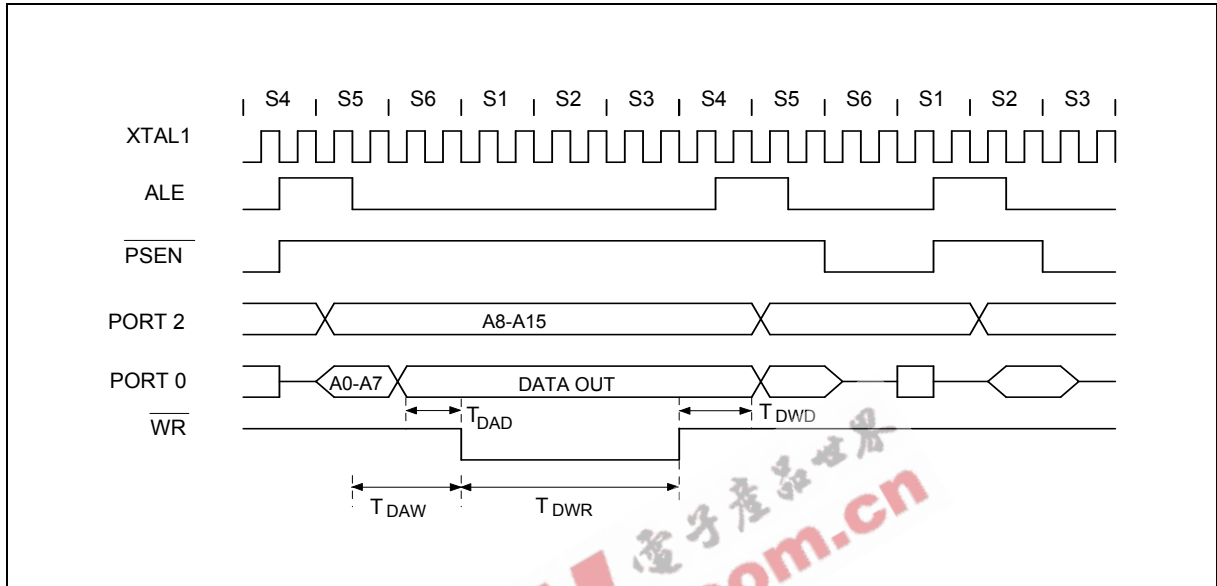


Data Read Cycle

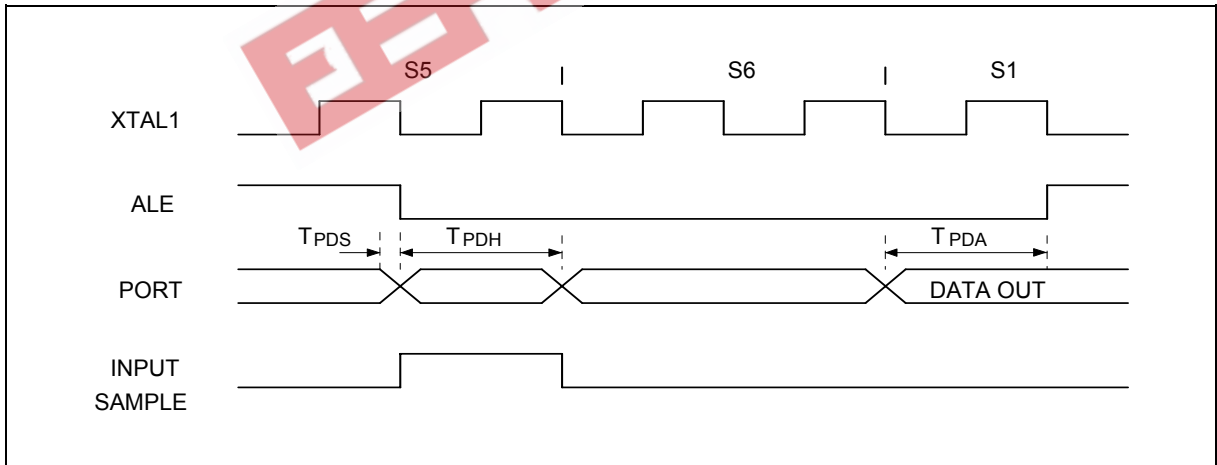




Data Write Cycle



Port Access Cycle



W78C52D/W78C052D



Expanded External Data Memory and Oscillator

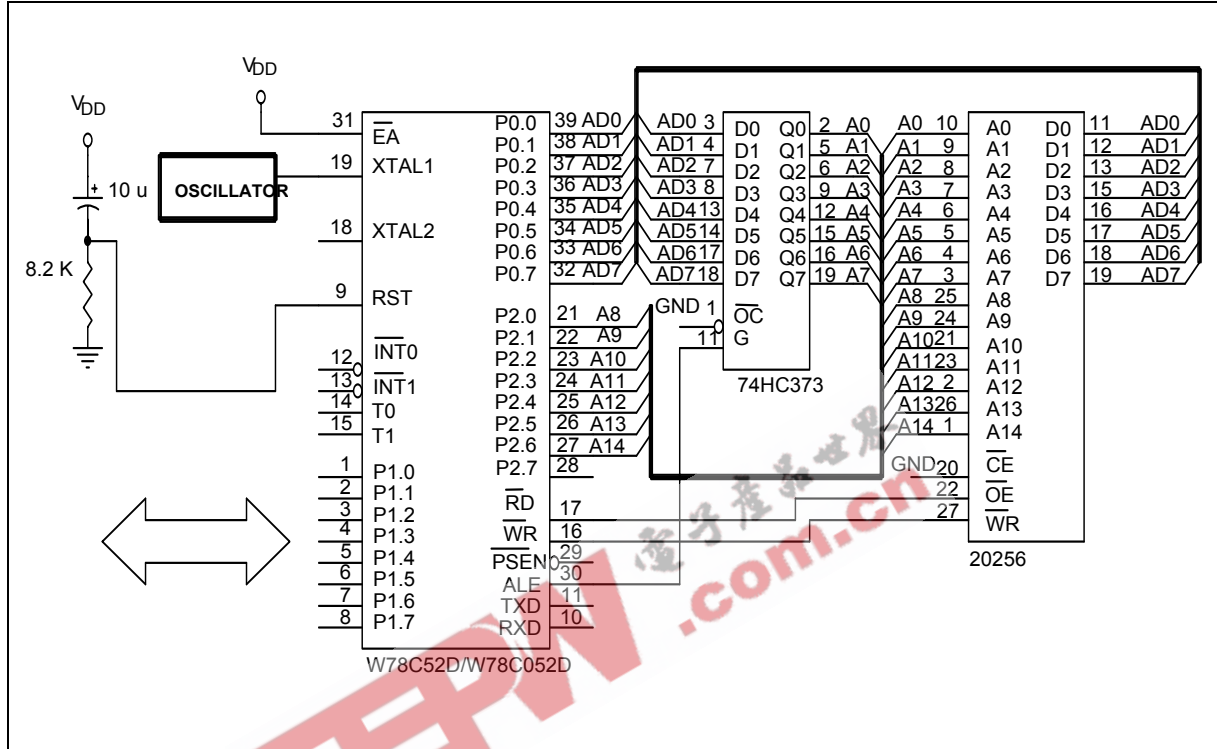


Figure B

W78C52D/W78C052D



11. PACKAGE DIMENSIONS

40-pin DIP

| Symbol | Dimension in inch | | | Dimension in mm | | |
|----------------|-------------------|-------|-------|-----------------|-------|--------|
| | Min. | Nom. | Max. | Min. | Nom. | Max. |
| A | — | — | 0.210 | — | — | 5.334 |
| A ₁ | 0.010 | — | — | 0.254 | — | — |
| A ₂ | 0.150 | 0.155 | 0.160 | 3.81 | 3.937 | 4.064 |
| B | 0.016 | 0.018 | 0.022 | 0.406 | 0.457 | 0.559 |
| B ₁ | 0.048 | 0.050 | 0.054 | 1.219 | 1.27 | 1.372 |
| C | 0.008 | 0.010 | 0.014 | 0.203 | 0.254 | 0.356 |
| D | — | 2.055 | 2.070 | — | 52.20 | 52.58 |
| E | 0.590 | 0.600 | 0.610 | 14.986 | 15.24 | 15.494 |
| E ₁ | 0.540 | 0.545 | 0.550 | 13.72 | 13.84 | 13.97 |
| e ₁ | 0.090 | 0.100 | 0.110 | 2.286 | 2.54 | 2.794 |
| L | 0.120 | 0.130 | 0.140 | 3.048 | 3.302 | 3.556 |
| a | 0 | 0 | 15 | 0 | — | 15 |
| e _A | 0.630 | 0.650 | 0.670 | 16.00 | 16.51 | 17.01 |
| S | — | — | 0.090 | — | — | 2.286 |

Notes:

1. Dimension D Max. & S include mold flash or tie bar burrs.
2. Dimension E₁ does not include interlead flash.
3. Dimension D & E₁ include mold mismatch and are determined at the mold parting line.
4. Dimension B₁ does not include dambar protrusion/intrusion.
5. Controlling dimension: Inches.
6. General appearance spec. should be based on final visual inspection spec.

44-pin PLCC

| Symbol | Dimension in inch | | | Dimension in mm | | |
|----------------|-------------------|-------|-------|-----------------|-------|-------|
| | Min. | Nom. | Max. | Min. | Nom. | Max. |
| A | — | — | 0.185 | — | — | 4.699 |
| A ₁ | 0.020 | — | — | 0.508 | — | — |
| A ₂ | 0.145 | 0.150 | 0.155 | 3.683 | 3.81 | 3.937 |
| b ₁ | 0.026 | 0.028 | 0.032 | 0.66 | 0.711 | 0.813 |
| b | 0.016 | 0.018 | 0.022 | 0.406 | 0.457 | 0.559 |
| c | 0.008 | 0.010 | 0.014 | 0.203 | 0.254 | 0.356 |
| D | 0.648 | 0.653 | 0.658 | 16.46 | 16.59 | 16.71 |
| E | 0.648 | 0.653 | 0.658 | 16.46 | 16.59 | 16.71 |
| Ⓢ | 0.050 | BSC | — | 1.27 | BSC | — |
| G _D | 0.590 | 0.610 | 0.630 | 14.99 | 15.49 | 16.00 |
| G _E | 0.590 | 0.610 | 0.630 | 14.99 | 15.49 | 16.00 |
| H _D | 0.680 | 0.690 | 0.700 | 17.27 | 17.53 | 17.78 |
| H _E | 0.680 | 0.690 | 0.700 | 17.27 | 17.53 | 17.78 |
| L | 0.090 | 0.100 | 0.110 | 2.296 | 2.54 | 2.794 |
| y | — | — | 0.004 | — | — | 0.10 |

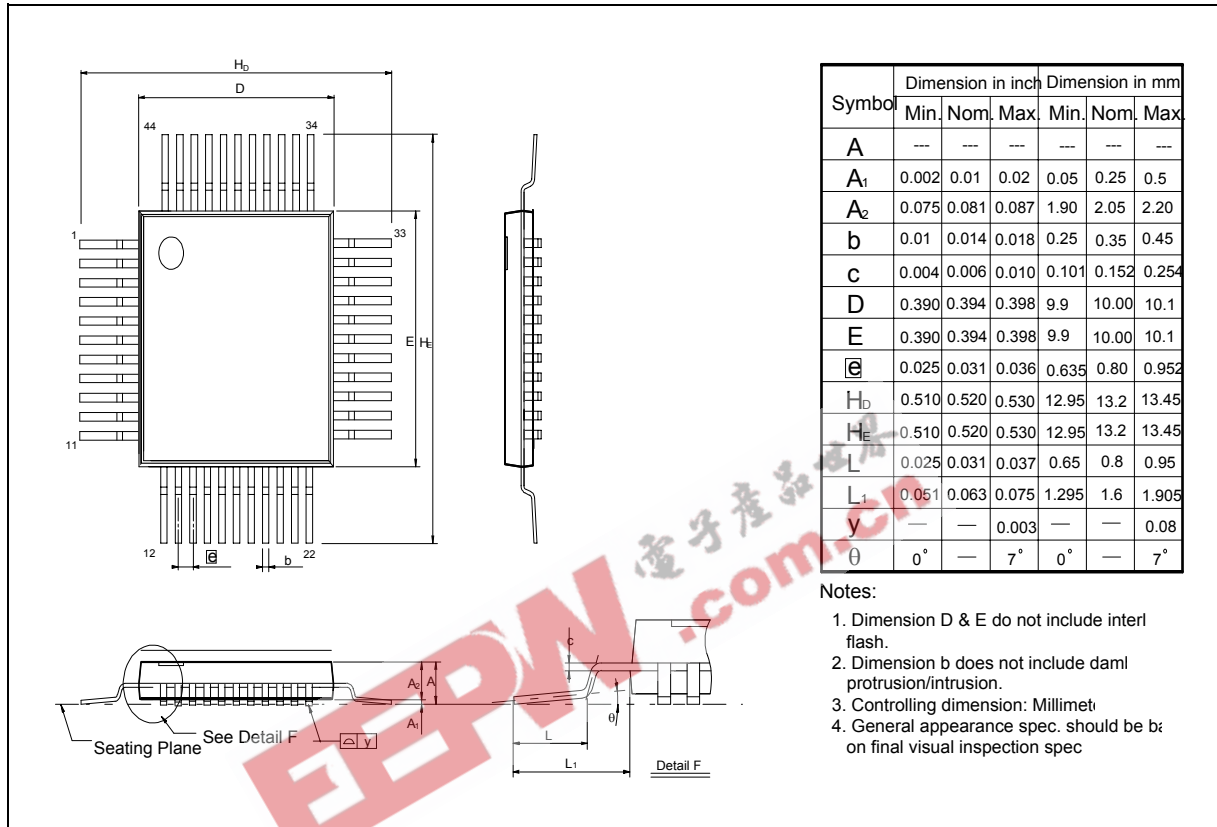
Notes:

1. Dimension D & E do not include interlead flash.
2. Dimension b₁ does not include dambar protrusion/intrusion.
3. Controlling dimension: Inches
4. General appearance spec. should be based on final visual inspection spec.

W78C52D/W78C052D



44-pin QFP





12. REVISION HISTORY

| VERSION | DATE | PAGE | DESCRIPTION |
|---------|-------------------|------|---|
| A1 | December 1998 | - | Initial Issued |
| A2 | April 20, 2005 | 19 | Add Important Notice |
| A3 | December 27, 2005 | - | Remove "Preliminary" from sheet header |
| | | 2 | Add lead-free(RoHS) parts, Remove 24MHz parts |
| | | 13 | Amend 24MHz as 40MHz |
| A4 | October 3, 2006 | | Remove block diagram |
| A5 | December 4, 2006 | 2 | Remove all Leaded package parts |

Important Notice

Winbond products are not designed, intended, authorized or warranted for use as components in systems or equipment intended for surgical implantation, atomic energy control instruments, airplane or spaceship instruments, transportation instruments, traffic signal instruments, combustion control instruments, or for other applications intended to support or sustain life. Further more, Winbond products are not intended for applications wherein failure of Winbond products could result or lead to a situation wherein personal injury, death or severe property or environmental damage could occur.

Winbond customers using or selling these products for use in such applications do so at their own risk and agree to fully indemnify Winbond for any damages resulting from such improper use or sales.



Headquarters
No. 4, Creation Rd. III,
Science-Based Industrial Park,
Hsinchu, Taiwan
TEL: 886-3-5770066
FAX: 886-3-5665577
<http://www.winbond.com.tw/>

Taipei Office
9F, No.480, Rueiguang Rd.,
Neihu District, Taipei, 114,
Taiwan, R.O.C.
TEL: 886-2-8177-7168
FAX: 886-2-8751-3579

Winbond Electronics Corporation America
2727 North First Street, San Jose,
CA 95134, U.S.A.
TEL: 1-408-9436666
FAX: 1-408-5441798

Winbond Electronics Corporation Japan
7F Daini-ueno BLDG, 3-7-18
Shinyokohama Kohoku-ku,
Yokohama, 222-0033
TEL: 81-45-4781881
FAX: 81-45-4781800

Winbond Electronics (Shanghai) Ltd.
27F, 2299 Yan An W. Rd. Shanghai,
200336 China
TEL: 86-21-62365999
FAX: 86-21-62365998

Winbond Electronics (H.K.) Ltd.
Unit 9-15, 22F, Millennium City,
No. 378 Kwun Tong Rd.,
Kowloon, Hong Kong
TEL: 852-27513100
FAX: 852-27552064

*Please note that all data and specifications are subject to change without notice.
All the trademarks of products and companies mentioned in this datasheet belong to their respective owners.*