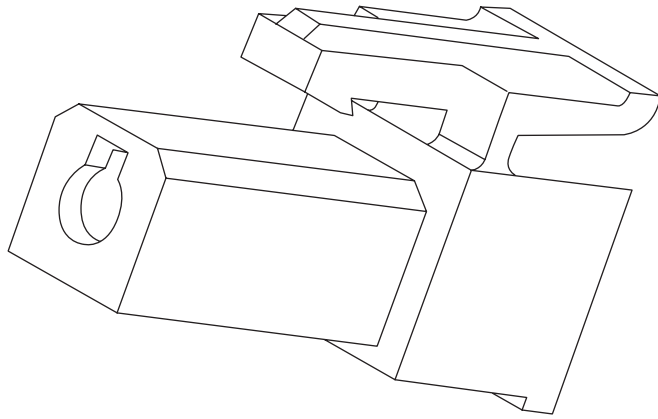


# 8.00mm (0.315") PITCH CONNECTOR

Wire-to-Board  
Housing

YDH236 Series

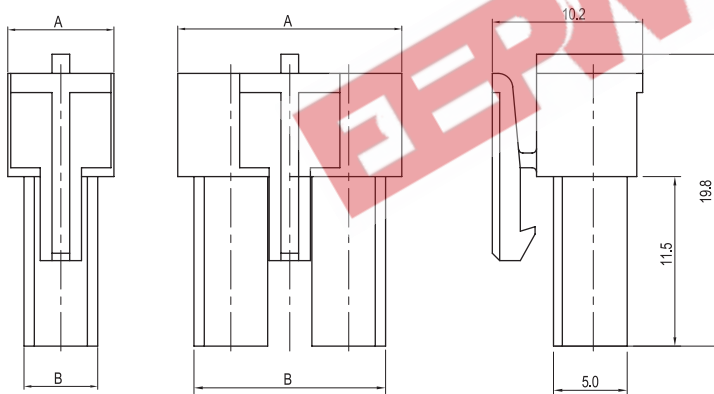


## Material

I/NO	DESCRIPTION	TITLE	MATERIAL
1	HOUSING	YDH236	PA66, UL94 V Grade

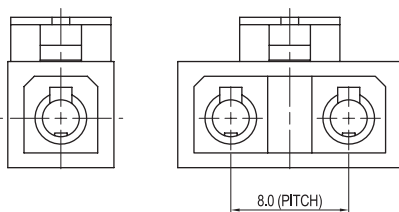
## Available Pin

PARTS NO.	DIM. A	DIM. B
YDH236-01P	7.2	5.0
YDH236-02P	15.2	13.0
YDH236-03P	23.2	21.0
YDH236-04P	31.2	29.0



1≡ (1P)

2≡ (2P)

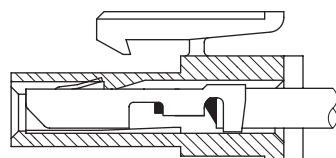


1≡ (1P)

2≡ (2P)

## Specification

ITEM	SPEC
Voltage Rating	AC/DC 250V
Current Rating	AC/DC 7A
Operating Temperature	-25°C ~ +85°C
Contact Resistance	30mΩ MAX
Withstanding Voltage	AC1500V/1min
Insulation Resistance	1000MΩ MIN
Applicable Wire	AWG #16~#24
Applicable P.C.B	-
Applicable FPC/FFC	-
Solder Height	-
Crimp Tensile Strength	-
UL FILE NO	E108706



TERMINAL ASSEMBLY DRAWING



AWG : #16 ~ #24

Application Terminal : YDT236(Side Type) (225 page)  
YDT236(End Type) (226 page)