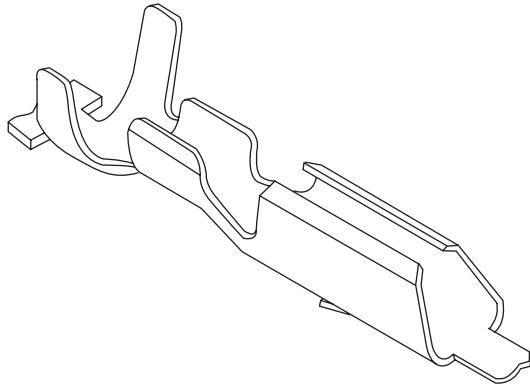


8.0mm (0.315") PITCH CONNECTOR

Wire-to-Board
Crimp Terminal

YDT236
End Type

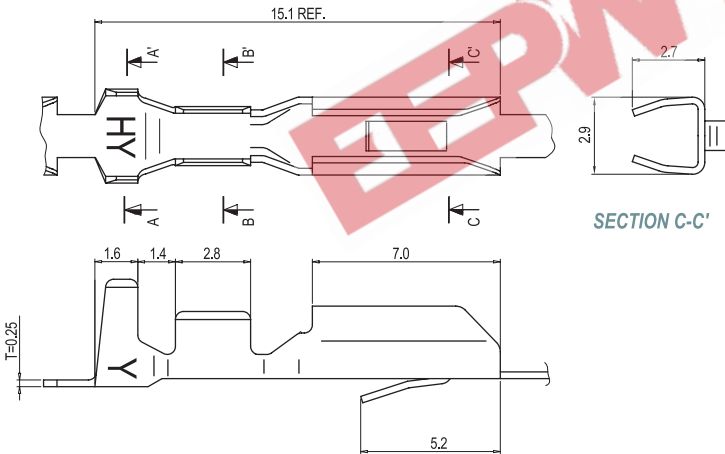


Material

| I/NO | DESCRIPTION | TITLE | AWG | MATERIAL | FINISH |
|------|-------------|--|-------------------------------|----------|------------|
| 1 | TERMINAL | YDT236-SEB YDT236-MEB YDT236-LEB | #20~#24 #18~#22 #16~#18 | Brass | Tin-Plated |

Section Barrel

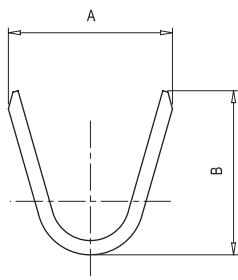
| PARTS NO. | A | B | C | D |
|-----------|-----|-----|-----|-----|
| YDH236SEB | 4.0 | 3.1 | 1.9 | 2.2 |
| YDH236MEB | 4.7 | 4.0 | 2.4 | 2.7 |
| YDH236LEB | 5.0 | 5.2 | 2.3 | 2.7 |



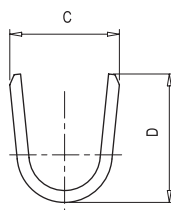
SECTION C-C'

Specification

| ITEM | SPEC |
|------------------------|---|
| Voltage Rating | AC/DC 250V |
| Current Rating | AC/DC 7A |
| Operating Temperature | -25℃~+85℃ |
| Contact Resistance | 30mΩ MAX |
| Withstanding Voltage | AC1500V/1min |
| Insulation Resistance | 1000MΩ MIN |
| Applicable Wire | AWG #16~#24 |
| Applicable P.C.B | - |
| Applicable FPC/FFC | - |
| Solder Height | - |
| Crimp Tensile Strength | L-TYPE : AWG #16~#20 M-TYPE : AWG #18~#22 S-TYPE : AWG #20~#24 AWG #16 : 4.5kgfMIN AWG #18 : 4.0kgfMIN AWG #20 : 2.5kgfMIN AWG #22 : 3.0kgfMIN AWG #24 : 2.5kgfMIN |
| UL FILE NO | - |



SECTION A-A'



SECTION B-B'