

# 8.00mm (0.315") PITCH CONNECTOR

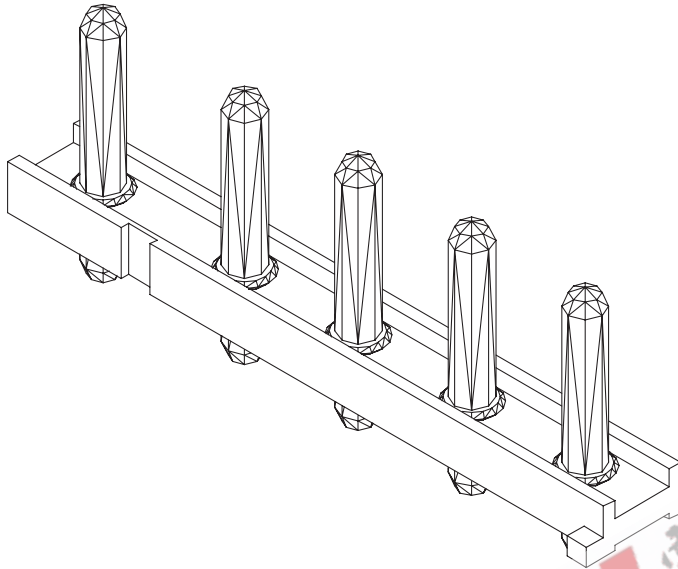


Wire-to-Board  
Wafer

YFW800 Series

DIP

Straight



## Material

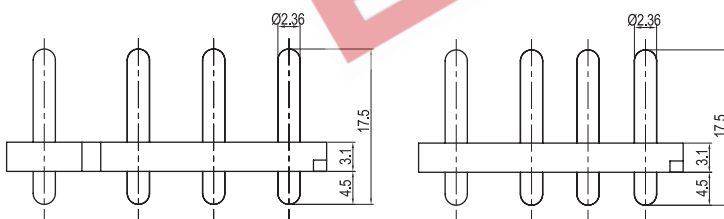
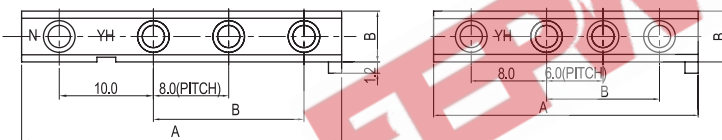
I/NO	DESCRIPTION	TITLE	MATERIAL
1	WAFER PIN	YFW800	PA66, UL94 V Grade Brass & Tin-Plated
2	WAFER PIN	YFW800-NNA	PA66, UL94 V Grade Brass & Tin-Plated

## Available Pin

PARTS NO.	A	B	C
YFW800-01	8.0	-	5.4
YFW800-02	18.0	-	5.4
YFW800-03	26.0	8.0	6.6
YFW800-04	34.0	16.0	6.6
YFW800-04A	28.0	12.0	6.6
YFW800-05	42.0	24.0	6.6
YFW800-06	50.0	32.0	6.6
YFW800-06A	40.0	24.0	6.6

## Specification

ITEM	SPEC
Voltage Rating	AC/DC 250V
Current Rating	AC/DC 7A
Operating Temperature	-25°C ~ +85°C
Contact Resistance	30mΩ MAX
Withstanding Voltage	AC1500V/1min
Insulation Resistance	1000MΩ MIN
Applicable Wire	-
Applicable P.C.B	1.2~1.6mm
Applicable FPC/FFC	-
Solder Height	-
Crimp Tensile Strength	-
UL FILE NO	E108706

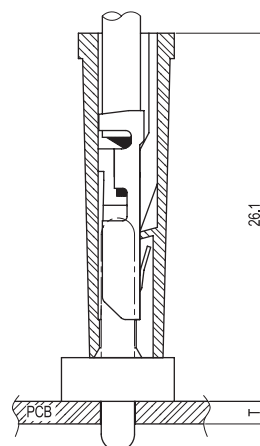


YFW800-NN

YFW800-NNA



PCB LAYOUT



PCB ASS'Y