

## Series 802 Hermetic Receptacles for PCB or Solder Cup

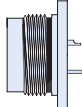
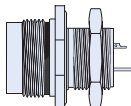
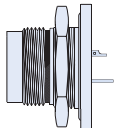


Style 00 Front Mount

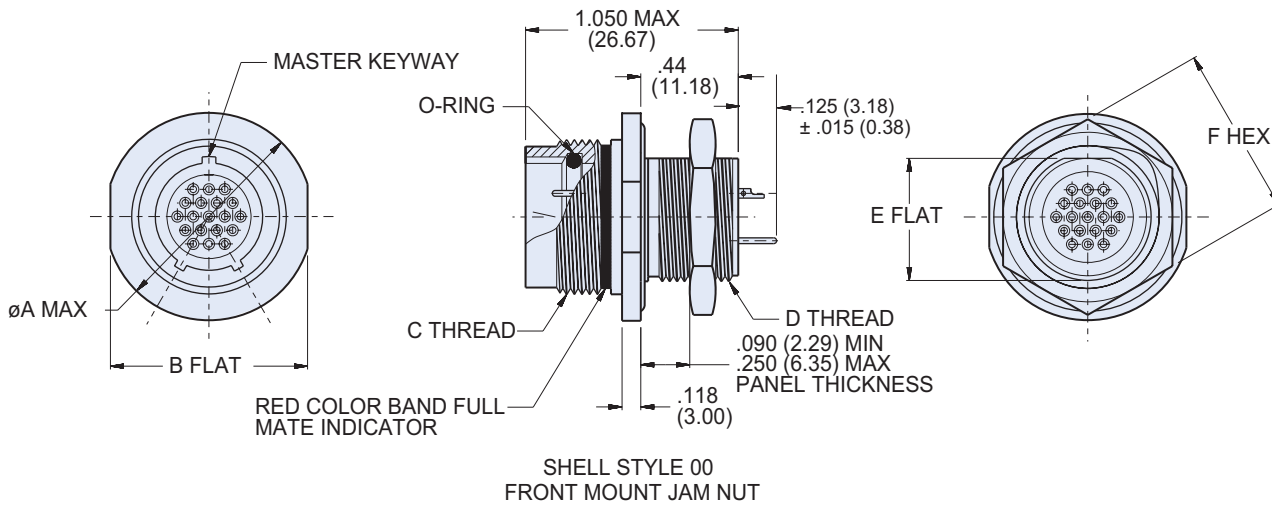
**Series 802 Hermetic Receptacles** feature gold plated iron alloy contacts and compression glass dielectric material. The 316L stainless steel connector shell provides excellent corrosion protection and is suitable for e-beam welding. The Viton® interfacial seal and piston o-ring offer improved resistance to harsh chemicals.

**1 x 10<sup>-6</sup> cc/Second Maximum Helium Leak Rate.** Open face (unmated) pressure rating is 1000 PSI. When mated, Series 802 connectors withstand 3500 PSI hydrostatic pressure.

### HOW TO ORDER SERIES 802 HERMETIC RECEPTACLES

Sample Part Number					
802-013	-00	Z1	6-7	P	A
Series	Shell Style	Shell Material / Finish	Shell Size- Insert Arrangement	Contact Type	Shell Key Position
<b>802-013</b> Series 802 Hermetic Receptacle with Solder Cup or PCB Contacts	 <b>-03</b> Weld Mount	<b>Z1</b> Stainless Steel / Passivated  <b>ZL</b> Stainless Steel / Nickel Plated	<b>5-3</b> 3 #23 Contacts	<b>P</b> Pin, PC Tail  <b>E</b> Pin, Solder Cup	<b>A</b> Normal  <b>B</b> Pos. B  <b>C</b> Pos. C  <b>D</b> Pos. D
			<b>6-1</b> 1 #16 Contact		
			<b>6-4</b> 4 #23 Contacts		
			<b>6-7</b> 7 #23 Contacts		
			<b>7-1</b> 1 #12 Contact		
			<b>7-10</b> 10 #23 Contacts		
	<b>8-13</b> 13 #23 Contacts				
	<b>9-4</b> 4 #16 Contacts				
	<b>9-19</b> 19 #23 Contacts				
	<b>10-26</b> 26 #23 Contacts				
	<b>12-2</b> 2 #12 Contacts				
	<b>12-37</b> 37 #23 Contacts				
	<b>14-55</b> 55 #23 Contacts				
<b>15-85</b> 85 #23 Contacts					
 <b>-00</b> Jam Nut for Front Panel Mounting	 <b>-07</b> Jam Nut for Rear Panel Mounting				

802-013-00 Hermetic Receptacle for PCB or Solder Cup

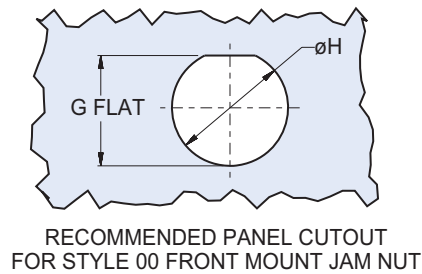


DIMENSIONS

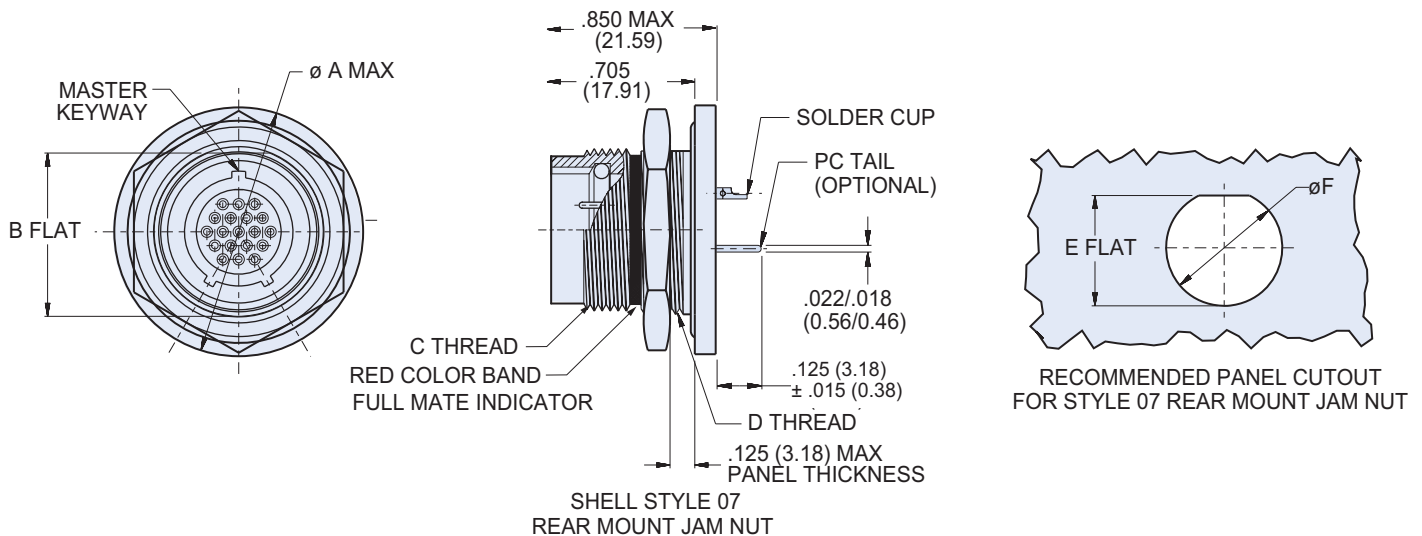
Shell Size	A Max.		B Flat		C Mating Threads	D Threads	E Flat		F Hex		G Flat		Ø H	
	In.	mm.	In.	mm.			In.	mm.	In.	mm.	In.	mm.	In.	mm.
5	.720	18.29	.625	15.88	.438-28 UNEF-2A	.312-28 UN-2A	.281	7.14	.500	12.70	.289	7.34	.322	8.18
6	.780	19.81	.750	19.05	.562-20 UN-2A	.438-28 UN-2A	.344	8.74	.625	15.88	.414	10.52	.448	11.38
7	.910	23.11	.812	20.62	.625-20 UN-2A	.500-32 UN-2A	.469	11.91	.688	17.48	.477	12.12	.510	12.95
8	.960	24.38	.875	22.23	.687-20 UN-2A	.562-28 UN-2A	.531	13.49	.750	19.05	.539	13.69	.572	14.53
9	1.030	26.16	.937	23.80	.750-20 UNEF-2A	.625-28 UN-2A	.594	15.09	.812	20.62	.602	15.29	.635	16.13
10	1.090	27.69	1.000	25.40	.812-20 UNEF-2A	.687-28 UN-2A	.656	16.66	.875	22.23	.664	16.87	.697	17.70
12	1.160	29.46	1.062	26.97	.875-20 UNEF-2A	.750-28 UN-2A	.719	18.26	.938	23.83	.727	18.47	.760	19.30
14	1.340	34.04	1.250	31.75	1.062-20 UN-2A	.938-28 UN-2A	.893	22.68	1.125	28.58	.901	22.89	.948	24.08
15	1.410	35.18	1.312	33.32	1.125-20 UN-2A	1.000-28 UN-2A	.955	24.26	1.188	30.18	.963	24.46	1.010	25.65

SERIES 802 RECEPTACLE KEY POSITIONS

Key Position	Key Rotation	
	A°	B°
Normal (A)	150°	210°
B	75°	210°
C	95°	230°
D	140°	275°



## 802-013-07 Hermetic Receptacle for PCB or Solder Cup



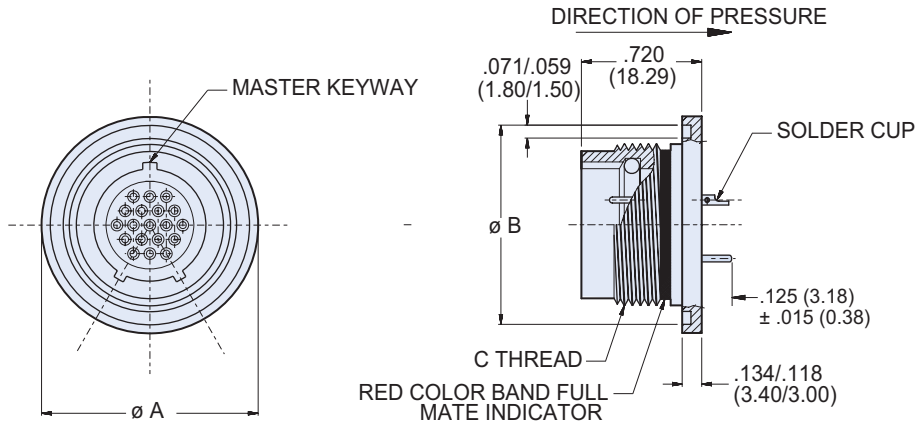
### DIMENSIONS

Shell Size	A Max.		B Flat		C Mating Threads	D Threads	E Flat		Ø F	
	In.	mm.	In. ± .003	mm. ± 0.08			In. ± .003	mm. ± 0.08	In.	mm.
5	.885	22.48	.466	11.84	.438-28 UNEF	.500-32 UN-2A	.477	12.12	.510	12.95
6	1.010	25.65	.591	15.01	.562-20 UN	.625-28 UN-2A	.602	15.29	.635	16.13
7	1.072	27.23	.653	16.59	.625-20 UN	.687-28 UN-2A	.664	16.87	.697	17.70
8	1.135	28.83	.716	18.19	.687-20 UN	.750-28 UN-2A	.727	18.47	.760	19.30
9	1.195	30.35	.778	19.76	.750-20 UNEF	.812-28 UN-2A	.789	20.04	.822	20.88
10	1.260	32.00	.827	21.01	.812-20 UNEF	.875-28 UN-2A	.838	21.29	.885	22.48
12	1.322	33.58	.890	22.61	.875-20 UNEF	.938-28 UN-2A	.901	22.89	.948	24.08
14	1.510	38.25	1.077	27.36	1.062-20 UN	1.125-28 UN-2A	1.088	27.64	1.135	28.83
15	1.572	39.93	1.140	28.96	1.125-20 UN	1.188-28 UN-2A	1.151	29.24	1.198	30.43

### SERIES 802 RECEPTACLE KEY POSITIONS

Key Position	Key Rotation	
	A°	B°
Normal (A)	150°	210°
B	75°	210°
C	95°	230°
D	140°	275°

802-013-03 Hermetic Receptacle for PCB or Solder Cup

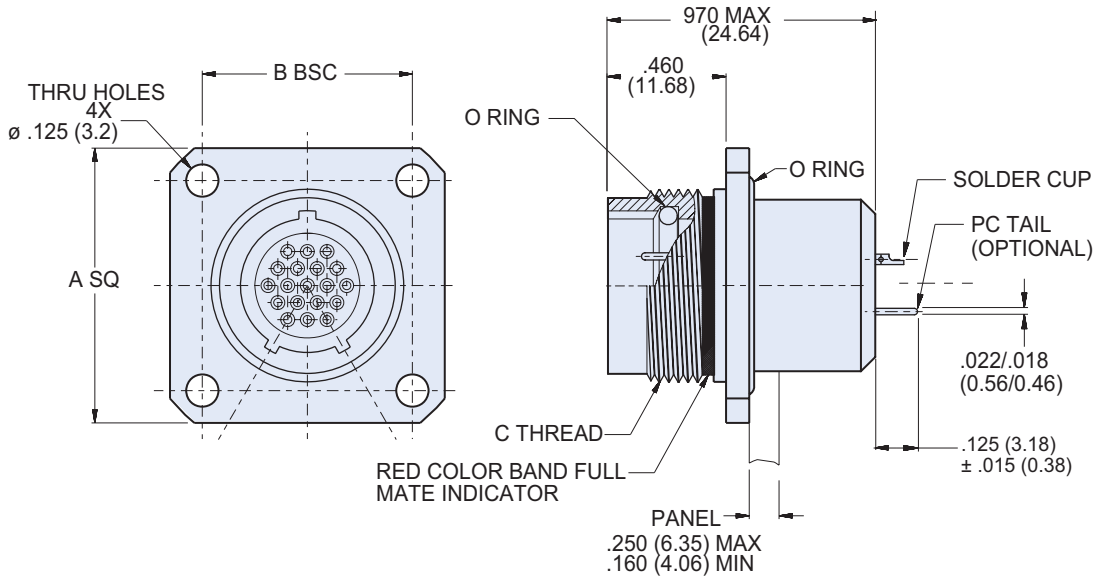


SHELL STYLE 03  
WELD MOUNT

DIMENSIONS					
Shell Size	Ø A		Ø B		C Mating Threads
	In. ± .006	mm. ± 0.15	In. ± .006	mm. ± 0.15	
5	.788	20.02	.745	18.92	.438-28 UNEF
6	.912	23.16	.869	22.07	.562-20 UN
7	.975	24.77	.933	23.70	.625-20 UN
8	1.038	26.37	.995	25.27	.687-20 UN
9	1.100	27.94	1.057	26.85	.750-20 UNEF
10	1.162	29.53	1.119	28.42	.812-20 UNEF
12	1.225	31.12	1.182	30.02	.875-20 UNEF
14	1.412	35.86	1.369	34.77	1.062-20 UN
15	1.475	37.47	1.432	36.37	1.125-20 UN

SERIES 802 RECEPTACLE KEY POSITIONS			
Key Position	Key Rotation		Diagram
	A°	B°	
Normal (A)	150°	210°	
B	75°	210°	
C	95°	230°	
D	140°	275°	

## 802-013-02 Hermetic Receptacle for PCB or Solder Cup



DIMENSIONS					
Shell Size	A Square		B Bsc.		C Mating Threads
	In.	mm.	In.	mm.	
5	.885	22.48	.500	12.70	.438-28 UNEF
6	1.010	25.65	.625	15.88	.562-20 UN
7	1.072	27.23	.688	17.48	.625-20 UN
8	1.135	28.83	.750	19.05	.687-20 UN
9	1.195	30.35	.812	20.62	.750-20 UNEF
10	1.260	32.00	.875	22.23	.812-20 UNEF
12	1.322	33.58	.938	23.83	.875-20 UNEF
14	1.510	38.25	1.125	28.58	1.062-20 UN
15	1.572	39.93	1.188	30.18	1.125-20 UN

### SERIES 802 RECEPTACLE KEY POSITIONS

Key Position	Key Rotation	
	A°	B°
Normal (A)	150°	210°
B	75°	210°
C	95°	230°
D	140°	275°

### SERIES 802 SQ FLANGE PANEL CUTOUT

