

# Series 800 "Mighty Mouse" with UN Mating Thread Right Angle PCB Receptacle Headers 800-032-07

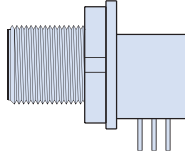


Right Angle PCB Receptacle

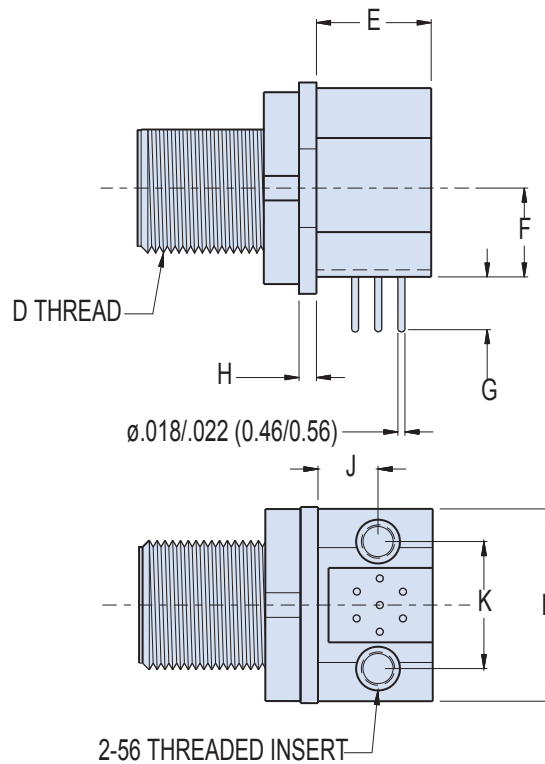
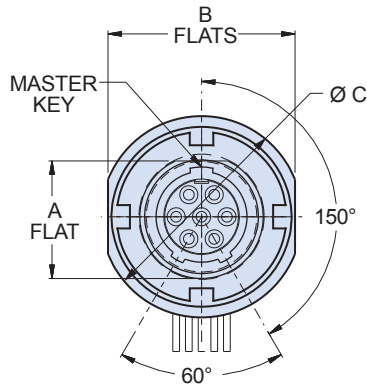
Glenair's right angle 800-032 connectors offer military grade performance in a small, economical package. Ideal for 100/1000BASE-T or IEEE 1394, these connectors are rated for MIL-STD-810 Method 512 immersion. Eliminate the extra labor to install flex or wire jumpers from your board to conventional mil spec circular connectors.

- Jam Nut Rear Panel Mounting
- Environmentally Sealed
- Threaded Board Mounting Holes

## HOW TO ORDER SERIES 800 RIGHT ANGLE PCB RECEPTACLES

Sample Part Number					
800-032	-07	M	7-10	P	Z
Series	Shell Style	Shell Material / Finish	Shell Size- Insert Arrangement	Contact Type	Shell Key Position
800-032 PCB Receptacle	 -07 Jam Nut	<b>C</b> Aluminum / Black Anodize (Non-Conductive) RoHS Compliant	<b>5-3</b> 3 #23 <b>6-4</b> 4 #23 <b>6-7</b> 7 #23 <b>7-10</b> 10 #23 <b>8-13</b> 13 #23	<b>P</b> Pin	<b>N</b> Normal
		<b>M</b> Aluminum / Electroless Nickel RoHS Compliant		<b>S</b> Socket	<b>X</b> Pos. X
		<b>NF</b> Aluminum / Cadmium with Olive Drab Chromate			<b>Y</b> Pos. Y
		<b>ZN</b> Aluminum / Zinc-Nickel with Olive Drab Chromate			<b>Z</b> Pos. Z
		<b>UCR</b> Aluminum / Zinc-Cobalt with Black Chromate RoHS Compliant			
		<b>ZNU</b> Aluminum / Zinc-Nickel with Black Chromate			
		<b>MT</b> Aluminum / Nickel-PTFE RoHS Compliant			
		<b>Z1</b> Stainless Steel / Passivated RoHS Compliant			

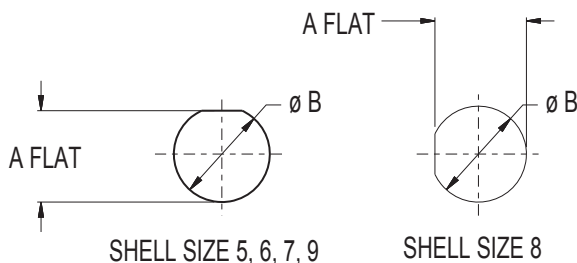
Dimensions in inches (millimeters) and are subject to change without notice.



## DIMENSIONS

Shell Size	A		B		Ø C		D Threads	E		F		G		H		J		K		L	
	In.	mm.	In.	mm.	In.	mm.		In.	mm.	In.	mm.	In.	mm.	In.	mm.	In.	mm.	In.	mm.	In.	mm.
5-3	.289	7.34	.498	12.65	.538	13.67	.3125-28 UN-2A	.260	6.60	.235	5.97	.257	6.53	.050	1.27	.165	4.19	.310	7.87	.486	12.34
6-4	.355	9.02	.560	14.22	.605	15.37	.3750-28 UN-2A	.330	8.38	.232	5.89	.285	7.24	.050	1.27	.224	5.69	.385	9.78	.580	14.73
6-7	.355	9.02	.560	14.22	.605	15.37	.3750-28 UN-2A	.350	8.89	.232	5.89	.285	7.24	.050	1.27	.187	4.75	.408	10.36	.580	14.73
7-10	.414	10.52	.640	16.26	.665	16.89	.4375-28 UNEF-2A	.350	8.89	.325	8.26	.285	7.24	.092	2.34	.170	4.32	.452	11.48	.640	16.26
8-13	.475	12.07	.730	18.54	.770	19.56	.5000-32 UN-2A	.490	12.45	.330	8.38	.285	7.24	.092	2.34	.230	5.84	.490	12.45	.680	17.27
9-19	.532	13.51	.805	20.45	.875	22.23	.5625-32 UN-2A	.490	12.45	.360	9.14	.275	6.99	.092	2.34	.342	8.69	.600	15.24	.800	20.32

## PANEL CUTOUTS FOR RIGHT ANGLE PCB HEADERS



RECOMMENDED PANEL CUTOUT

Shell Size	A Flat		Ø B	
	In.	mm.	In.	mm.
5	.294	7.47	.322	8.18
6	.360	9.14	.386	9.80
7	.419	10.64	.449	11.40
8	.481	12.22	.510	12.95
9	.538	13.67	.574	14.58

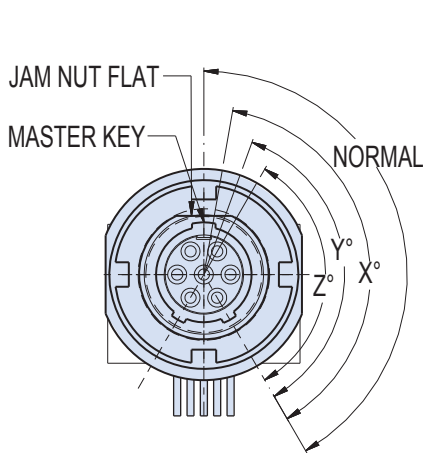
Dimensions in inches (millimeters) and are subject to change without notice.

Series 800 "Mighty Mouse" with UN Mating Thread  
 Right Angle PCB Receptacle Headers  
 800-032-07 Face View

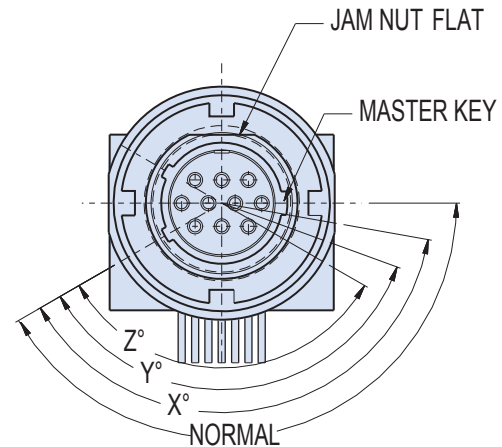


FACE VIEWS OF RIGHT ANGLE PCB HEADERS

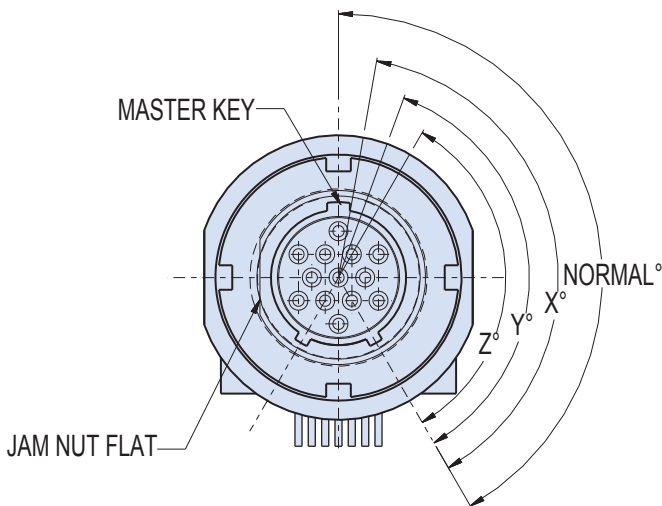
KEY POSITIONS	
Key Position	Key Rotation
Normal (N)	150°
X	140°
Y	130°
Z	120°



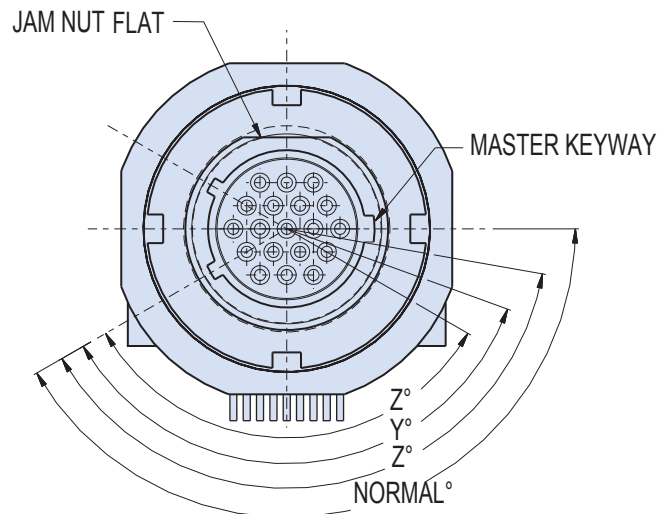
JAM NUT FLAT AND KEYWAY LOCATIONS  
 SHELL SIZE 5 AND 6  
 SOCKET FACE SHOWN



JAM NUT FLAT AND KEYWAY LOCATIONS  
 SHELL SIZE 7 10 POSITION  
 SOCKET FACE SHOWN



JAM NUT FLAT AND KEYWAY LOCATIONS  
 SHELL SIZE 8 13 POSITION  
 SOCKET FACE SHOWN



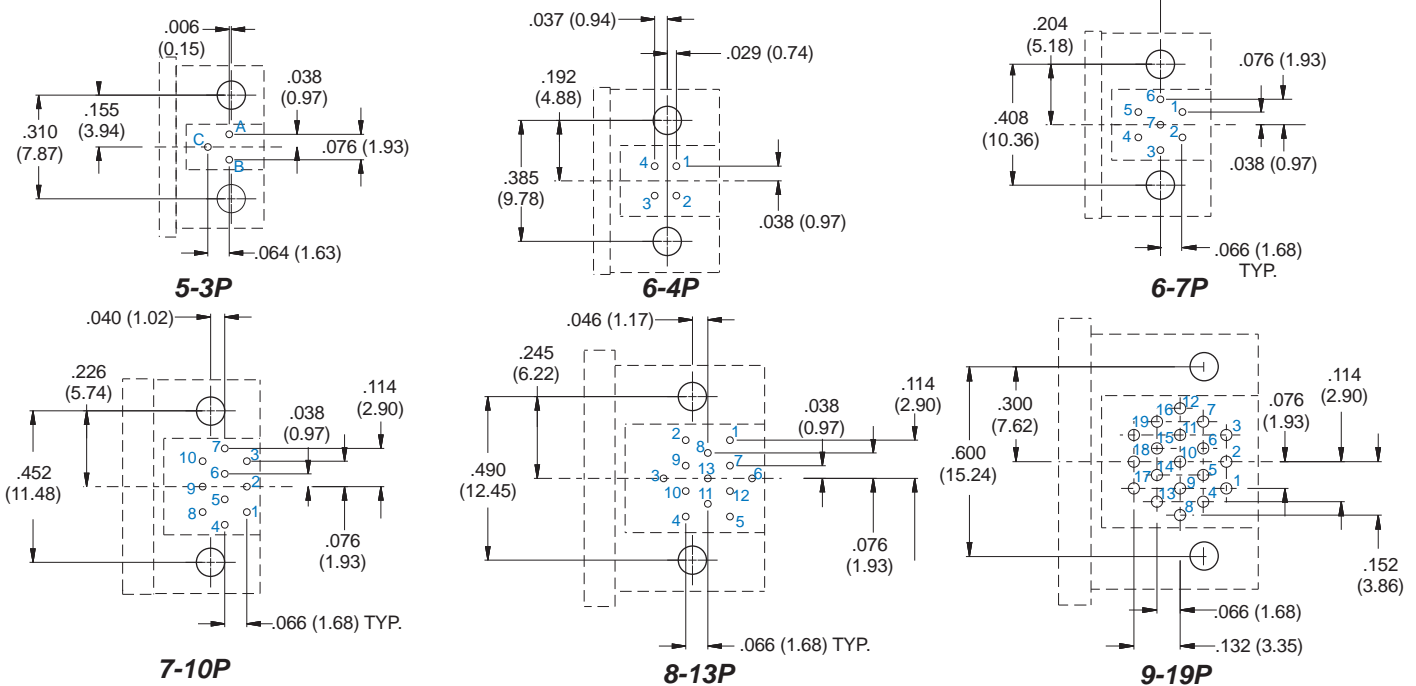
JAM NUT FLAT AND KEYWAY LOCATIONS  
 SHELL SIZE 9 19 POSITION  
 SOCKET FACE SHOWN

Dimensions in inches (millimeters) and are subject to change without notice.

## RIGHT ANGLE PCB FOOTPRINTS: PIN CONNECTORS

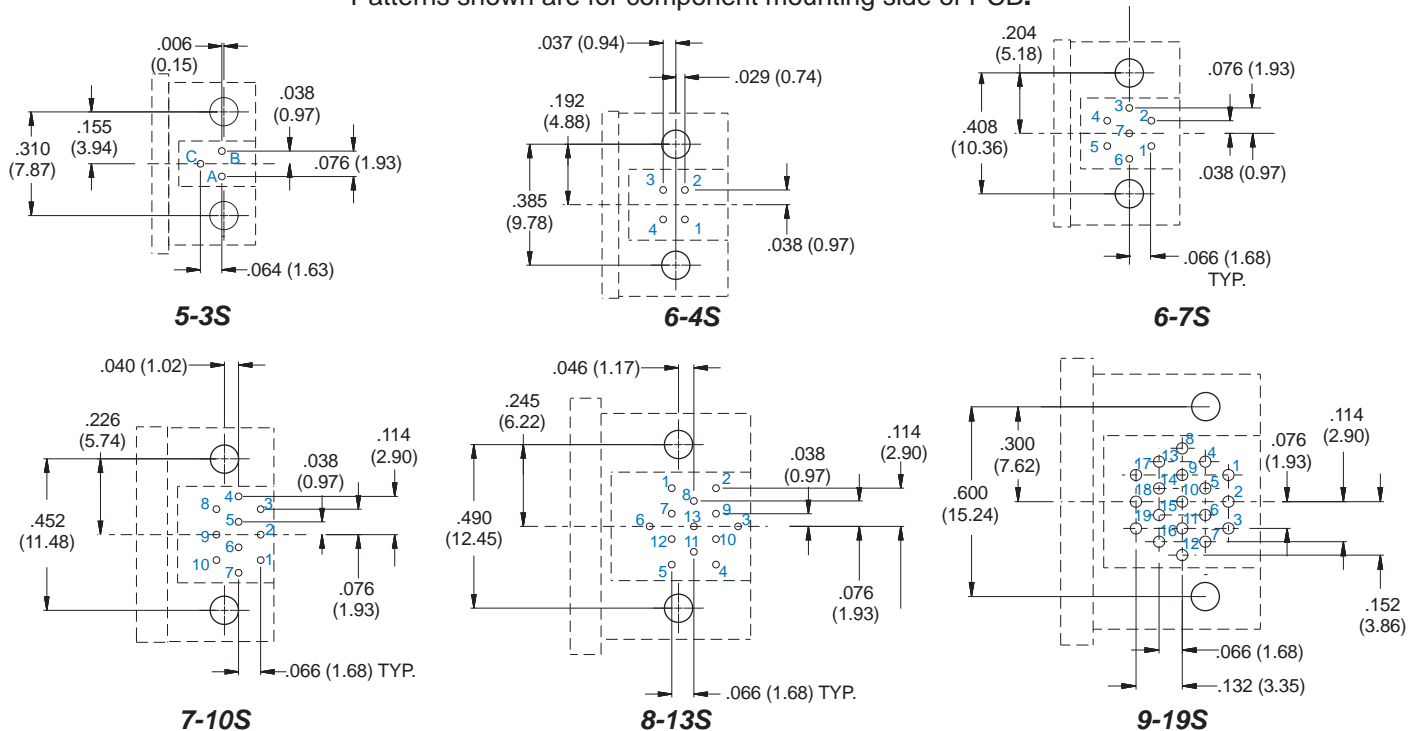
Patterns shown are for component mounting side of PCB.

Contacts are .022 (0.56) max. diameter, mounting holes are .093 (2.36) diameter



## RIGHT ANGLE PCB FOOTPRINTS: SOCKET CONNECTORS

Patterns shown are for component mounting side of PCB.



Dimensions in inches (millimeters) and are subject to change without notice.