

Series 800 "Mighty Mouse" with UN Mating Thread Hermetic Receptacles 800-013



Series 800 Hermetic

Series 800 Hermetic Receptacles feature 304L stainless steel shells, fused vitreous glass insulators and Alloy 52 iron alloy contacts.

Solder Cup Contacts for wire attachment, or **PC Tail Contacts** for attachment to flexible or rigid circuits.

1 X 10⁻⁶ cc/second maximum helium leak rate.

Three Shell Styles: solder mount, jam nut or square flange.

HOW TO ORDER

Sample Part Number

800-013

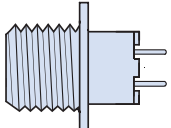
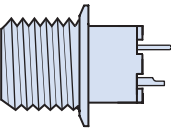
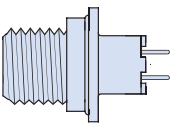
-07

Z1

7-10

P

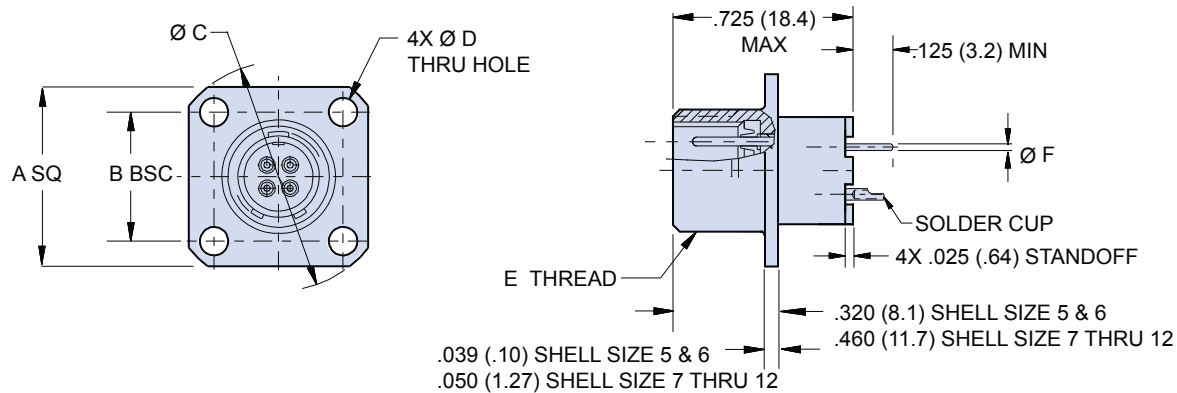
Z

Series	Shell Style	Shell Material / Finish	Shell Size- Insert Arrangement	Contact Type	Shell Key Position				
800-013 Hermetic Receptacle	 -02 Square Flange	Z1 Stainless Steel / Passivated ZL Stainless Steel / Nickel Plated	No. of Contacts				P Pin, Solder Cup C Pin, PC Tail	N Normal X Pos. X Y Pos. Y Z Pos. Z	
			Arr.	#23	#20	#16			#12
			5-3	3					
			6-1			1			
			6-4	4					
			6-7	7					
			7-1						1
			7-10	10					
			8-2			2			
			8-13	13					
	8-200	4	2						
	9-4			4					
	9-19	19							
	9-200	4		2					
	9-201	8	2						
	10-5			5					
	10-26	26							
	10-200	12			1				
	10-201	4			2				
	10-202	8		2					
12-2				2					
12-3				3					
12-7			7						
12-37	37								
12-200	6			2					
12-201	10			2					
	 -03 Solder Mount								
		 -07 Jam Nut							

Dimensions in inches (millimeters) and are subject to change without notice.

Series 800 "Mighty Mouse" with UN Mating Thread Hermetic Connector Dimensions 800-013-02 and 800-013-03

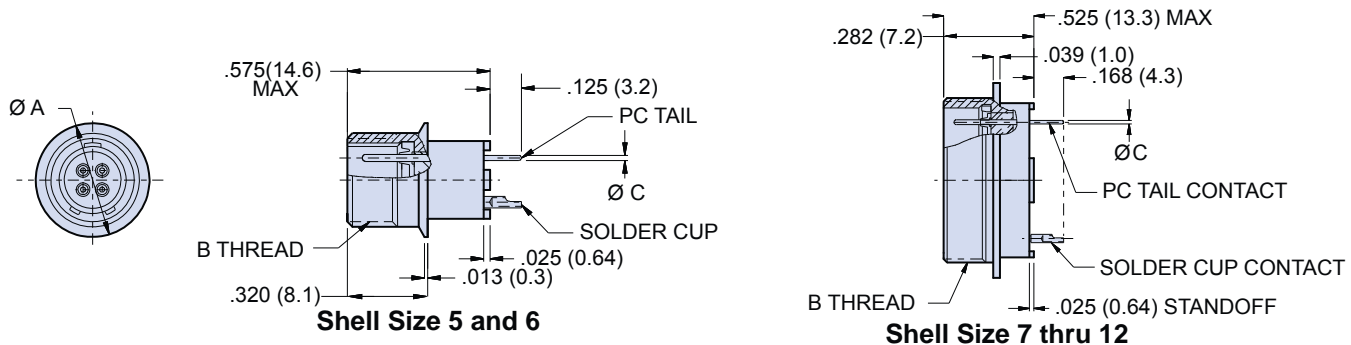
800-013-02 Square Flange Dimensions



800-013-02 SQUARE FLANGE HERMETIC RECEPTACLE DIMENSIONS

Shell Size	A SQ		B		Ø C		Ø D		E Threads Mating	Ø F PC TAIL DIA. ± .002 (0.05)
	In.	mm.	In.	mm.	In.	mm.	In. ± .005	mm. ± 0.13		
5	.527	13.39	.363	9.22	.680	17.27	.094	2.39	.3125-28 UN-2A	Size #22
6	.588	14.92	.423	10.74	.750	19.05	.094	2.39	.3750-28 UN-2A	.020 (0.51)
7	.650	16.51	.483	12.27	.830	21.08	.130	3.30	.4375-28 UNEF-2A	Size #20
8	.710	18.03	.542	13.77	.938	23.83	.130	3.30	.5000-32 UN-2A	.026 (0.66)
9	.938	23.83	.719	18.26	1.250	31.75	.130	3.30	.5625-32 UN-2A	Size #16
10	.938	23.83	.719	18.26	1.250	31.75	.130	3.30	.6250-32 UN-2A	.062 (1.57)
12	1.031	26.19	.812	20.62	1.375	34.93	.130	3.30	.7500-28 UN-2A	Size #12
										.094 (2.34)

800-013-03 Solder Mount Dimensions



DIMENSIONS

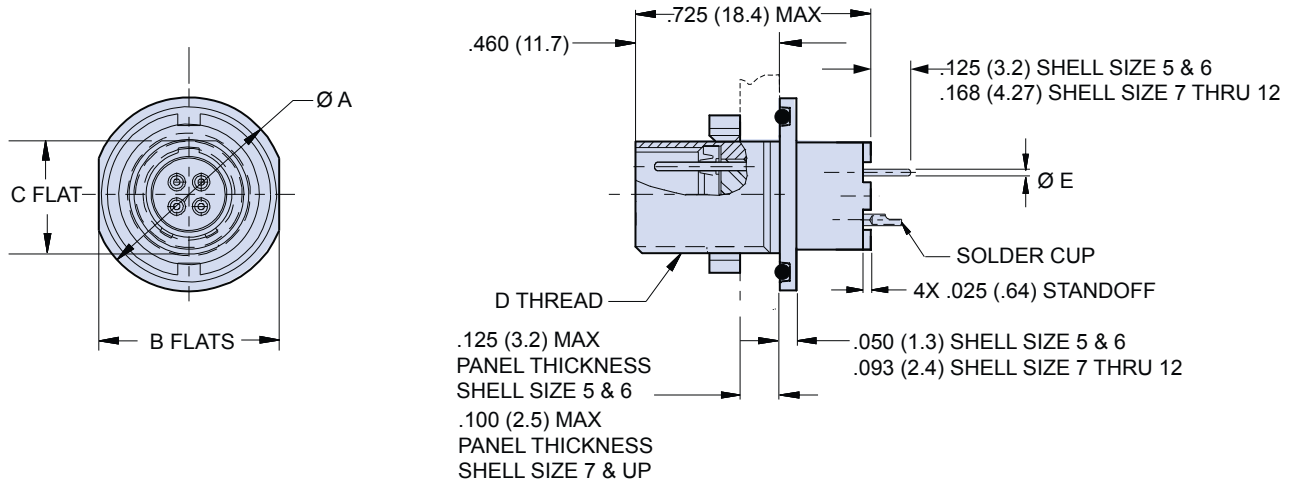
Shell Size	Ø A		B Threads	Ø C PC TAIL DIA. ± .002 (0.05)
	In.	mm.		
5	.400	10.16	.3125-28 UN-2A	Size #22
6	.455	11.56	.3750-28 UN-2A	.020 (0.51)
7	.520	13.21	.4375-28 UNEF-2A	Size #20
8	.650	16.51	.5000-32 UN-2A	.026 (0.66)
9	.764	19.41	.5625-32 UN-2A	Size #16
10	.775	19.69	.6250-32 UN-2A	.062 (1.57)
12	.858	21.79	.7500-28 UN-2A	Size #12
				.094 (2.34)

Dimensions in inches (millimeters) and are subject to change without notice.

CAGE Code 06324

Printed in U.S.A.

Series 800 "Mighty Mouse" with UN Mating Thread Hermetic Connector Dimensions 800-013-07 Jam Nut



DIMENSIONS

Shell Size	Ø A		Ø B		C		D Threads Mating	Ø E PC TAIL DIA. ± .002 (0.05)
	In.	mm.	In.	mm.	In.	mm.		
5	.541	13.74	.500	12.70	.285	7.24	.3125-28 UN-2A	Size #22
6	.610	15.49	.562	14.27	.352	8.94	.3750-28 UN-2A	.020 (0.51)
7	.670	17.02	.635	16.13	.411	10.44	.4375-28 UNEF-2A	Size #20
8	.775	19.69	.735	18.67	.473	12.01	.5000-32 UN-2A	.026 (0.66)
9	.875	22.23	.806	20.47	.530	13.46	.5625-32 UN-2A	Size #16
10	.980	24.89	.940	23.88	.604	15.34	.6250-32 UN-2A	.062 (1.57)
12	1.062	26.97	.986	25.04	.712	18.08	.7500-28 UN-2A	Size #12
								.094 (2.34)

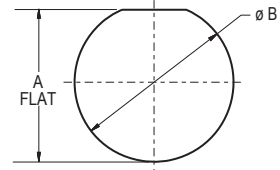
SERIES 800 KEY POSITIONS



Key Position	Key Rotation
Normal (N)	150°
X	140°
Y	130°
Z	120°

Shell size 5 and 6: master key is located at top dead center for normal (N) position. Shell size 7 thru 12: master key is rotated 90° from TDC.

SERIES 800 PANEL CUTOUTS



Shell Size	A Flat		Ø B	
	In.	mm.	In.	mm.
5	.302 / .298	7.67 / 7.57	.318	8.08
6	.365 / .361	9.27 / 9.17	.386	9.80
7	.424 / .420	10.77 / 10.67	.449	11.40
8	.486 / .482	12.34 / 12.24	.510	12.95
9	.543 / .539	13.79 / 13.69	.574	14.58
10	.617 / .613	15.67 / 15.57	.635	16.12
12	.725 / .721	18.42 / 18.31	.760	19.30

Dimensions in inches (millimeters) and are subject to change without notice.